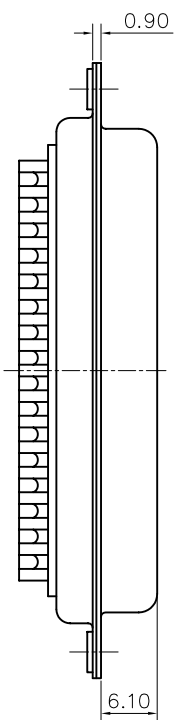
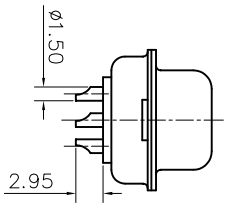
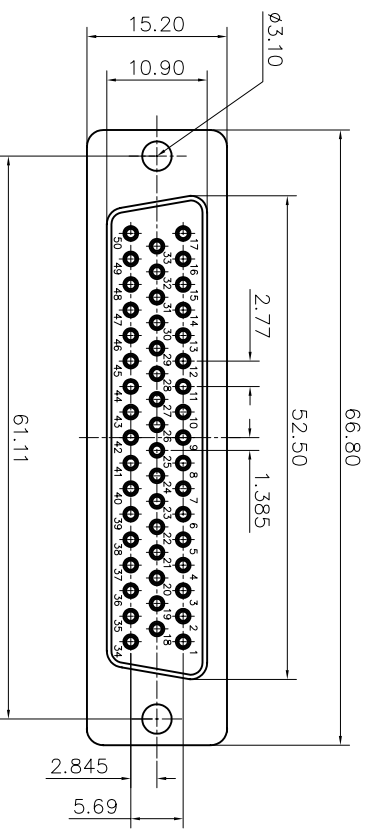


This document is the property of Amphenol Corporation and is intended for use only in the specific application for which it was prepared. It is not to be distributed, reproduced or used, in whole or in part, for any other application without the prior consent of Amphenol Corporation. No right is granted to disclose or to use any information in this document.



Customer drawing

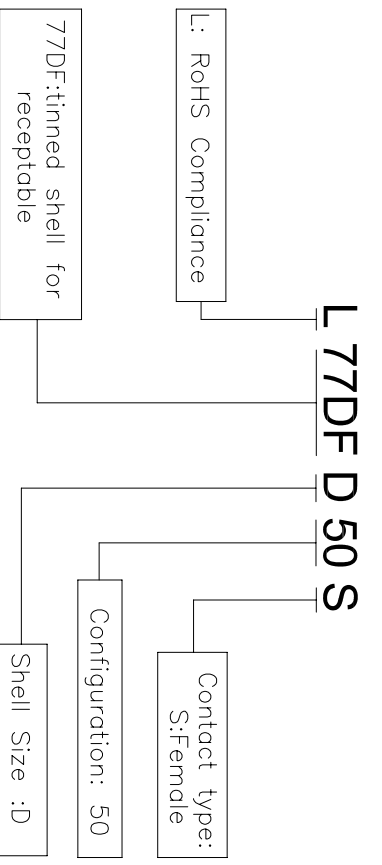
| REVISIONS | | | | |
|-----------|-----|-------------------------------|----------|----------|
| S/N | ECN | DESCRIPTION | DATE | APPROVED |
| 1 | | Release manufacturing drawing | 01/02/08 | IP |

D-SUB TECHNICAL DATA

SHELL : Steel 2.5um (100u") min tin over 1.25um (50u") min nickel
 BODY : Glass filled thermoplastic.
 Flame retardant to UL94 V-0 Color Black
 CONTACTS : Copper alloy
 0.4um (15u") min gold over 1.25um (50u") min nickel
 ELECTRICAL : Voltage rating : 1000 V RMS at 50 Hz
 Current rating 7.5A.
 Insulation resistance >5000 M Ohms
 Contact resistance 20 mOhms max.
 CLIMATIC : Temperature range -55 °C up to 125°C.
 Damp heat 56 days/(40 °C-95% HR)
 MARKING : Amphenol...(Series No.)
 Commercial reference
 Manufacturing date

PRODUCT CODE

L 77DF D 50 S



| DIMENSIONS SPECIFIED | | APPROVAL | | DATE | |
|----------------------------|--------|----------|---------------|----------|--|
| TOLERANCES | U.S. | DRAWN | Checked and | 01/02/08 | |
| | METRIC | CHECKED | 10k. verified | 01/02/08 | |
| | | | CHECKED | | |
| X | ±0.50 | | | | |
| XX | ±0.30 | | | | |
| XXX | ±0.20 | | | | |
| ANGLES | ±0.5° | | | | |
| FOR MATERIALS AND FINISHES | | | | | |
| SEE REMOTE SHARP EDGES | | | | | |
| DIMENSIONS | | | | | |
| THICKNESS | | | | | |
| ANGLE OF PROJECTION | | | | | |
| SCALE | | | | | |
| SIZE | | | | | |
| DRAWING NO. | | | | | |
| REV. | | | | | |
| SHEET | | | | | |
| OF | | | | | |

Amphenol

Machined contacts connector, DF series

SIZE: A4
 SCALE: NONE
 SHEET 1 OF 1

X-ON Electronics

Largest Supplier of Electrical and Electronic Components

Click to view similar products for [D-Sub Standard Connectors](#) category:

Click to view products by [Amphenol](#) manufacturer:

Other Similar products are found below :

[DCM37S732N](#) [DAM15P500](#) [DEV09S364GTLF](#) [DEM09P032N](#) [DDM50P732N](#) [DAM15S332N](#) [173109-2218](#) [173109-2466](#) [173109-2436](#)
[173109-2435](#) [56F706-005-LI](#) [56F711-015](#) [015-0341-000](#) [015-0372-008](#) [015-8544-011](#) [017041-0005](#) [020419-0104](#) [012-0515-000](#) [012-9507-](#)
[034](#) [012-9507-114](#) [012-9534-001](#) [020745-0008](#) [609-25P](#) [M24308/2-23Z](#) [M243082310F](#) [M243082410F](#) [M243082411F](#) [M24308/4-21](#)
[CT1A18-11PSA206](#) [CT1N36-5SC](#) [CT2-16S-17PS](#) [CT2-20-15PCAU](#) [CT2-24-12PS](#) [CT2-24-28PSF127A206](#) [CT2-32-9PC](#) [CT6F9767-14-4-](#)
[14S-5PC](#) [CT6FA10SL-4PS](#) [CT7-18-10SC](#) [CT7-18-10SCAU](#) [CT7-18-12SCAU](#) [CT7-18-1PC](#) [CT7-18-1PCAU](#) [CT7-18-21SCAU](#) [M83513/01-](#)
[FC](#) [M83723/76W24619 L/C](#) [M85049/48-3-2F](#) [69001-865](#) [6STD09PCM99B70X](#) [6STD09SCM99B30X](#) [6STD09SCT99S40X](#)