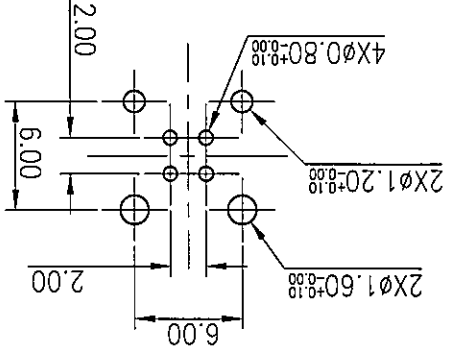
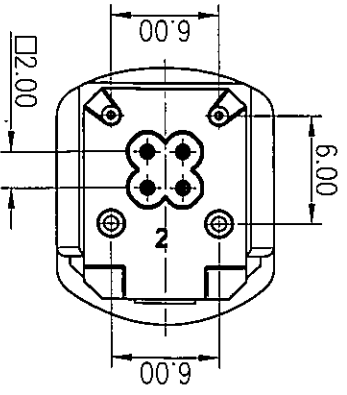
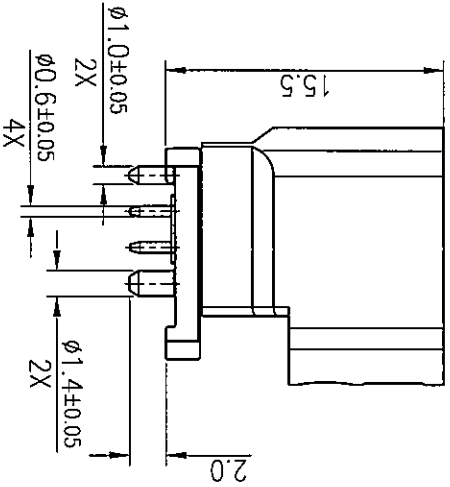
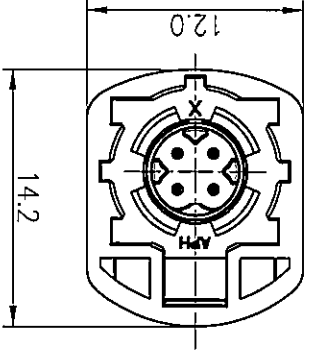
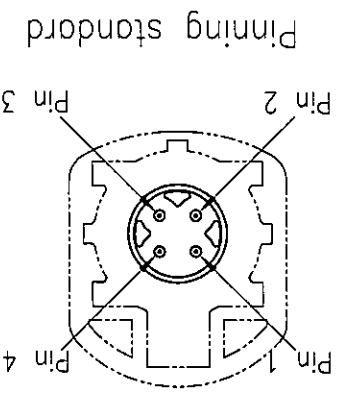
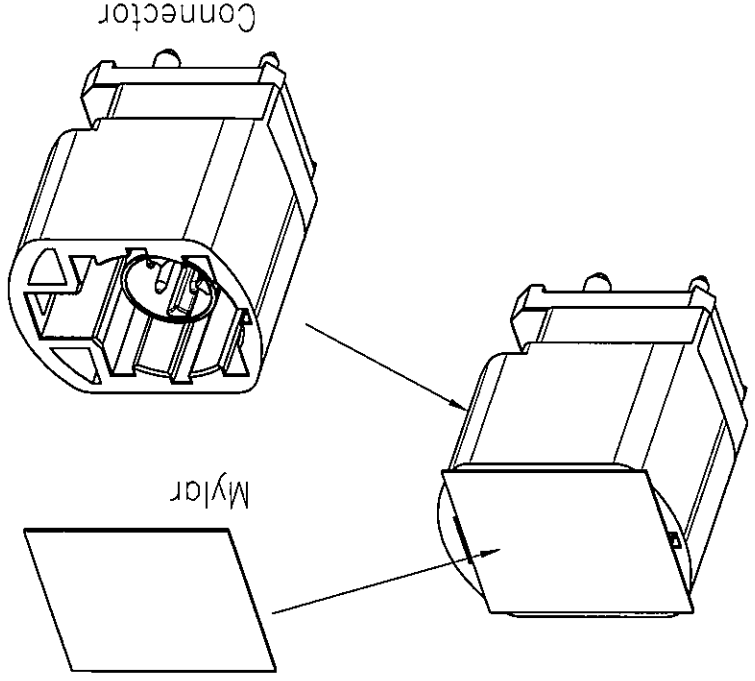
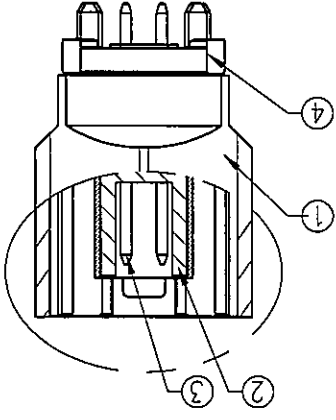


| PLUG | CODING        | COLOR | RAL       |
|------|---------------|-------|-----------|
| A    | JET BLACK     |       | SIM. 9005 |
| B    | CREAM         |       | SIM. 9001 |
| C    | SIGNAL BLUE   |       | SIM. 5005 |
| D    | CLARET VIOLET |       | SIM. 4004 |
| E    | LEAF GREEN    |       | SIM. 6002 |
| F    | NUT BROWN     |       | SIM. 8011 |
| Z    | WATER BLUE    |       | SIM. 5021 |

TABLE 1



RECOMMENDED PCB LAYOUT TOP VIEW  
 TOLERANCE:±0.05(PCB THICKNESS=1.6±0.15mm)



Notes:

- Material: ① Housing: High temperature Thermoplastic,color see table 1. ② Dielectric: High temperature thermoplastic,color black. ③ Center contacts: Copper alloy. ④ Outer contact : Zinc alloy.
- Finish: ③ Center contacts: 0.15µm Min gold mating area; gold flash on solder tail. ④ Outer contact : 1.25-6µm matte tin on solder tail.
- RoHS compliant.
- Order P/N system:

HSD NXSP PCB14X  
 Coding: See table 1  
 Packing method:  
 A- Packing by tape & reel  
 B- Packing by tray  
 C- In bulk

**UNLESS OTHERWISE SPECIFIED**

TOLERANCES U.S. METRIC  
 .X +/-  
 .XX +/-  
 .XXX +/-  
 FRACTIONS +/-  
 ANGLES +/-  
 S

FOR MATERIALS AND FINISHES SEE NOTES  
 REMOVE SHARP EDGES  
 DIMENSIONS U.S. INCHES METRIC MM

ANGLE OF PROJECTION

DRAWING FILE :  
 S:\PE\HSD\DRAWING\HSD\HSDNXSPPCB14X-2

DRAWN: *Kaka Yang* 2/2'16  
 CHECKED: *Wu* 2/2'16  
 DATE

APPROVAL

Amphenol

TITLE  
 HSD VERTICAL PLUG CONNECTOR  
 NORTH LOCATION

SIZE DRAWING NO. A3 HSDNXSPPCB14X  
 REV. 2

SCALE N/A  
 SHEET 1 OF 1

CUSTOMER DRAWING

This document is the property of Amphenol Corporation and is delivered on the express condition that it is not to be disclosed, reproduced or used, in whole or in part, for manufacture or sale by anyone other than Amphenol Corporation without its prior consent. & that no right is granted to disclose or to use any information in this document.

| REVISIONS |        |                     |        |
|-----------|--------|---------------------|--------|
| SYM       | ECN    | DESCRIPTION         | DATE   |
| 2         | HK7312 | RELEASE TO CUSTOMER | 2/2'16 |
| IP        |        | APPROVED            |        |

## X-ON Electronics

Largest Supplier of Electrical and Electronic Components

*Click to view similar products for [Automotive Connectors](#) category:*

*Click to view products by [Amphenol](#) manufacturer:*

Other Similar products are found below :

[003-018-000](#) [600858](#) [60403001](#) [60993906-B](#) [60993913-B](#) [629515004020001](#) [M902-2131](#) [M902-2161](#) [M902-2344](#) [72.330.1035.1](#)  
[73.353.4028.0](#) [F118010](#) [F119300-B](#) [F132210](#) [F132210-B](#) [F166900](#) [F180100](#) [F258300](#) [F258300-B](#) [F294300-B](#) [F339100](#) [F339700](#) [F358300-](#)  
[B](#) [F374110](#) [F407400](#) [F412210](#) [F427600](#) [F444110](#) [F487000](#) [F495100-B](#) [F500900-B](#) [F509500B-B](#) [770444-1](#) [776880-1](#) [827153-1](#) [881735-1](#)  
[8N1515-32-24P](#) [9-1326727-8](#) [9-1326729-8](#) [925467-1](#) [925474-1](#) [928905-1](#) [936398-2](#) [964562-1](#) [964562-4](#) [964731-2](#) [965051-1](#) [968782-1](#)  
[GT17SA-8DS-HU](#) [GT17VS-10DP-5.2CF](#)