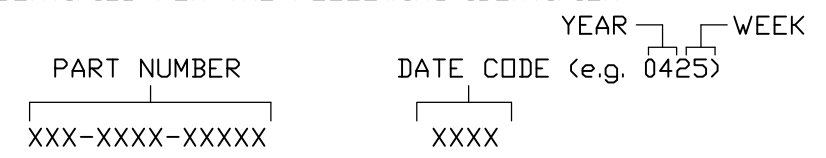


THIS DRAWING IS UNPUBLISHED. RELEASED FOR PUBLICATION  
 © COPYRIGHT 2006 BY TYCO ELECTRONICS CORPORATION. ALL RIGHTS RESERVED.

LOC	DIST	REVISIONS					
GP	00	P	LTR	DESCRIPTION	DATE	DWN	APVD
			B	REVISED PER ECO-06-030075	DO	GIP	DO

8. ITEMS PROVIDED TO THIS SPECIFICATION TO BE PERMANENTLY IDENTIFIED PER THE FOLLOWING IDENTIFIER:



7. RECOMMENDED PRESSING TOOL:  
 FIX00058 FOR PART NUMBER 285-0112-01300.  
 CONTACT ELCON FOR TOOLING QUOTE OR TO ORDER.

6. EXAMPLE PCB CONFIGURATION.

5. THIS 2X2 SEGMENT POWER AND SIGNAL CONFIGURATION SHOWN IS FOR REFERENCE ONLY. COMBINATION OF MULTIPLE NUMBERS OF 2 AND 3 SEGMENT MODULES COULD BE USED PER USER PREFERENCE. OVERALL COMBINATION SHOULD NOT EXCEED 8.0" IN LENGTH.

4. SOCKETS ACCEPT 1.6 [.062] ±10% THICK PC BOARD.

3. FINISHES:

CONTACTS: SELECTIVE GOLD .000030" MIN THK OVER NICKEL .000040" MIN THK.  
 TERMINALS: TIN PLATE, MATTE FINISH, .000100" MINIMUM THICKNESS

2. MATERIALS:

INSULATORS: THERMOPLASTIC, GLASS REINFORCED, COLOR-BLACK, UL94V-0 FLAMMABILITY RATED.  
 CONTACTS: PHOSPHOR BRONZE ALLOY

1. PART NUMBER CHANGES AND OR DESIGN CHANGES AFFECTING ITEM INTERCHANGEABILITY REQUIRE PRIOR ELCON APPROVAL AND AUTHORIZATION BY REVISION TO THIS DRAWING.

NOTES: UNLESS OTHERWISE SPECIFIED;

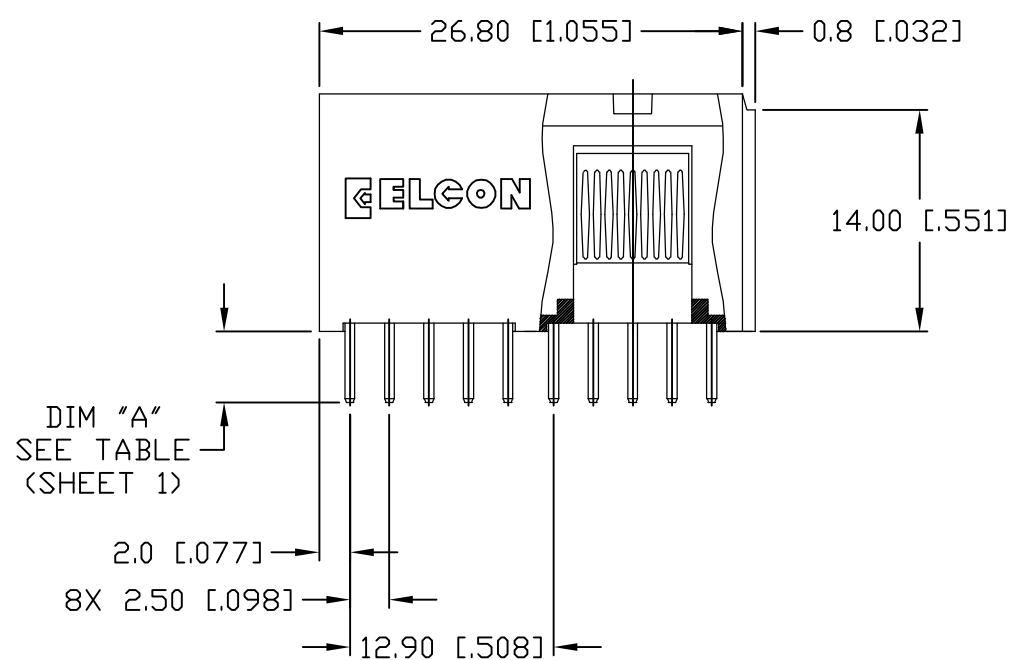
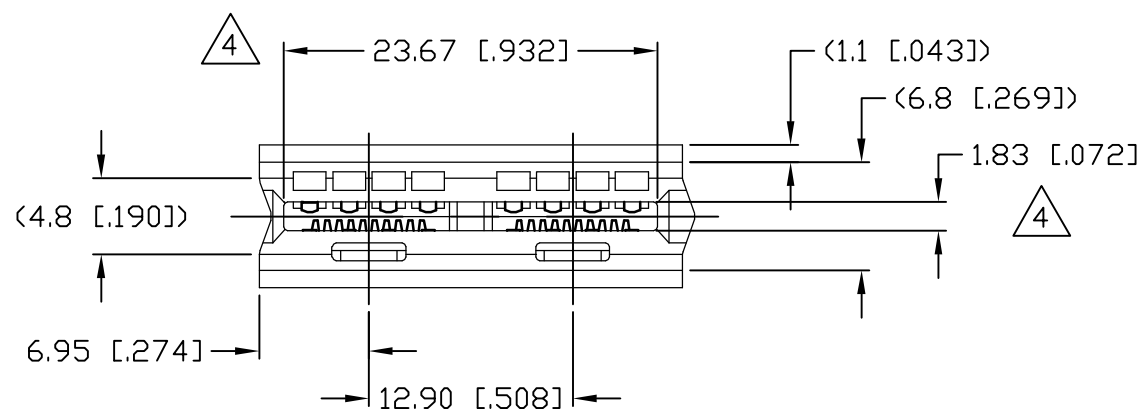
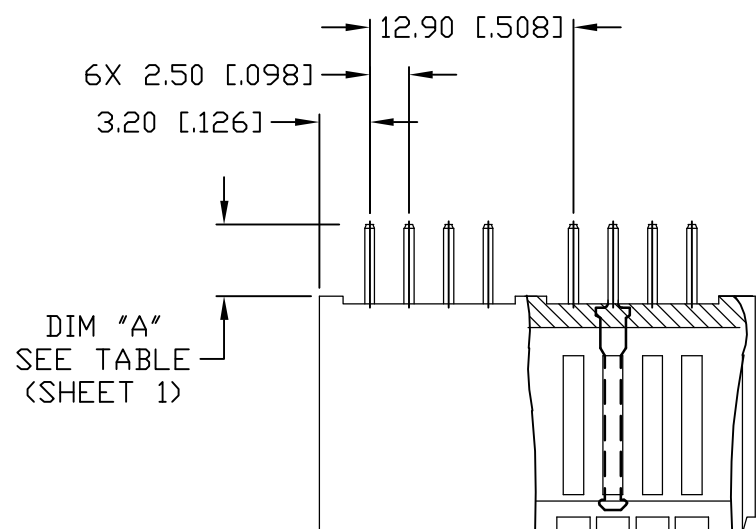
9. PART NUMBER INFORMATION

CONNECTOR	TYCO PART NUMBER	TERMINATION TYPE	PC TAIL LENGTH DIM "A"	RECOMMENDED MOUNTING BOARD	MATING BOARD
SOCKET	6643460-1	SOLDER TAIL (SHORT)	3.56 [.140] 2.54 [.100]	1.6 [.062] THICK	1.6 [.062] THICK
SOCKET	6643460-2	SOLDER TAIL (STANDARD)	5.08 [.200] 4.06 [.160]	3.2 [.125] OR THINNER	1.6 [.062] THICK
SOCKET	6643460-3	COMPLIANT TAIL	5.08 [.200] 4.06 [.160]	2.3 [.093] OR THICKER	1.6 [.062] THICK

THIS DRAWING IS A CONTROLLED DOCUMENT.		DWN G.PETERS 04JAN2007	Tyco Electronics Corporation Harrisburg, PA 17105-3608		
DIMENSIONS: mm		CHK D.ORRIS 04JAN2007	NAME SOCKET CONNECTOR, CROWN EDGE		
		APVD S.FLICKINGER 04JAN2007	PRODUCT SPEC -		
TOLERANCES UNLESS OTHERWISE SPECIFIED:		APPLICATION SPEC -			
0 PLC ± - 1 PLC ± .5 [.010] 2 PLC ± .25 [.020] 3 PLC ± - 4 PLC ± - ANGLES ± .5		SIZE A3		CAGE CODE 00779	DRAWING NO C-6643460
MATERIAL -		WEIGHT -		RESTRICTED TO -	
CUSTOMER DRAWING			SCALE 1:1	SHEET 1 OF 6	REV B

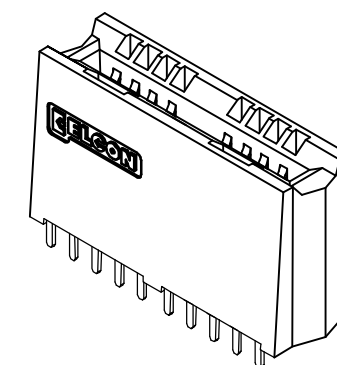
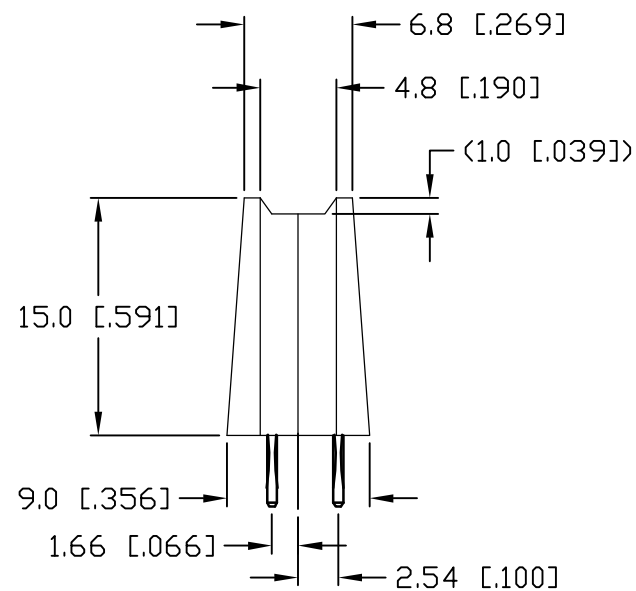
THIS DRAWING IS UNPUBLISHED. RELEASED FOR PUBLICATION  
 © COPYRIGHT 2006 BY TYCO ELECTRONICS CORPORATION. ALL RIGHTS RESERVED.

LOC	DIST	REVISIONS					
GP	00	P	LTR	DESCRIPTION	DATE	DWN	APVD
		-	-	SEE SHEET 1	-	-	-



DIM "A"  
SEE TABLE  
(SHEET 1)

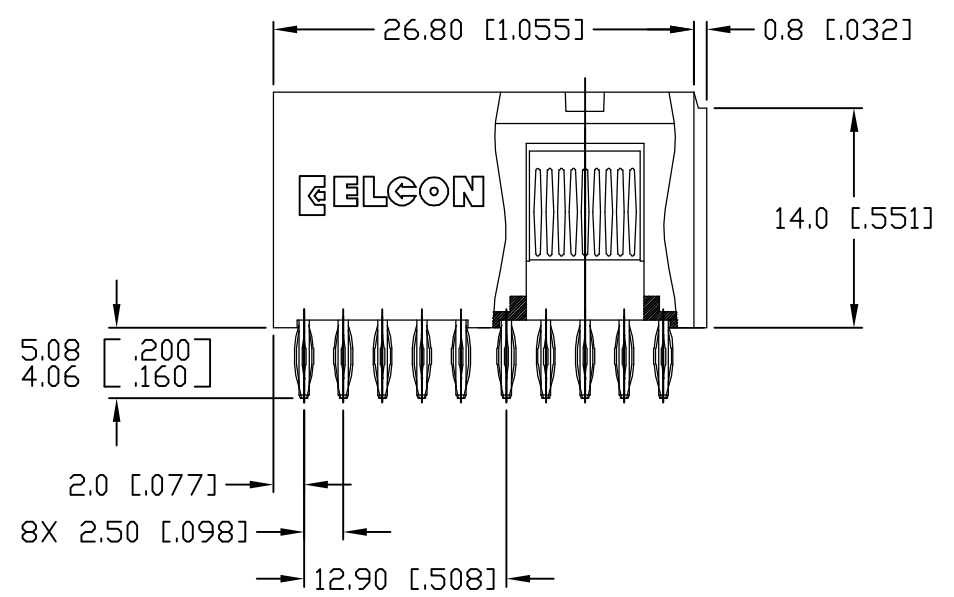
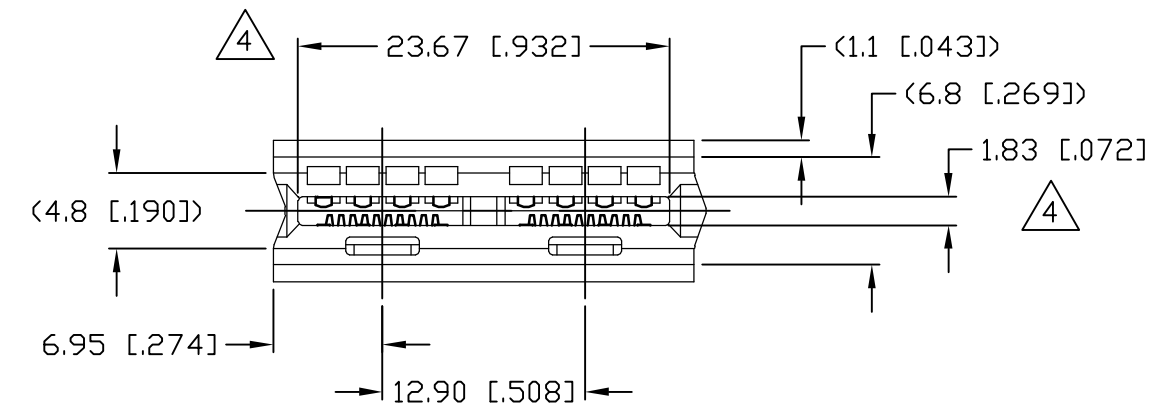
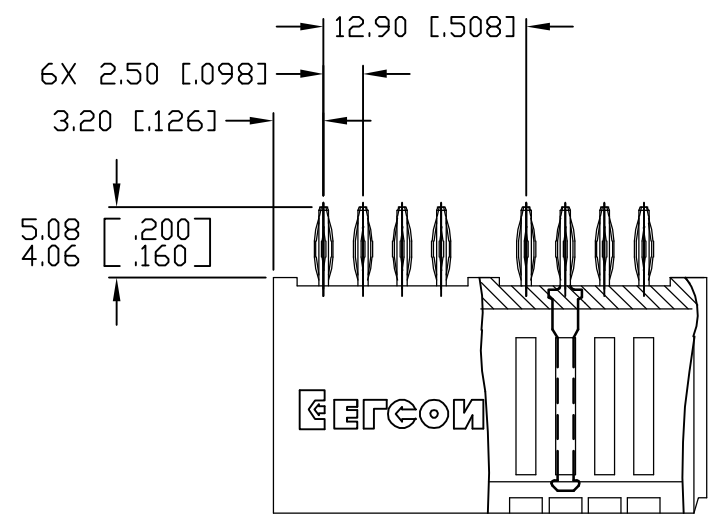
VIEW SHOWN (SOLDER TAILS)  
P/N'S 6643460-1 & -2



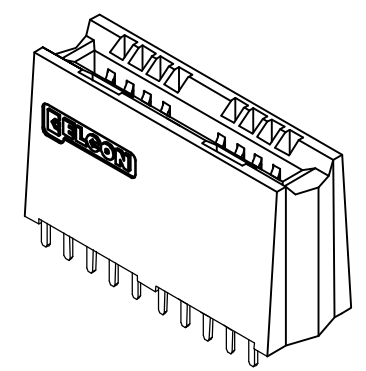
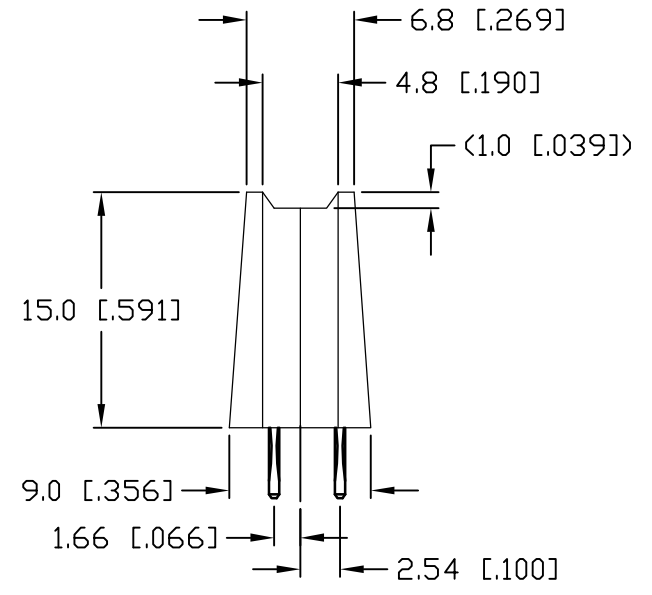
THIS DRAWING IS A CONTROLLED DOCUMENT.		DWN G.PETERS	04JAN2007	<b>tyco</b> Tyco Electronics Corporation	
		CHK D.ORRIS	04JAN2007	<b>Electronics</b> Harrisburg, PA 17105-3608	
		APVD S.FLICKINGER	04JAN2007	NAME	
		PRODUCT SPEC		SOCKET CONNECTOR, CROWN EDGE	
		APPLICATION SPEC		-	
		SIZE	CAGE CODE	DRAWING NO	RESTRICTED TO
		A3	00779	C-6643460	-
		CUSTOMER DRAWING		SCALE	SHEET
				1:1	2 OF 6
				REV	B

THIS DRAWING IS UNPUBLISHED. RELEASED FOR PUBLICATION  
 © COPYRIGHT 2006 BY TYCO ELECTRONICS CORPORATION. ALL RIGHTS RESERVED.

LOC	DIST	REVISIONS					
GP	00	P	LTR	DESCRIPTION	DATE	DWN	APVD
		-	-	SEE SHEET 1	-	-	-



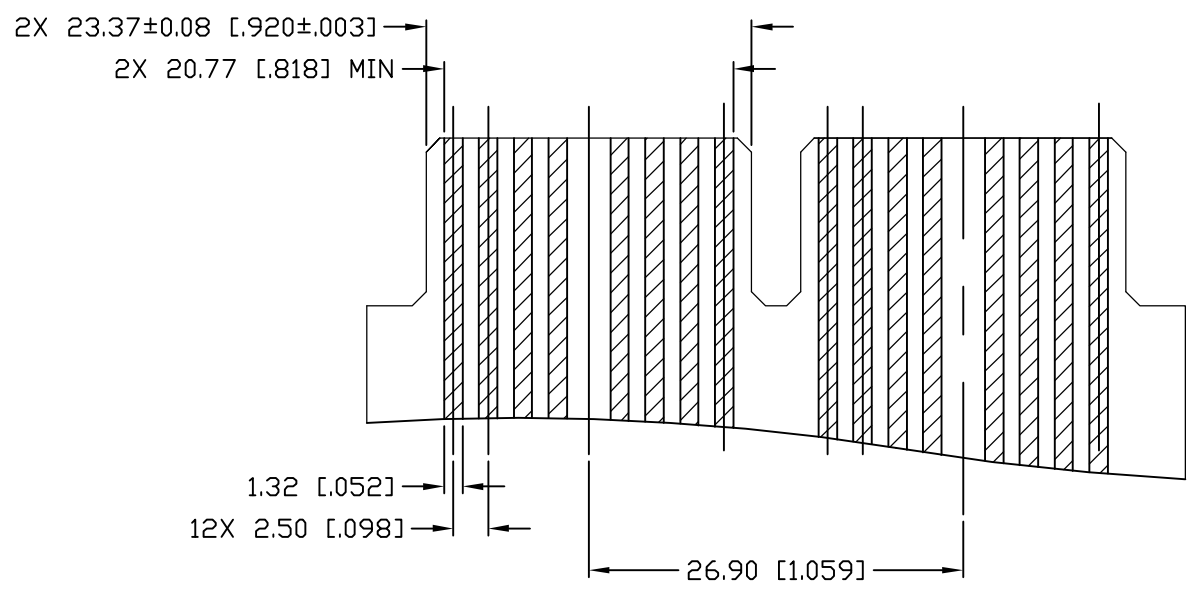
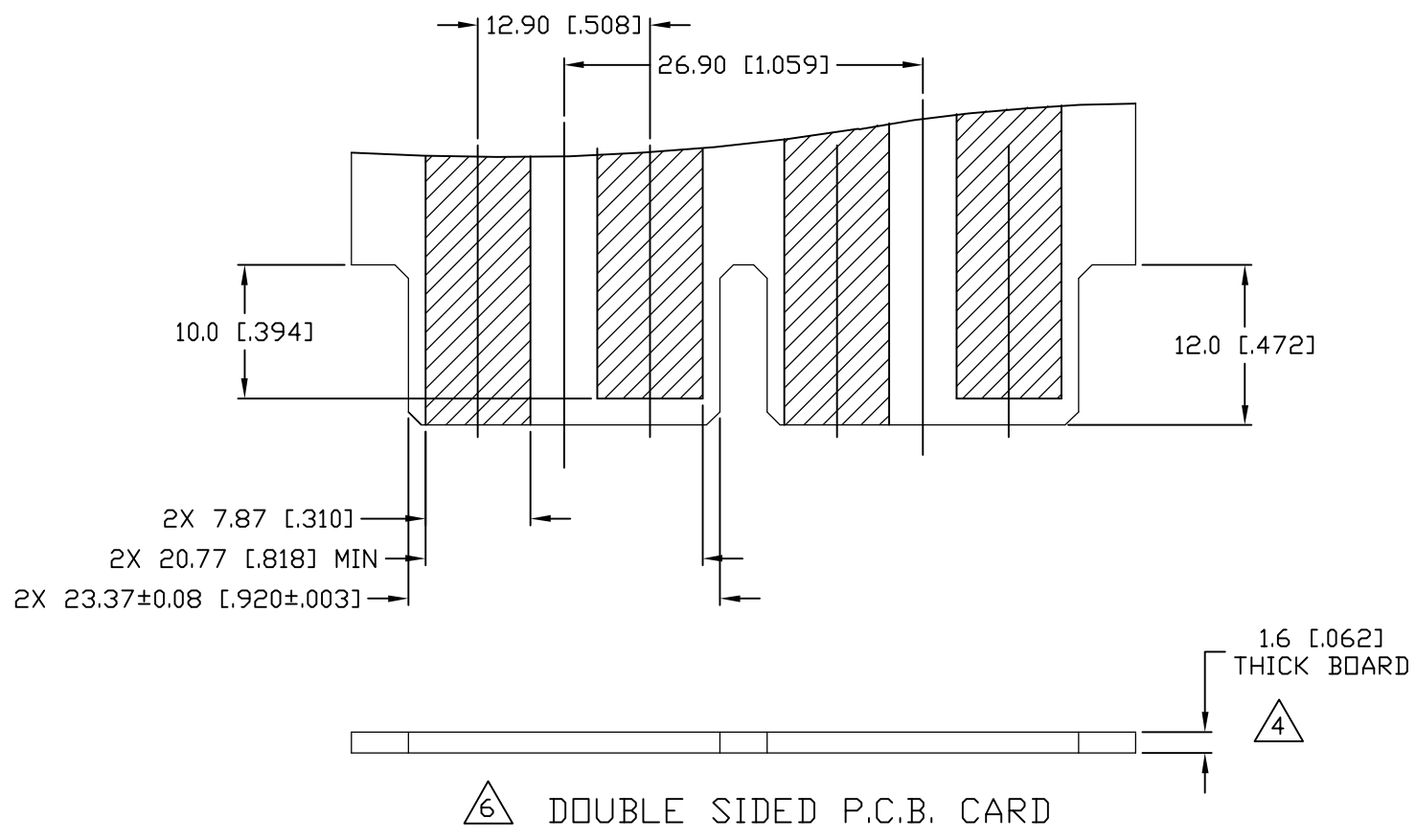
VIEW SHOWN (COMPLIANT TAILS)  
 P/N'S 6643460-3



THIS DRAWING IS A CONTROLLED DOCUMENT.		DWN G.PETERS 04JAN2007	Tyco Electronics Corporation Harrisburg, PA 17105-3608	
DIMENSIONS: mm		CHK D.ORRIS 04JAN2007		
TOLERANCES UNLESS OTHERWISE SPECIFIED:		APVD S.FLICKINGER 04JAN2007	NAME	
0 PLC ± - 1 PLC ± .5 [0.010] 2 PLC ± .25 [0.020] 3 PLC ± - 4 PLC ± - ANGLES ± .5		PRODUCT SPEC -	SOCKET CONNECTOR, CROWN EDGE	
MATERIAL -		FINISH -	APPLICATION SPEC -	RESTRICTED TO -
		WEIGHT -	SIZE A3	CAGE CODE 00779
		CUSTOMER DRAWING	DRAWING NO C-6643460	RESTRICTED TO -
			SCALE 1:1	SHEET 3 OF 6
				REV B

THIS DRAWING IS UNPUBLISHED. RELEASED FOR PUBLICATION  
 © COPYRIGHT 2006 BY TYCO ELECTRONICS CORPORATION. ALL RIGHTS RESERVED.

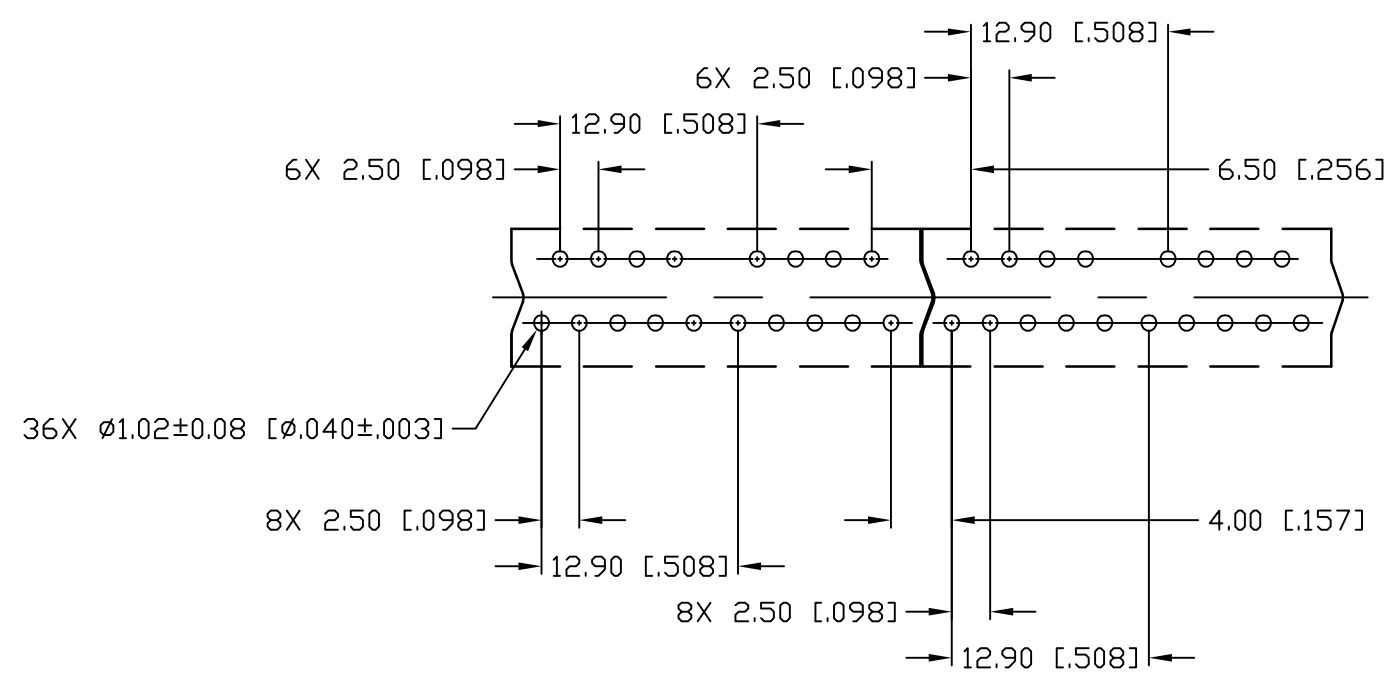
LOC	DIST	REVISIONS					
GP	00	P	LTR	DESCRIPTION	DATE	DWN	APVD
		-		SEE SHEET 1	-	-	-



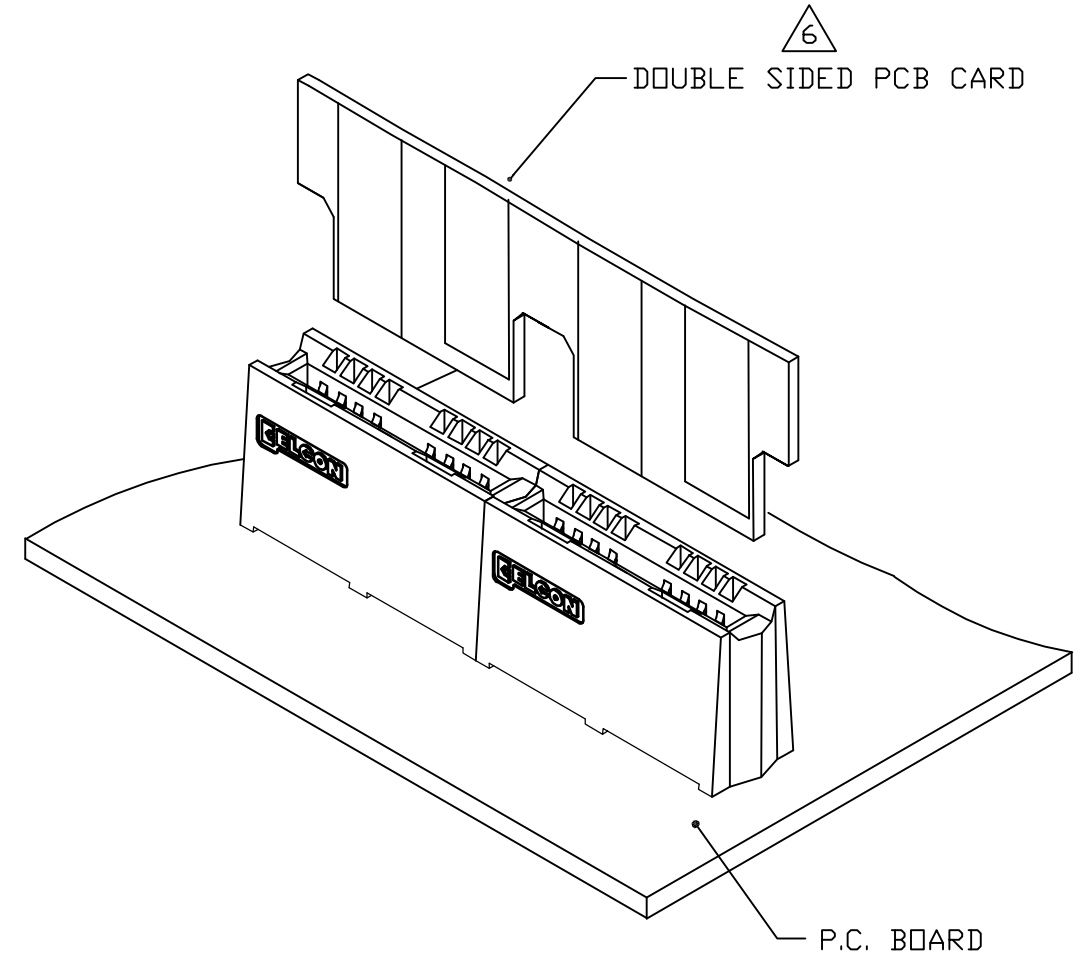
THIS DRAWING IS A CONTROLLED DOCUMENT.		DWN G.PETERS	04JAN2007	 Tyco Electronics Corporation Harrisburg, PA 17105-3608
DIMENSIONS: mm		CHK D.ORRIS	04JAN2007	
TOLERANCES UNLESS OTHERWISE SPECIFIED:		APVD S.FLICKINGER	04JAN2007	
0 PLC ± - 1 PLC ± .5 [.010] 2 PLC ± .25 [.020] 3 PLC ± - 4 PLC ± - ANGLES ± .5		NAME		SOCKET CONNECTOR, CROWN EDGE
MATERIAL		PRODUCT SPEC		
FINISH		APPLICATION SPEC		RESTRICTED TO
		WEIGHT		SIZE
		CUSTOMER DRAWING		CAGE CODE
				DRAWING NO
				RESTRICTED TO
				SCALE
				SHEET
				REV

THIS DRAWING IS UNPUBLISHED. RELEASED FOR PUBLICATION  
 © COPYRIGHT 2006 BY TYCO ELECTRONICS CORPORATION. ALL RIGHTS RESERVED.

LOC	DIST	REVISIONS			
P	LTR	DESCRIPTION	DATE	DWN	APVD
GP	00	SEE SHEET 1	-	-	-



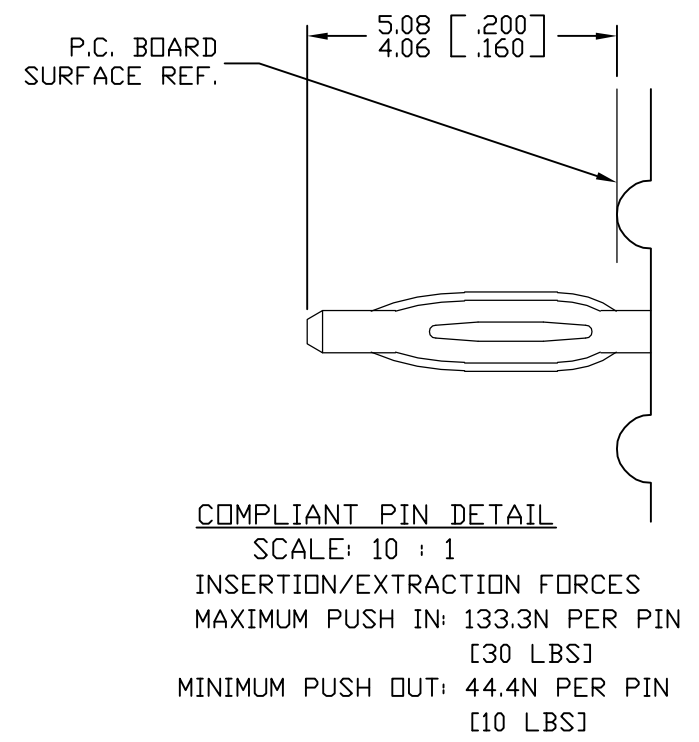
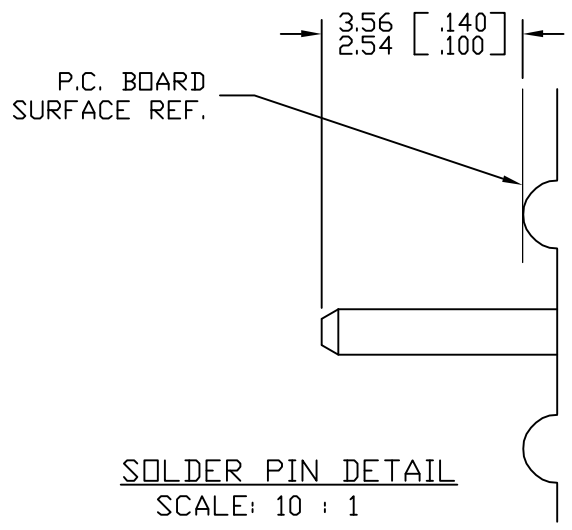
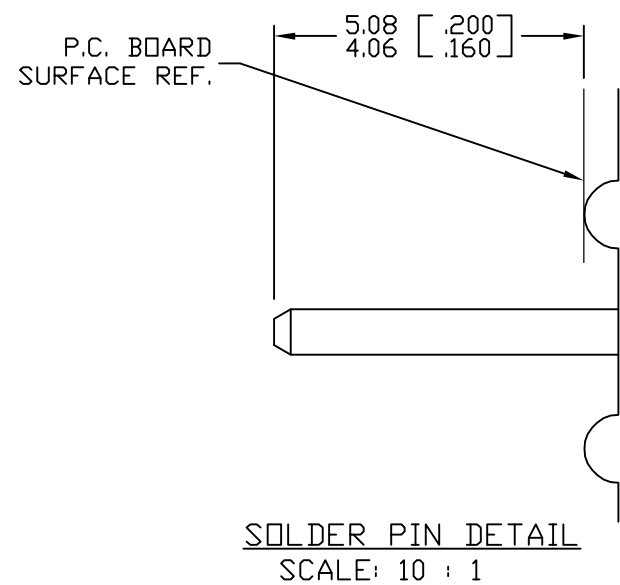
5 RECOMMENDED P.C. BOARD LAYOUT



THIS DRAWING IS A CONTROLLED DOCUMENT.		DWN G.PETERS	04JAN2007	Tyco Electronics Corporation Harrisburg, PA 17105-3608	
DIMENSIONS: mm		CHK D.ORRIS	04JAN2007		
TOLERANCES UNLESS OTHERWISE SPECIFIED:		APVD S.FLICKINGER	04JAN2007	NAME	
0 PLC ± - 1 PLC ± .5 [.010] 2 PLC ± .25 [.020] 3 PLC ± - 4 PLC ± - ANGLES ± .5		PRODUCT SPEC		SOCKET CONNECTOR, CROWN EDGE	
MATERIAL		APPLICATION SPEC		SIZE	RESTRICTED TO
FINISH		WEIGHT		CAGE CODE	DRAWING NO
-		-		A3 00779	C=6643460
CUSTOMER DRAWING				SCALE	REV
				1:1	B
				SHEET	5 OF 6

THIS DRAWING IS UNPUBLISHED. RELEASED FOR PUBLICATION  
 © COPYRIGHT 2006 BY TYCO ELECTRONICS CORPORATION. ALL RIGHTS RESERVED.

LOC	DIST	REVISIONS			
P	LTR	DESCRIPTION	DATE	DWN	APVD
GP	00	SEE SHEET 1	-	-	-



RECOMMENDED PRINTED CIRCUIT HOLE  
 SOLDER OR COMPLIANT PRESS FIT  
 FINISHED HOLE:  $\phi 1.02$  [.040]  $\pm 0.08$  [.003]  
 DRILLED HOLE:  $\phi 1.15$  [.0453]  $\pm 0.013$  [.0005]  
 COPPER PLATE: .025 [.0010] MINIMUM (PER SURFACE)  
 TIN PLATE: .008 [.0003] MINIMUM (PER SURFACE)

THIS DRAWING IS A CONTROLLED DOCUMENT.		DWN G.PETERS	04JAN2007	Tyco Electronics Corporation Harrisburg, PA 17105-3608	
DIMENSIONS: mm		CHK D.ORRIS	04JAN2007		
TOLERANCES UNLESS OTHERWISE SPECIFIED:		APVD S.FLICKINGER	04JAN2007	NAME	
0 PLC $\pm -$ 1 PLC $\pm .5$ [.010] 2 PLC $\pm .25$ [.020] 3 PLC $\pm -$ 4 PLC $\pm -$ ANGLES $\pm .5$		PRODUCT SPEC		SOCKET CONNECTOR, CROWN EDGE	
MATERIAL		APPLICATION SPEC		SIZE	RESTRICTED TO
FINISH		WEIGHT		A3	-
-		-		CAGE CODE	DRAWING NO
		CUSTOMER DRAWING		00779	6643460
		SCALE		SHEET	REV
		1:1		6 OF 6	B

## X-ON Electronics

Largest Supplier of Electrical and Electronic Components

*Click to view similar products for [Heavy Duty Power Connectors](#) category:*

*Click to view products by [TE Connectivity](#) manufacturer:*

Other Similar products are found below :

[1424439](#) [1424438](#) [09330062652](#) [2-8675P1](#) [605601-1](#) [6340G1](#) [6341G1](#) [6360G1](#) [6373G1](#) [6374g2](#) [6396G1](#) [647757-1](#) [66394-4](#) [6643411-1](#)  
[6646058-2](#) [6646137-1](#) [6646138-1](#) [6646348-1](#) [6646479-1](#) [6646608-1](#) [6646786-1](#) [6646940-1](#) [6651091-1](#) [6651525-1](#) [6651529-1](#) [6651778-1](#)  
[6651788-1](#) [696465-1](#) [696475-1](#) [73000005059](#) [73000005349](#) [73000005642](#) [73080255059](#) [73080965046](#) [765-15-0080A](#) [765-16-0080B](#)  
[789.700-44](#) [789.700-54](#) [80-1010](#) [80-9](#) [827381-1](#) [829992-1](#) [902-77-02113](#) [PL00U-301-10D10](#) [PM103MOOLOO](#) [PM16S1620S32-50](#)  
[PM212MOOLOO](#) [PM309FOOLOO](#) [PM324FOOLCH](#) [PMHPAF11S03](#)