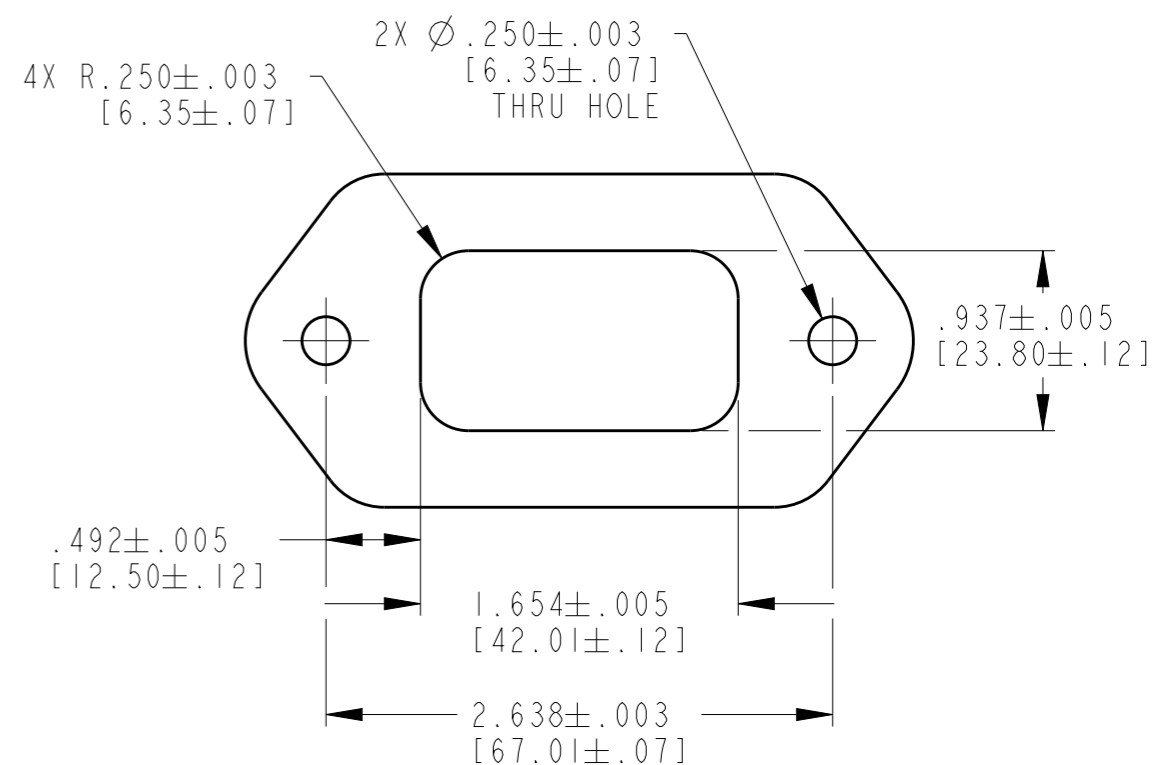
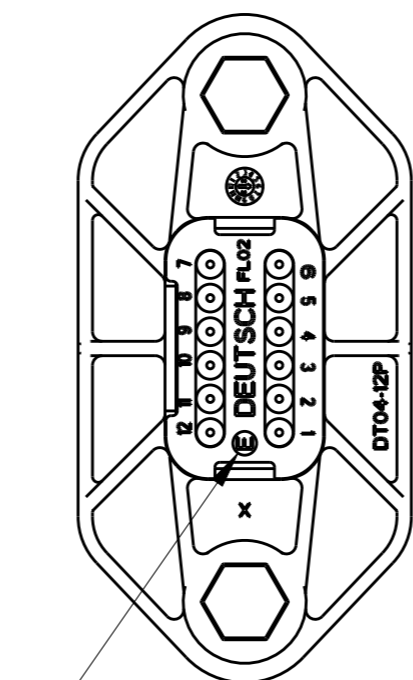
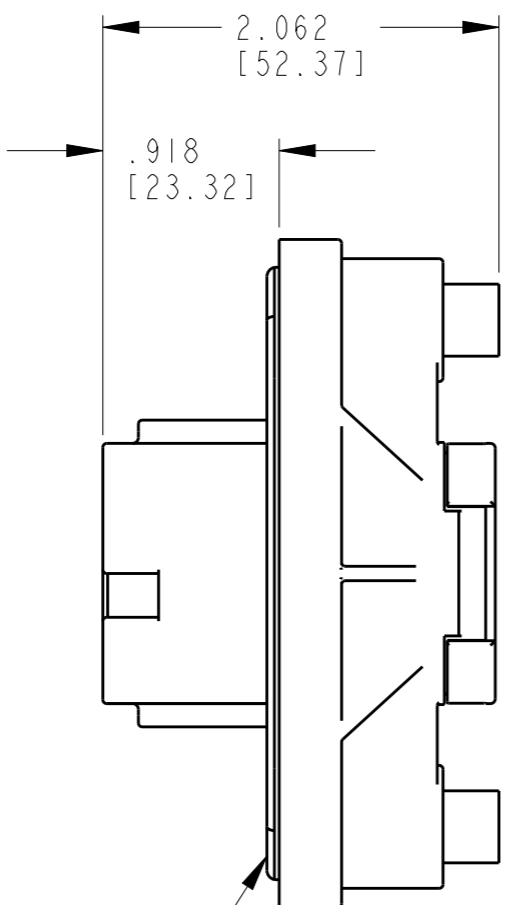
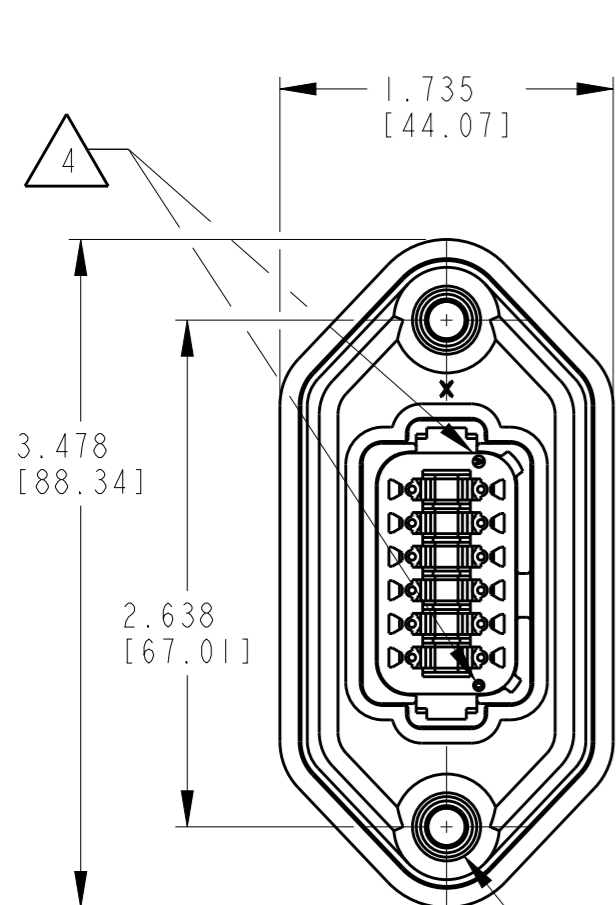


REVISIONS					
P	LTR	DESCRIPTION	DATE	DWN	APVD
	A1	REVISED PRE PCN E-17-012564	28AUG2017	JA	DM



2X THREADED INSERT  
 M6 X .500 DEEP  
 RECOMMENDED TORQUE:  
 62-88 IN-LB [7-10 N-m]

FLANGE SEAL IS INTENDED  
 FOR NON-PRESSURIZED  
 FLUID SPLASH ONLY

-E- SYMBOL DESIGNATES  
 REDUCED DIAMETER WIRE SEAL

**RECOMMENDED PANEL-CUTOUT**

TE INTERNAL PN	DEUTSCH PN
DT04-12PA-FL02	DT04-12PA-FL02
DT04-12PB-FL02	DT04-12PB-FL02
DT04-12PC-FL02	DT04-12PC-FL02
DT04-12PD-FL02	DT04-12PD-FL02

CONTACT SIZE	MIN. INSUL. O.D.	MAX. INSUL. O.D.	WIRE RANGE [mm <sup>2</sup> ] REF ONLY
16	.053 [1.35]	.120 [3.05]	14-20 AWG [2.5-0.5]

4 DATE CODE: MONTH IS REPRESENTED BY SEQUENTIAL ALPHA CHARACTERS. EX: A = JANUARY, YEAR IS REPRESENTED BY LAST NUMERICAL DIGIT. EX: 0 = 2010

3 MATERIAL: HOUSING, CAP: PA66 GF15 (SEE SHEET 2 FOR COLOR)  
 GROMMET: FKM (BLACK)  
 GASKET: VMQ (RED-ORANGE)  
 INSERTS: STAINLESS STEEL

2. THIS RECEPTACLE MATES WITH DT06-12SX-XXXX PLUG.  
 (X = KEY ARR; XXXX = ALL MODIFICATIONS)  
 CONSULT FACTORY FOR MODIFICATIONS.

1 FOR CONTACTS AND WIRE PERFORMANCE AND APPLICATION CHARACTERISTICS, SEE ENVELOPE DRAWING 0425-015-0000.

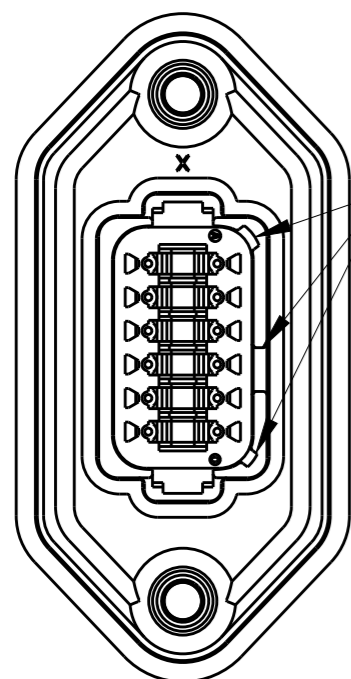
NOTES: UNLESS OTHERWISE SPECIFIED

THIS DRAWING IS A CONTROLLED DOCUMENT.		DWN R. MESSENGER 30AUG2011		
DIMENSIONS: in [mm]		CHK B. BYFORD 09FEB2012		
TOLERANCES UNLESS OTHERWISE SPECIFIED:		APVD S. BEARD 09FEB2012	NAME 12 WAY RECEPTACLE WITH ENHANCED KEY FLANGE, VITON SEAL DT SERIES	
0 PLC ±		PRODUCT SPEC 108-151009	SIZE A3 CAGE CODE 4AFU8 DRAWING NO. DT04-12PX-FL02 RESTRICTED TO -	
1 PLC ±		APPLICATION SPEC 0425-017-0000	SCALE 1:2 SHEET 1 OF 2 REV A1	
2 PLC ±		WEIGHT 78g		
3 PLC ±.025 [0.64]		CUSTOMER DRAWING		
4 PLC ±				
ANGLES ±0° 30' 0"				
MATERIAL				
FINISH				

REVISIONS

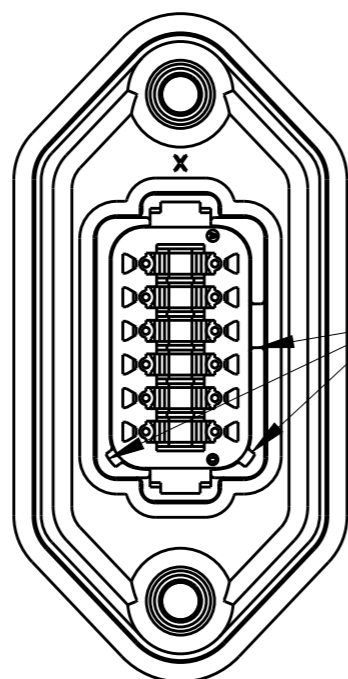
P	LTR	DESCRIPTION	DATE	DWN	APVD
-		SEE SHEET 1	-	-	-

DT04-12PA-FL02  
KEY ARR. -A-  
COLOR: GRAY



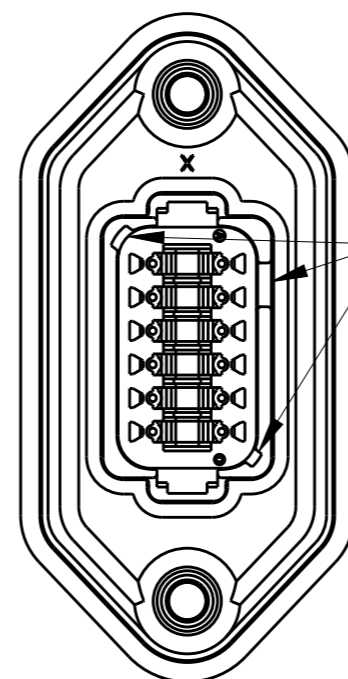
--A- KEYWAYS

DT04-12PB-FL02  
KEY ARR. -B-  
COLOR: BLACK



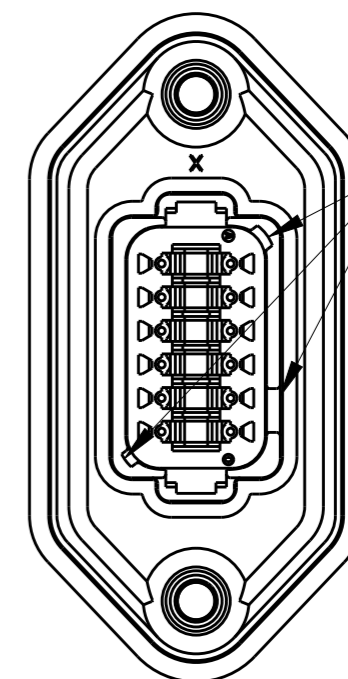
--B- KEYWAYS

DT04-12PC-FL02  
KEY ARR. -C-  
COLOR: GREEN



--C- KEYWAYS

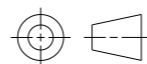
DT04-12PD-FL02  
KEY ARR. -D-  
COLOR: BROWN



--D- KEYWAYS

THIS DRAWING IS A CONTROLLED DOCUMENT.

DIMENSIONS:  
in [mm]



TOLERANCES UNLESS OTHERWISE SPECIFIED:

0 PLC	±
1 PLC	±
2 PLC	±
3 PLC	±.025
4 PLC	±
ANGLES	±0° 30' 0"

FINISH

DWN 21AUG2017  
R. MESSENGER

CHK 09FEB2012  
B. BYFORD

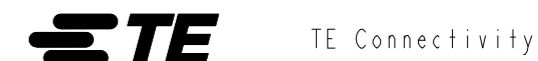
APVD 09FEB2012  
S. BEARD

PRODUCT SPEC  
108-151009

APPLICATION SPEC  
0425-017-0000

WEIGHT  
78g

CUSTOMER DRAWING



NAME  
12 WAY RECEPTACLE  
WITH ENHANCED KEY FLANGE, VITON SEAL  
DT SERIES

SIZE A3	CAGE CODE 4AFU8	DRAWING NO DT04-12PX-FL02	RESTRICTED TO -
------------	--------------------	------------------------------	--------------------

SCALE 1:2 SHEET 2 OF 2 REV A1

## X-ON Electronics

Largest Supplier of Electrical and Electronic Components

*Click to view similar products for [Automotive Connectors](#) category:*

*Click to view products by [TE Connectivity](#) manufacturer:*

Other Similar products are found below :

[003-018-000](#) [600858](#) [60403001](#) [60993906-B](#) [60993913-B](#) [629515004020001](#) [M902-2131](#) [M902-2161](#) [M902-2344](#) [72.330.1035.1](#)  
[73.353.4028.0](#) [F118010](#) [F119300-B](#) [F132210](#) [F132210-B](#) [F166900](#) [F180100](#) [F258300](#) [F258300-B](#) [F294300-B](#) [F339100](#) [F339700](#) [F358300-](#)  
[B](#) [F374110](#) [F407400](#) [F412210](#) [F427600](#) [F444110](#) [F487000](#) [F495100-B](#) [F500900-B](#) [F509500B-B](#) [770444-1](#) [776880-1](#) [827153-1](#) [881735-1](#)  
[8N1515-32-24P](#) [9-1326729-8](#) [925467-1](#) [925474-1](#) [928905-1](#) [936398-2](#) [964562-1](#) [964562-4](#) [964731-2](#) [965051-1](#) [968782-1](#) [GT17SA-8DS-](#)  
[HU](#) [GT17VS-10DP-5.2CF](#) [98315-0001](#)