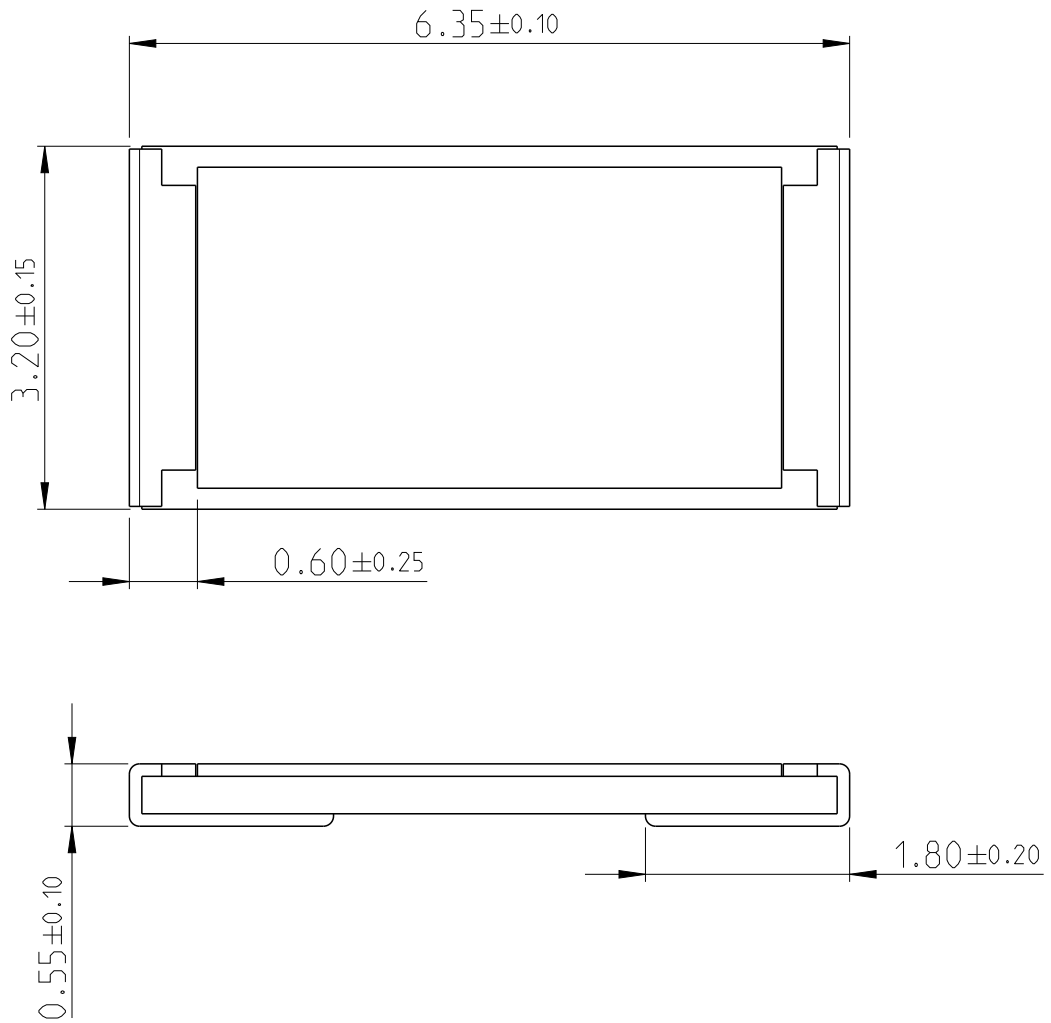


| | | | | | | | |
|-----|------|-----------|---------------|-------------|-----------|-----|------|
| LOC | DIST | REVISIONS | | | | | |
| - | - | P | LTR | DESCRIPTION | DATE | DWN | APVD |
| | | BB1 | ECR-15-009468 | | 23JUN2015 | KR | TN |

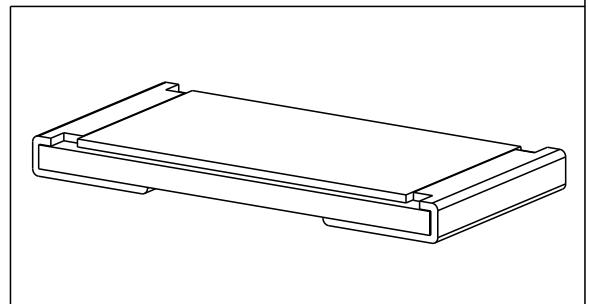


FOR FURTHER INFORMATION SEE DATA SHEET FOR 3521 SERIES


RoHS Compliant

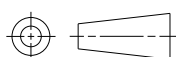


PDB LAYOUT PLAN



20
 RELEASED FOR PUBLICATION
 ALL RIGHTS RESERVED.
 BY -
 COPYRIGHT © 20

| | | | | | | | |
|--|-------------------|------------------|--|-----------|------------|---------------|--------|
| DIMENSIONS: mm | DWN DARSHAN MS | 15MAR2012 | MATERIAL | - | FINISH | - | |
| | CHK ALLAN P | 15MAR2012 |  TE Connectivity | | | | |
| TOLERANCES UNLESS OTHERWISE SPECIFIED: | APVD STEPHEN.P | 15MAR2012 | | | | | |
| | 0 PLC ± | PRODUCT SPEC | NAME SMD POWER RESISTORS - TYPE 3521 SERIES | | | | |
| 1 PLC ±0.5 | - | APPLICATION SPEC | SIZE | CAGE CODE | DRAWING NO | RESTRICTED TO | |
| 2 PLC ±0.13 | - | - | A 4 | 00779 | C-2176070 | - | |
| 3 PLC ±0.013 | WEIGHT | 0.03806 Gram | SCALE | | 40:1 | SHEET | 1 OF 1 |
| 4 PLC ±0.0001 | Customer Drawing | | REV | | BB1 | | |
| ANGLES ± | | | | | | | |



X-ON Electronics

Largest Supplier of Electrical and Electronic Components

Click to view similar products for [Thick Film Resistors - SMD category:](#)

Click to view products by [TE Connectivity manufacturer:](#)

Other Similar products are found below :

[CRCW04028R20JNEE](#) [CRCW06036K80FKEE](#) [CRG1206F1K58](#) [CRL0603-FW-R700ELF](#) [M55342K06B6E19RWL](#) [RC1005F1072CS](#)
[RC1005F471CS](#) [RC1005F4751CS](#) [RCP0603W100RGED](#) [RCWP72251K47FKWB](#) [RLR05C7501GPB14](#) [RLR07C5111FSBSL](#) [ERJ-](#)
[1GMF1R00C](#) [ERJ-1GMF1R20C](#) [ERJ-1GMF2R55C](#) [ERJ-1GMF8R66C](#) [25121WF1003T4E](#) [25.501.3653.0](#) [290-1.0M-RC](#) [292-1.0M-RC](#) [292-](#)
[2.2K-RC](#) [292-4.7K-RC](#) [25121WF4700T4E](#) [292-470K-RC](#) [302-1.0M-RC](#) [CPG1206F10KC](#) [CRCW02011R00FXED](#) [CRCW060315K0FKEE](#)
[CRCW060320K5FKEE](#) [CRG0201F10K](#) [RCG0402150RFKED](#) [RCG04023K92FKED](#) [RCP2512B100RGWB](#) [RCWP110010R0FKS3](#)
[RCWP11002K00FKS3](#) [RCWP12061K00FKS2](#) [3520510RJT](#) [352075KJT](#) [M55342K11B9E53RUL](#) [RMC16-102JT](#) [RMC1JPTE](#) [TR0603MR-](#)
[075K1L](#) [5-2176094-4](#) [35202K7JT](#) [WF06Q1000FTL](#) [ERJ-S03J1R0V](#) [ERJ-S14J4R7U](#) [CHP2512L4R30GNT](#) [CPCC10270R0JE32](#)
[RCWP11001K00FKS3](#)