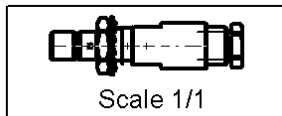
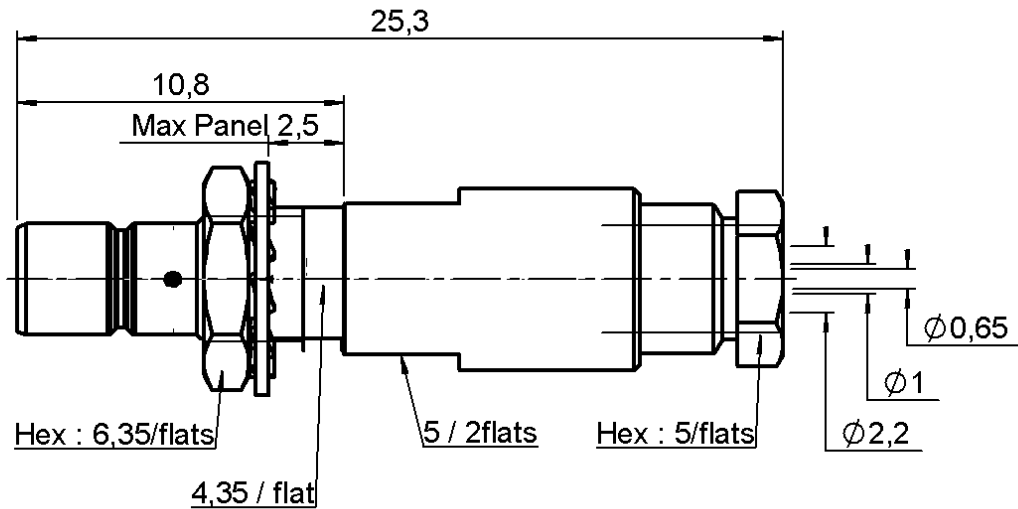


STRAIGHT BULKHEAD JACK CLAMP TYPE

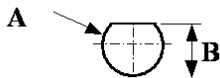
R114.303.000

REAR MOUNT - CABLE 2/50 S

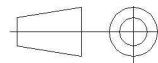
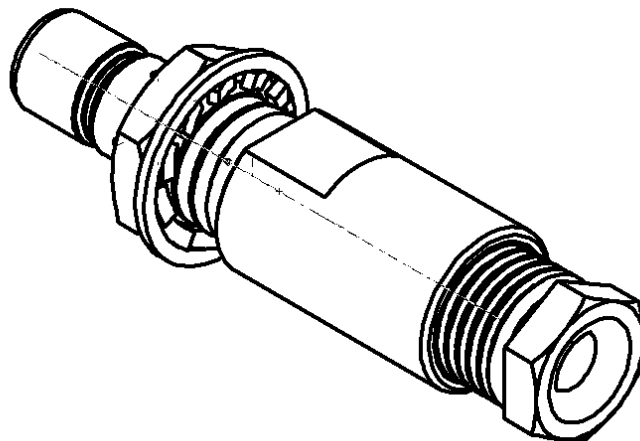
Series : SMB



PANEL CUT OUT



| mm | | |
|----------|-------------|-------------|
| | Maxi | mini |
| A | 5 | 4.9 |
| B | 4.55 | 4.45 |



All dimensions are in mm.

| COMPONENTS | MATERIALS | PLATINGS (µm) |
|----------------|-------------|------------------------|
| BODY | BRASS | GOLD 0.2 OVER NICKEL 2 |
| CENTER CONTACT | BRASS | GOLD 1.3 OVER NICKEL 2 |
| OUTER CONTACT | - | - |
| INSULATOR | PTFE | - |
| GASKET | CHLOROPRENE | - |
| OTHERS PARTS | BRASS | GOLD 0.2 OVER NICKEL 2 |
| - | - | - |
| - | - | - |

Issue : 0422 C

In the effort to improve our products, we reserve the right to make changes judged to be necessary.



STRAIGHT BULKHEAD JACK CLAMP TYPE

R114.303.000

REAR MOUNT - CABLE 2/50 S

Series : SMB

PACKAGING

| Standard | Unit | Other |
|------------|-------------------|-------------------|
| 100 | 'W' option | Contact us |

SPECIFICATION

00A 4051 779

CABLE ASSEMBLY

| Stripping | a | b | c | d | e | f |
|-----------|------|------|------|------|------|------|
| mm | 2.50 | 0.00 | 4.50 | 4.50 | 1.20 | 0.00 |

ELECTRICAL CHARACTERISTICS

| | | | |
|---------------------------------|---------------|--------------|--------------------------|
| Impedance | | 50 | Ω |
| Frequency | | 0-4 | GHz |
| VSWR | 1.30 + | 0.040 | x F(GHz) Maxi |
| Insertion loss | | 0.25 | \sqrt{F} (GHz) dB Maxi |
| RF leakage | - (| 57 | - F(GHz)) dB mini |
| Voltage rating | | 250 | Veff Maxi |
| Dielectric withstanding voltage | | 750 | Veff mini |
| Insulation resistance | | 1000 | M Ω mini |

Assembly instruction :

Recommended cable(s)
 RG 178
 RG 196
 RG 178 LC
 KX 21

MECHANICAL CHARACTERISTICS

| | | | |
|----------------------------|--|-----------|-----------|
| Center contact retention | | | |
| Axial force – Mating end | | 10 | N mini |
| Axial force – Opposite end | | 10 | N mini |
| Torque | | NA | N.cm mini |

Cable retention

| | | |
|------------|-----------|--------|
| - pull off | 58 | N mini |
| - torque | NA | N.cm |

TOOLING

| Part Number | Description | Hexagon |
|-------------|-------------|---------|
| . | . | . |

Recommended torque

| | | |
|---------------|--------------|------|
| Mating | NA | N.cm |
| Panel nut | 60 | N.cm |
| Clamp nut | 40 | N.cm |
| A/F clamp nut | 5.000 | mm |

| | | |
|-------------|--------------|-------------|
| Mating life | 500 | Cycles mini |
| Weight | 0.000 | g |

OTHERS CHARACTERISTICS

ENVIRONMENTAL

| | | |
|-----------------------|------------------|--------------|
| Operating temperature | -55°/+100 | $^{\circ}$ C |
| Hermetic seal | NA | Atm.cm3/s |
| Panel leakage | NA | |

Issue : 0422 C

In the effort to improve our products, we reserve the right to make changes judged to be necessary.

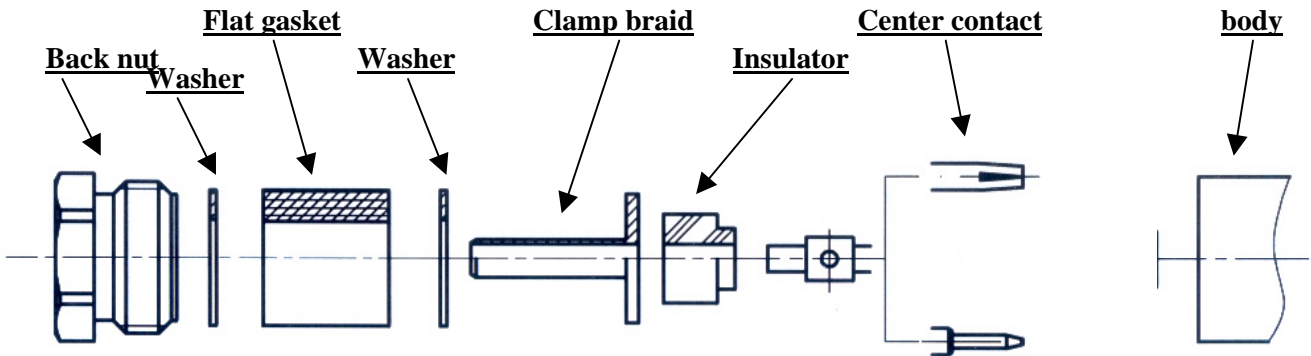


STRAIGHT BULKHEAD JACK CLAMP TYPE

R114.303.000

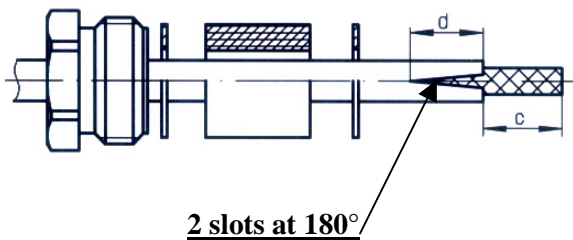
REAR MOUNT - CABLE 2/50 S

Series : SMB



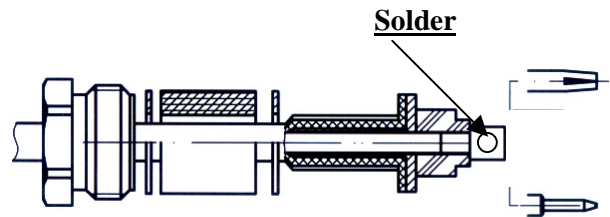
1

Slide the back nut, the washer 1, the flat gasket, the washer 2 onto the cable.
Strip the cable.
Cut 2 slots in the jacket if necessary.



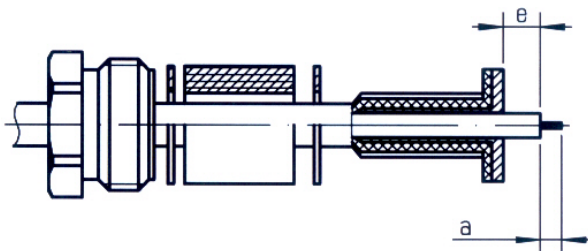
3

Slide the first insulator.
Slide the center contact and solder.



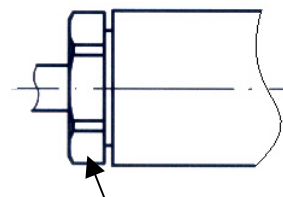
2

Slide the clamp braid sleeve.
Cut the braid flush with the clamp braid sleeve.
Strip off the diélectric.



4

Screw sub-assembly into the connector body with the adapted wrench.
Recommended coupling torque (see connector TDS).



Hex. : see connector TDS

Issue : 0422 C

In the effort to improve our products, we reserve the right to make changes judged to be necessary.



X-ON Electronics

Largest Supplier of Electrical and Electronic Components

Click to view similar products for [RF Connectors / Coaxial Connectors](#) category:

Click to view products by [Radiall](#) manufacturer:

Other Similar products are found below :

[R125315120](#) [8915-1511-000](#) [89674-0827](#) [5916-1103-603](#) [0106-001-000](#) [6-0001-3](#) [6001-7071-019](#) [6002-7051-003](#) [6002-7551-202](#) [6059674-1](#) [619550-1](#) [630059-000](#) [M39012/25-0021](#) [M39012/79-3008](#) [M39030/3-01N](#) [M39030/3-03N](#) [M3933/25-36N](#) [6500-7071-046](#) [6501-1071-002](#) [M83723/72W2457N](#) [6769](#) [CX050L2AQ](#) [7002-1541-010](#) [7002-1572-002](#) [7003-1572-002](#) [7004-1512-000](#) [7009-1511-004](#) [7010-1511-000](#) [7029-1511-060](#) [7101-1541-010](#) [7101-1571-002](#) [7105-1521-002](#) [7145-1521-002](#) [7209-1511-011](#) [7210-1511-012](#) [7210-1511-015](#) [7210-1511-019](#) [7225-1512-050](#) [7242-1511-000](#) [73137-5015](#) [73251-0111](#) [73251-0672](#) [73276-1501](#) [73366-0013](#) [73404-2300](#) [73413-6080](#) [73415-5721](#) [7405-1521-005](#) [7405-1521-802](#) [7406-1521-005](#)