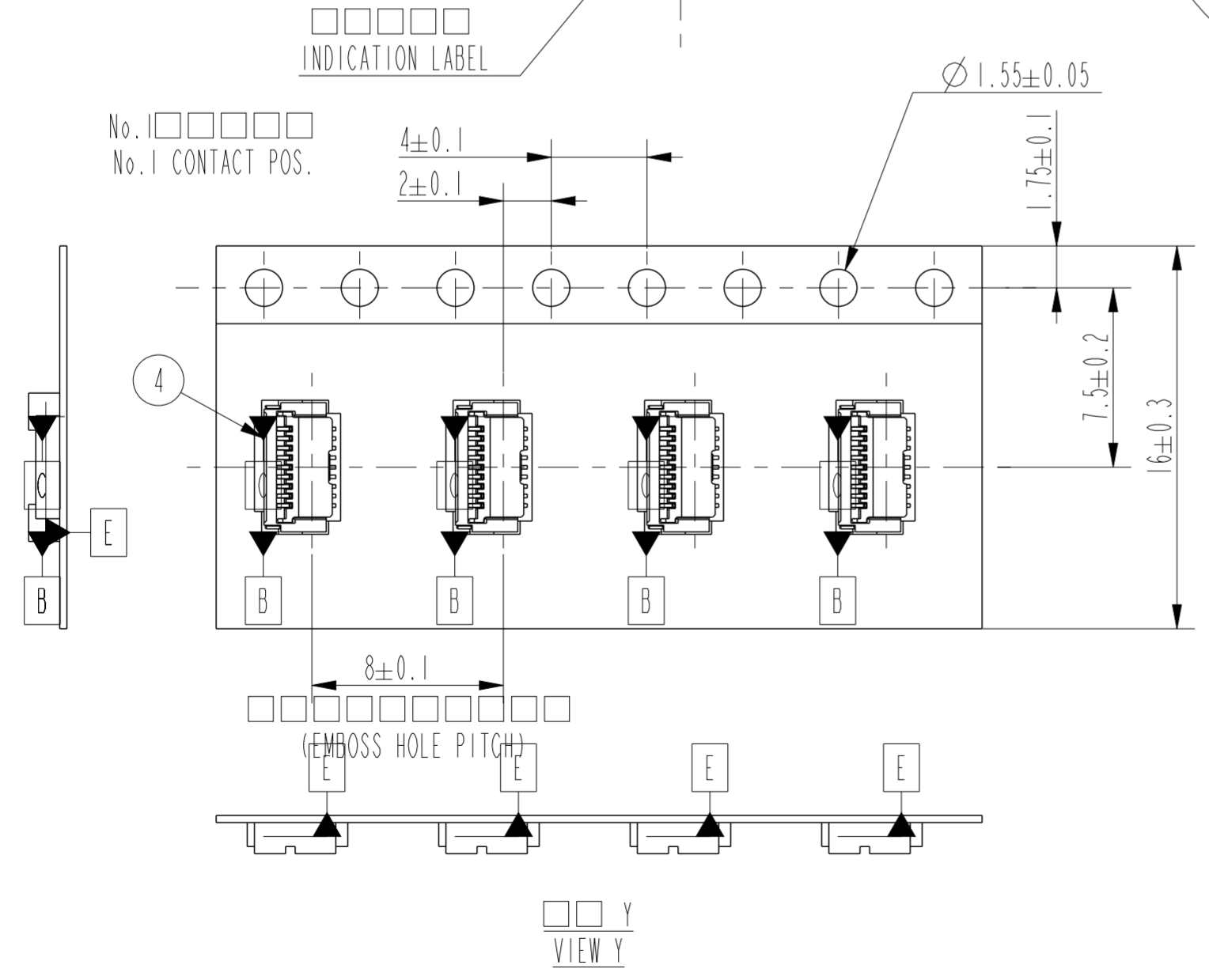
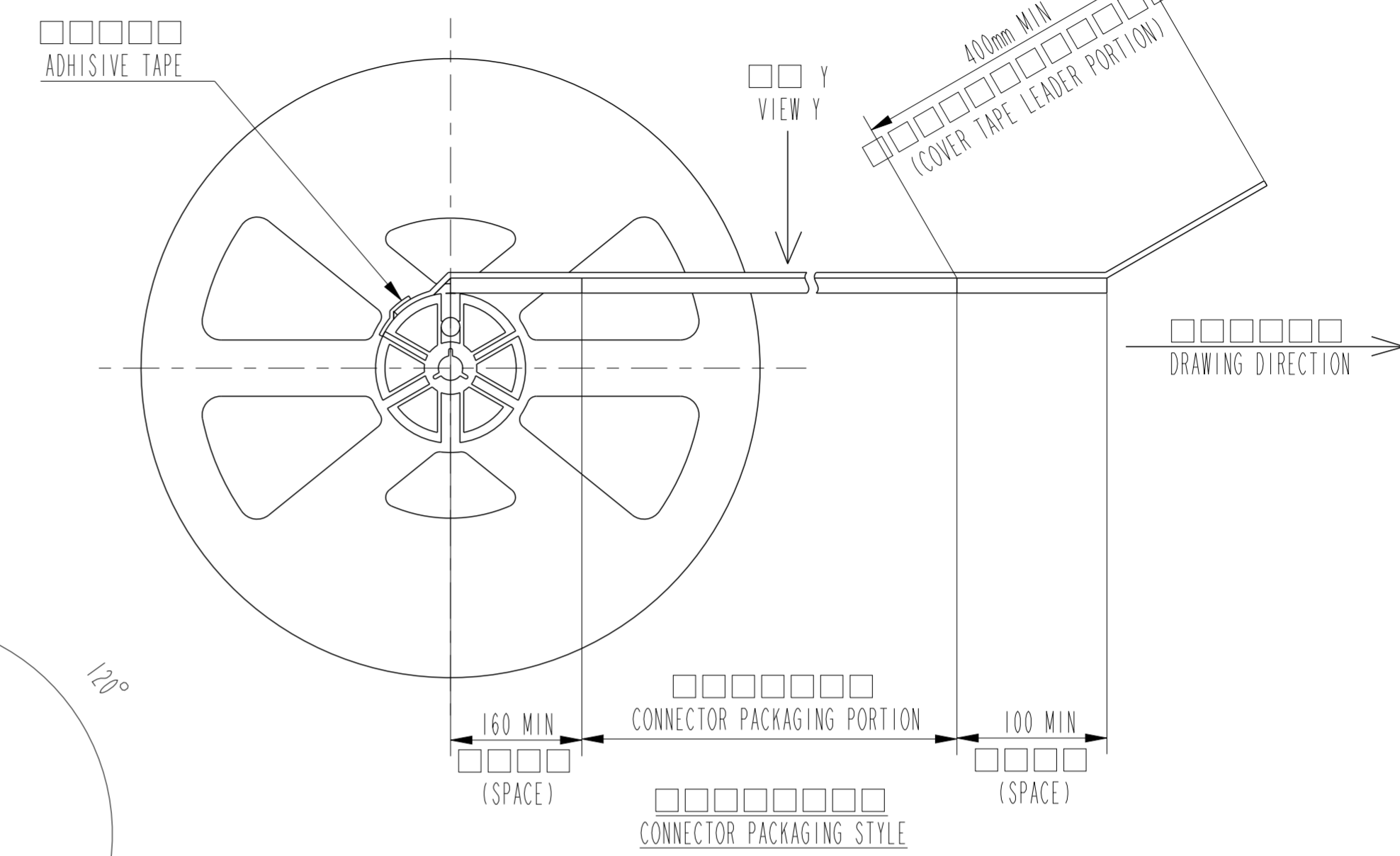
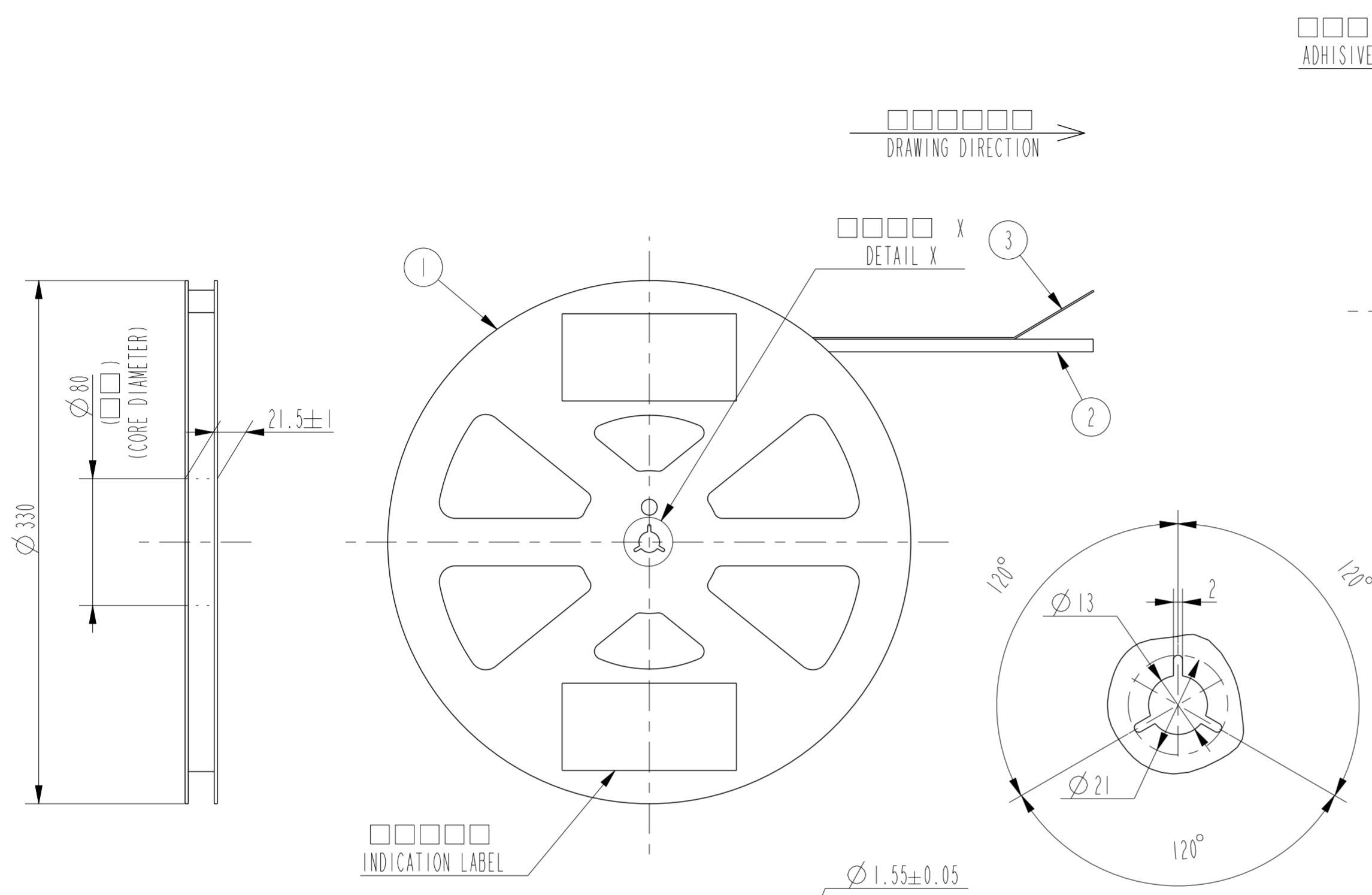


PRODUCT No.	No. OF CONTACTS
10117184-0410EHLF	4 CONTACTS
10117184-0910EHLF	9 CONTACTS



No.	PART NAME	PRODUCT No.	MATERIAL	Q'TY	NOTE
1	REEL	-----	POLYSTYRENE	1	COLOR:WHITE,ANTI STATIC
2	PLASTIC(EMBOSS)TAPE	-----	PP or PET	1	ANTI STATIC
3	COVER TAPE	-----	POLYESTER	1	
4	CONNECTOR	10117184-0.10HLF	SEE ATTACHED DRAWING	5,000	CONTACT AREA PLATING:GOLD TERMINAL AREA PLATING:GOLD

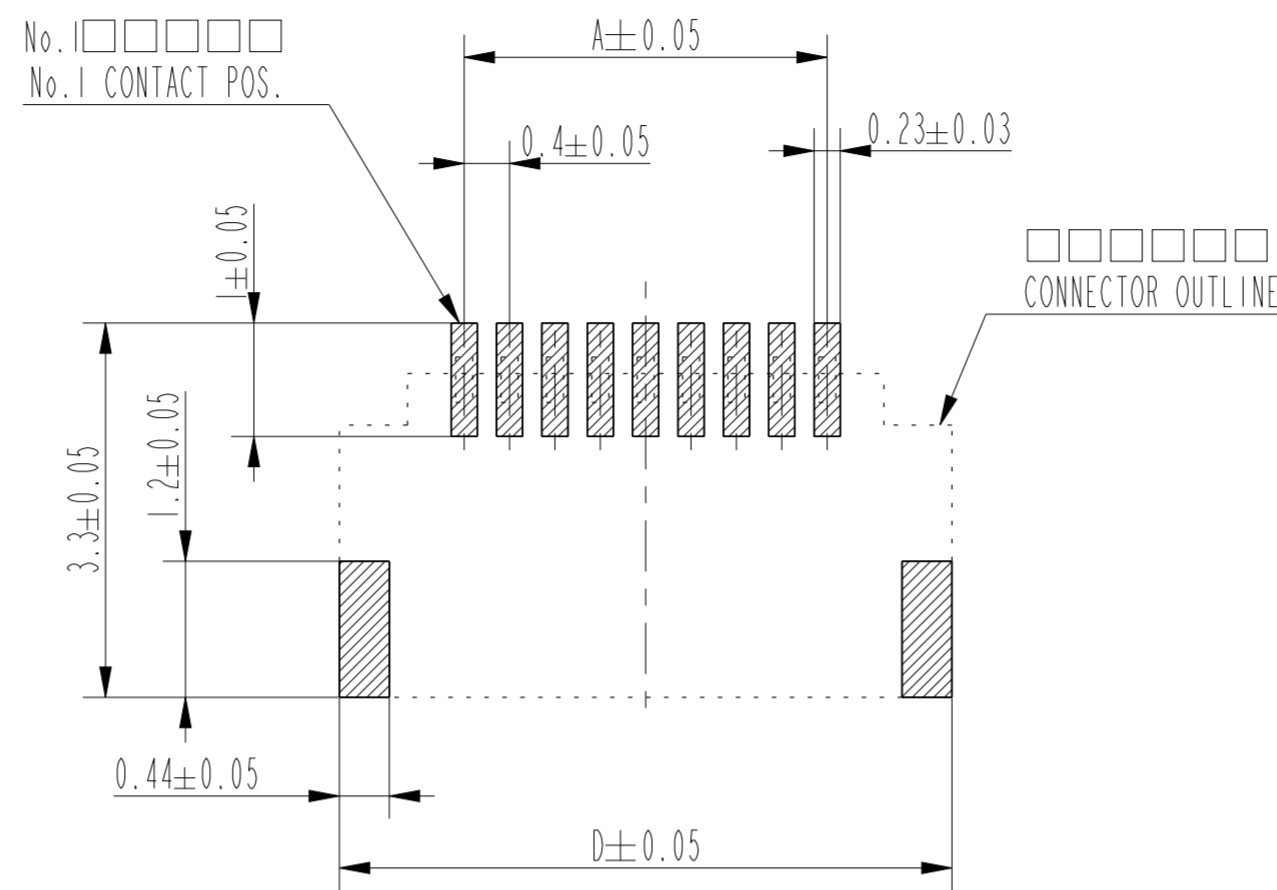
1. THIS IS PLASTIC TAPE PACKAGED CONNECTOR USED FOR FPC AND COPES WITH AUTOMATIC MOUNTING(SMT)
 2. SEE JIS C 0806 (PACKING OF ELECTRONIC COMPONENTS ON CONTINUOUS TAPES (SURFACE MOUNTING DEVICES))

spec ref	dr	Naotaka Sasame	2011/10/07	projection	MM	size	A2	scale	19.000
tolerance std	eng	J Van Koetssem	2012/09/20	chr	-	ecn no	ELX-J-012033-1	rel level	Released
surface	apppr	Y Kameda	2013/06/26	product family	588F	rel level	Released	cat. no.	Product - Customer Draw
linear	0.X	±	0.XX	±	0.XXX	±	angular	0°	±3°
title		PLASTIC TAPE PACKAGED 0.4mm PITCH FPC CONNECTOR (\1??x/DOWN SIDE CONTACT TYPE)			dwg no	10117184		rev	B
www.fci.com		cat. no.			Product - Customer Draw		sheet 1 of 2		

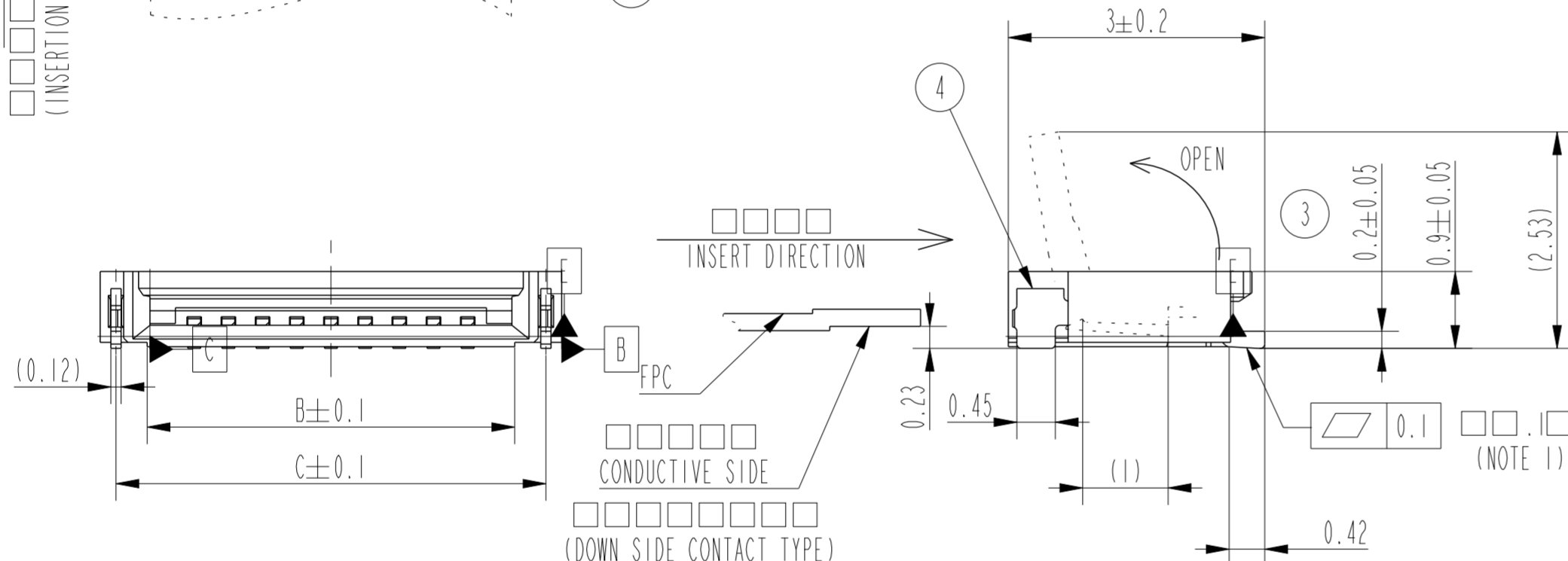
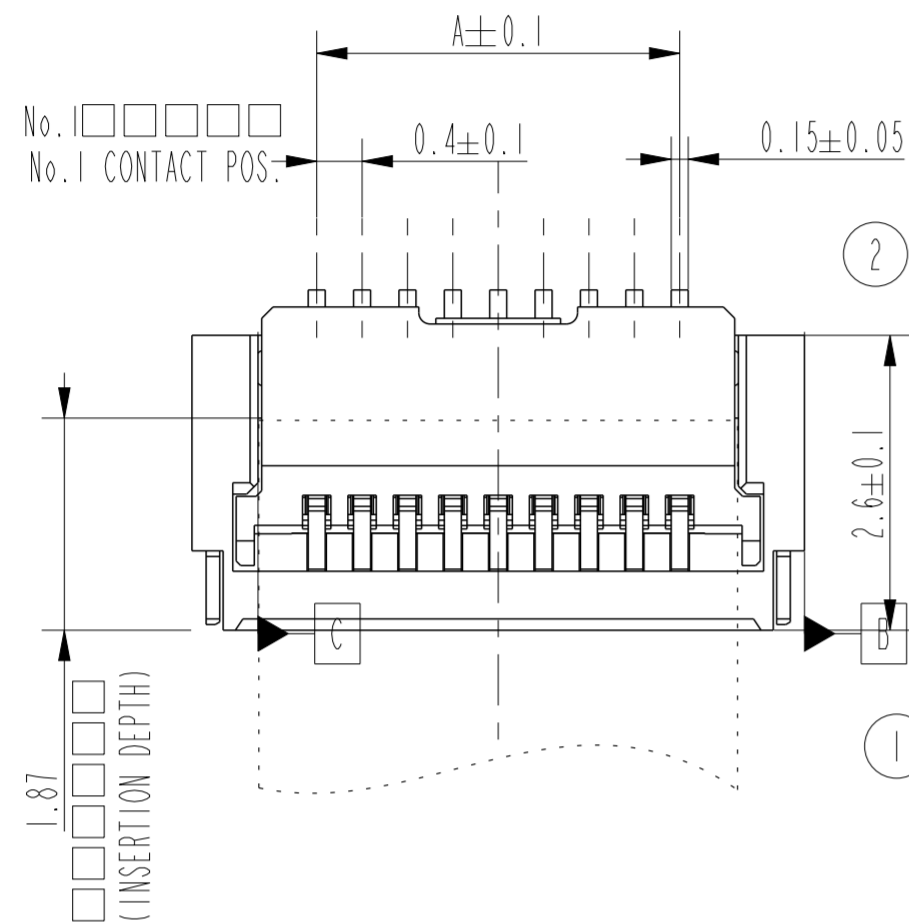
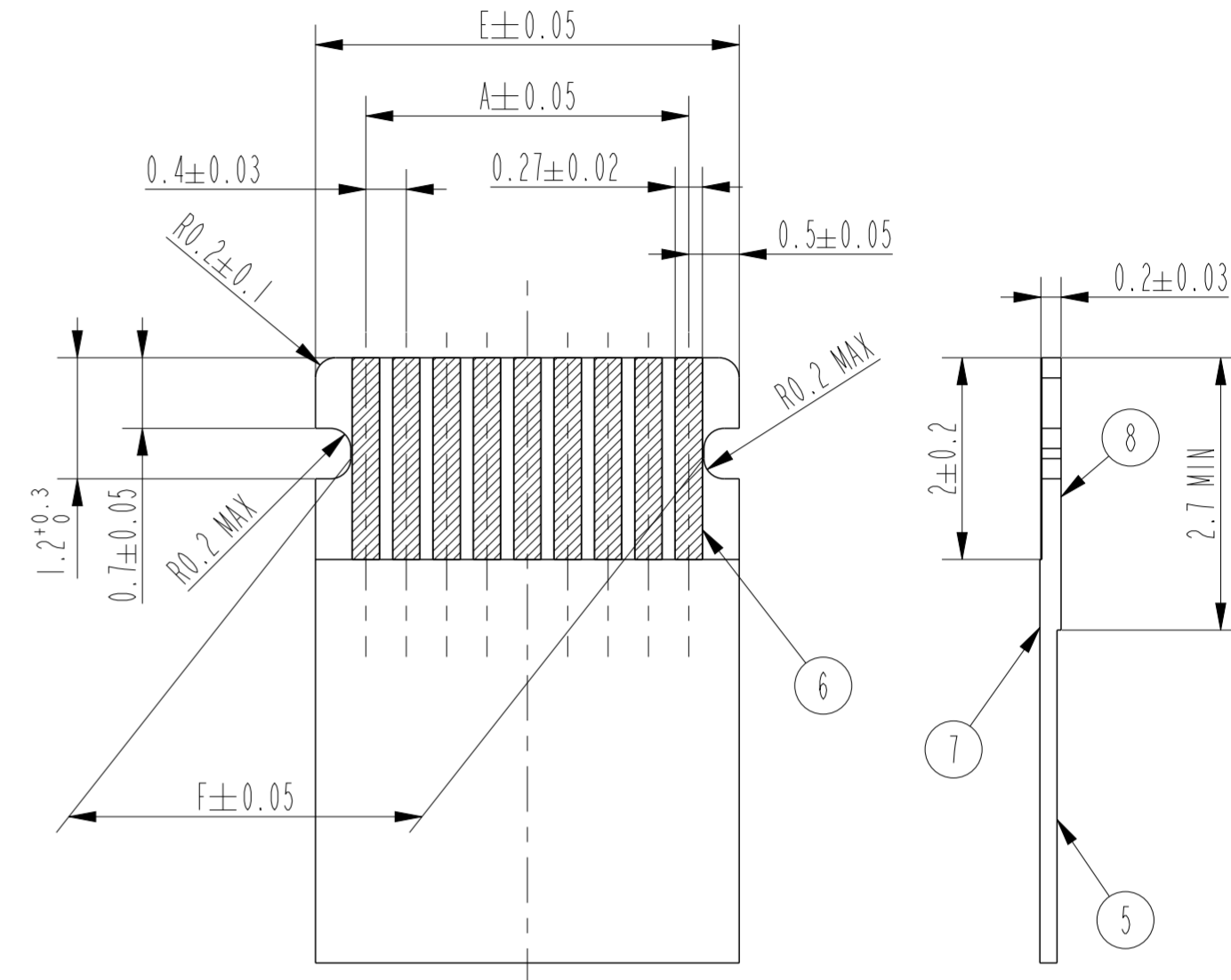
Dimension table

PRODUCT NO.	Contact	A	B	C	D	E	F
10118174-0410EHLF	4	1.2	2.25	3.03	3.4	2.2	1.5
10118174-0910EHLF	9	3.2	4.25	5.03	5.4	4.2	3.5

RECOMMENDED PCB LAYOUT



RECOMMENDED FPC



CONNECTOR PARTS LIST

No.	PART NAME	MATERIAL	Q'TY	NOTE
1	HOUSING	GLASS FILLED THERMOPLASTIC RESIN UL94V-0	1	COLOR:BEIGE Halogen Free
2	ACTUATOR	GLASS FILLED THERMOPLASTIC RESIN UL94V-0	1	COLOR:BRACK Halogen Free
3	CONTACT	COPPER ALLOY	n	CONTACT AREA PLATING:GOLD TERMINAL AREA PLATING:GOLD
4	FIXING TAB	COPPER ALLOY	2	PLATING:TIN(LEAD FREE)

NOTE
 1. COPLANARITY FOR CONTACT TERMINAL AND FIXING TAB MUST BE WITHIN 0.1mm.
 2. THIS PRODUCT MEETS EUROPEAN UNION DIRECTIVES AND OTHER COUNTRY REGULATIONS AS DESCRIBED IN GS-22-008.

FPC PARTS LIST

No.	PART NAME	MATERIAL	NOTE
5	BASE FILM	POLYIMIDE	
6	CONDUCTOR	COPPER FOIL(PLATING:GOLD 0.1μm)	
7	OVER LAY	POLYIMIDE	
8	SUPPORTING TAPE	POLYIMIDE	

NOTE
 ADHISIVE METHOD OF SUPPORTING TAPE SHALL BE HEAT CRIMPING METHOD AND THERMOSETTING ADHISIVE SHALL BE USED

spec ref	dr Naotaka Sasame 2011/10/07	projection	MM	size A2	scale 15.000
tolerance std	eng J Van Koetssem 2012/09/20	chr -		ecn no ELX-J-012033-1	
	chr -	appr Y Kameda 2013/06/26	product family 588f	rel level Released	
surface	linear 0.X ± 0.XX ± 0.XXX ±	angular 0° ±3°	title PLASTIC TAPE PACKAGED 0.4mm PITCH FPC CONNECTOR (\1??x/DOWN SIDE CONTACT TYPE)		cat. no. 10117184 Product - Customer Drw sheet 2 of 2

X-ON Electronics

Largest Supplier of Electrical and Electronic Components

Click to view similar products for [FFC & FPC Connectors](#) category:

Click to view products by [Amphenol](#) manufacturer:

Other Similar products are found below :

[HFW11R-1STE1H1LF](#) [FH29B-100S-0.2SHW\(99\)](#) [FA5S008HP1](#) [FH29B-120S-0.2SHW\(99\)](#) [FH29B-80S-0.2SHW\(99\)](#) [FHS-16](#) [FPH-2022G](#)
[52610-1075](#) [52610-1275](#) [52610-1934](#) [XF3M\(1\)-1415-1B-R100](#) [501864-3091-TR225](#) [0525594033](#) [086210010340800](#) [086222026001800](#)
[52271-2869-CUT-TAPE](#) [62674-201121DLF](#) [62684-36210E9ALF](#) [52610-1675](#) [52746-1671-TR250](#) [10051922-2810EHLF](#) [6-520415-9](#)
[BD021-09A-A1-0350-0200-0550-LD](#) [SFV6R-1STE9HLF](#) [XF3M-2915-1B-R100](#) [1658549-1](#) [62674-221121ALF](#) [46214008010800](#)
[046298003000883](#) [151660622](#) [842-816-2630-035](#) [AYF530665TA](#) [AYF351525](#) [046296011930846+](#) [AYF352325A](#) [046254020000800+](#)
[FH19C-13S-0.5SH\(99\)](#) [FH39J-51S-0.3SHW\(99\)](#) [AYF355125A](#) [AYF530365TA](#) [FH29B-44S-0.2SHW\(99\)](#) [SFW5R-2STAE9LF](#) [AYF351125A](#)
[AYF350725A](#) [62684-502100AHLF](#) [FH39-61S-0.3SHW\(99\)](#) [AYF414035A](#) [10064555-172520HLF](#) [AYF212335A](#) [504754-2500](#)