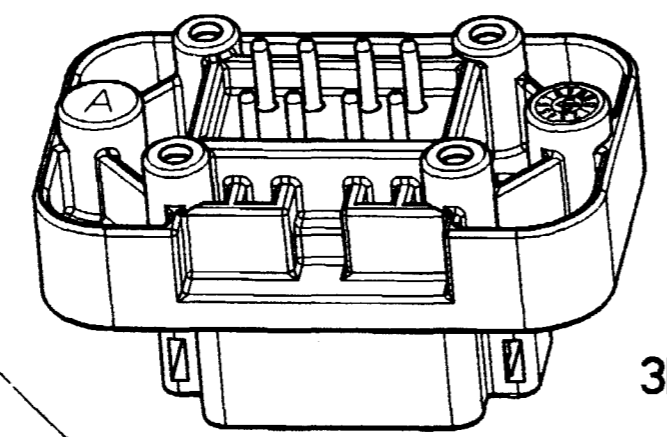
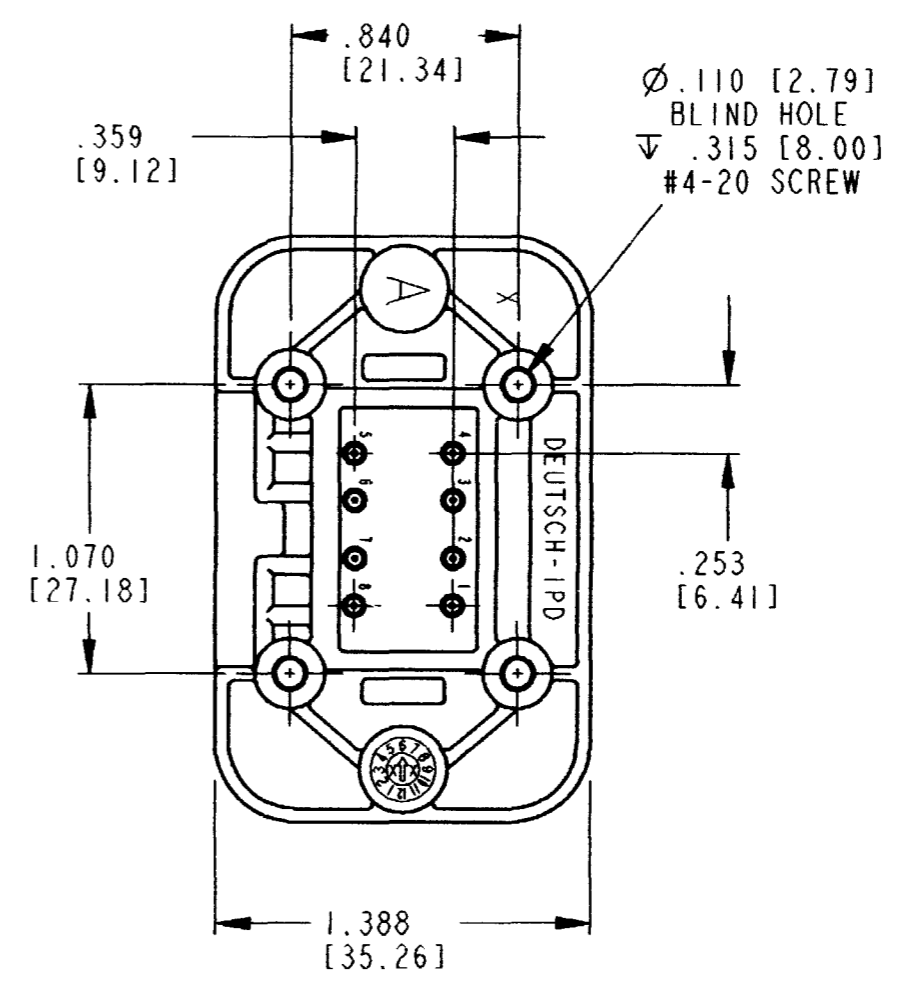
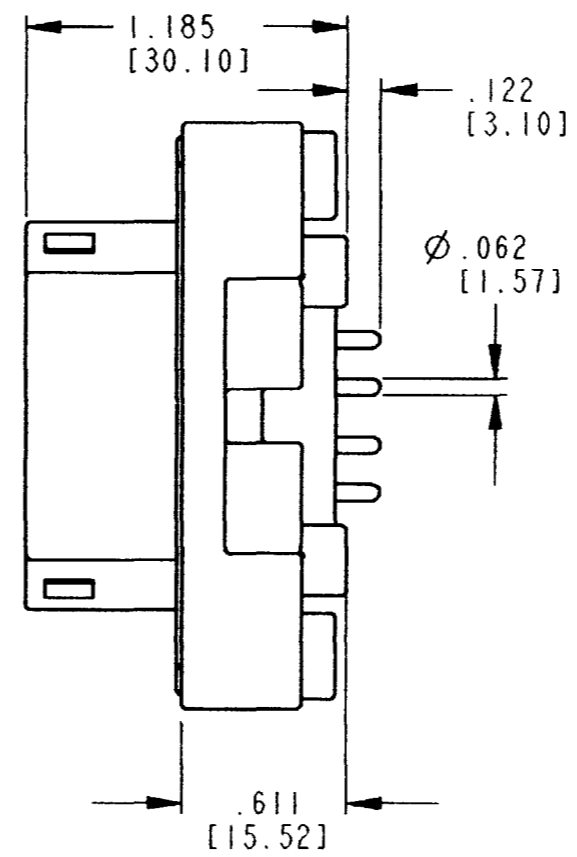
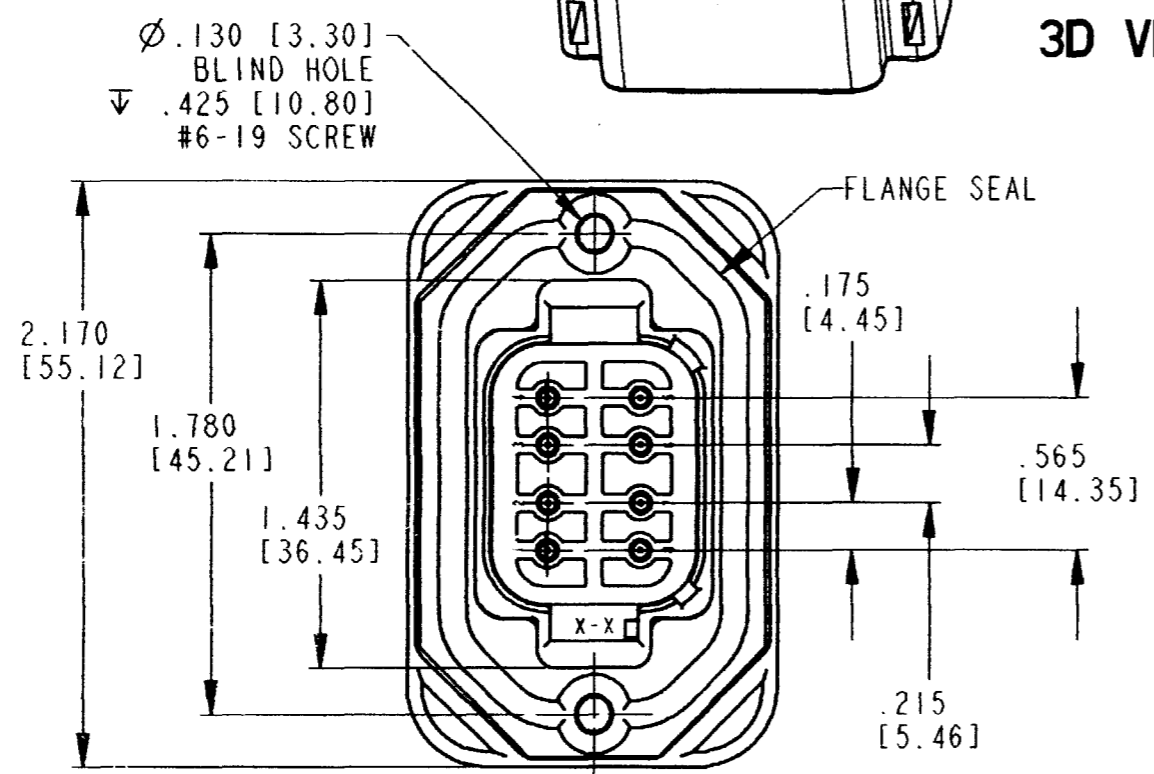


REV
D DT15-08P*

REVISIONS			
SYM	DESCRIPTION	DATE	APPROVED
A	REVISED PER E.O. A14754	10/28/94	R.R.
B	REACTIVATED PER E.O. P17409	10/23/01	R.D.R.
C	REVISED PER E.O. P 18200	6/16/03	RDR
D	REVISED PER E.O. P19401	11-20-06	RDR



3D VIEW



- 6. MOUNTING SCREW TORQUE VALUES ARE AS FOLLOWS:
#6-19 SCREWS: 13±2.0 IN-LB [1.47±.23 N-M].
#4-20 SCREWS: 8±2.0 IN-LB [0.90±.23 N-M].
VALUES VALID FOR PLASTITE 48 SCREWS ONLY.
- 5. RECOMMENDED MOUNTING SCREWS (NOT INCLUDED): CAMCAR PLASTITE 48.
- 4. THIS RECEPTACLE MATES WITH DT06-08S*-**** PLUG (**** = ALL MODIFICATIONS.)
- 3. SHELL MATERIAL: PLASTIC; FLANGE SEAL MATERIAL: RUBBER.
- 2. DIMENSION TOLERANCE: ±.025 [.64], PANEL CUTOUT ±.010 [.25].
- 1. DIMENSIONS ARE IN INCHES [mm].

NOTES:

SIGNATURE & DATE	
DR	K. McKEE 10/20/06
CHK	Dennis C. Gopert 11/16/06
PE	K. McKEE 11-10-06
APPD	S. Bend 11-14-06
SCALE	NONE WT

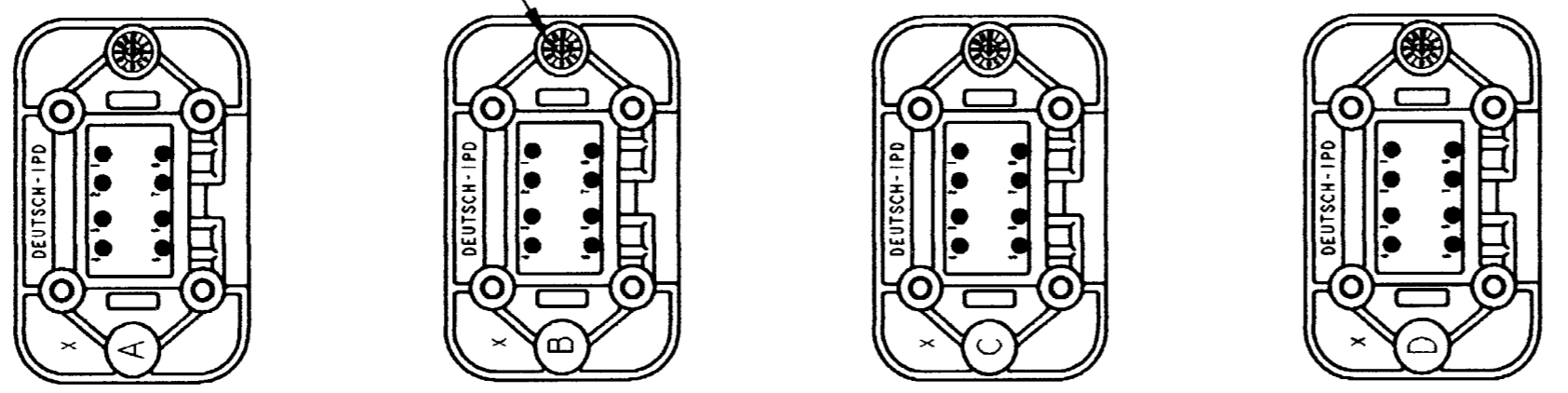
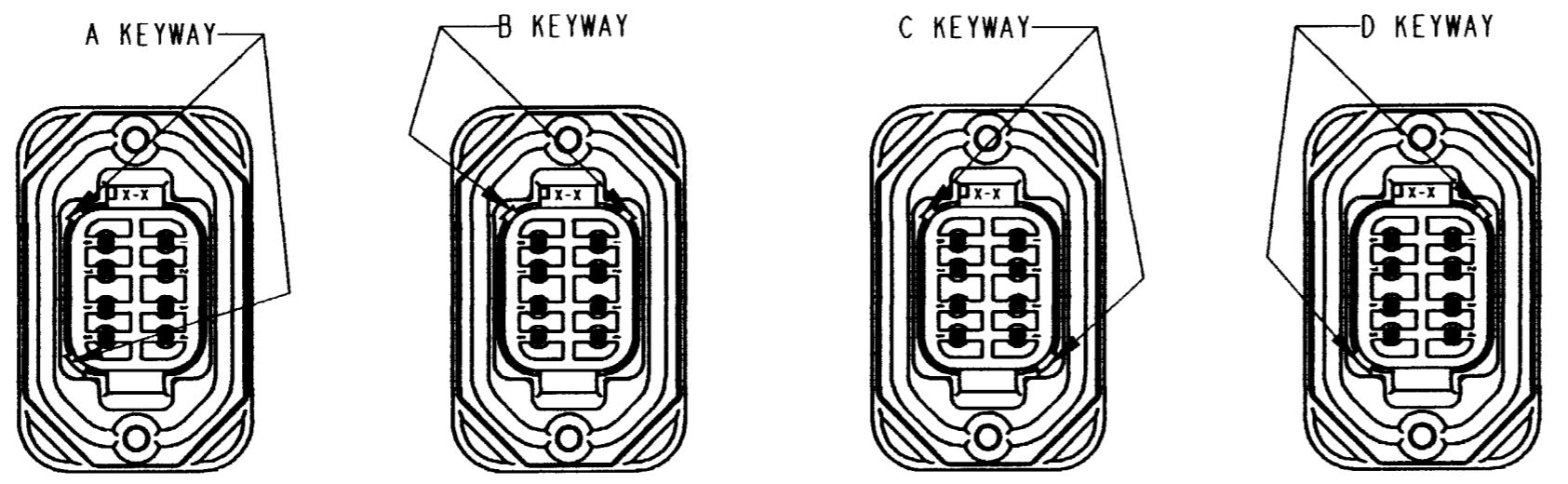
**PCB MOUNT
RECEPTACLE
8-PINS STRAIGHT
DT SERIES**

ENVELOPE

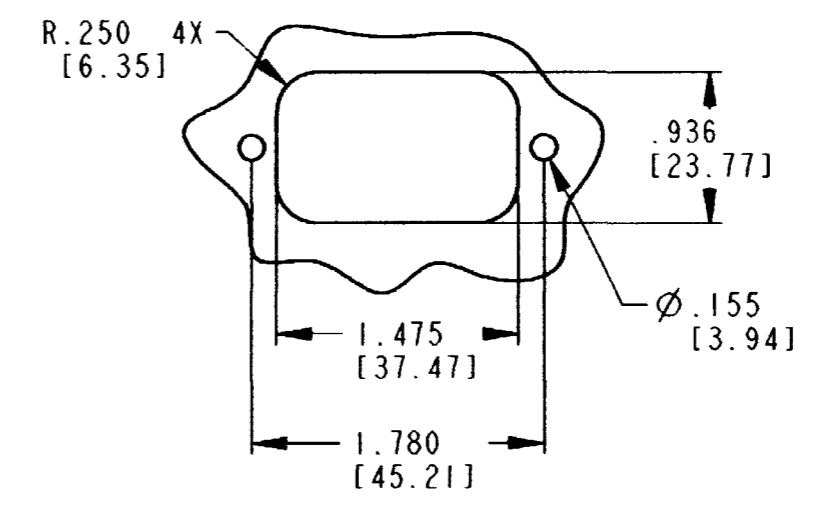
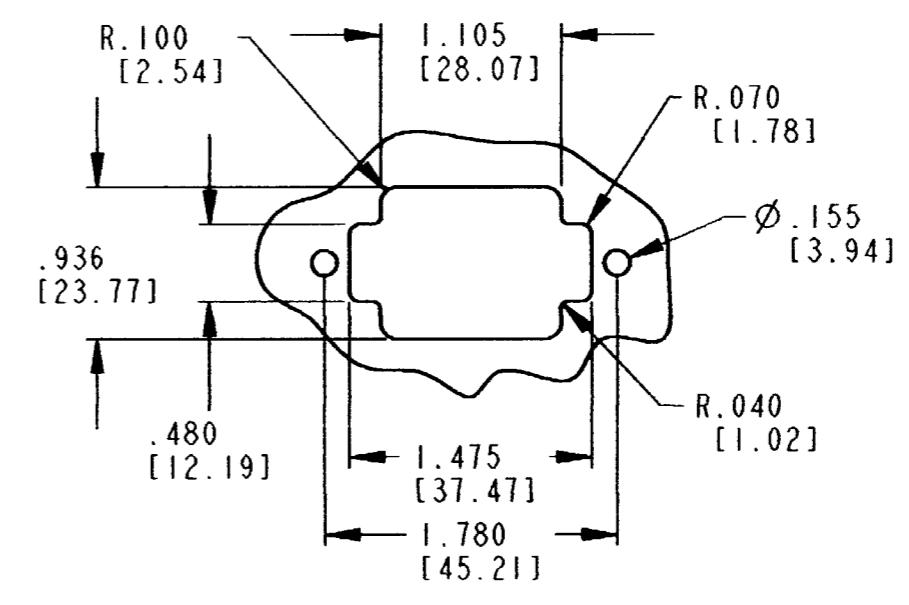
EP	MATL. CODE
The Deutsch Company DEUTSCH I.P.D. 3850 INDUSTRIAL AVE. HEMET, CALIF. 92545	
B	DT15-08P*
DWG. SIZE	CODE 11139 SHEET 1 OF 2

REV
D DT15-08P *

REVISIONS			
SYM	DESCRIPTION	DATE	APPROVED
D	SEE SHEET ONE	11-20-06	RDR



DT15-08PA COLOR GREY
DT15-08PB COLOR BLACK
DT15-08PC COLOR GREEN
DT15-08PD COLOR BROWN



NOTES:

SIGNATURE & DATE	
DR	K. MCKEE 10/20/06
CHK	Jenni C. Spontel 11/16/06
PE	K. McKee 11-10-06
APPD	S. Beard 11-14-06
SCALE	NONE
WT	

PCB MOUNT
RECEPTACLE
8-PINS STRAIGHT
DT SERIES

ENVELOPE

EP	MATL. CODE
The Deutsch Company DEUTSCH I.P.D. 3850 INDUSTRIAL AVE. HEMET, CALIF. 92545	
B	DT15-08P *
DWG SIZE	CODE 11139 SHEET 2 OF 2

X-ON Electronics

Largest Supplier of Electrical and Electronic Components

Click to view similar products for [Automotive Connectors](#) category:

Click to view products by [TE Connectivity](#) manufacturer:

Other Similar products are found below :

[003-018-000](#) [600858](#) [60403001](#) [60993906-B](#) [60993913-B](#) [629515004020001](#) [M902-2131](#) [M902-2161](#) [M902-2344](#) [72.330.1035.1](#)
[73.353.4028.0](#) [F118010](#) [F119300-B](#) [F132210](#) [F132210-B](#) [F166900](#) [F180100](#) [F258300](#) [F258300-B](#) [F294300-B](#) [F339100](#) [F339700](#) [F358300-](#)
[B](#) [F374110](#) [F407400](#) [F412210](#) [F427600](#) [F444110](#) [F487000](#) [F495100-B](#) [F500900-B](#) [F509500B-B](#) [770444-1](#) [776880-1](#) [827153-1](#) [881735-1](#)
[8N1515-32-24P](#) [9-1326727-8](#) [9-1326729-8](#) [925467-1](#) [925474-1](#) [928905-1](#) [936398-2](#) [964562-1](#) [964562-4](#) [964731-2](#) [965051-1](#) [968782-1](#)
[GT17SA-8DS-HU](#) [GT17VS-10DP-5.2CF](#)