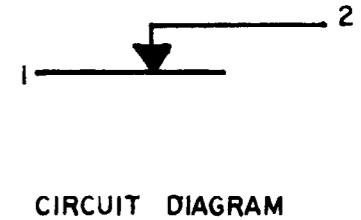


MICRO SWITCH
 FREEPORT ILLINOIS U S A
 A DIVISION OF HONEYWELL
 FED. MFG. CODE 91929

SWITCH-ENCLOSED

CATALOG LISTING
602EN532



602 EN532

PAGE 1 OF 1

M

DRAWING NUMBER

ISSUE 10

REVISIONS

A	PR 7995	
B	CO47573	
C	CO49037	
D	CO49806	
E	CO57370	
F	CO756128	
G	CO94274	
H	204911	

FO-32851-A

RASTER

FO-32851-A

DRAWN

13 JUL 79

GJW

CHECK

13 JUL 79

CHECK

13 JUL 79

CHECK

13 JUL 79

CHECK

13 JUL 79

CHECK

13 JUL 79

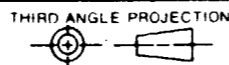
CHECK

13 JUL 79

CHECK

13 JUL 79

THIS DRAWING COVERS A PROPRIETARY ITEM AND IS THE PROPERTY OF MICRO SWITCH, A DIVISION OF HONEYWELL. THIS DRAWING IS NOT TO BE COPIED OR USED WITHOUT THE APPROVAL OF MICRO SWITCH.



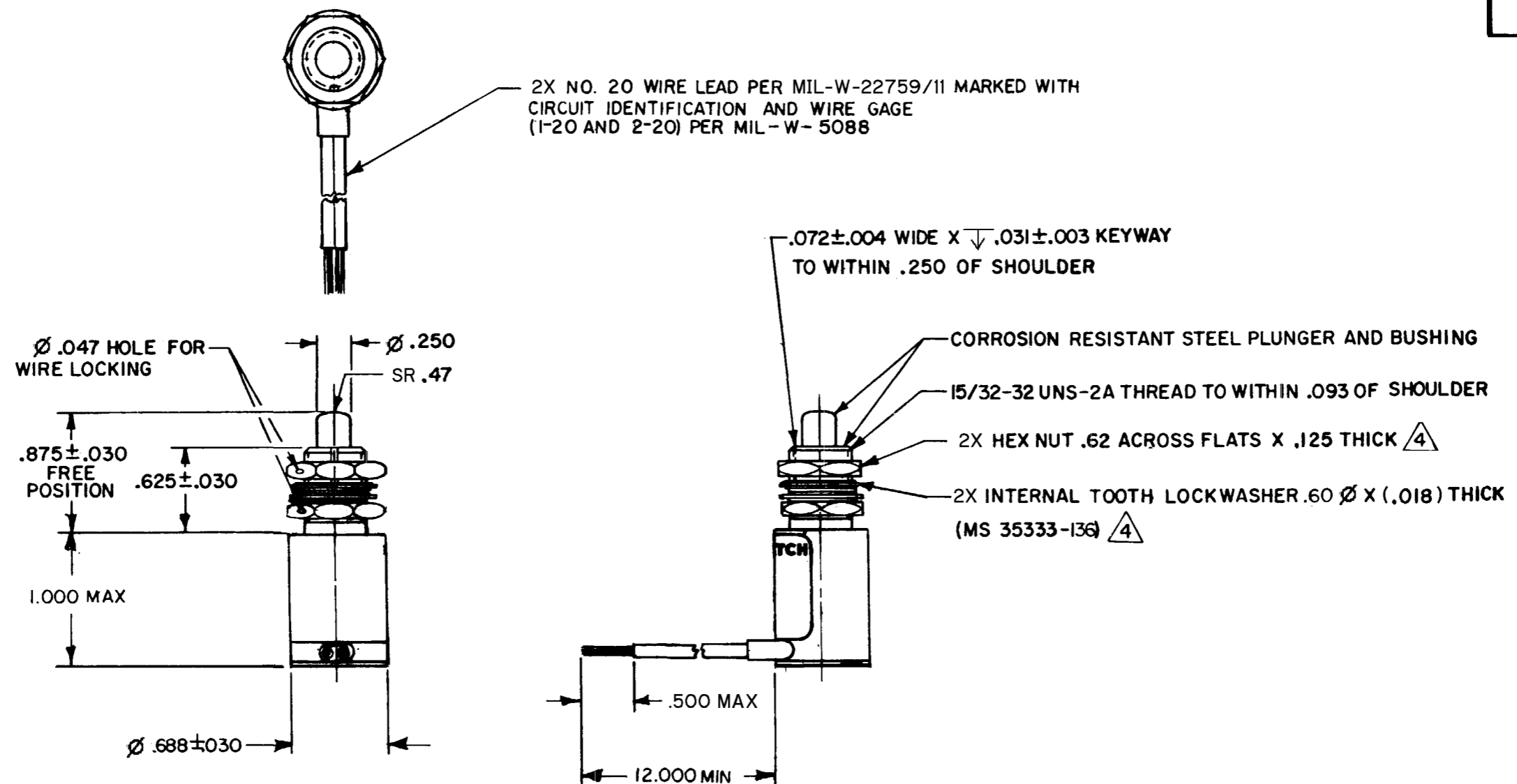
SCALE FULL
 DO NOT SCALE PRINT

CHARACTERISTICS	
OPERATING FORCE	3-6 LB
FULL OVERTRAVEL FORCE	17 LB MAX
RELEASE FORCE	2 LB MIN
PRETRAVEL	.040 MAX
DIFFERENTIAL TRAVEL	.020 MAX
OVERTRAVEL	.125 MIN

ELECTRICAL DATA	
CONTACT ARRANGEMENT S P N C	
28 VDC	
LOAD	SEA LEVEL 50,000 FT.
RES	7 7
IND	4 4
MOTOR	4
LAMP	

TOLERANCES			
APPLY TO DESIGN UNITS. CONVERSIONS ARE ONLY FOR REFERENCE. UNLESS NOTED, TOLERANCES ARE ±			
DIM.	TOL.	DIM.	TOL.
mm	mm/in	in	mm/in
NO PLACES	X	1/64	
ONE PLACE	X, X	0.4/018	X, X
TWO PLACES	X, XX	0.15/008	X, XX
THREE PLACES	X, XXX		X, XXX
ANGLES			
DESIGN UNITS		SI METRIC <input type="checkbox"/> US CUSTOMARY <input checked="" type="checkbox"/>	
RAW MATERIAL-COMMERCIAL STANDARD MICRO SWITCH STANDARDS APPLY			
DIMENSIONS ARE TO BE MET BEFORE PROTECTIVE COATINGS ARE APPLIED			
WEIGHT 2.5 OZ. MAX.			

ANSI Y14.5M-1982 APPLIES



- NOTES
- 1 - CORROSION RESISTANT STEEL ENCLOSURE
 - 2 - SWITCH SEALED PER MIL-PRF-8805 SYMBOL 4
 - 3 - CIRCUIT DIAGRAM, DATE CODE, FED. MFG. CODE AND CATALOG LISTING ARE SHOWN ON NAMEPLATE
 - (4) - HARDWARE MAY BE PACKAGED UNASSEMBLED PER MIL-PRF-8805

X-ON Electronics

Largest Supplier of Electrical and Electronic Components

Click to view similar products for [Basic / Snap Action Switches](#) category:

Click to view products by [Honeywell](#) manufacturer:

Other Similar products are found below :

[83228001](#) [01.098.1358.1](#) [602EN1-6B](#) [602EN532](#) [602EN535-RB](#) [602HE5-RB1](#) [604HE162](#) [604HE223-6B](#) [624HE17-RB](#) [6HM89](#) [6PA78-JM](#)
[6SE1](#) [6SX1-H58](#) [70500840](#) [MBD5B1](#) [MBH2731](#) [73-316-0012](#) [79211759](#) [79211923](#) [79218589](#) [7AS12](#) [ML-1155](#) [ML-1376](#) [831010C3.0](#)
[831060C3.TL](#) [831090C2.EL](#) [83131904](#) [84212012](#) [8AS239](#) [8HM73-3](#) [903VB1-PG](#) [914CE1-6G](#) [PL-100](#) [11SM1077-H4](#) [11SM1077-H58](#)
[11SM1-TN107](#) [11SM405](#) [11SM703-T](#) [11SM8423-H2](#) [11SX37-T](#) [11SX48-H58](#) [11SX55-H58](#) [11SM2442-T](#) [11SM76-T](#) [11SM77-H58](#)
[11SM77-T](#) [11SM863-T](#) [11SM866](#) [11SX47-H58](#) [A7CN-1M-1-LEFT](#)