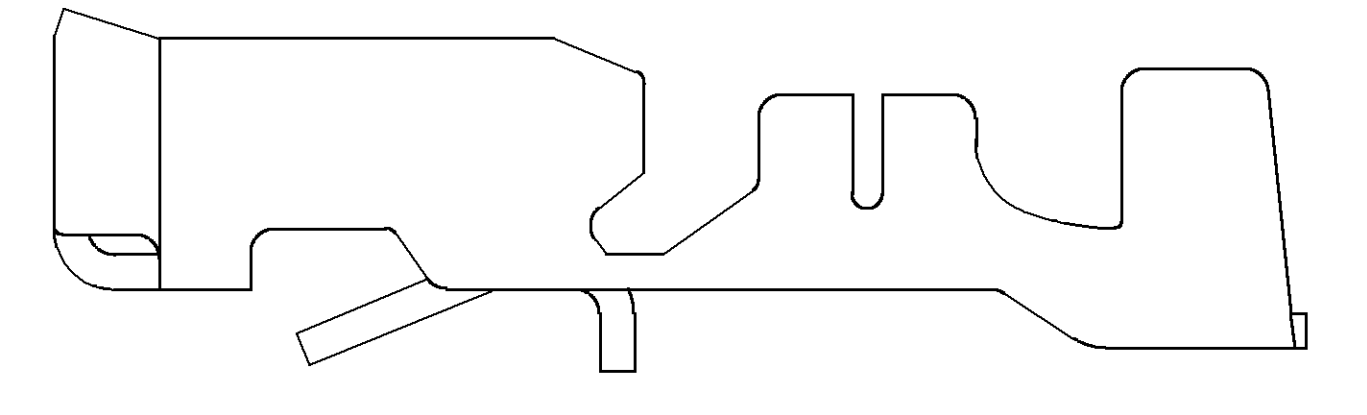
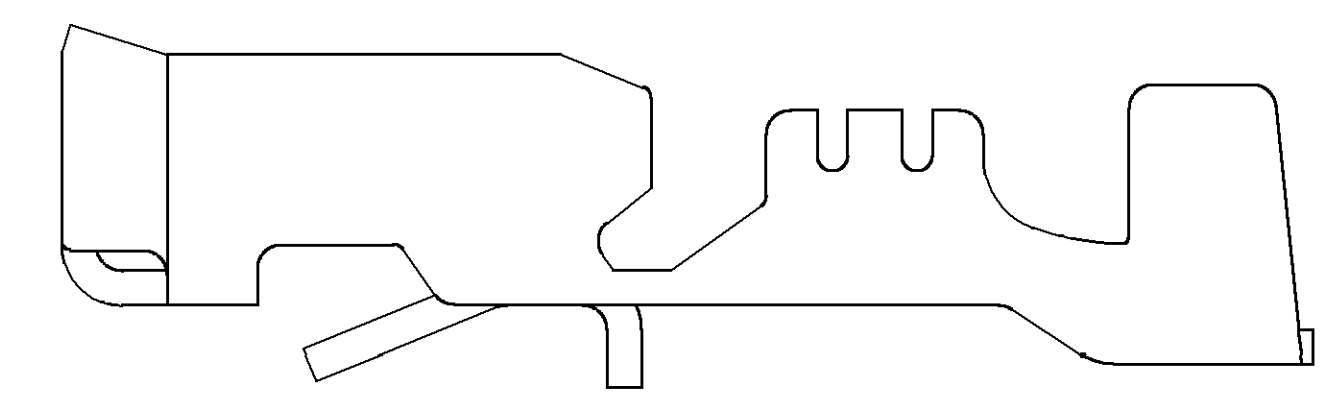


SYMBOL DEFINITION		MISSING SYMBOLS	
A DIMENSION WITHOUT AN INSPECTION REPORT SYMBOL DOES NOT REQUIRE INSPECTION. IT MAY BE CONTROLLED ON THE INDIVIDUAL COMPONENT DRAWING.	TOTAL NO OF INSPECTIONS REQUIRED	NO MISSING SYMBOL NUMBER	
	8		
	LAST NO. USED		
	8		

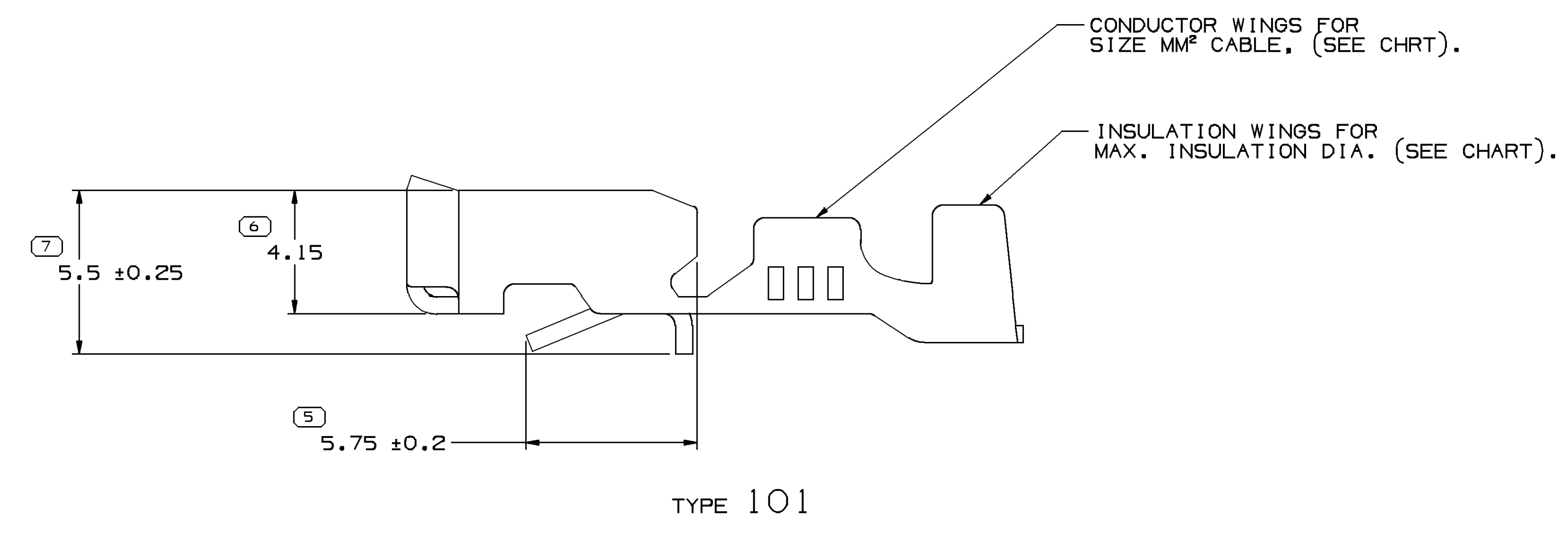
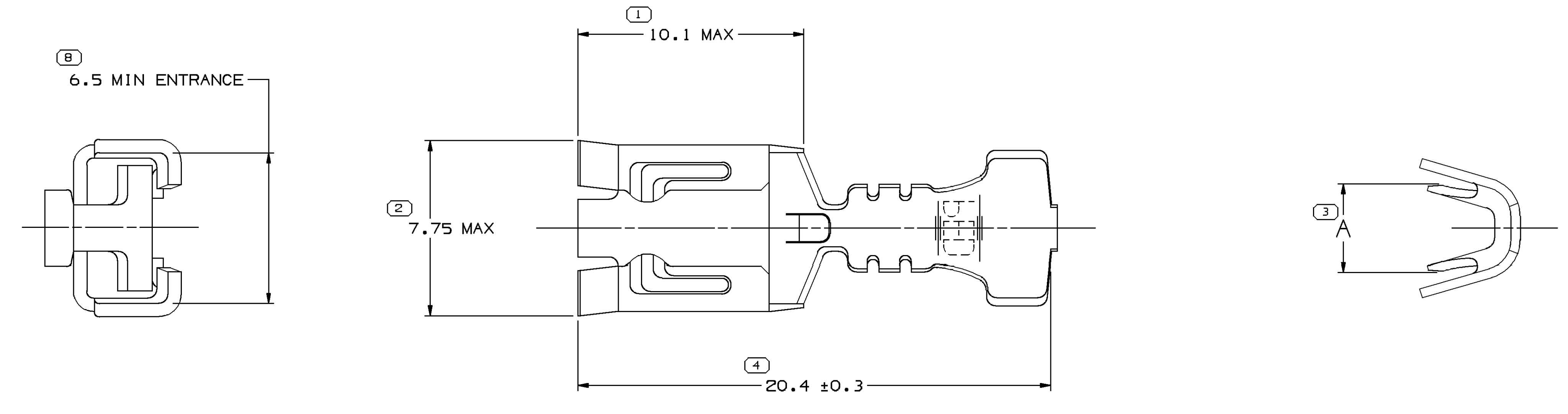
DWG STATUS					REVISION HISTORY				
DATE	STG	REV	N/P	ZONE	DATE	STG	REV	N/P	ZONE
11JUL01	R	01	-	-					
17JUL03	R	02	-	-	12020156 - PER ECN 211315 REV LEVEL L2 SHOULD BE K1, CORRECT REV LEVEL TO K2	211315	RVP	RVP	JH
01AUG06	R	03	-	-	12020156, 12033997 & 12066614 - MAT'L SPEC WAS P1519030	283052	MDH	JAA	MKM
18FEB15	R	04	-	-	12176854 - ADDED TARNISH INFO NOTE	428877	ABH	JVM	JSM



TYPE 102
SAME AS TYPE 101
EXCEPT AS SHOWN



TYPE 103
SAME AS TYPE 101
EXCEPT AS SHOWN



NOTES

- UNLESS OTHERWISE SPECIFIED AND/OR INDICATED:
DIMENSIONS ARE TO FACE OF VIEW SHOWN AND AUTOMATICALLY ROUNDED BY COMPUTER FOR INSPECTION (SEE MATH MODEL FOR PRECISE DIMENSIONS). FOR ALL OTHER DIMENSIONS NOT SHOWN BUT REQUIRED FOR TOOL BUILD, SEE MATH MODEL FOR PRECISE TOOL PATH DATA.
- RECOMMENDED MATING BLADES - (1) METRI-PACK (0.86/0.79 THK. X 6.38/6.22 WIDE)
(2) AUTOFUSE (0.69/0.61 THK X 5.355/5.11 WIDE)
- THIS PART FOR DIAGNOSTIC INDUSTRY APPLICATIONS.
- DO NOT PROBE, TEST OR OTHERWISE CONTACT THE INTERIOR REGION (THE SPRING OR ANY MOVING PART) OF THIS TERMINAL. SEVERE DAMAGE CAN OCCUR, COMPROMISING THE PERFORMANCE OF THE ELECTRICAL INTERFACE.
- FOR TERMINALS PACKAGED & STORED IN THE APPROVED MANNER, TARNISH ON SILVER PLATED SURFACES WILL NOT AFFECT THE PERFORMANCE OF THE PART.

PART NO	REV N/P	MAT'L SIZE	MAT'L SPEC	PART NO	REV N/P	MAT'L SIZE	MAT'L SPEC
12066506	A	0.406 X 35.71	COPPER ALLOY	12176854	A3	0.406 X 35.71	AG PLATED COPPER ALLOY
12066505	B	0.406 X 35.71	COPPER ALLOY	12020156	K3	0.406 X 35.71	TIN PLATED COPPER ALLOY
12066504	B	0.406 X 35.71	COPPER ALLOY	12066614	A2	0.406 X 35.71	TIN PLATED COPPER ALLOY
				12033997	E3	0.406 X 35.71	TIN PLATED COPPER ALLOY
				12066157	H	0.406 X 35.71	TIN PLATED COPPER ALLOY

PROCESS SENSITIVE DIMENSION	THIRD ANGLE PROJECTION	DO NOT SCALE
4	AS SHOWN	USE MATH DATA

DELPHI
DELPHI PACKARD ELECTRICAL/ELECTRONIC ARCHITECTURE
WARREN, OH
COPYRIGHT 1988 DELPHI CORPORATION AND/OR ITS AFFILIATES. ALL RIGHTS RESERVED.
THIS DRAWING IS THE PROPERTY OF DELPHI CORPORATION AND CONTAINS DELPHI CONFIDENTIAL INFORMATION. THE REPRODUCTION, DISTRIBUTION AND UTILIZATION OF THIS DOCUMENT OR ITS CONTENTS TO ANY OTHERS, WITHOUT EXPRESS AUTHORIZATION, IS PROHIBITED.

DATE: 11-Nov-15 Time: 07:17

DRAWING NUMBER: TAXI TERM F W/P 630

DRAWING NUMBER: 12020155

SIZE: A0 SCALE: B:1 FRAME NO: 1 OF 1 SHEET NO: 1 OF 3 REV: 04