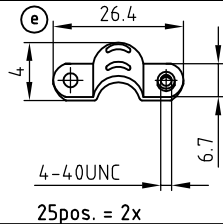
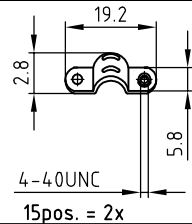
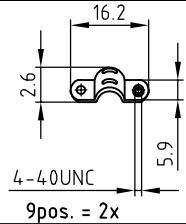
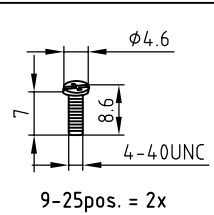
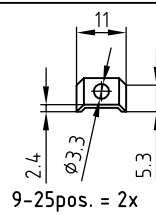
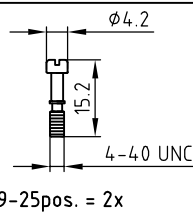
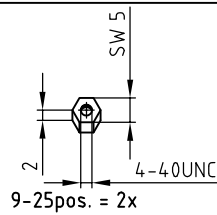
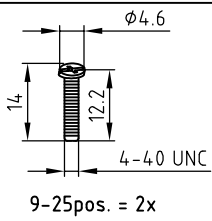
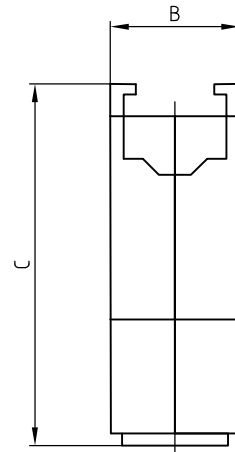
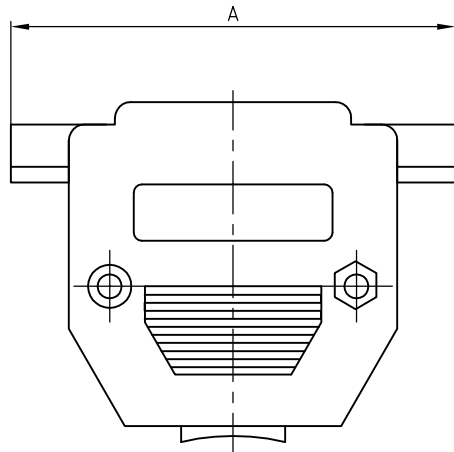
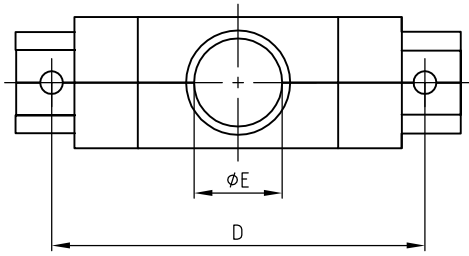


used for: D-SUB



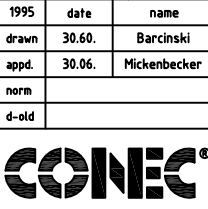
POS.	A	B	C	D	E	Colour	Part-No.
9	30.5	16	41	25	7	grey	300X10169X
						metallized	300X10109X
15	40	16.2	37.4	33.3	9.9	grey	300X10179X
						metallized	300X10119X
25	55	16.5	44.5	47	10.7	grey	300X10209X
						metallized	300X10149X

RoHS compliant

THIS DRAWING MAY NOT BE COPIED OR REPRODUCED IN ANY WAY, AND MAY NOT BE PASSED ON TO A THIRD PARTY, WITHOUT WRITTEN PERMISSION. OWNERSHIP AND COPYRIGHT OF CONEC GmbH DO NOT ALTER CAD DRAWING BY HAND

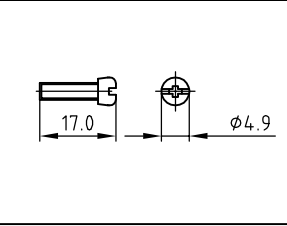
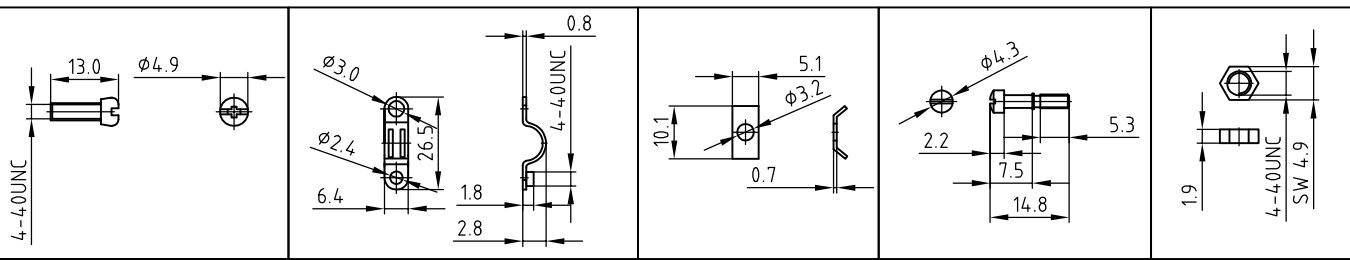
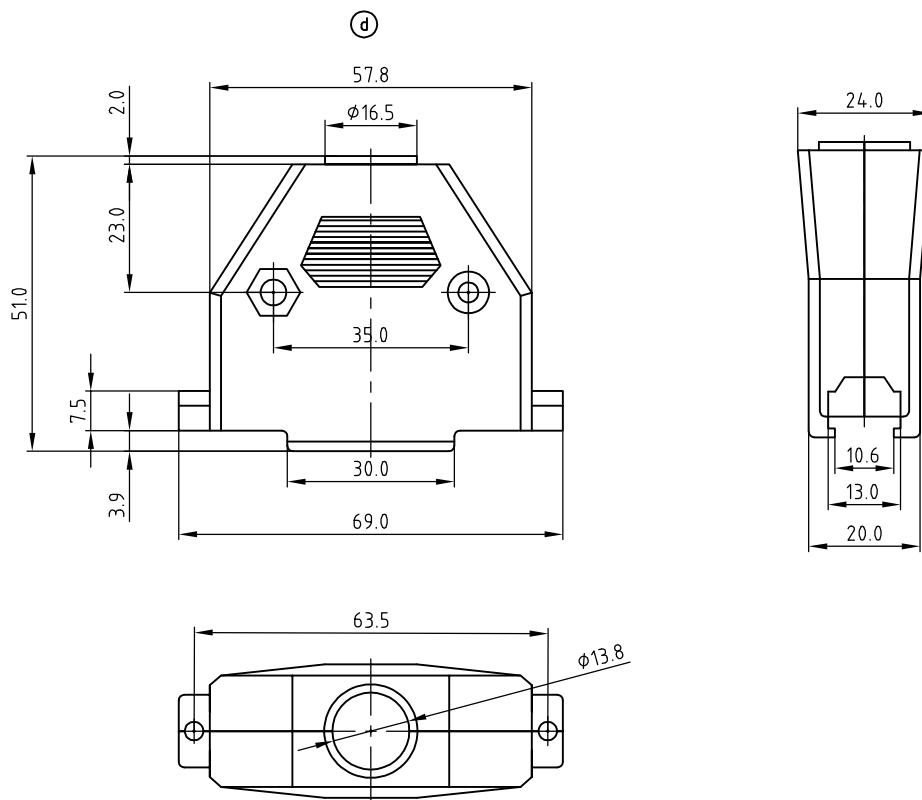
rev.	description	date	name
1 x e	Ä6582	15.03.2017	Lehmen, norm
2 x d	Ä 6248	05.08.2016	Unkr. d-old
1 x c	Ä 2309	07.09.2005	Lehmen,
2 x b	Ä 2298	19.08.2005	Lehmen,

1995	date	name
drawn	30.60.	Barcinski
appd.	30.06.	Mickenbecker



tolerance	scale: 2:1
.X ±0.30	material:
.XX ±0.20	title:
.XXX ±0.10	TWO-PIECE SHELL HOOD
dim. in mm	9-25pos.
	with short screw
	dwg no:
	16V1103A
	part no: SEE TABLE
	DIN-A 3 sh:1/4

used for: D-SUB

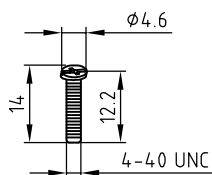
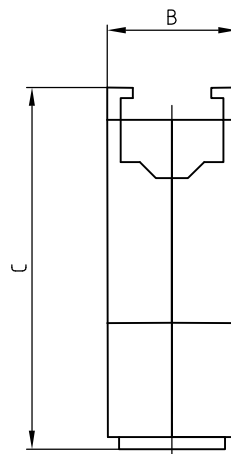
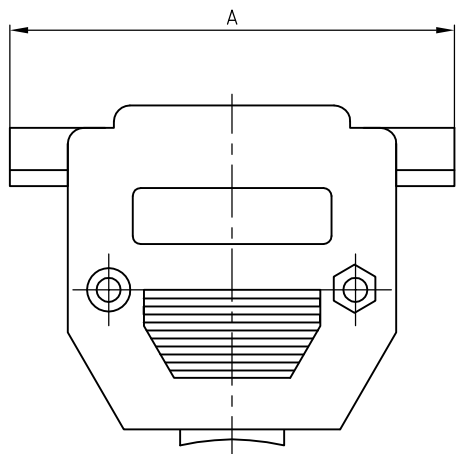
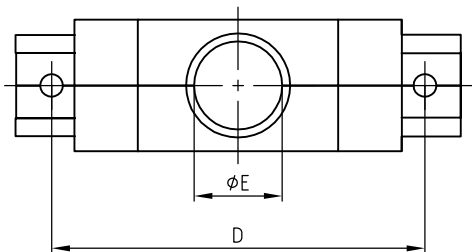


d	
Colour	Part-No.
grey	300X10219X
metallized	300X10159X

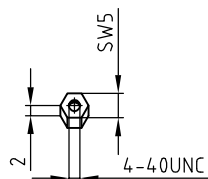
THIS DRAWING MAY NOT BE COPIED OR REPRODUCED IN ANY WAY, AND MAY NOT BE PASSED ON TO A THIRD PARTY, WITHOUT WRITTEN PERMISSION. OWNERSHIP AND COPYRIGHT OF CONEC GmbH DO NOT ALTER CAD DRAWING BY HAND	tolerance			dim. in mm	scale: 2:1	
	X ±0.30 .XX ±0.20 .XXX ±0.10				material:	
	1995	date	name		title: TWO-PIECE SHELL HOOD 37pos. with short screw	
	drawn	30.60.	Barcinski			
	appd.	30.06.	Mickenbecker			
norm						
2 x d	Ä 6248	05.08.2016	Unkr.	d-old	dwg no:	DIN-A
1 x c	Ä 2309	07.09.2005	Lehmen.		16V1103A	3
2 x b	Ä 2298	19.08.2005	Lehmen.			sh:2/4
rev.	description	date	name			part no: SEE TABLE

RoHS compliant

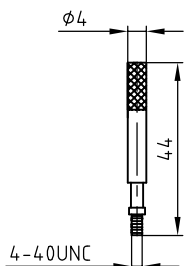
used for: D-SUB



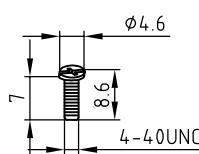
9-25pos. = 2x



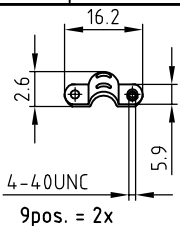
9-25pos. = 2x



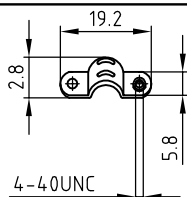
9-25pos. = 2x



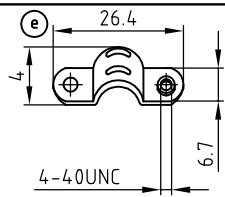
9-25pos. = 2x



9pos. = 2x



15pos. = 2x



25pos. = 2x

POS.	A	B	C	D	E	Colour	Part-No.
9	30.5	16	41	25	7	grey	300X10829X
						metallized	300X10879X
15	40	16.2	37.4	33.3	9.9	grey	300X10839X
						metallized	300X10889X
25	55	16.5	44.5	47	10.7	grey	300X10859X
						metallized	300X10909X

RoHS compliant

THIS DRAWING MAY NOT BE COPIED OR REPRODUCED IN ANY WAY, AND MAY NOT BE PASSED ON TO A THIRD PARTY, WITHOUT WRITTEN PERMISSION. OWNERSHIP AND COPYRIGHT OF CONEC GmbH DO NOT ALTER CAD DRAWING BY HAND

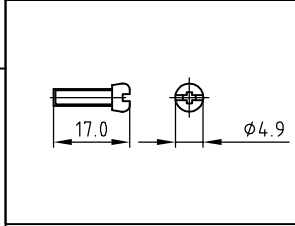
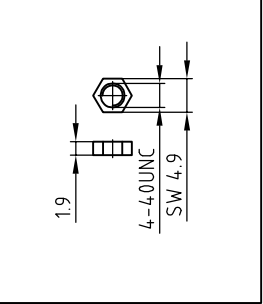
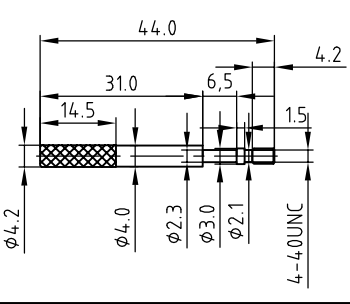
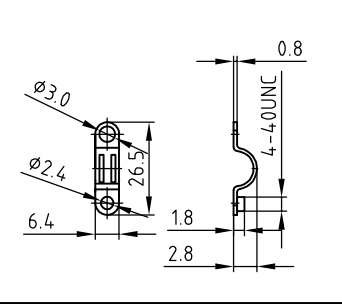
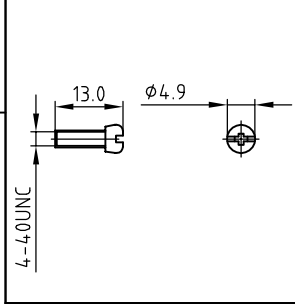
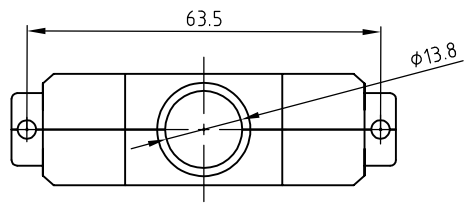
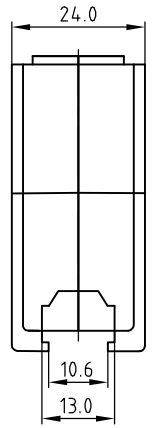
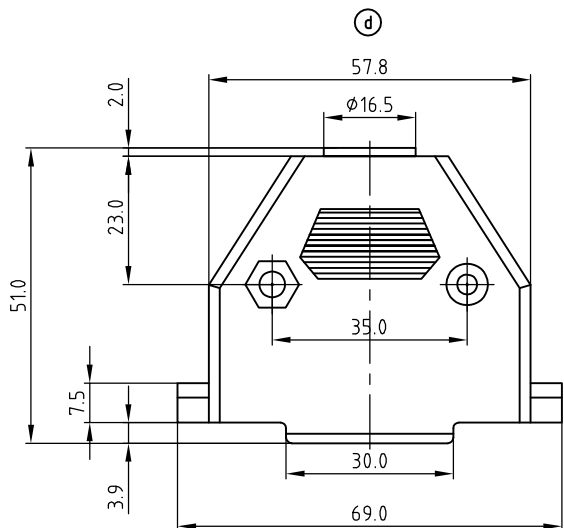
rev.	description	date	name
1 x e	Ä6582	15.03.2017	Lehmen, norm
2 x d	Ä 6248	05.08.2016	Unkr. d-old
1 x c	Ä 2309	07.09.2005	Lehmen,
2 x b	Ä 2298	19.08.2005	Lehmen,

tolerance
 .X ±0.30
 .XX ±0.20
 .XXX ±0.10
 dim. in mm

scale: 2:1
 material:
 title: TWO-PIECE SHELL HOOD
 9-25pos.
 with long screw
 dwg no: DIN-A 3 sh:3/4
 part no: SEE TABLE



used for: D-SUB



d	
Colour	Part-No.
grey	300X10869X
metallized	300X10919X

THIS DRAWING MAY NOT BE COPIED OR REPRODUCED IN ANY WAY, AND MAY NOT BE PASSED ON TO A THIRD PARTY, WITHOUT WRITTEN PERMISSION. OWNERSHIP AND COPYRIGHT OF CONEC GmbH DO NOT ALTER CAD DRAWING BY HAND	tolerance		dim. in mm		scale: 2:1
		1995	date	name	title: TWO-PIECE SHELL HOOD 37pos. with long screw
		drawn	30.60.	Barcinski	
		appd.	30.06.	Mickenbecker	
		norm			
2 x d	Ä 6248	05.08.2016	Unkr.	d-old	dwg no:
1 x c	Ä 2309	07.09.2005	Lehmen.		16V1103A part no: SEE TABLE
2 x b	Ä 2298	19.08.2005	Lehmen.		
rev.	description	date	name		

RoHS compliant

DIN-A
3
sh:4/4

X-ON Electronics

Largest Supplier of Electrical and Electronic Components

Click to view similar products for [D-Sub Backshells](#) category:

Click to view products by [CONEC](#) manufacturer:

Other Similar products are found below :

[173114-0084](#) [173112-1658](#) [600X51137X](#) [600X54009X](#) [66241-12A](#) [M85049/48-1-2](#) [M85049/48-3-5F](#) [M85049/6-38N](#) [M85049/86-12N03](#)
[70.350.0636.4](#) [70.350.2435.1](#) [72.350.1035.2](#) [72.352.2435.1](#) [73.359.4035.3](#) [799-015TMH07M](#) [799-015TMH08N](#) [FKH1RE](#) [829472-1](#) [F-](#)
[PHG-1E](#) [F-PHG-3E](#) [F-PHG-4E](#) [F-PHR-4E](#) [PCS-E20W](#) [8655MHRA0901KLF](#) [8655MHRA2501KLF](#) [958-009-010R011](#) [970-015-040R011](#)
[970-025-030R121](#) [970-025-040R011](#) [971-009-030R121](#) [971-009-040R011](#) [971-015-040R011](#) [971-025-040R011](#) [GS85049/38-25M](#) [975T009-](#)
[020R121](#) [975T015-020R121](#) [1-21986-2](#) [1-21986-5](#) [DB-20962](#) [DE-C8-J9-F4-1R](#) [DE-C8-J9-F5-1R](#) [DPH-B-003](#) [1437013-9](#) [1484402-8](#)
[MS3057-10A](#) [156-3025-EX](#) [MS3417-16C](#) [16-500800](#) [165X02659X](#) [165X03329A](#)