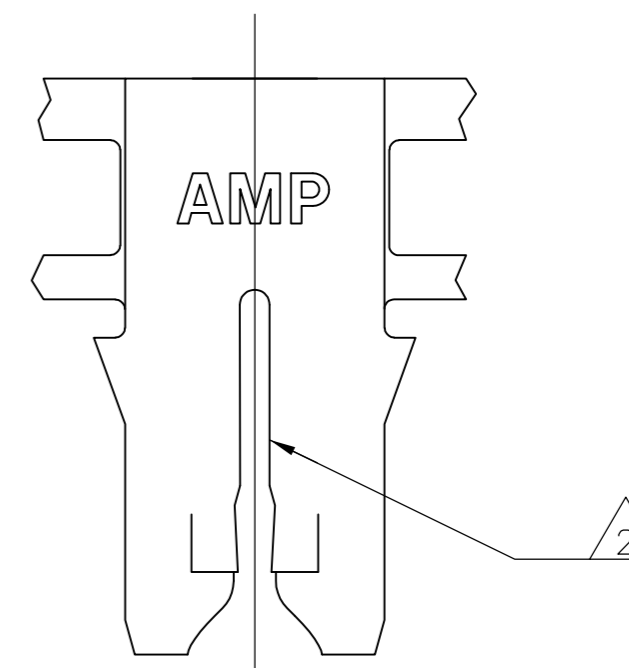
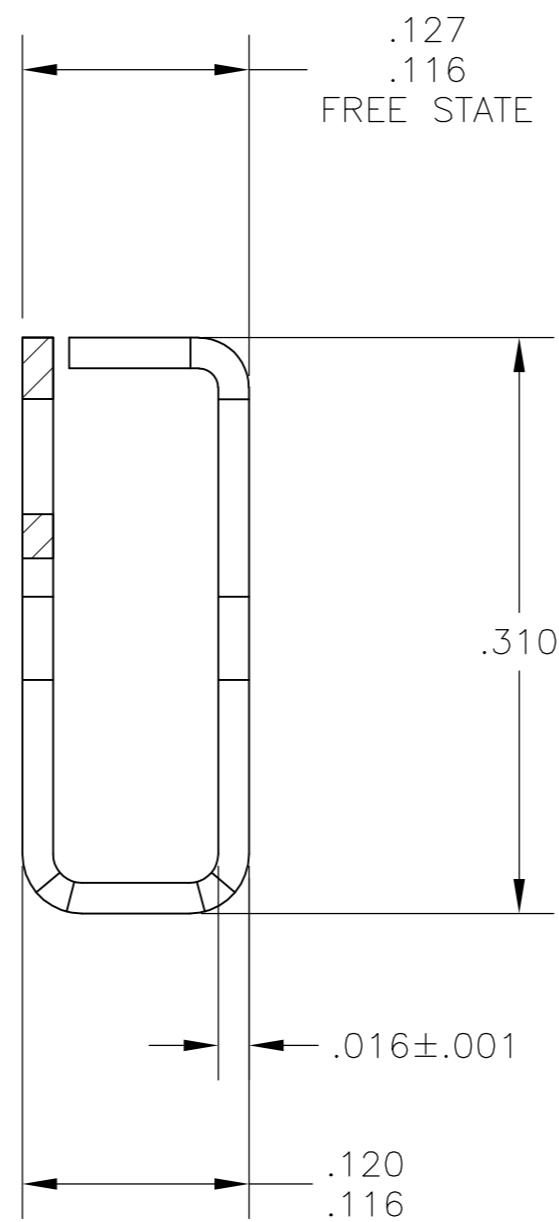
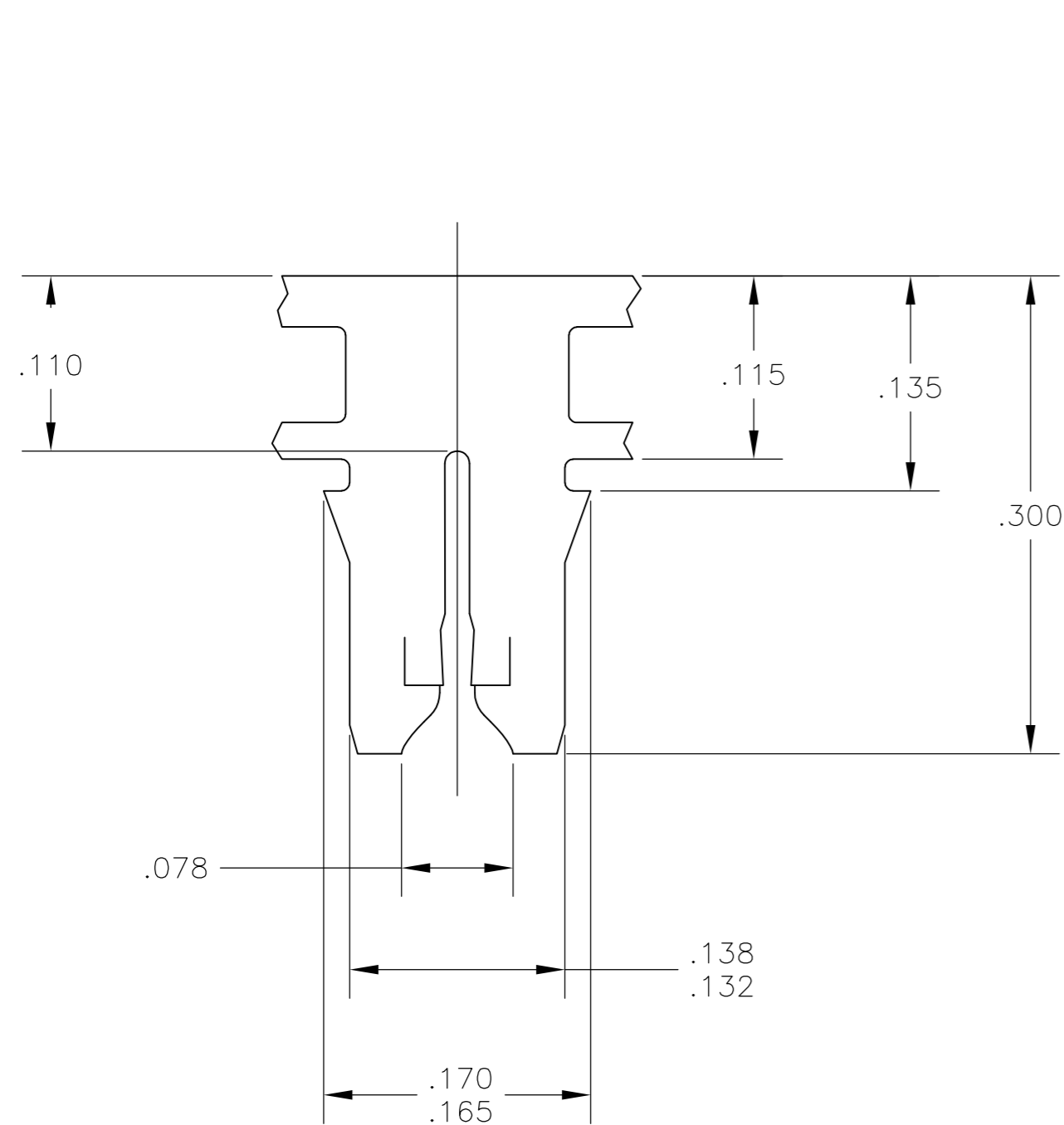
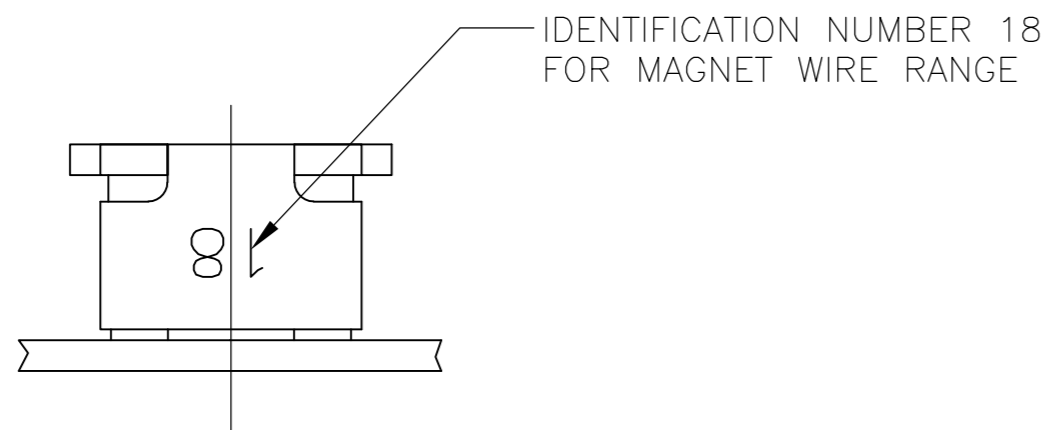


THIS DRAWING IS UNPUBLISHED. RELEASED FOR PUBLICATION
 © COPYRIGHT - By - ALL RIGHTS RESERVED.

LOC		DIST		REVISIONS			
P	LTR	DESCRIPTION		DATE	DWN	APVD	
	B6	REVISED PER ECR ECR-13-011405		17JUL13	GRZ	DZ	

- 1 CONTINUOUS STRIP ON REELS (NO SPLICES) WITH TERMINALS LOCATED ON $.220 \pm .003$ CENTERS.
- 2 SLOT ACCEPTS 0.64-0.81mm [#22-#20] AWG COPPER MAGNET WIRE. SINGLE OR DOUBLE WIRE OF THE SAME SIZE AND TYPE.
- 3 PREPRODUCTION - FASR REQUIRED
- 4 SPECIAL CAVITY ANVIL LOCATION REQUIRED 4.83 ± 0.07 [.190 ± .003] REF APPLICATION SPEC 114-2046, SEC. 3.2 NOTE 7 REVISION T OR LATER.



REVERSE	1217973-2
OBSOLETE STANDARD	3 1217973-1
REELING	PART NUMBER

THIS DRAWING IS A CONTROLLED DOCUMENT.		DWN	15JUL03																		
DIMENSIONS: INCHES		CHK	15JUL03																		
TOLERANCES UNLESS OTHERWISE SPECIFIED:		APVD	15JUL03																		
<table border="1"> <tr><td>0 PLC</td><td>±</td><td>-</td></tr> <tr><td>1 PLC</td><td>±</td><td>-</td></tr> <tr><td>2 PLC</td><td>±</td><td>.010</td></tr> <tr><td>3 PLC</td><td>±</td><td>-</td></tr> <tr><td>4 PLC</td><td>±</td><td>-</td></tr> <tr><td>ANGLES</td><td>±</td><td>-</td></tr> </table>		0 PLC	±			-	1 PLC	±	-	2 PLC	±	.010	3 PLC	±	-	4 PLC	±	-	ANGLES	±	-
0 PLC	±	-																			
1 PLC	±	-																			
2 PLC	±	.010																			
3 PLC	±	-																			
4 PLC	±	-																			
ANGLES	±	-																			
MATERIAL: H04 PHOS BRONZE		PRODUCT SPEC	108-2012	TERMINAL, SPLICE, MAG-MATE																	
FINISH: .000080 MIN TIN OVER .000020 MIN NICKEL		APPLICATION SPEC	114-2046 4	SIZE	A2																
		WEIGHT	-	CAGE CODE	00779																
		CUSTOMER DRAWING		DRAWING NO	1217973																
				RESTRICTED TO	-																
				SCALE	10:1																
				SHEET	1 of 1																
				REV	B6																

X-ON Electronics

Largest Supplier of Electrical and Electronic Components

Click to view similar products for [Automotive Connectors](#) category:

Click to view products by [TE Connectivity](#) manufacturer:

Other Similar products are found below :

[003-018-000](#) [600858](#) [60403001](#) [60993906-B](#) [60993913-B](#) [629515004020001](#) [M902-2131](#) [M902-2161](#) [M902-2344](#) [72.330.1035.1](#)
[73.353.4028.0](#) [F118010](#) [F119300-B](#) [F132210](#) [F132210-B](#) [F166900](#) [F180100](#) [F258300](#) [F258300-B](#) [F294300-B](#) [F339100](#) [F339700](#) [F358300-](#)
[B](#) [F374110](#) [F407400](#) [F412210](#) [F427600](#) [F444110](#) [F487000](#) [F495100-B](#) [F500900-B](#) [F509500B-B](#) [770444-1](#) [776880-1](#) [827153-1](#) [881735-1](#)
[8N1515-32-24P](#) [9-1326727-8](#) [9-1326729-8](#) [925467-1](#) [925474-1](#) [928905-1](#) [936398-2](#) [964562-1](#) [964562-4](#) [964731-2](#) [965051-1](#) [968782-1](#)
[GT17SA-8DS-HU](#) [GT17VS-10DP-5.2CF](#)