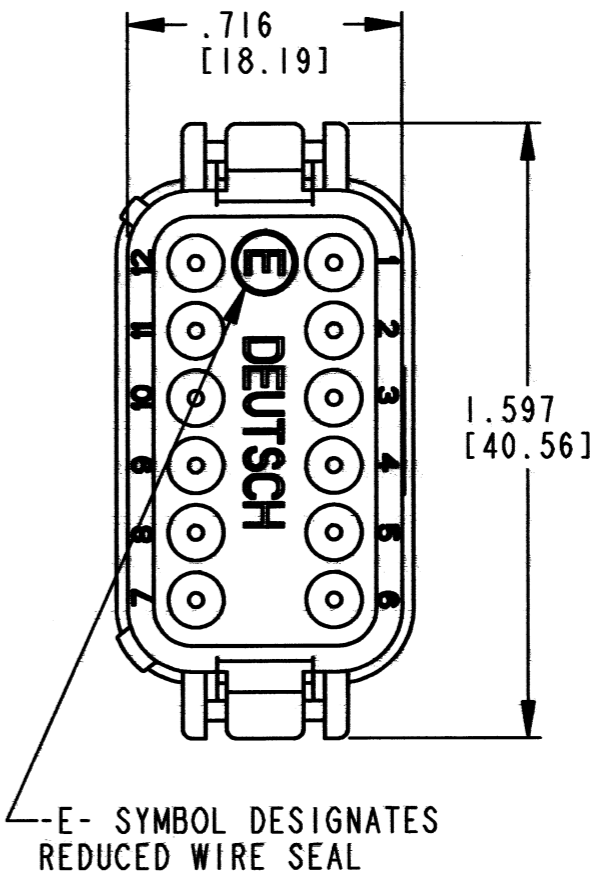
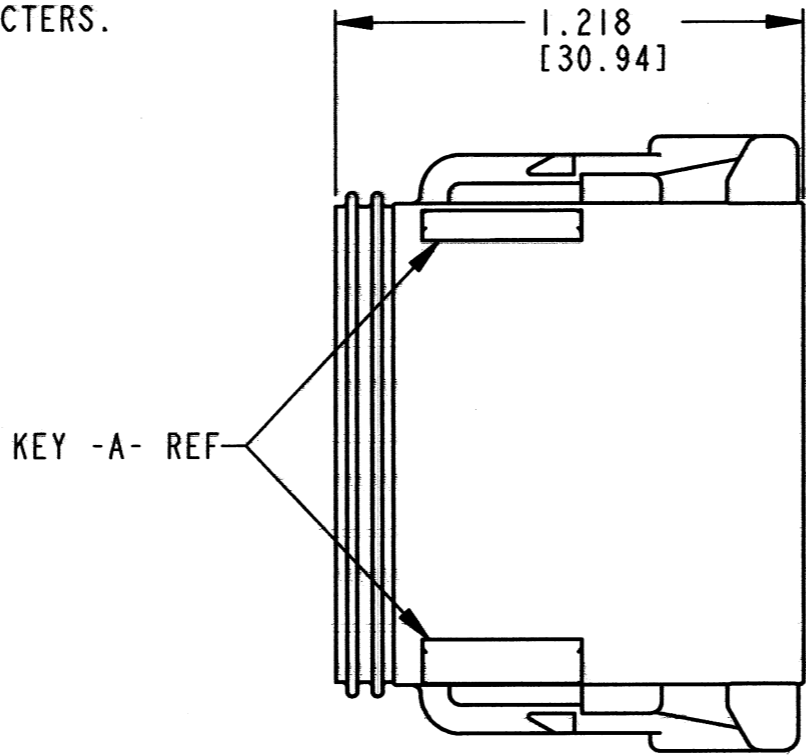
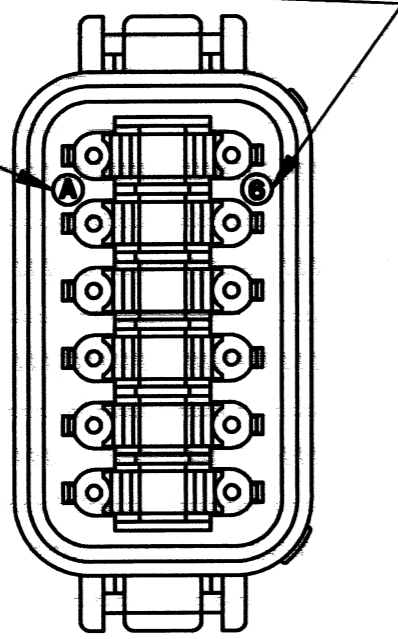


REV
C DT06-12S*-C015

REVISIONS			
SYM	DESCRIPTION	DATE	APPROVED
NC	NEW RELEASE PER E.O. P18121	5/2/03	R.D.R.
A	REVISED PER E.O. P19440	1/3/07	R.D.R.
B	REVISED PER E.O. P19895	6/16/08	R.D.R.
C	REVISED PER E.O. P21433	9-12-12	RDR

DATE CODE: YEAR TO BE REPRESENTED BY LAST NUMERICAL DIGIT. EX: 6 = 2006. MONTH USES SEQUENTIAL ALPHA CHARACTERS. EX: A = JANUARY.



5. MATERIAL: SHELL: PLASTIC; SEAL: RUBBER

4. FOR CONTACTS AND WIRE PERFORMANCE AND APPLICATION CHARACTERISTICS, SEE ENVELOPE DRAWING 0425-015-0000 AND 0425-017-0000.

3. THIS PLUG MATES WITH DT04-12P*-**** (* = KEY ARR, **** = ALL MODIFICATIONS) CONSULT FACTORY FOR MODIFICATIONS.

2. DIMENSIONS ARE ±.025[.64] UNLESS OTHERWISE SPECIFIED.

1. DIMENSIONS ARE IN INCHES [MILLIMETERS].

NOTES:

CONTACT SIZE	MIN. INSUL. O.D.	MAX. INSUL. O.D.	WIRE RANGE [mm ²] REF ONLY
16	.053 [1.35]	.120 [3.05]	14-20 AWG [2.0-0.5]

SIGNATURE & DATE	
DR	X. SANCHEZ 17APR03
CHK	A. M. [Signature] 9/12/12
PE	R. [Signature] 8/13/12
APPD	[Signature] 9/18/12
SCALE	NONE

12 WAY PLUG WITH REDUCED WIRE SEAL -C015 MOD. DT SERIES

ENVELOPE

EP

MATL. CODE

3850 INDUSTRIAL AVE. HEMET, CA 92545

DEUTSCH INDUSTRIAL

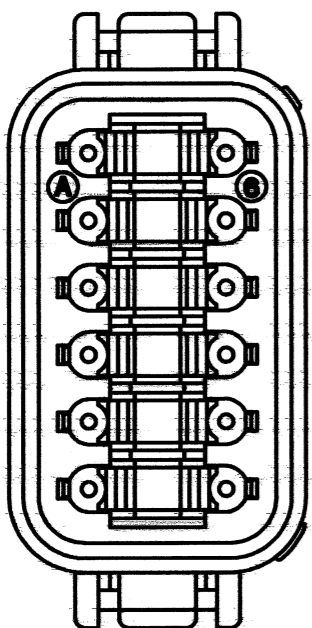
B DT06-12S*-C015

DWG SIZE 11139 SHEET 1 OF 2

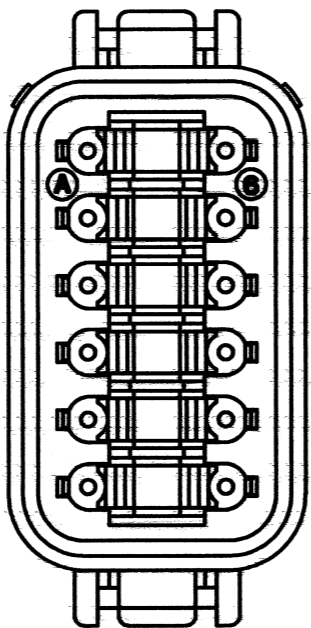
REV
C DT06-12S*-C015

REVISIONS			
SYM	DESCRIPTION	DATE	APPROVED
C	SEE SHEET ONE	9-12-12	RDR

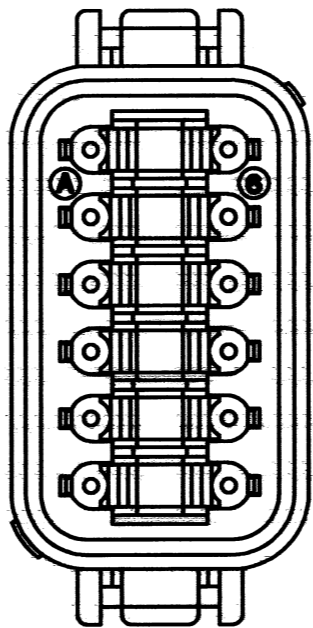
DT06-12SA-C015
KEY ARR. -A-
COLOR: GRAY



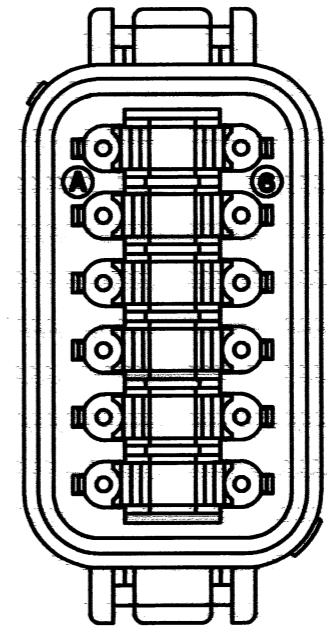
DT06-12SB-C015
KEY ARR. -B-
COLOR: BLACK



DT06-12SC-C015
KEY ARR. -C-
COLOR: GREEN



DT06-12SD-C015
KEY ARR. -D-
COLOR: BROWN




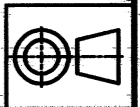
NOTES:

SIGNATURE & DATE	
DR	X. SANCHEZ 17APR03
CHK	A. W. [Signature] 9/12/12
PE	R. [Signature] 8/17/12
APPD	D. [Signature] 9/18/12
SCALE	NONE WT

12 WAY PLUG WITH
REDUCED WIRE SEAL
-C015 MOD.
DT SERIES

ENVELOPE

EP	MATL. CODE
 3850 INDUSTRIAL AVE. HEMET, CA 92545	
B	DT06-12S*-C015
DWG SIZE	CODE 11139 SHEET 2 OF 2



X-ON Electronics

Largest Supplier of Electrical and Electronic Components

Click to view similar products for [Automotive Connectors](#) category:

Click to view products by [TE Connectivity](#) manufacturer:

Other Similar products are found below :

[003-018-000](#) [600858](#) [60403001](#) [60993906-B](#) [60993913-B](#) [629515004020001](#) [M902-2131](#) [M902-2161](#) [M902-2344](#) [72.330.1035.1](#)
[73.353.4028.0](#) [F118010](#) [F119300-B](#) [F132210](#) [F132210-B](#) [F166900](#) [F180100](#) [F258300](#) [F258300-B](#) [F294300-B](#) [F339100](#) [F339700](#) [F358300-](#)
[B](#) [F374110](#) [F407400](#) [F412210](#) [F427600](#) [F444110](#) [F487000](#) [F495100-B](#) [F500900-B](#) [F509500B-B](#) [770444-1](#) [776880-1](#) [827153-1](#) [881735-1](#)
[8N1515-32-24P](#) [9-1326729-8](#) [925467-1](#) [925474-1](#) [928905-1](#) [936398-2](#) [964562-1](#) [964562-4](#) [964731-2](#) [965051-1](#) [968782-1](#) [GT17SA-8DS-](#)
[HU](#) [GT17VS-10DP-5.2CF](#) [98315-0001](#)