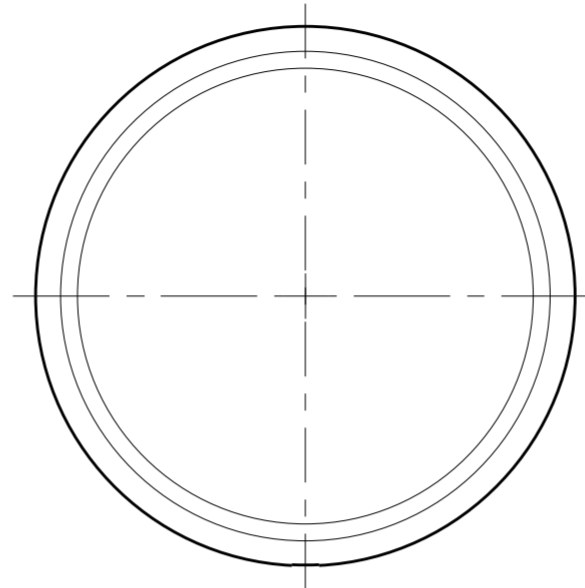
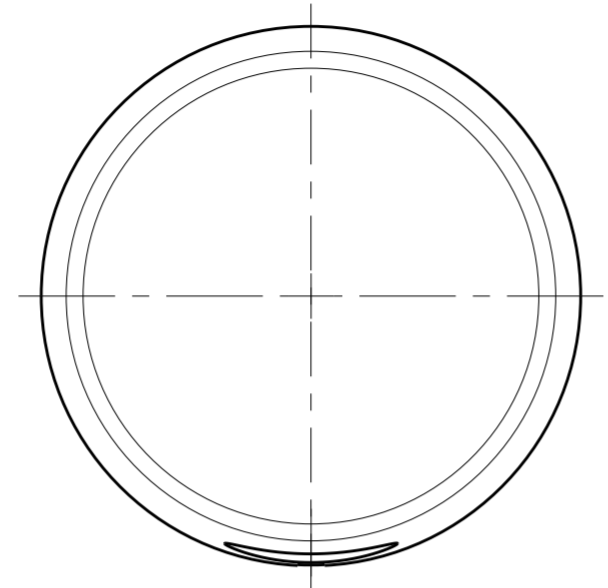
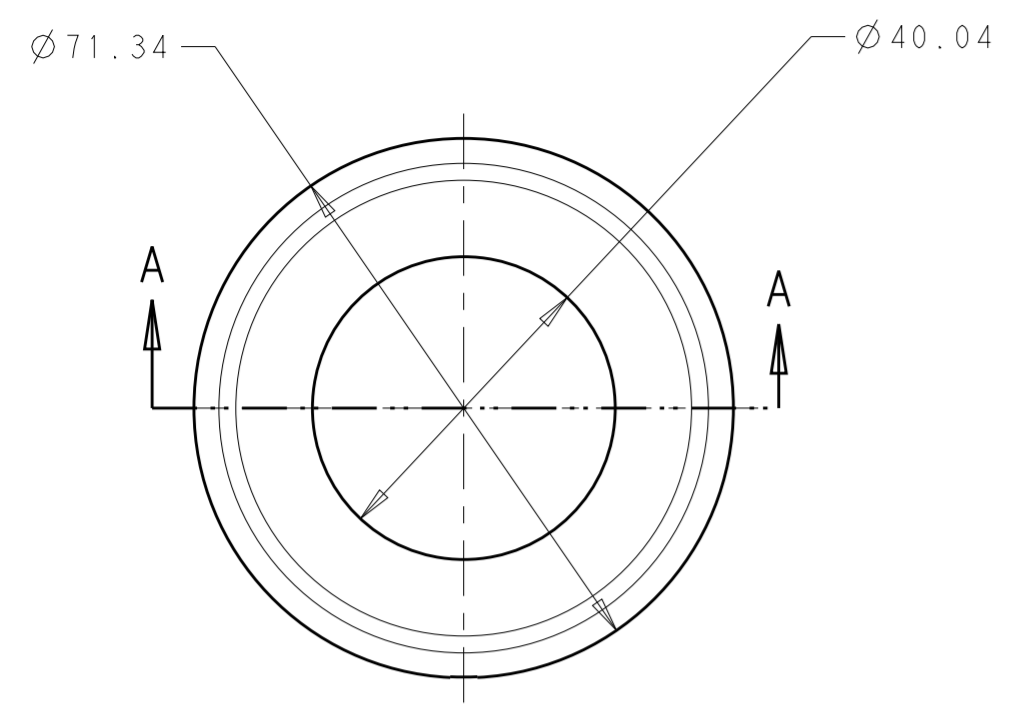


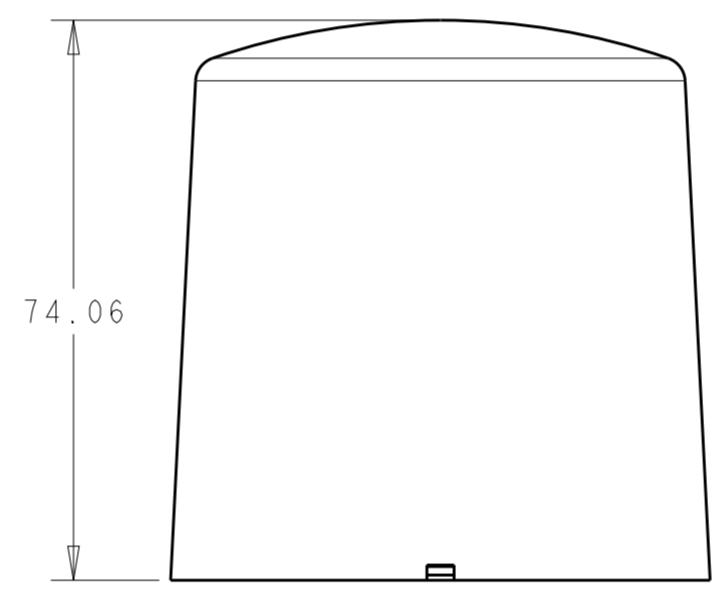
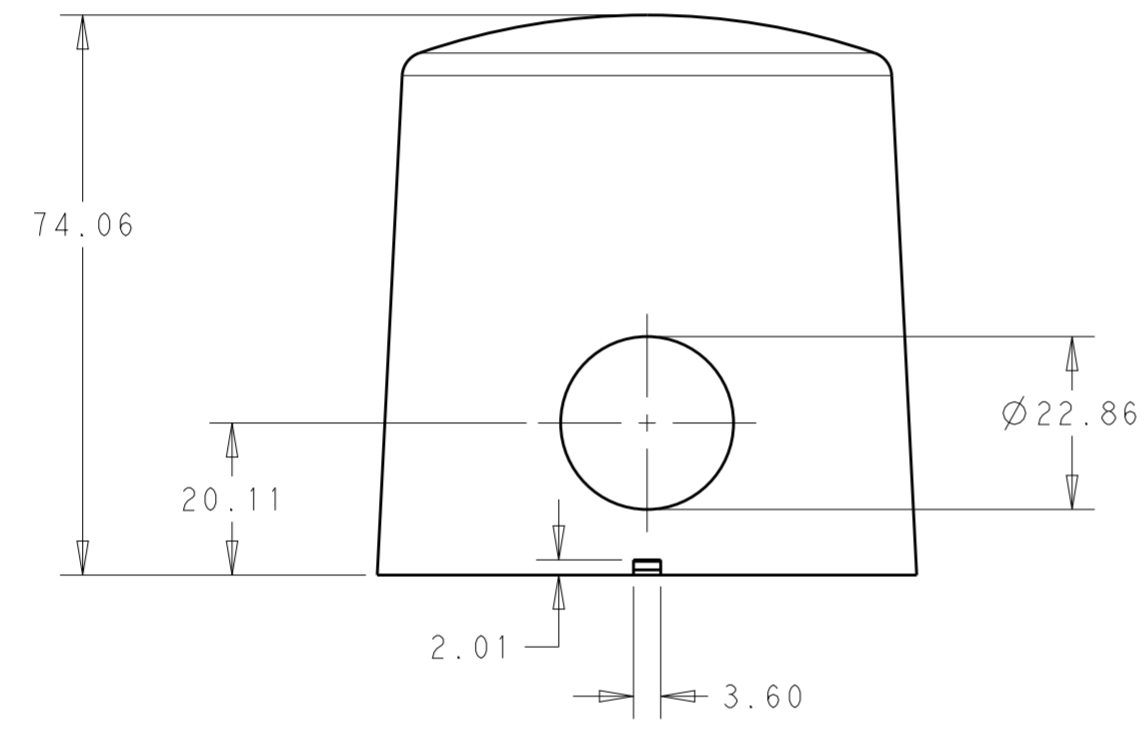
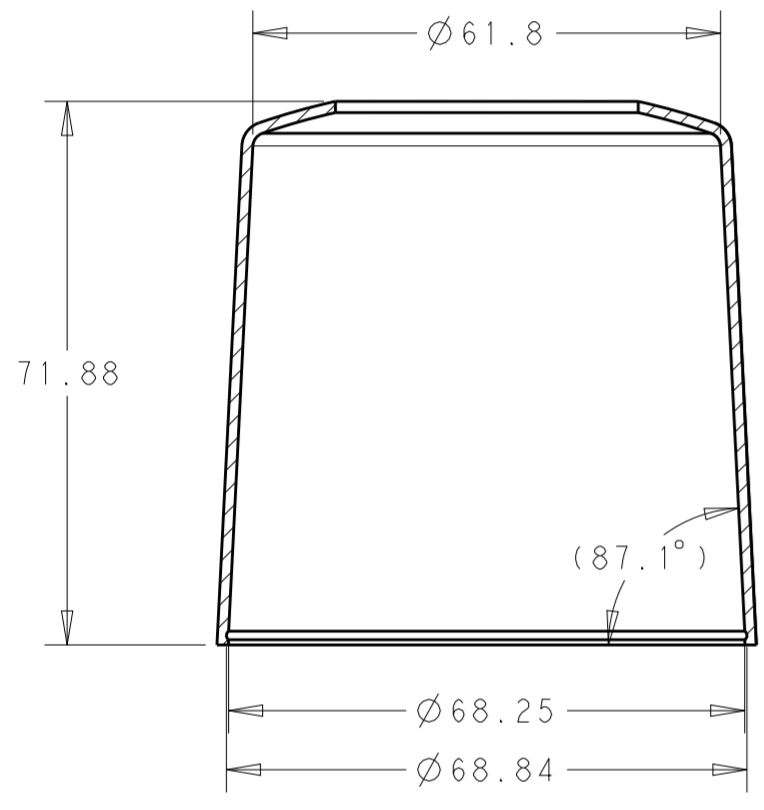
THIS DRAWING IS UNPUBLISHED. RELEASED FOR PUBLICATION 20  
 © COPYRIGHT 20 BY - ALL RIGHTS RESERVED.

REVISIONS				
P	LTR	DESCRIPTION	DATE	APVD
	A	REVISED PER ECO-17-010648	21JUL2017	RK DD

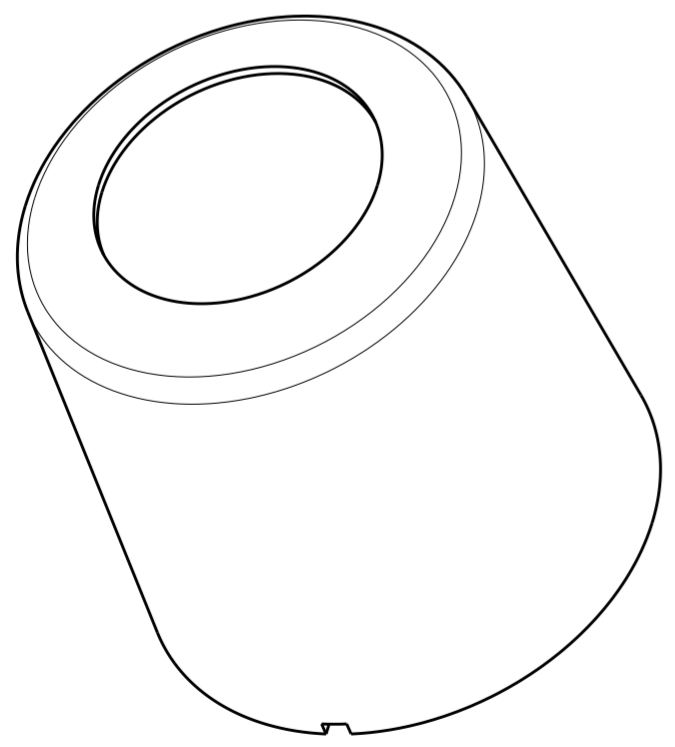
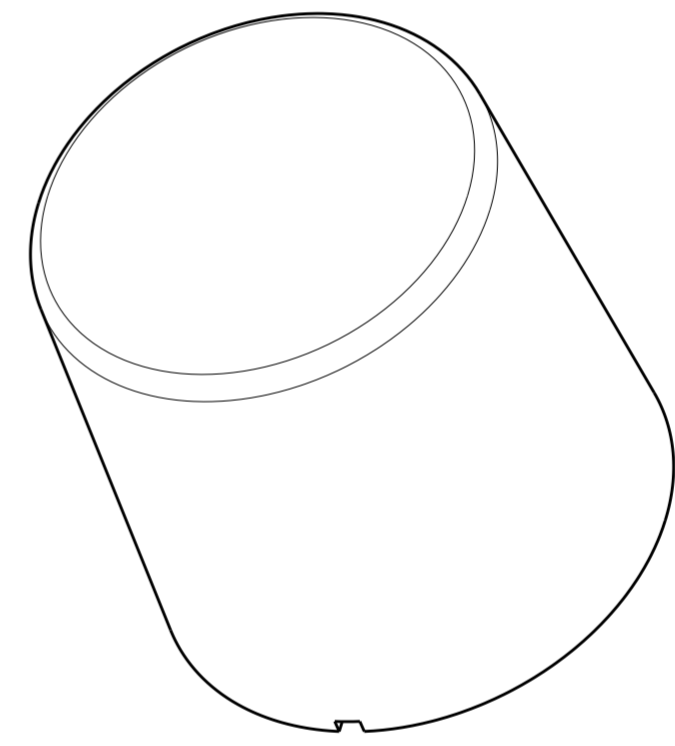


NOTES:

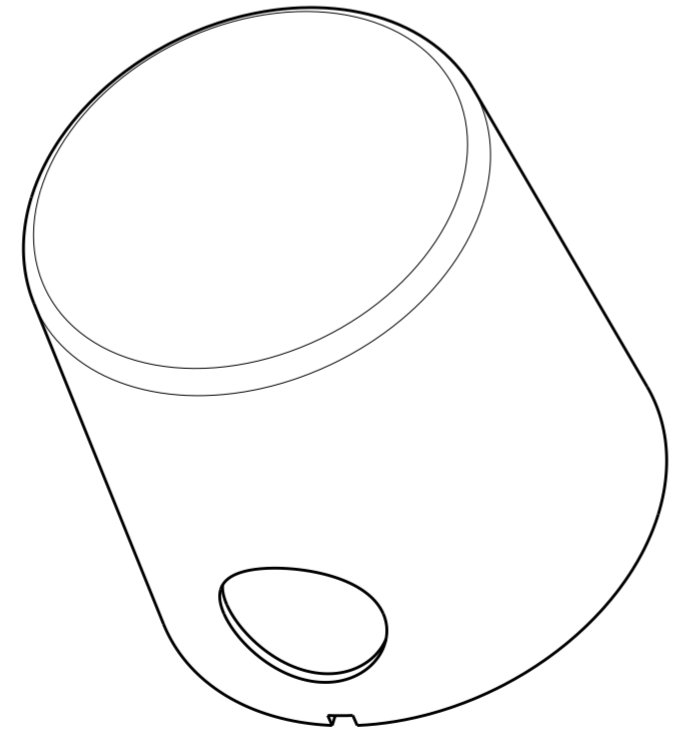
- 1 MATERIAL: PBT
- 2 MATING LIGHT CONTROLLER BASE ASSEMBLY TE P/N 2213871-1 OR 1-2213871-1
- 3 DOME P/N 2213748-1 OR 1-2213748-1 TO BE USED WITH SLEEVE P/N 2213805.
- 4 MAX ALLOWABLE PCB DIAMETER= Ø66.625



2-2213805-0  
SHOWN



2213805-1, 2213805-2  
SHOWN



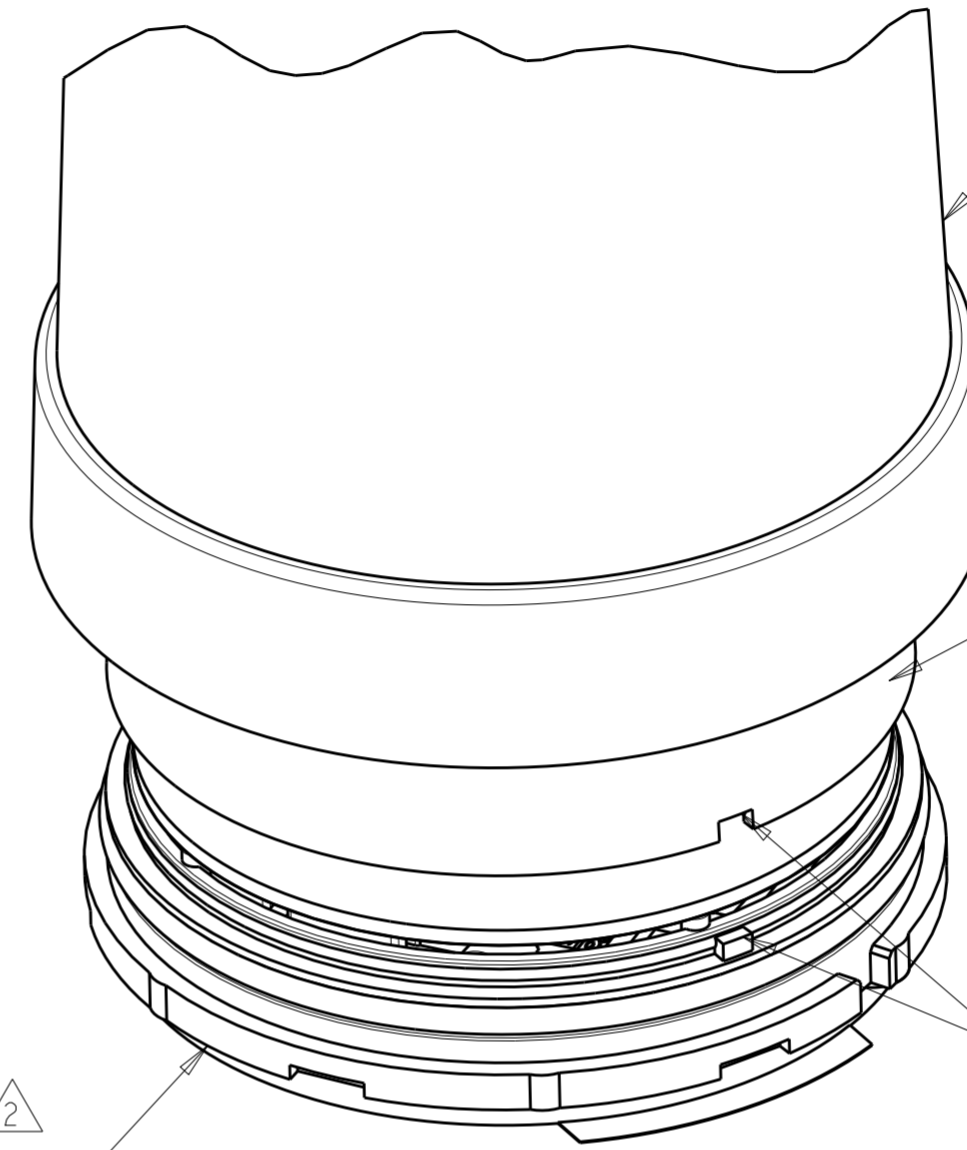
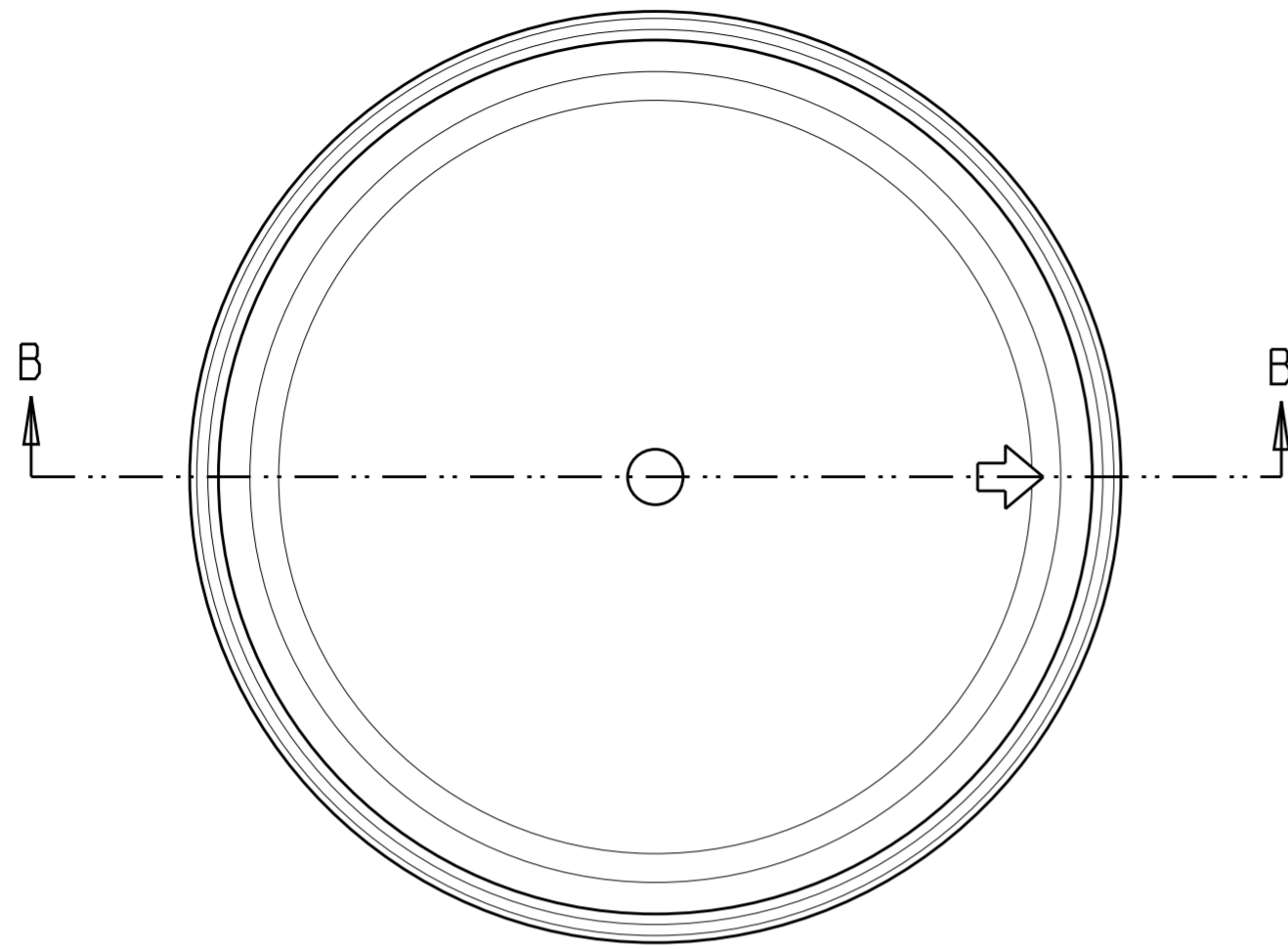
1-2213805-1  
SHOWN

NO HOLE	BLUE	2-2213805-0
SIDE HOLE	JET BLACK	1-2213805-1
TOP HOLE	WHITE ALUMINUM	2213805-2
TOP HOLE	JET BLACK	2213805-1
DESCRIPTION	COLOR	PART NO.

THIS DRAWING IS A CONTROLLED DOCUMENT.		DWN J. SHAFFER 06APR2016	TE Connectivity		
		CHK E. HOWARD 06APR2016			
DIMENSIONS: mm 		TOLERANCES UNLESS OTHERWISE SPECIFIED: 0 PLC ± 1 PLC ±0.3 2 PLC ±0.25 3 PLC ± 4 PLC ± ANGLES ± FINISH -		APVD - PRODUCT SPEC 108-32125 APPLICATION SPEC 114-32159 WEIGHT -	NAME SLEEVE, CONTROLLER, LIGHT BASE, MEDIUM, 76 DIA SIZE A2 CAGE CODE - DRAWING NO. C-2213805 RESTRICTED TO -
MATERIAL 1		CUSTOMER DRAWING		SCALE 1:1 SHEET 1 OF 2 REV A	

THIS DRAWING IS UNPUBLISHED. RELEASED FOR PUBLICATION 20  
 © COPYRIGHT 20 BY - ALL RIGHTS RESERVED.

REVISIONS				
P	LTR	DESCRIPTION	DATE	APVD
-	-	SEE SHEET 1	-	-



DOME P/N: 2213748-1  
 1-2213748-1

SLEEVE P/N: 2213805-1  
 2213805-2  
 1-2213805-1  
 2-2213805-0

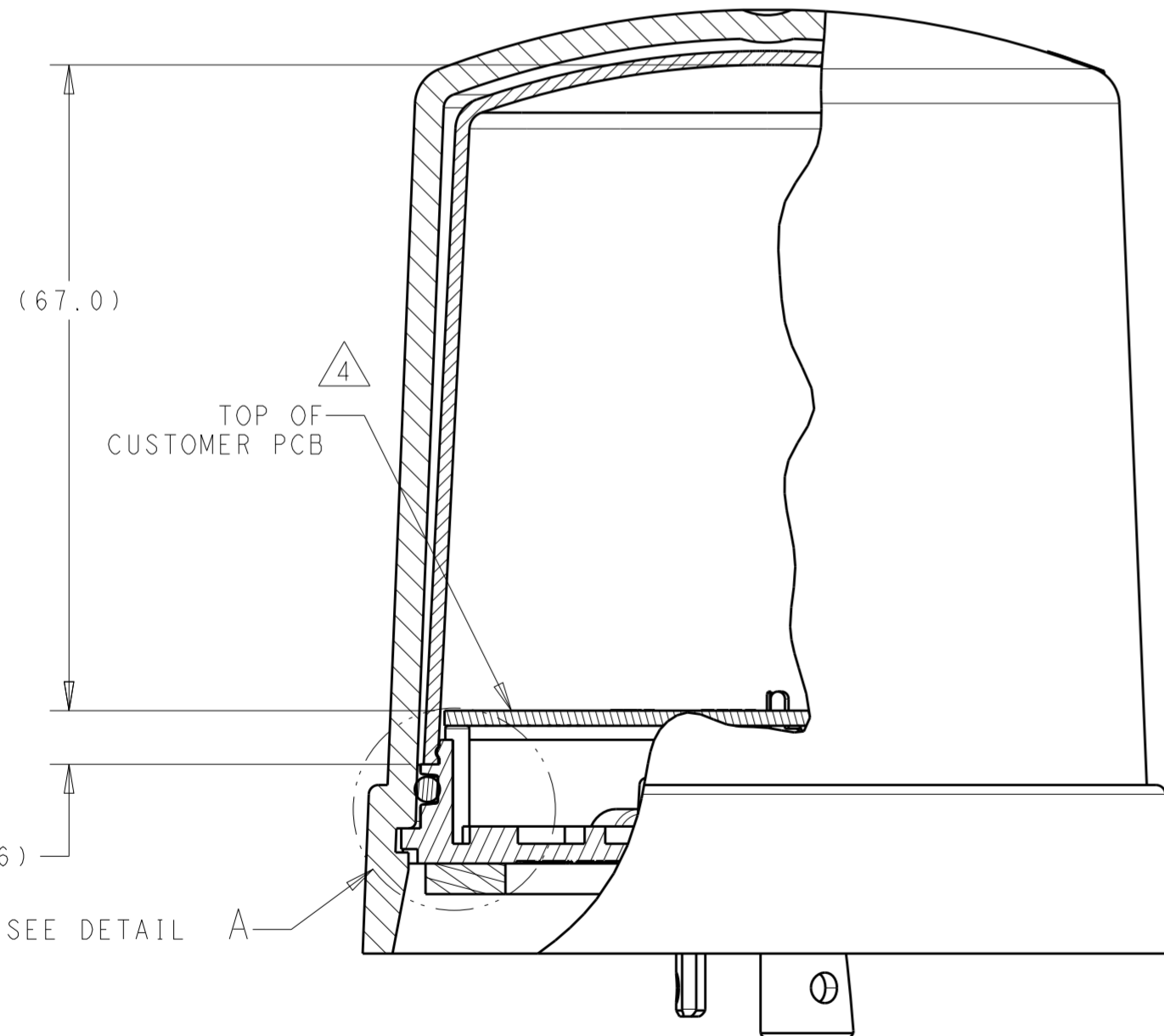
ALIGN KEY FEATURE IN SLEEVE TO KEY IN BASE

BASE ASSEMBLY:  
 2213871-1  
 1-2213871-1

SLEEVE CONTACTS  
 BASE SURFACE

O-RING

DETAIL A  
 SCALE 3:1



(67.0)

TOP OF CUSTOMER PCB

(5.6)

SEE DETAIL A

SECTION B-B  
 SCALE 3:2

THIS DRAWING IS A CONTROLLED DOCUMENT.		DWN J. SHAFFER 06APR2016	TE Connectivity	
		CHK E. HOWARD 06APR2016		
DIMENSIONS:		APVD -	NAME SLEEVE, CONTROLLER, LIGHT BASE, MEDIUM, 76 DIA	
mm	TOLERANCES UNLESS OTHERWISE SPECIFIED:	PRODUCT SPEC 108-32125	SIZE A2	
	0 PLC ±	APPLICATION SPEC 114-32159	CAGE CODE -	DRAWING NO C-2213805
	1 PLC ±0.3	WEIGHT -	RESTRICTED TO -	
	2 PLC ±0.25	CUSTOMER DRAWING	SCALE 1:1	SHEET 2 OF 2
	3 PLC ±		REV A	
	4 PLC ±			
MATERIAL	FINISH			

## X-ON Electronics

Largest Supplier of Electrical and Electronic Components

*Click to view similar products for [LED Lighting Fixture Accessories](#) category:*

*Click to view products by [TE Connectivity](#) manufacturer:*

Other Similar products are found below :

[1301120110](#) [1301120137](#) [1301130007](#) [1301120130](#) [1301860719](#) [1301120131](#) [1301120144](#) [1301120196](#) [2702493](#) [1-2311664-1](#) [XVBC081](#)  
[2702492](#) [2213871-2](#) [2306132-1](#) [2213805-1](#) [1-2306133-1](#) [2702527](#) [2315539-1](#) [1-2306132-1](#) [2213871-1](#) [1-2306128-1](#) [2306128-1](#) [2213996-1](#)  
[1-2306129-1](#) [1-2213871-2](#) [1-2213871-1](#) [2306130-1](#) [2306133-1](#) [1-2315539-1](#) [2306129-1](#) [1-2213805-1](#) [180997-0002](#) [180997-0001](#) [1-](#)  
[2213996-1](#) [4803](#) [4821](#) [2702312](#) [4772](#) [4773](#) [4774](#) [4775](#) [5012](#) [5014](#) [LEDASM1](#) [LEDAMM](#) [LEDCPS4](#) [SSP-CN2CN](#) [SSP-MTCV1](#)  
[1301120097](#) [1301120099](#)