

PRODUCT NUMBER

10056844-YXXXLF

LEAD FREE, ROHS COMPATIBLE, NOTE 8.  
 PLATING SEE NOTE 5

STYLE	SIZE
06	2x03
08	2x04
10	2x05
14	2x07
16	2x08
20	2x10
26	2x13
30	2x15
34	2x17
40	2x20

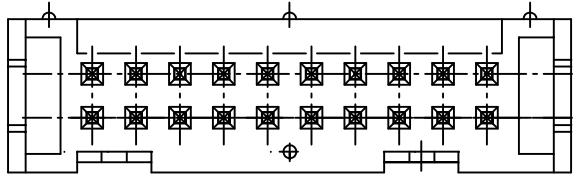
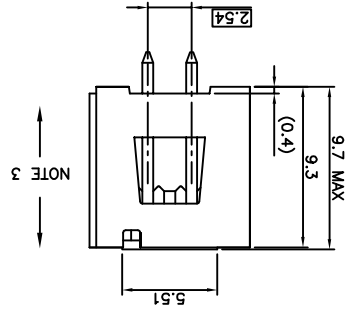
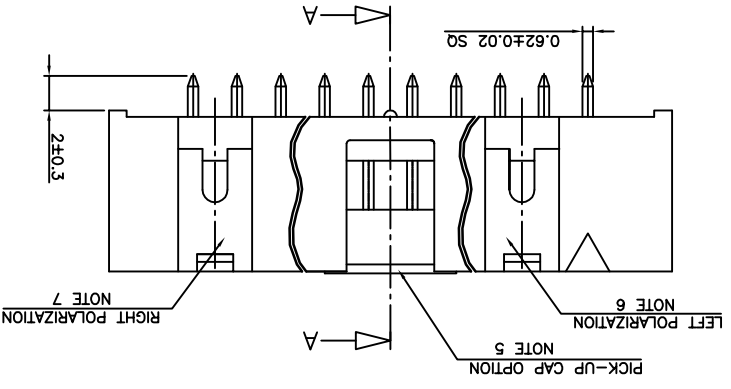
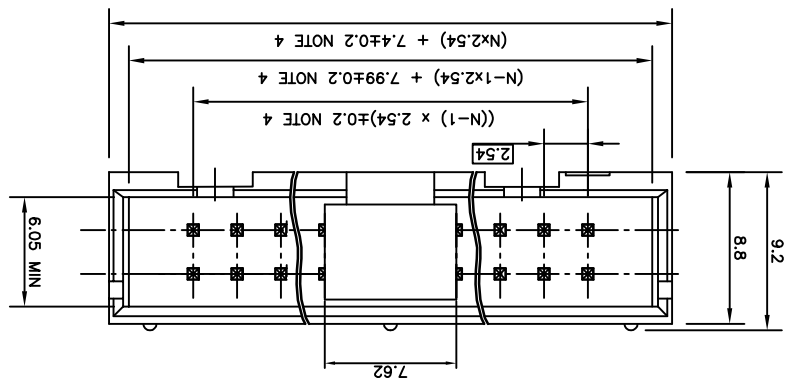
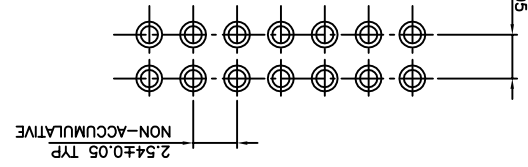
- 1 - 0.76µm GOLD/GXT (PANI WITH GOLD FLASH) ON CONTACT AREA
- 2µm MIN MATTE TIN ON TAILS.
- 1.27µm NICKEL MIN UNDERPLATING

NOTES:

- 1 - HOUSING MATERIAL: HIGH TEMPERATURE THERMOPLASTIC, UL94 V-0 COLOR BLACK.
- 2 - CONTACT MATERIAL: COPPER ALLOY
- 3 - MINIMUM PUSH OUT FORCE OF PIN IN EITHER DIRECTION : 20N BEFORE SOLDERING.
- 4 - TO DETERMINE DIMENSIONS : N = NUMBER OF POSITIONS PER ROW EXAMPLE : 8 POS N x 2.54 = 20.32mm
- 5 - PACKAGING. A = TAPE & REEL WITH PICK-UP CAP. SEE TA-893 FOR PRODUCT AVAILABILITY. = TUBE WITHOUT PICK-UP CAP
- 6 - NO LEFT POLARIZATION ON STYLE 06, 08, 10, 14.
- 7 - NO RIGHT POLARIZATION ON STYLE 06, 08.
- 8. ROHS COMPLIANT & COMPATIBLE PRODUCT SPECIFICATIONS

- a - PLATING: "LF" MEANS THE PRODUCT IS LEAD-FREE AND ROHS COMPLIANT 2µm MINIMUM MATTE TIN ON TAILS OVER 1.27µm MINIMUM NICKEL UNDERPLATE.
- b - THIS PRODUCT MEETS EUROPEAN UNION DIRECTIVES AND OTHER COUNTRY REGULATIONS AS PER GS-47-0004
- c - MANUFACTURING PROCESS COMPATIBILITY
- THE HOUSING WILL WITHSTAND EXPOSURE TO 260° PEAK INFRARED OR VAPOR PHASE REFLOW OVEN.
- PHASE REFLOW OVEN.

RECOMMENDED 1.6MM THICK PCB LAYOUT,  
 STENCIL DESIGN RECOMMENDATIONS AS PER TA-894



mat'l. code	NOTES 1, 2	dr	date	tolerances unless otherwise specified	projection	product family	OKIE HDR
ISO 1302	surface	ISO 1302	tolerances unless otherwise specified	ISO 406 ISO 1101	ISO 406 ISO 1101	OKIE HDR	
angles	linear	x ± 0.3	linear	xxx ± 0.05	scale 1:1	LOW PROFILE PIN IN PASTE	
H B-19564 BVE	14.11.27					OKIE HEADER	
C F07-0192 LMU	07.05.22					LOW PROFILE PIN IN PASTE	
D F07-0198 LMU	07.05.30	dr	LMU	05.05.30	dwg no	sheet 1 of 1 size	A3
E F08-0146 YOV	08.04.11	engr	JCO	06.07.17			
F F09-0098 LMU	09.09.28	chr					
G B-19070 LMU	14.10.15	appd	U COMPAGNON	06.07.17			
sheet revision							
index sheet							

## X-ON Electronics

Largest Supplier of Electrical and Electronic Components

*Click to view similar products for [Headers & Wire Housings](#) category:*

*Click to view products by [Amphenol](#) manufacturer:*

Other Similar products are found below :

[95000-104TRLF](#) [10135584-644402LF](#) [DF62W-EP2022PCA](#) [95000-106TRLF](#) [DF62W-2022SCA](#) [DF62W-EP2022PC](#) [2203348](#) [DF62W-2022SC](#) [1084018](#) [1029039](#) [1084017](#) [802-10-012-10-002000](#) [1112640](#) [1112639](#) [000-34000](#) [0009482033](#) [0009507031](#) [57102-S06-03LF](#) [57202-S52-04LF](#) [PCN6-15S-2.5E](#) [0039019024](#) [58102-G61-06LF](#) [582553-1](#) [0009485154](#) [0009508121](#) [0022285053](#) [0050291907](#) [018731A](#) [LY20-4P-DT1-P1E-BR](#) [02.125.8002.8](#) [60101931](#) [60598-1 \(Cut Strip\)](#) [M1625-3R/100](#) [61062-3](#) [61082-181009](#) [636-1427](#) [638009-1](#) [641938-9](#) [641991-4](#) [644168-1](#) [647662-1](#) [65039-019ELF](#) [65817-002LF](#) [65817-015LF](#) [65863-015LF](#) [66207-023LF](#) [67016-026LF](#) [67046-001LF](#) [67095-007LF](#) [67230-005LF](#)