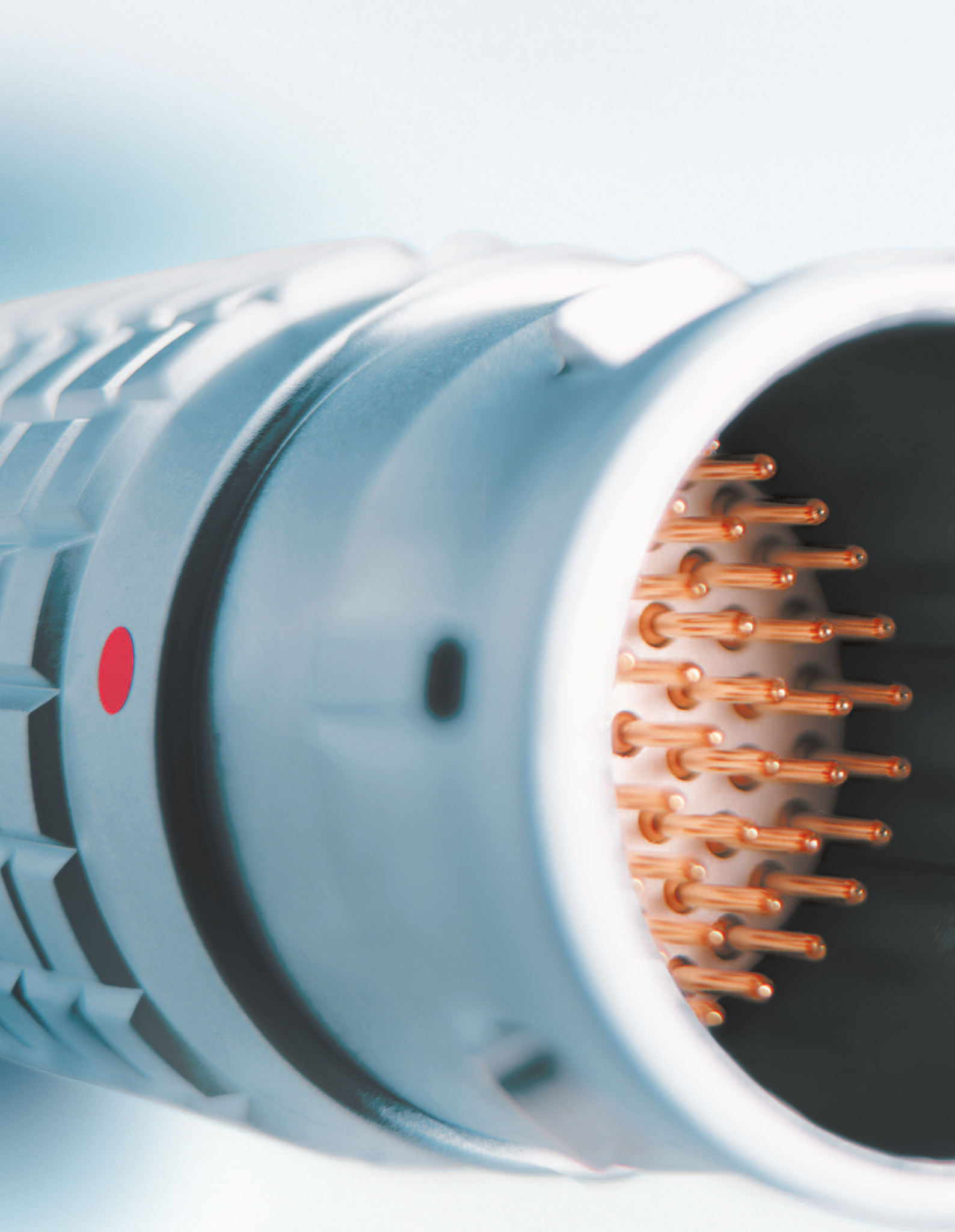


# UNIPOLE & MULTIPOLE CONNECTORS







No reproduction or use without express permission of editorial or pictorial content, in any manner.  
LEMO reserve the right at all times to modify and improve specifications without any notification.

## LEMO unipole and multipole connectors

This catalogue gives the complete description of LEMO unipole and multipole type connectors. The LEMO manufacturing programme has been extended to almost 40 series divided into 7 product families with specific mating and environmental characteristics. Each series includes a wide variety of plug, socket, coupler and bridge plug models, available in contact configurations adapted to all round cables, including up to 114 conductors, and a maximum diameter of 30 mm.

Watertight and vacuumtight models are also available. Since LEMO connectors are perfectly screened and designed to guarantee very low resistance to shell electrical continuity, they are particularly adapted to applications where electromagnetic compatibility (EMC) is important.

### Table of Contents

<b>3 steps to select the right connector</b> .....	3
<b>B Series (indoor, keyed)</b>	
Part Numbering system .....	13
Metal Housing models .....	14
Elbow socket models .....	25
Plastic housing models .....	28
Watertight or vacuumtight models .....	30
Bridge models .....	34
Threaded-latching models .....	35
Alignment Key and Polarized Keying System.....	36
<b>K Series (outdoor, keyed)</b>	
Part Numbering system .....	38
Metal Housing models .....	39
Watertight or vacuumtight models .....	47
Alignment Key and Polarized Keying System.....	49
<b>T Series (outdoor, keyed)</b>	
Part Numbering system .....	52
Metal Housing models .....	53
Watertight or vacuumtight models .....	55
Plastic housing models, alignment Key and Polarized Keying System .....	56
<b>B, K and T Series</b> Insert configuration, Housings, Insulators, Contacts, Collets, Variant .....	57
<b>S Series (indoor, stepped insert)</b>	
Part Numbering system .....	75
Metal Housing models .....	76
Elbow socket models .....	87
Plastic housing models .....	89
Watertight or vacuumtight models .....	91
<b>E Series (outdoor, stepped insert)</b>	
Part Numbering system .....	94
Metal Housing models .....	95
Watertight or vacuumtight models .....	101
<b>S, and E Series</b> Insert configuration, Housings, Insulators, Contacts, Collets, Variant .....	103
<b>M Series (outdoor, keyed)</b> .....	123
<b>F Series (outdoor, keyed)</b> .....	125
<b>Spare parts</b> .....	127
<b>Accessories</b> .....	137
<b>Tooling</b> .....	151
<b>Panel cut-outs and PCB drilling pattern</b> .....	157
<b>Cable assembly (B, K, T, S and E series)</b> .....	169
<b>Technical characteristics</b> .....	182
<b>Product safety notice</b> .....	198

## Precision modular connectors to suit your application

Since its creation in Switzerland in 1946 the LEMO Group has been recognized as a global leader of circular Push-Pull connectors and connector solutions. Today LEMO and its affiliated companies, REDEL and COELVER, are active in more than 80 countries with the help of over 40 subsidiaries and distributors.

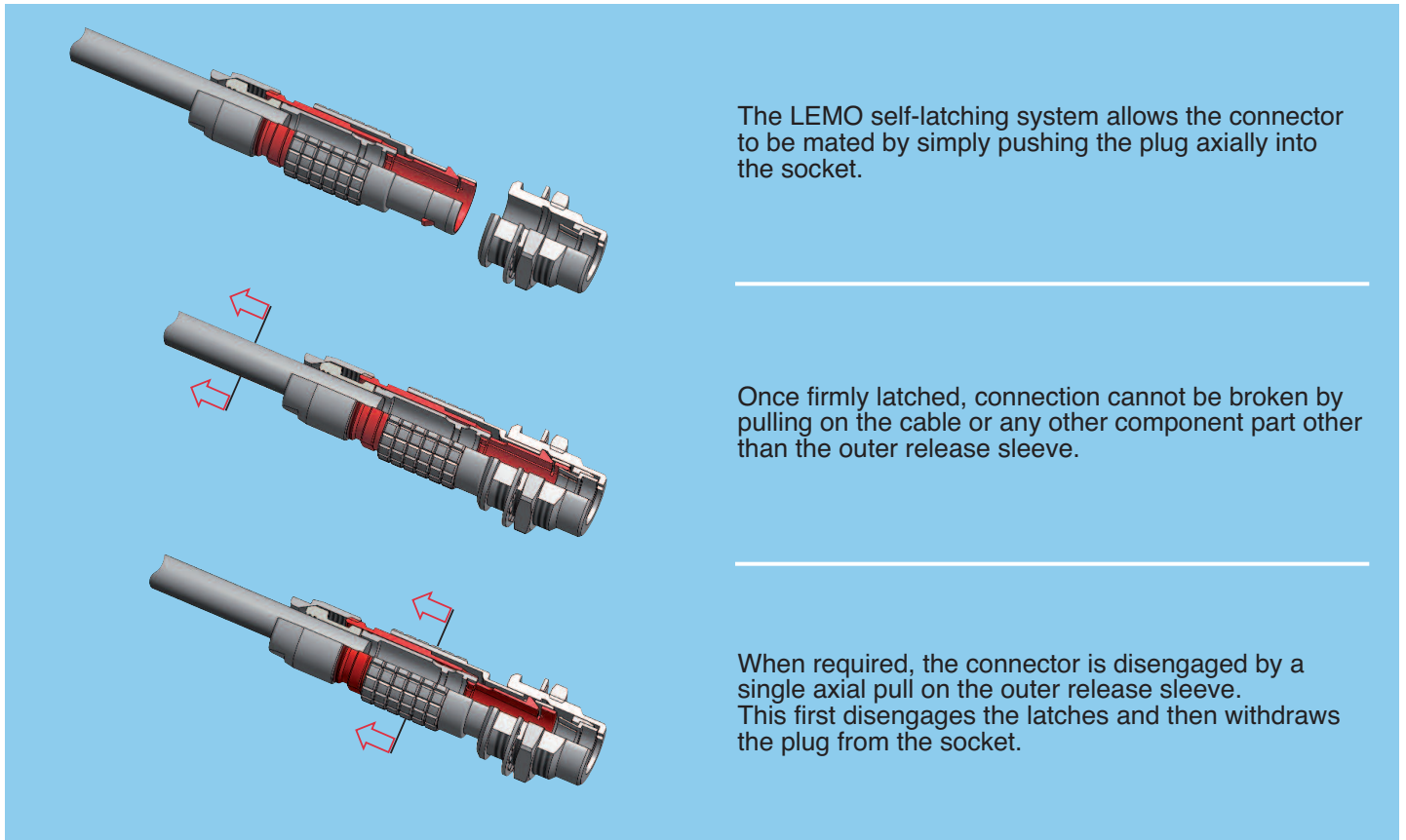
## Over 75000 connectors

The modular design of the LEMO range provides over 75000 connectors from miniature  $\varnothing$  3 mm to  $\varnothing$  50 mm, capable of handling cable diameters up to 30 mm and for up to 114 contacts.

This vast portfolio enables you to select the ideal connector configuration to suit almost any specific requirement in most markets, including medical devices, test and measurement instruments, machinery, audio video broadcast, telecommunications and military.

## LEMO's Push-Pull Self-Latching Connection System


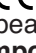
This self-latching system is renowned worldwide for its easy and quick mating and unmating features. It provides absolute security against vibration, shock or pull on the cable, and facilitates operation in a very limited space.



## UL Recognition

LEMO connectors are recognized by the Underwriters Laboratories (UL). The approval of the complete system (LEMO connector, cable and your equipment) will be easier because LEMO connectors are recognized.

## CE marking

CE marking  means that the appliance or equipment bearing it complies with the protection requirements of one or several European safety directives. CE marking  applies to complete products or equipment, **but not to electromechanical components, such as connectors.**

## RoHS

LEMO connector specifications conforms the requirements of the RoHS directive (2011/65/EU) of the European Parliament and the latest amendments. This directive specifies the restrictions of the use of hazardous substances in electrical and electronic equipment marketed in Europe.

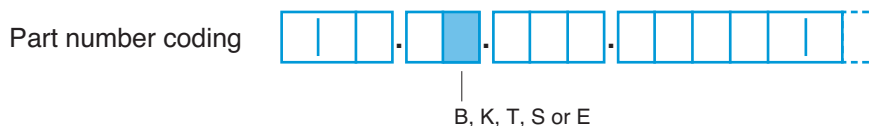




## 3 steps to select the right connector

### ● Step 1: Select connector series

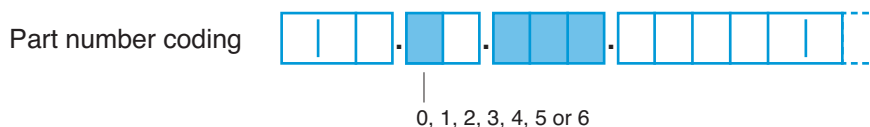
Select the appropriate LEMO connector series according to the environmental parameters that will affect your device or cable such as indoor, outdoor, temperature range, ingress protection of the mated connector and of your device. Use the table shown on page 4.



### ● Step 2: Select connector size

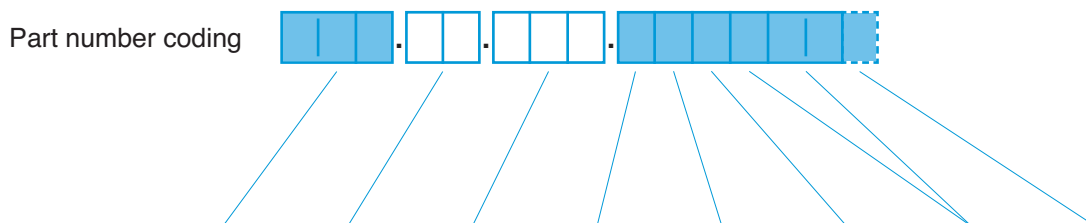
Use the section (mm<sup>2</sup>) or the AWG of your cable wire to select the optimal contact diameter (values vary between solder, crimp or print contact), see page 8.

Use this optimal contact diameter to determine the right connector size as well as the insert configuration, see page 6.



### ● Step 3: Complete the part number

Now that you know the series, as well as the insulator configuration, complete the part numbering system with the help of the following table.



	Model	Series	Insert configuration	Housing material	Insulator material	Contact	Collet	Variant
B Series (indoor, keyed)	14	14	57	64	64	64	67	71
K Series (outdoor, keyed)	39	39	57	64	64	64	68	71
T Series (outdoor, keyed)	53	53	57	64	64	64	70	71
S Series (indoor, stepped insert)	76	76	103	112	112	112	115	121
E Series (outdoor, stepped insert)	95	95	103	112	112	112	119	121

**Note:** Figures in the above table refer to the catalogue pages.

## Step 1: Select Connector Series

### LEMO unipole and multipole connectors

#### The standard keyed Series (B, 00)

The characteristic feature of these connector series is a keying system which allows higher contact density and prevents all errors in alignment. The various keying alternatives prevent unwanted cross mating of otherwise similar connectors. It is also possible to use crimp contacts to reduce cable assembly time. These connector series, include the 0B to 5B range as well as the 00 multipole, some vacuumtight models are also available.

#### The watertight keyed Series (K, T)

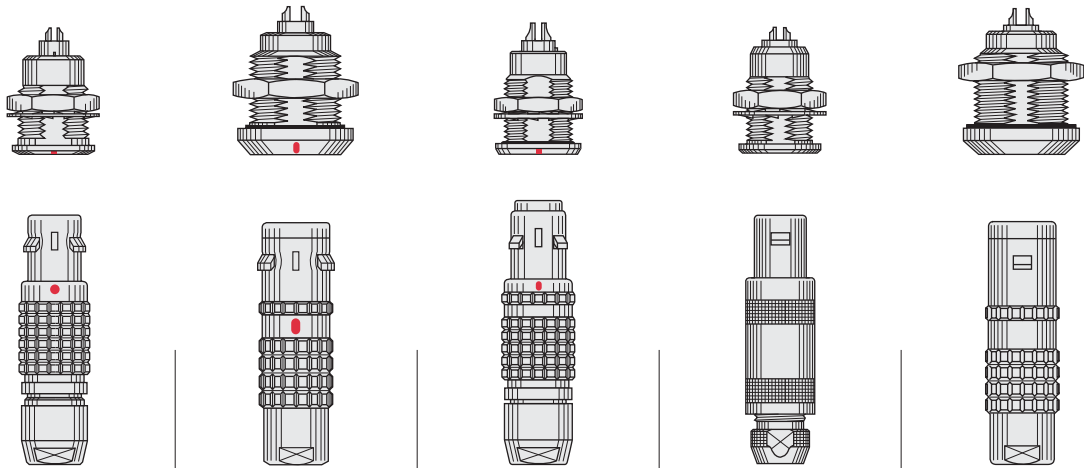
These series are watertight when mated and assembled to an appropriate cable. They include the 0K to 5K series and the TT to 3T series, available in the same types as the 0B to 5B series.

#### The standard Series (S, 00)

The characteristic feature of these connector series is the hermaphroditic insulator in the multipole version. They include principally the 0S to 6S series, as well as the 00 unipole series.

#### The watertight Series (E)

These series are watertight when mated and assembled to an appropriate cable. They include the 0E to 6E series and are available in the same types as the S series.



Series	00 multipole B	K	T	00 unipole S	E
Environment	indoor	outdoor or harsh environment		indoor	outdoor or harsh environment
Ingress protection <sup>1)</sup>	IP50	IP66 to IP68		IP50	IP66 to IP68
Ingress protection <sup>2)</sup>	IP50 to IP68 vacuumtight	IP66 to IP68 vacuumtight		IP50 to IP68 vacuumtight	IP66 to IP68 vacuumtight
Temperature range	- 55 to 250°C	- 55 to 200°C		- 55 to 250°C	- 55 to 200°C
Latching	Push-Pull self-latching				
Shell sizes	8 metal and 4 plastic	6 metal	5 metal	7 metal and 5 plastic	6 metal
Insulator type	Multipole			Unipole or multipole hermaphroditic	
Contact type	Solder, crimp or print			Solder, crimp or print	
Features	13 keyways	9 keyways	4 keyways	Stepped insert	
Page	11 to 36	37 to 50	51 to 56	73 to 92	93 to 102

**Note:**

<sup>1)</sup> Mated connector. See ingress protection code p. 5. <sup>2)</sup> Your device. For selection of connectors for watertight and vacuumtight devices, see p. 5.



## Definition of Ingress Protection (IP code)

IEC 60529 outlines an international classification system for the sealing effectiveness of enclosures of electrical equipment against the intrusion into the equipment of foreign bodies (i.e. tools, dust, fingers) and moisture. This classification system utilizes the letters «IP» (Ingress Protection) followed by two digits.

**Example: IP 50 = IP 5 0**

IP letter code \_\_\_\_\_  
 1st digit \_\_\_\_\_  
 2nd digit \_\_\_\_\_

### Degrees of protection - First digit

The first digit of the IP code indicates the degree to which persons are protected against contact with moving parts and the degree that equipment is protected against solid foreign bodies intruding into an enclosure.

Code	First digit description
0	No special protection
1	Protection from a large part of the body such as hand or from solid objects greater than 50 mm in diameter
2	Protection against objects not greater than 80 mm in length and 12 mm in diameter
3	Protection from entry by tools, wires, etc., with a diameter or thickness greater than 2.5 mm
4	Protection from entry by solid objects with a diameter or thickness greater than 1.0 mm
5	Protection from the amount of dust that would interfere with the operation of the equipment
6	Dust-tight
7	–
8	–

### Degrees of protection - Second digit

The second digit indicates the degree of protection of the equipment inside the enclosure against the harmful entry of various forms of moisture (e.g. dripping, spraying, submersion, etc.)

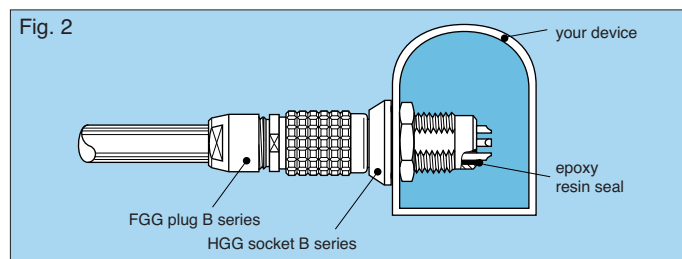
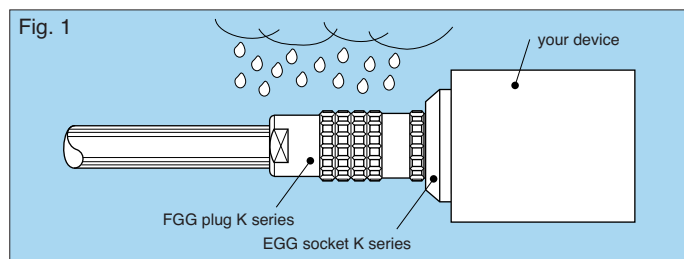
Code	Second digit description
0	No special protection
1	Protection from vertically dripping water
2	Protection from dripping water when tilted up to 15°
3	Protection from sprayed water
4	Protection from splashed water
5	Protection from water projected from a nozzle
6	Protection against heavy seas, or powerful jets of water
7	Protection against temporary immersion
8	Protection against complete continuous submersion in water

## Selection of connectors for watertight or vacuumtight devices

LEMO B and S series are rated IP50 only when mated. LEMO E, K and T series are rated IP66 (and over) only when mated. If a device must be watertight or vacuumtight when the connectors are unmated, it is important to select a watertight or vacuumtight socket. You can consider the following two situations:

A) Figure 1 shows a typical outdoor device. To ensure this device retains IP66 or above when connectors are unmated, it is important to choose a watertight socket from B, S, E, K or T series.

B) Figure 2 shows a device which is subjected to pressure difference such as a near vacuum or pressurized gas and must exhibit no leakage. To ensure the device maintains its sealing, the socket is additionally tested for helium leakage (according MIL 1344A).



Check temperature range (see section on pages 30, 47, 55, 91 and 101).

## Step 2: Select Connector Size

### Select the right connector size and insert configuration

To be able to select the right connector size (0 to 6), it is important to define the contact diameter ( $\varnothing A$ ). Find out the available contact diameter ( $\varnothing A$ ) of the LEMO connector depending on the number of contacts required and depending on the rating required (see pages 57 to 63 and 103 to 111). The following table shows the contact diameter ( $\varnothing A$ ).

Number of contacts		Insert configuration	Series															
			00-TT	0B-0K-0T	1B-1K-1T	XB	2B-2K-2T	3B-3K-3T	4B-4K	5B-5K	00	0S-0E	1S-1E	2S-2E	3S-3E	4S-4E	5S-5E	6S-6E
Unipole	1	113									1.3							
	1	116										1.6						
	1	120											2.0					
	1	130											3.0	3.0				
	1	140												4.0	4.0	4.0		
	1	160													6.0	6.0		
	1	112															12.0	
Multipole	2	302	0.5	0.9	1.3		2.0	3.0	6.0		0.9	1.3	1.6	2.0	4.0	6.0		
	3	303	0.5	0.9	1.3		1.6	2.0			0.7	0.9	1.3	2.0	3.0	6.0/4.0	6.0	
	4	304	0.5	0.7	0.9		1.3	2.0	3.0	4.0		0.7	0.9	1.3	2.0	3.0	4.0	8.0
	5	305	0.35	0.7	0.9		1.3	1.6				0.9/0.7	1.3	2.0/1.3	3.0/2.0	4.0/3.0		
	6	306	0.35	0.5	0.7		1.3	1.6	2.0			0.7	1.3	1.3	2.0	3.0		
	7	307		0.5	0.7		1.3	1.6	2.0				1.3/0.9	1.3	2.0/1.3			
	8	308			0.7		0.9	1.3					0.9	1.3	1.3	3.0		
	9	309		0.5				1.3/2.0							1.3			
	10	310			0.5		0.9	1.3	1.6	3.0				0.9	1.3	1.3	2.0	
	12	312		0.35		0.7	0.7	0.9	1.3						0.9	1.3	2.0	4.0/5.0
	13	313													0.9	1.3		
	14	314			0.5		0.7	0.9		2.0					0.9	1.3	3.0/2.0	
	16	316			0.5		0.7	0.9	0.9	2.0					0.9	0.9	2.0	3.0
	18	318					0.7	0.9							0.9	0.9	3.0/1.6	4.0
	19	319					0.7											
	20	320						0.7	0.9	1.6						0.9	1.6	3.0
22	322				0.5		0.7								0.9	3.0/1.6		
24	324						0.7	0.9								0.9	1.6	
26	326					0.5	0.7											



Number of contacts		Insert configuration		Series															
Multipole		00-TT	0B-0K-0T	1B-1K-1T	XB	2B-2K-2T	3B-3K-3T	4B-4K	5B-5K	00	0S-0E	1S-1E	2S-2E	3S-3E	4S-4E	5S-5E	6S-6E		
	30	<b>330</b>					0.7	0.9	1.3								1.3	2.0	
	32	<b>332</b>				0.5												2.0	
	36	<b>336</b>															1.3	2.0 <sup>1)</sup>	
	40	<b>340</b>						0.7	1.3								1.3	2.0	
	44	<b>344</b>															1.3		
	48	<b>348</b>						0.7	1.3								1.3	2.0	
	50	<b>350</b>							0.9										
	54	<b>354</b>							0.9										
	60	<b>360</b>																1.6	
	62	<b>362</b>																1.6	
	64	<b>364</b>							0.9									1.3	
	72	<b>372</b>																1.3	
	106	<b>106</b>																0.9	

Note: <sup>1)</sup> 2.0 is for 6S series, for 6E the values are 1.3 and 5.0.

## Verify the fitting to your wire

Verify if the selected contact diameter ( $\varnothing A$ ) of the LEMO connector fits to your cable wire diameter (AWG number or max. available section).

Contact type	Contact			Conductor						$F_r^{1)}$ (N)	Notes
	$\varnothing A$ (mm)	$\varnothing C$ (mm)	Form per fig.	Solid		Stranded					
				AWG max.	Section max. (mm <sup>2</sup> )	AWG		Section (mm <sup>2</sup> )			
min.	max.	min.	max.								
	0.35	0.40	–	28	0.09	–	30	–	0.05	–	
	0.5 <sup>2)</sup>	0.40 <sup>2)</sup>	–	28	0.09	–	30	–	0.05	–	
	0.5	0.45 <sup>7)</sup>	–	28	0.09	–	28	–	0.09	–	
	0.7 <sup>3)</sup>	0.60 <sup>3)</sup>	–	24	0.25	–	26	–	0.14	–	
	0.7	0.80	–	22	0.34	–	22 <sup>4)</sup>	–	0.34	–	
	0.9	0.80 <sup>6)</sup>	–	22 <sup>6)</sup>	0.34 <sup>6)</sup>	–	22 <sup>4)6)</sup>	–	0.34 <sup>6)</sup>	–	
	1.3	1.00	–	20	0.50	–	20 <sup>4)</sup>	–	0.50	–	
	1.6	1.40	–	16	1.00	–	18	–	1.00	–	●
	2.0	1.80	–	14	1.50	–	16	–	1.50	–	
	3.0	2.70	–	10	4.00	–	12	–	4.00	–	
	4.0	3.70	–	10	6.00	–	10	–	6.00	–	
	5.0	5.20	–	–	–	–	8	–	10.00	–	
	6.0	5.20	–	–	–	–	8	–	10.00	–	
	8.0	7.00	–	–	–	–	4	–	21.00	–	
12.0	11.50	–	–	–	–	0	–	50.00	–		
	0.5 <sup>5)</sup>	0.45	1	–	–	32	28	0.035	0.09	12	●
	0.7	0.80	1	–	–	26	22 <sup>4)</sup>	0.140	0.34	22	●
	0.7	0.45	2	–	–	32	28	0.035	0.09	22	○
	0.9	1.10	1	–	–	24	20	0.250	0.50	30	●
	0.9	0.80	2	–	–	26	22 <sup>4)</sup>	0.140	0.34	30	○
	0.9	0.45	2	–	–	32	28	0.035	0.09	30	○
	1.3	1.40	1	–	–	20	18	0.500	1.00	40	●
	1.3	1.10	2	–	–	24	20	0.250	0.50	40	○
	1.3	0.80	2	–	–	26	22 <sup>4)</sup>	0.140	0.34	40	○
	1.6	1.90	1	–	–	18	14 <sup>4)</sup>	1.000	1.50	50	●
	1.6	1.40	2	–	–	22	18	0.340	1.00	50	○
	2.0	2.40	1	–	–	16	12 <sup>4)</sup>	1.500	2.50	65	●
	2.0	1.90	2	–	–	18	14	1.000	1.50	65	○
	3.0	3.20	1	–	–	14	10 <sup>4)</sup>	2.500	4.00	75	●
4.0	4.00	1	–	–	12	10	4.000	6.00	90	●	

### Note:

<sup>1)</sup> contact retention force in the insulator (according to IEC 60512-8 test 15 a).

<sup>2)</sup> for 00/TT multipole series.

<sup>3)</sup> for S, E series.

<sup>4)</sup> for a given AWG, the diameter of some stranded conductor designs is larger than the solder cup diameter. Make sure that the maximum conductor diameter is smaller than  $\varnothing C$ .

<sup>5)</sup> for 00 /TT multipole series or for 0B/0T and 1B/1T series with male contacts.

<sup>6)</sup> for 0B.302/0B.303, 0K.302/0K.303 and 0T.302/0T.303  $\varnothing C = 1.0$  mm, AWG max 20, section max (mm<sup>2</sup>) 0.50.

<sup>7)</sup> for 00/TT and 1B/1K/1T series, according to manufacturing and plating tolerance  $\varnothing C$  min = 0.43 mm.

● First choice alternative    ○ Special order alternative



## Verify the fitting to your wire

Verify if the selected contact diameter ( $\varnothing A$ ) of the LEMO connector fits to your cable wire diameter (AWG number or max. available section).

Contact type	Contact			Conductor				$F_r$ <sup>1)</sup> (N)	Notes
	$\varnothing A$ (mm)	$\varnothing C$ (mm)	Form per fig.	Solid		Stranded			
				AWG max.	Section max. (mm <sup>2</sup> )	Section (mm <sup>2</sup> )			
min.	max.	min.	max.						
Print 	L dimensions and C are detailed in the section on PCB drilling pattern. See page 163 and 167.								●
Print (elbow) 	L dimensions and C are detailed in the section on PCB drilling pattern. See page 164 and 168.								●

**Note:** <sup>1)</sup> contact retention force in the insulator (according to IEC 60512-8 test 15 a).

## Verify the fitting to your cable

Verify if the selected connector size fits to your cable diameter.

Series	Cable diameter range (mm)				Series	Cable diameter range (mm)				Series	Cable diameter range (mm)			
	Collet		Collet for fitting a bend relief			Collet		Collet for fitting a bend relief			Collet		Collet for fitting a bend relief	
	min.	max.	min.	max.		min.	max.	min.	max.		min.	max.	min.	max.
00 <sup>1)</sup>	1.4	3.5	1.4	3.5	TT	2.4	3.0	2.4	3.0	0E	1.0	5.0	1.0	5.0
0B	1.4	5.6	1.4	5.2	0T	1.0	5.0	1.0	5.0	1E	1.3	8.5 <sup>3)</sup>	1.3	8.5 <sup>3)</sup>
1B	2.2	7.6	2.2	7.2	1T	1.3	6.5	1.3	6.5	2E	1.3	10.5 <sup>3)</sup>	1.3	10.5 <sup>3)</sup>
XB	4.4	8.0	4.4	7.0	2T	1.3	8.5	1.3	8.5	3E	2.6	15.0 <sup>3)</sup>	2.6	15.0 <sup>3)</sup>
2B	1.4	9.9	1.4	9.2	3T	2.6	10.5	2.6	10.5	4E	4.8	23.5 <sup>3)</sup>	4.8	15.0
3B	4.2	11.9	4.2	11.0	00 <sup>2)</sup>	1.3	4.4	1.3	4.4	5E	9.6	23.5	–	–
4B	4.9	16.0	4.9	15.0	0S	1.3	6.2 <sup>3)</sup>	1.3	6.2 <sup>3)</sup>	6E	13.0	30.0	–	–
5B	9.6	25.0	9.6	15.5	1S	1.4	8.7 <sup>3)</sup>	1.4	8.7 <sup>3)</sup>					
0K	1.0	5.0	1.0	5.0	2S	1.3	10.5 <sup>3)</sup>	1.3	10.5 <sup>3)</sup>					
1K	1.3	8.5 <sup>3)</sup>	1.3	8.5 <sup>3)</sup>	3S	2.6	13.0 <sup>3)</sup>	2.6	13.0 <sup>3)</sup>					
2K	1.3	10.5 <sup>3)</sup>	1.3	10.5 <sup>3)</sup>	4S	4.1	22.0 <sup>3)</sup>	4.1	13.0					
3K	2.6	15.0 <sup>3)</sup>	2.6	15.0 <sup>3)</sup>	5S	6.1	30.0	–	–					
4K	4.6	23.5 <sup>3)</sup>	4.6	15.0	6S	11.1	30.0	–	–					
5K	9.6	23.5	–	–										

**Note:**

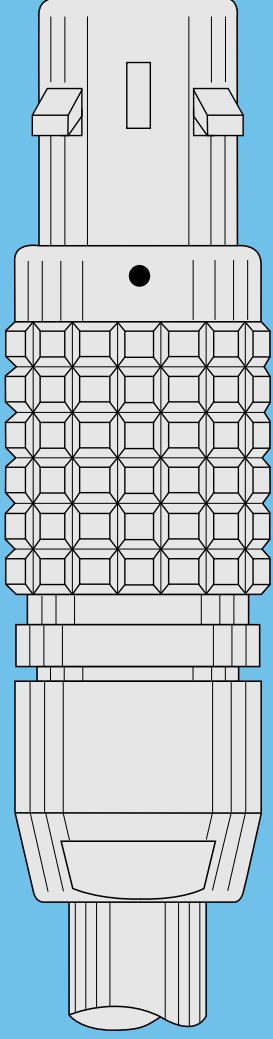
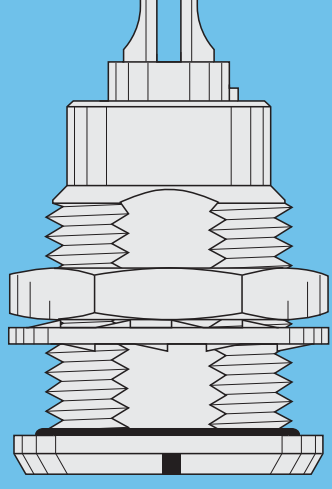
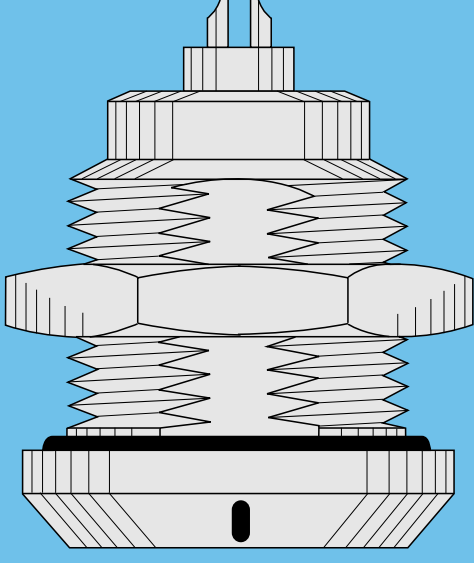
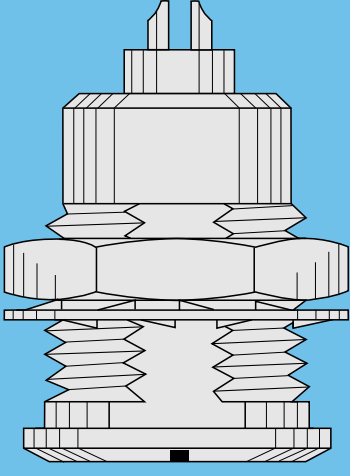
<sup>1)</sup> for multipole only.

<sup>2)</sup> for unipole only.

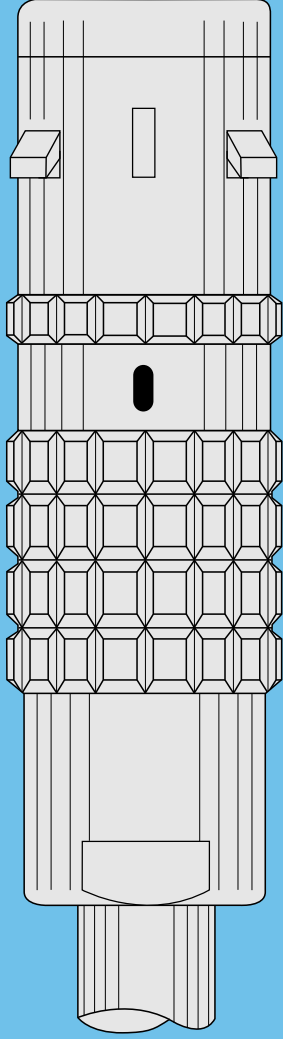
<sup>3)</sup> for these series the maximum cable diameter require models with oversized cable collet (type K).



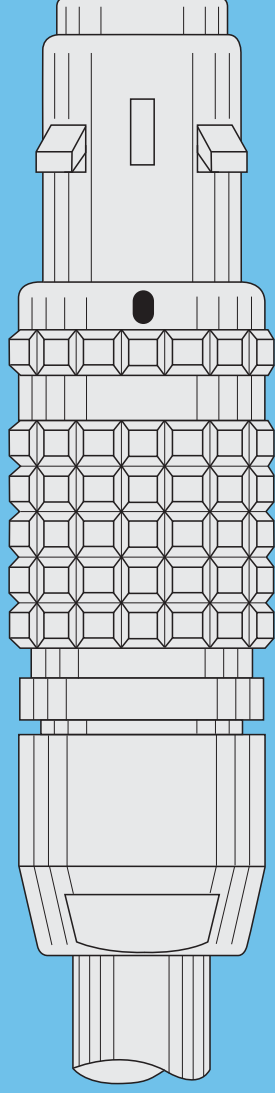




**B SERIES**



**K SERIES (watertight)**



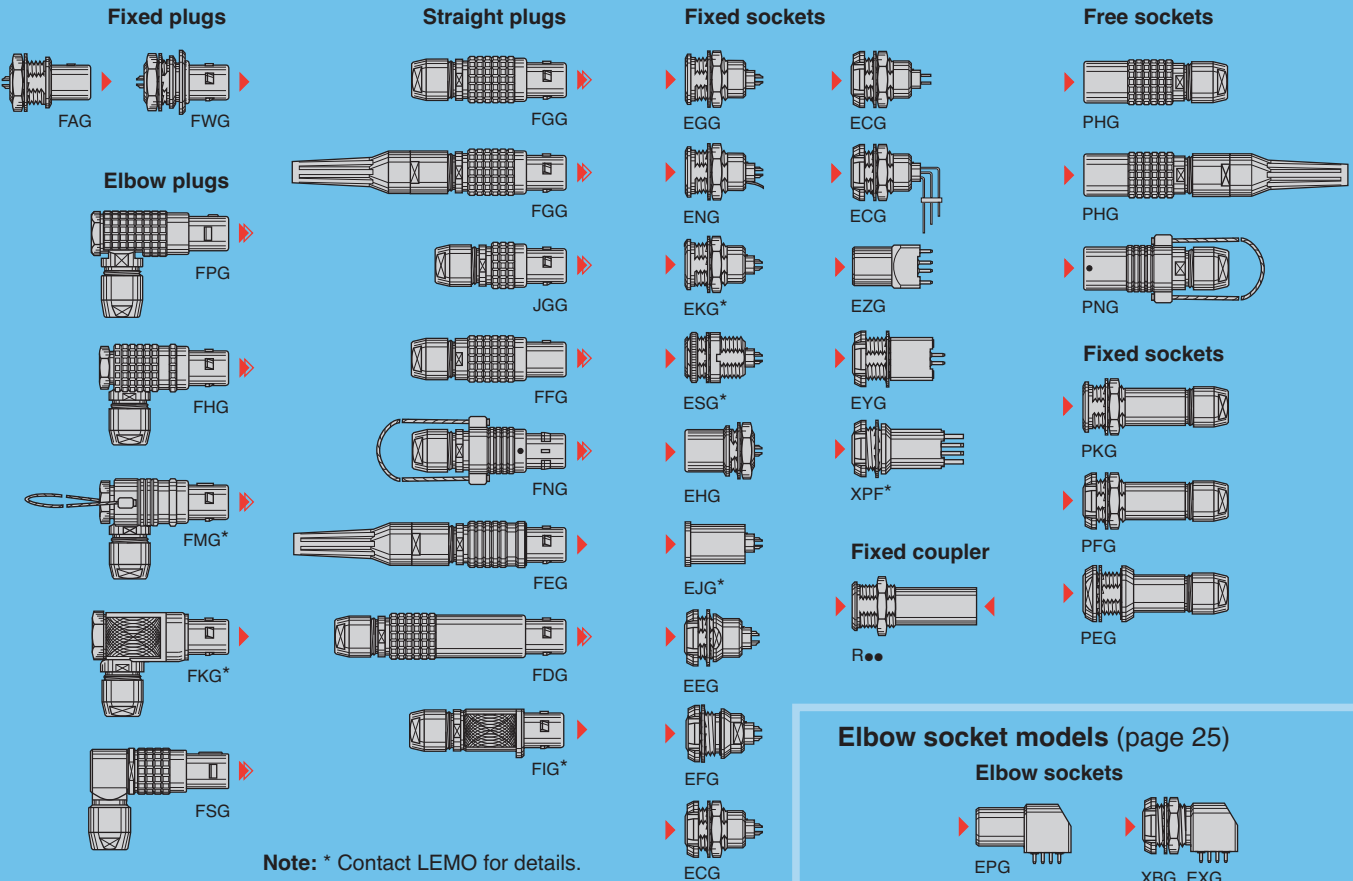
**T SERIES (watertight)**

# B Series

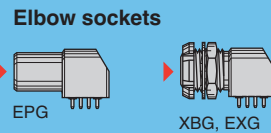
B series connectors provide the following main features:

- security of the Push-Pull self-latching system
- solder, crimp or print contacts (straight or elbow)
- multiple key options to avoid cross mating of similar connectors
- 360° screening for full EMC shielding.
- multipole types 2 to 64 contacts
- high packing density for space savings
- keying system («G» key standard) for connector alignment

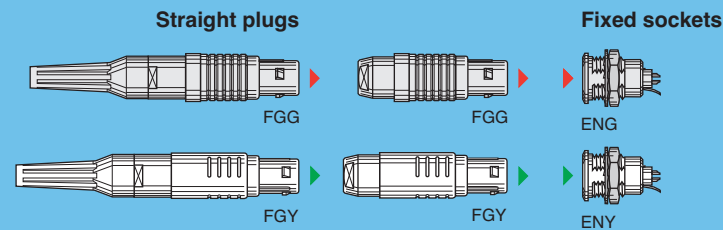
## Metal housing models (page 14)



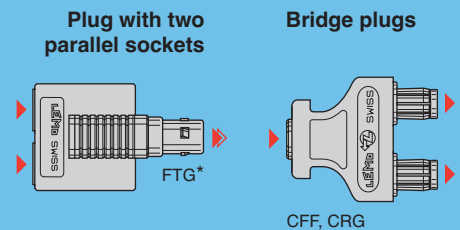
## Elbow socket models (page 25)



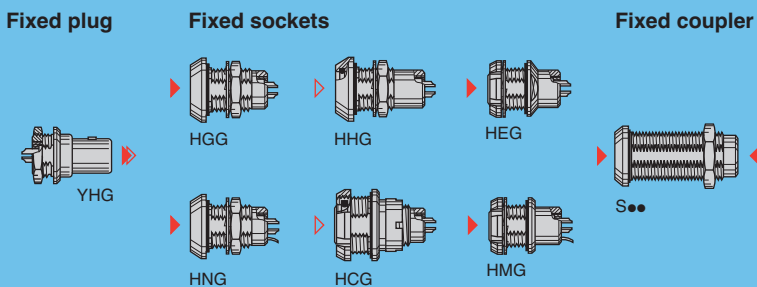
## Plastic housing models (page 28)



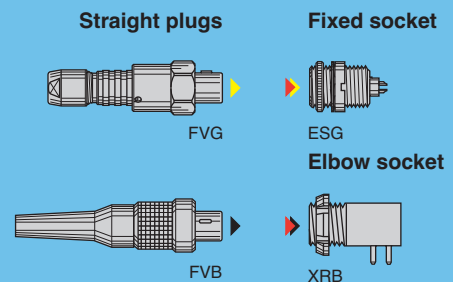
## Bridge models (page 34)



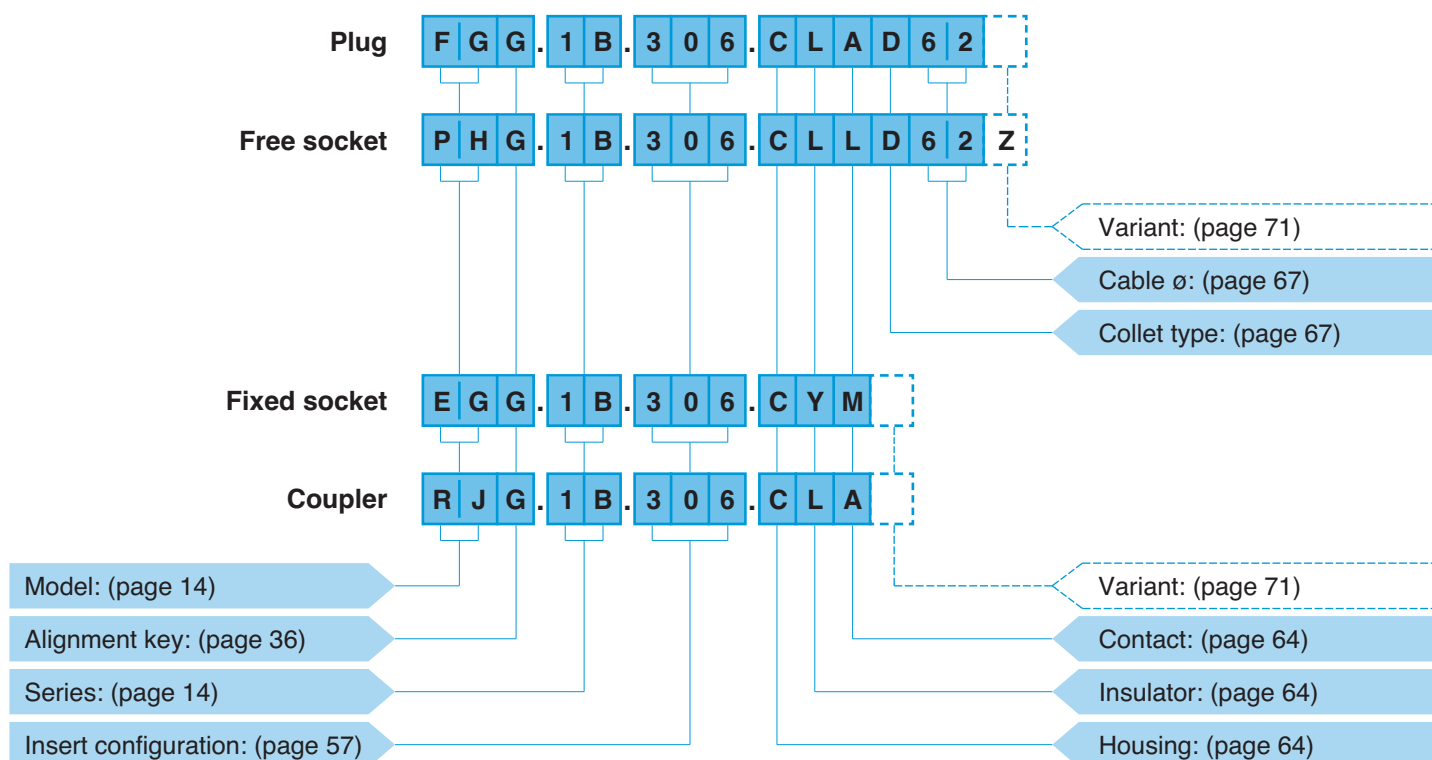
## Watertight or vacuumtight models (page 30)



## Threaded-latching models (page 35)



## Part Numbering System



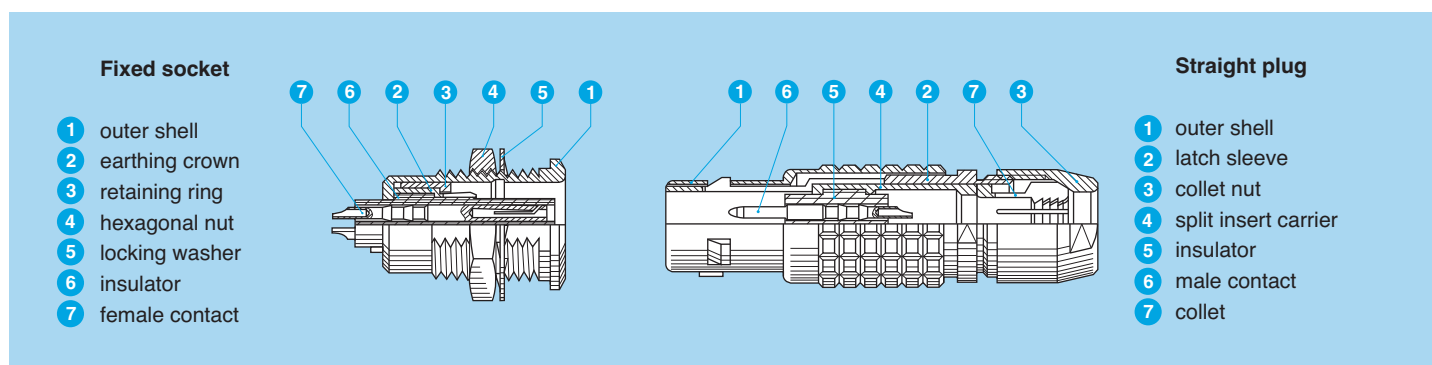
**FGG.1B.306.CLAD62** = straight plug with key (G) and cable collet, 1B series, multipole type with 6 contacts, outer shell in chrome-plated brass, PEEK insulator, male solder contacts, D type collet for 6.0 mm diameter cable.

**PHG.1B.306.CLLD62Z** = free socket with key (G) and cable collet, 1B series, multipole type with 6 contacts, outer shell in chrome-plated brass, PEEK insulator, female solder contacts, D type collet for 6.0 mm diameter cable and nut for fitting a bend relief.

**EGG.1B.306.CYM** = fixed socket, nut fixing, with key (G), 1B series, multipole type with 6 contacts, outer shell in chrome-plated brass, PEEK extended insulator, female crimp contacts.

**RJG.1B.306.CLA** = straight fixed coupler with keys (J) at the flange end and key (G) at the other end, 1B series, multipole type with 6 contacts, outer shell in chrome-plated brass, PEEK insulator, male-female contacts.

## Part Section Showing Internal Components







## Metal housing models

### Technical Characteristics

#### Mechanical and Climatical

Characteristics	Value	Standard
Endurance <sup>1)</sup>	> 5000 cycles	IEC 60512-5 test 9a
Humidity	up to 95% at 60° C	
Temperature range	- 55° C, + 250° C	
Resistance to vibrations	10-2000 Hz, 15g	IEC 60512-4 test 6d
Shock resistance	100 g, 6 ms	IEC 60512-4 test 6c
Salt spray corrosion test	> 1000h	IEC 60512-6 test 11f
Protection index (mated)	IP 50	IEC 60529
Climatical category	55/175/21	IEC 60068-1

#### Electrical

Characteristics	Value	Standard	
Shielding efficiency	at 10 MHz	> 75 dB	IEC 60169-1-3
	at 1 GHz	> 40 dB	IEC 60169-1-3

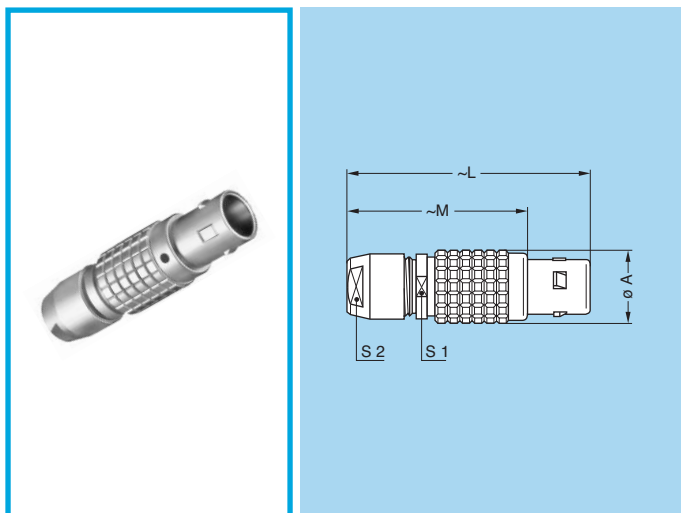
#### Note:

the various tests have been carried out with FGG and EGG connector pairs, with chrome-plated brass shell and PEEK insulator.

Detailed electrical characteristics, as well as materials and treatment are presented in the chapter Technical Characteristics on page 182.

<sup>1)</sup> see page 189, contact resistance after mating cycles. See page 185, mechanical endurance latching force.

### FGG Straight plug, key (G) or keys (A...M and R), cable collet

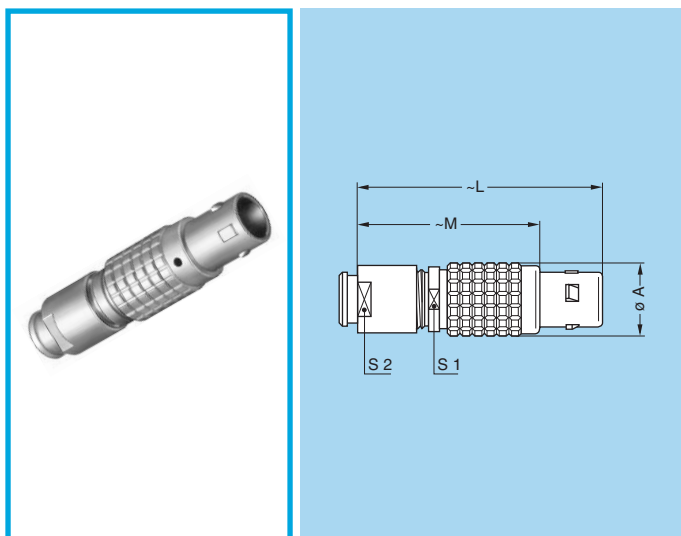


Reference		Dimensions (mm)				
Model	Series	A	L	M	S1	S2
FGG	00 <sup>1)</sup>	6.4	28.5	20.5	5.5	5
FGG	0B	9.5	36.0	26.0	8.0	7
FGG	1B	12.0	43.0	32.0	10.0	9
FGG	XB	13.0	44.0	33.5	11.0	10
FGG	2B	15.0	50.0	38.0	13.0	12
FGG	3B	18.0	58.0	43.0	15.0	14
FGG	4B	25.0	75.0	57.0	21.0	20
FGG	5B	35.0	103.0	78.0	31.0	30

**M1** Cable assembly (page 169)

**Note:** <sup>1)</sup> the surface design of the 00 series is different.

### FGG Straight plug, key (G) or keys (A...M), cable collet and nut for fitting a bend relief <sup>2)</sup>



Reference		Dimensions (mm)				
Model	Series	A	L	M	S1	S2
FGG	00 <sup>1)</sup>	6.4	28.7	20.7	5.5	6
FGG	0B	9.5	35.0	25.0	8.0	7
FGG	1B	12.0	42.0	31.0	10.0	9
FGG	XB	13.0	47.5	37.0	11.0	10
FGG	2B	15.0	49.0	37.0	13.0	12
FGG	3B	18.0	56.5	41.5	15.0	15
FGG	4B	25.0	71.0	53.0	21.0	20

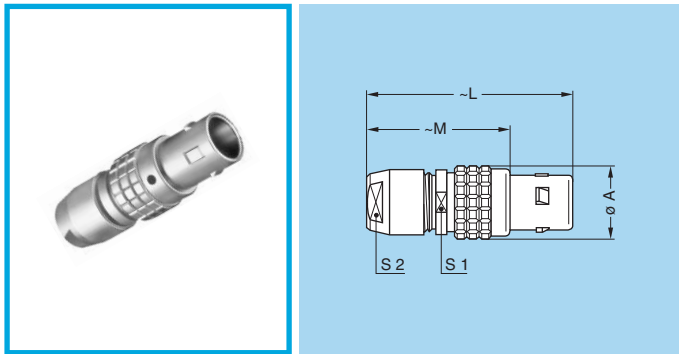
**M1** Cable assembly (page 169)

**Note:** <sup>1)</sup> the surface design of the 00 series is different.

**Note:** <sup>2)</sup> to order, add a «Z» at the end of the reference. The bend relief must be ordered separately (see page 145).



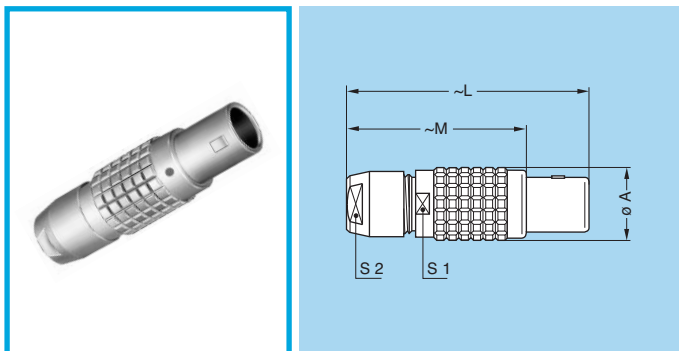
### JGG Straight plug, short version, key (G), cable collet



Reference		Dimensions (mm)				
Model	Series	A	L	M	S1	S2
JGG	0B	9.5	32	22	8	7

**M4** Cable assembly (page 171)

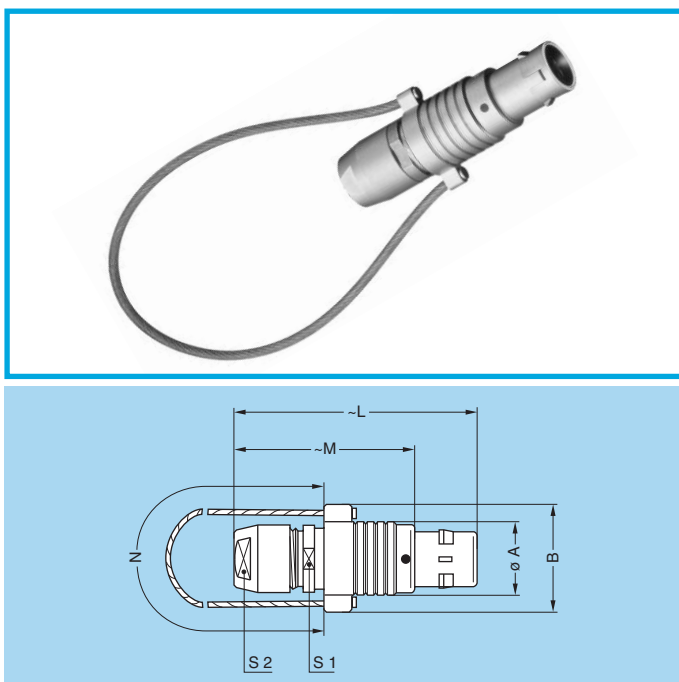
### FFG Straight plug, non-latching, key (G) or keys (A...M), cable collet



Reference		Dimensions (mm)				
Model	Series	A	L	M	S1	S2
FFG	0B	9.5	36	26	8	7
FFG	1B	12.0	43	32	10	9
FFG	2B	15.0	50	38	13	12
FFG	3B	18.0	58	43	15	14
FFG	4B	25.0	75	57	21	20

**M1** Cable assembly (page 169)

### FNG Straight plug, key (G) or keys (A...M and R), cable collet and lanyard release

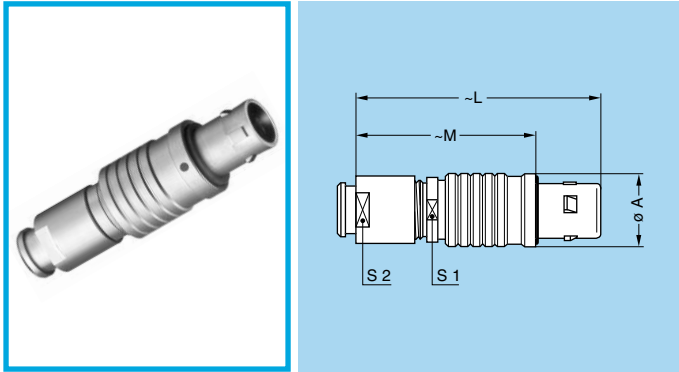


Reference		Dimensions (mm)						
Model	Series	A	B	L	M	N	S1	S2
FNG	0B	9.5	15.5	36.0	26.0	140	8	7
FNG	1B	12.0	18.0	43.0	32.0	140	10	9
FNG	2B	15.0	21.0	49.0	37.0	160	13	12
FNG	3B	18.0	25.0	58.0	43.0	190	15	14
FNG	4B	25.0	32.0	75.0	57.0	230	21	20
FNG	5B	35.0	42.0	103.0	78.0	300	31	30

**M1** Cable assembly (page 169)

**Note:** cable material: stainless steel with Polyamide sheath.

**FEG Straight plug, key (G) or keys (A...L), cable collet, front seal and nut for fitting a bend relief <sup>1)</sup>**  
(IP 54 protection index when mated)

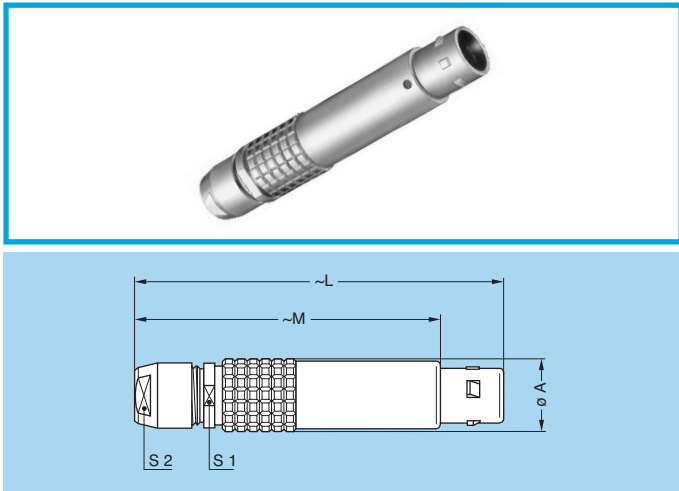


Reference		Dimensions (mm)				
Model	Series	A	L	M	S1	S2
FEG	0B	11.0	35.0	25.0	8	7
FEG	1B	13.5	42.0	33.0	10	9
FEG	2B	16.5	48.0	36.0	13	12
FEG	3B	19.0	56.5	41.5	15	15

**M1** Cable assembly (page 169)

**Note:** <sup>1)</sup> to order, add a «Z» at the end of the reference. The bend relief must be ordered separately (see page 145).

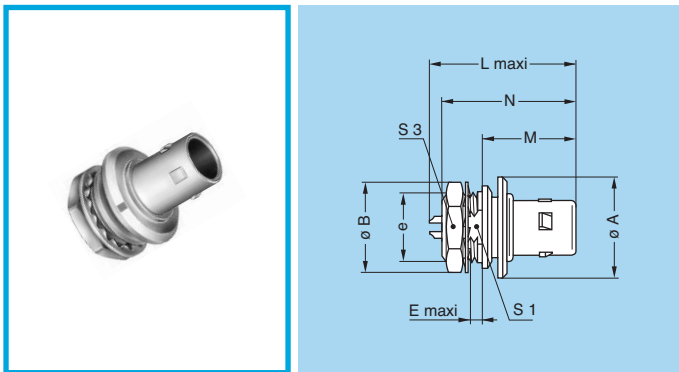
**FDG Straight plug, long version, key (G) or keys (A...L), cable collet**



Reference		Dimensions (mm)				
Model	Series	A	L	M	S1	S2
FDG	1B	12	68	57	10	9
FDG	2B	15	79	67	13	12

**M2** Cable assembly (page 171)

**FWG Fixed plug, nut fixing, key (G) or keys (A...L)**



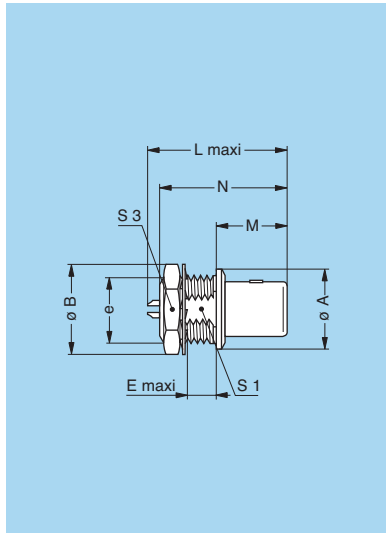
Reference		Dimensions (mm)								
Model	Series	A	B	e	E	L	M	N <sup>1)</sup>	S1	S3
FWG	0B	14.0	12.4	M9x0.6	1.8	22.5	14.5	19.5	8.2	11
FWG	1B	18.0	15.8	M12x1.0	2.9	24.9	17.0	24.8	10.5	14
FWG	2B	19.5	19.2	M15x1.0	4.1	28.6	18.0	27.3	13.5	17
FWG	3B	25.0	25.0	M18x1.0	4.2	32.1	23.0	31.5	16.5	22

**P9** Panel cut-out (page 157)

**Note:** <sup>1)</sup> maximum length with crimp contacts



### FAG Fixed plug, non-latching, nut fixing, key (G) or keys (A...M and R)



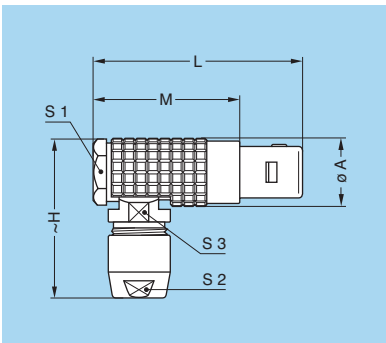
Reference		Dimensions (mm)								
Model	Series	A	B	e	E	L	M	N <sup>1)</sup>	S1	S3
FAG	00	8	10.2	M7x0.5	2.9	18.1	9.0	15.0	6.3	9
FAG	0B	10	12.4	M9x0.6	4.2	20.8	11.5	18.9	8.2	11
FAG	1B	14	15.8	M12x1.0	5.4	25.2	12.5	21.6	10.5	14
FAG	2B	18	19.2	M15x1.0	6.0	28.7	13.8	23.9	13.5	17
FAG	3B	22	25.0	M18x1.0	5.8	32.1	17.0	30.2	16.5	22
FAG	4B	29	34.0	M25x1.0	6.8	37.1	20.5	34.7	23.5	30
FAG	5B	40	40.0	M35x1.0	6.8	47.1	28.0	42.8	33.5	—

**P1** Panel cut-out (page 157)

**Note:** The 5B series is delivered without locking washer or tapered washer and with a round nut.

**Note:** <sup>1)</sup> maximum length with crimp contacts.

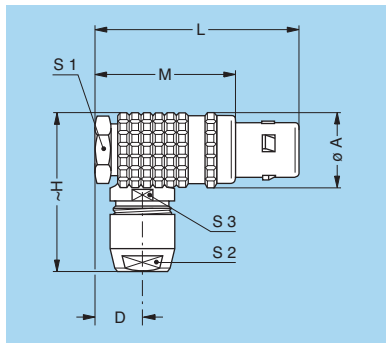
### FPG Elbow (90°) plug, key (G) or keys (A...M and R), cable collet



Reference		Dimensions (mm)						
Model	Series	A	H	L	M	S1	S2	S3
FPG	00	7.5	18	24.5	16.5	6.5	5	5.3
FPG	0B	9.5	23	30.0	20.0	8.0	7	8.0
FPG	1B	12.0	29	36.0	25.0	11.0	9	10.0
FPG	2B	15.0	35	41.5	29.5	13.5	12	13.0

**M3** Cable assembly (page 169)

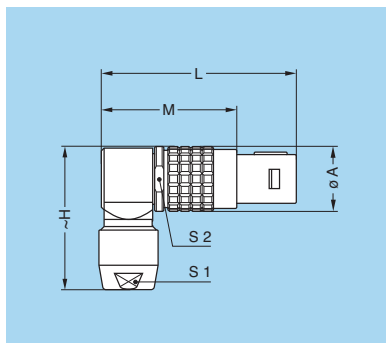
### FHG Elbow (90°) plug, key (G) or keys (A...M and R), cable collet



Reference		Dimensions (mm)							
Model	Series	A	D	H	L	M	S1	S2	S3
FHG	3B	19	10	37	50	35	17	14	15
FHG	4B	26	15	52	67	49	22	20	21
FHG	5B	36	21	74	90	65	32	30	31

**M3** Cable assembly (page 169)

### FSG Anglissimo right angle plug, key (G) or keys (A...M), cable collet

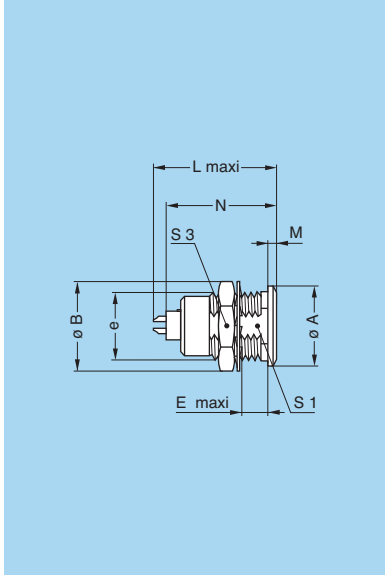
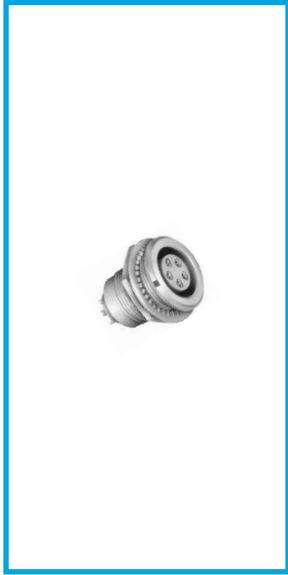


Reference		Dimensions (mm)					
Model	Series	A	H	L	M	S1	S2
FSG	00	8.0	18.1	24.8	16.8	5	7
FSG	0B	10.0	22.4	30.3	20.3	7	9
FSG	1B	12.0	26.4	36.5	25.5	9	11
FSG	2B	16.5	34.5	44.0	32.0	12	15

**M5** Cable assembly (page 170)



### EGG Fixed socket, nut fixing, key (G) or keys (A...M and R)



Reference		Dimensions (mm)								
Model	Series	A	B	e	E	L	M	N <sup>1)</sup>	S1	S3
EGG	00	8	10.2	M7x0.5	6.0	15.5	1.0	13.7	6.3	9
EGG	0B	10	12.4	M9x0.6	7.0	20.7	1.2	19.1	8.2	11
EGG	1B	14	15.8	M12x1.0	7.5	23.0	1.5	21.1	10.5	14
EGG	XB	16	19.0	M14x1.0	7.0	23.5	1.5	20.0	12.5	17
EGG	2B <sup>2)</sup>	18	19.2	M15x1.0	8.5	26.7	1.8	24.6	13.5	17
EGG	3B	22	25.0	M18x1.0	11.5	30.7	2.0	28.1	16.5	22
EGG	4B	28	34.0	M25x1.0	12.0	35.7	2.5	34.1	23.5	30
EGG	5B	40	40.0	M35x1.0	11.0	43.5	3.0	39.6	33.5	–

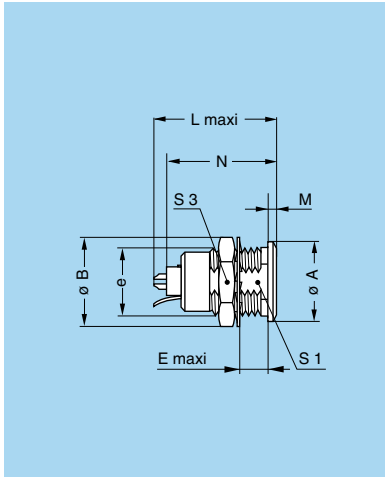
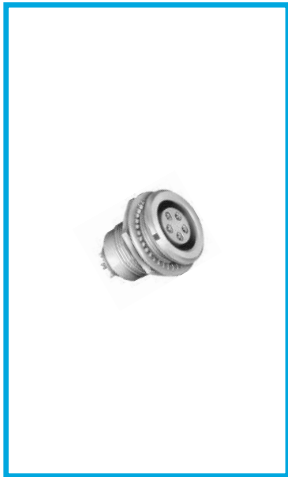
**P1** Panel cut-out (page 157)

**Note:** The 5B series is delivered with a tapered washer and a round nut.

**Note:** <sup>1)</sup> maximum length with crimp contacts.

<sup>2)</sup> EGG.2B.304.CLL and EGG.2B.307.CLL are UL 508A under file E119802.

### ENG Fixed socket with earthing tag, nut fixing, key (G) or keys (A...M)



Reference		Dimensions (mm)								
Model	Series	A	B	e	E	L	M	N <sup>1)</sup>	S1	S3
ENG	00	8	10.2	M7x0.5	6.0	15.5	1.0	13.7	6.3	9
ENG	0B	10	12.4	M9x0.6	7.0	20.7	1.2	19.1	8.2	11
ENG	1B <sup>2)</sup>	14	15.8	M12x1.0	7.5	23.0	1.5	21.1	10.5	14
ENG	2B	18	19.2	M15x1.0	8.5	26.7	1.8	24.6	13.5	17
ENG	3B	22	25.0	M18x1.0	11.5	30.7	2.0	28.1	16.5	22
ENG	4B	28	34.0	M25x1.0	12.0	35.7	2.5	34.1	23.5	30

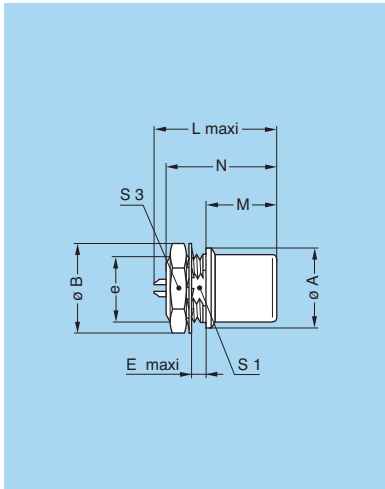
**P1** Panel cut-out (page 157)

**Note:**

<sup>1)</sup> maximum length with crimp contacts.

<sup>2)</sup> for the 1B series the earthing tag is on the same side of the key.

### EHG Fixed socket, nut fixing, key (G) or keys (A...M and R), and protruding shell



Reference		Dimensions (mm)								
Model	Series	A	B	e	E	L	M	N <sup>1)</sup>	S1	S3
EHG	00	8	10.2	M7x0.5	2.0	15.5	8.5	13.7	6.3	9
EHG	0B	10	12.4	M9x0.6	2.0	19.5	12.5	19.1	8.2	11
EHG	1B	14	15.8	M12x1.0	4.0	21.7	12.0	21.1	10.5	14
EHG	2B	18	19.2	M15x1.0	5.1	22.7	12.5	24.6	13.5	17
EHG	3B	22	25.0	M18x1.0	7.1	30.7	13.5	30.3	16.5	22
EHG	5B	40	40.0	M35x1.0	2.5	43.5	28.0	38.5	33.5	–

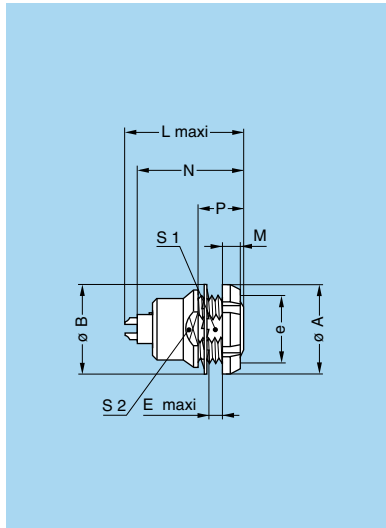
**P1** Panel cut-out (page 157)

**Note:** The 5B series is delivered without locking washer or tapered washer and with a round nut.

**Note:** <sup>1)</sup> maximum length with crimp contacts.



### EEG Fixed socket, nut fixing, key (G) or keys (A...M and R) (back panel mounting)



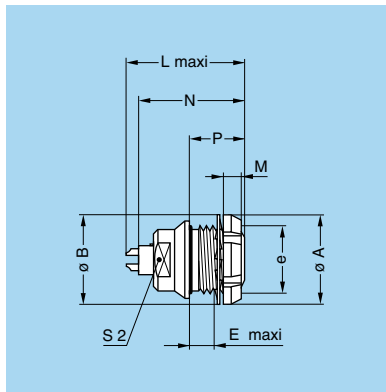
Reference		Dimensions (mm)									
Model	Series	A	B	e	E	L	M	N <sup>1)</sup>	P	S1	S2
EEG	00	10	9.5	M7x0.5	2.3	15.5	2.5	13.7	6.0	6.3	7.5
EEG	0B	12	12.5	M9x0.6	2.4	20.7	2.5	19.1	6.3	8.2	9.0
EEG	1B	16	16.0	M12x1.0	6.5	23.0	3.5	21.1	11.0	10.5	13.0
EEG	2B	20	20.0	M15x1.0	4.3	26.7	3.5	24.6	9.0	13.5	15.0
EEG	3B	24	25.0	M18x1.0	6.1	30.7	4.5	28.1	12.0	16.5	20.0
EEG	4B	30	32.1	M25x1.0	10.6	35.7	4.5	34.1	16.5	23.5	26.0
EEG	5B	41	40.0	M35x1.0	13.5	43.5	5.0	39.6	19.5	33.5	38.0

**P1** Panel cut-out (page 157)

**Note:** The 3B, 4B and 5B series are delivered with a conical nut. The 5B series is delivered without locking washer or tapered washer.

**Note:** <sup>1)</sup> maximum length with crimp contacts.

### EFG Fixed socket, nut fixing, key (G) or keys (A...M), with two flats on the shell and O-ring (back panel mounting)

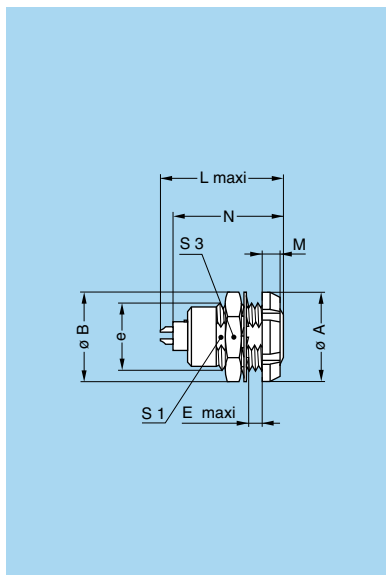


Reference		Dimensions (mm)									
Model	Series	A	B	e	E	L	M	N <sup>1)</sup>	P	S2	
EFG	0B	12	12.5	M9x0.6	5.5	20.7	2.5	19.1	9	8	

**P2** Panel cut-out (page 157)

**Note:** <sup>1)</sup> maximum length with crimp contacts.

### ECG Fixed socket with two nuts, key (G) or keys (A...M and R) (back panel mounting)



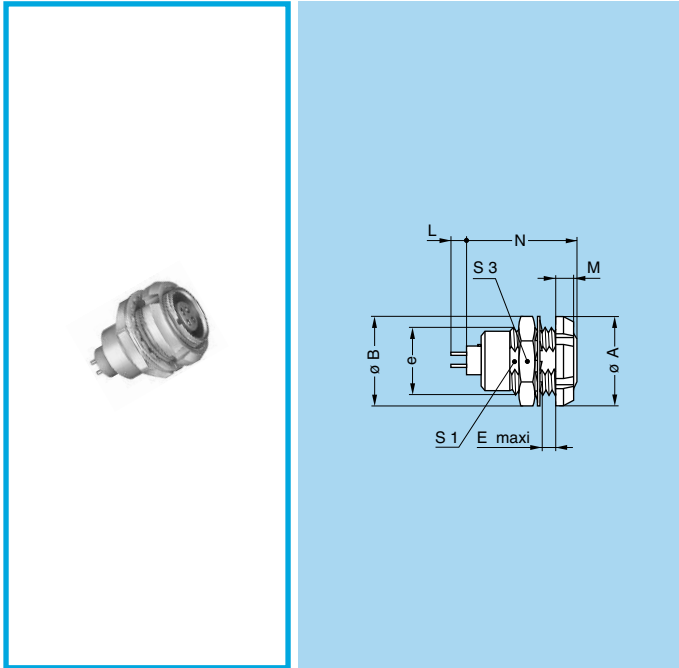
Reference		Dimensions (mm)									
Model	Series	A	B	e	E	L	M	N <sup>1)</sup>	S1	S3	
ECG	00	10	10.2	M7x0.5	4.3	13.7	2.5	13.7	6.3	9	
ECG	0B	12	12.4	M9x0.6	5.5	20.7	2.5	19.1	8.2	11	
ECG	1B	16	15.8	M12x1.0	6.0	23.0	3.5	21.1	10.5	14	
ECG	XB	18	19.0	M14x1.0	6.0	23.5	3.5	20.0	12.5	17	
ECG	2B	20	19.2	M15x1.0	6.5	26.7	3.5	24.6	13.5	17	
ECG	3B	24	25.0	M18x1.0	9.0	30.7	4.5	28.1	16.5	22	
ECG	4B	30	34.0	M25x1.0	10.0	35.7	4.5	32.6	23.5	30	
ECG	5B	41	40.0	M35x1.0	9.0	43.5	5.0	39.6	33.5	–	

**P1** Panel cut-out (page 157)

**Note:** The 3B, 4B and 5B series are delivered with a conical nut. The 5B series is delivered with a tapered washer and a round nut.

**Note:** <sup>1)</sup> maximum length with crimp contacts.

### ECG Fixed socket with two nuts, key (G) or keys (A...F and R) and straight contact for printed circuit (back panel mounting)



Reference		Dimensions (mm)							
Model	Series	A	B	e	E	M	N	S1	S3
ECG	00	10	10.2	M7x0.5	4.3	2.5	13.7	6.3	9
ECG	0B	12	12.4	M9x0.6	5.5	2.5	16.1	8.2	11
ECG	1B	16	15.8	M12x1.0	6.0	3.5	19.8	10.5	14
ECG	XB	18	19.0	M14x1.0	6.0	3.5	20.0	12.5	17
ECG	2B	20	19.2	M15x1.0	6.5	3.5	21.8	13.5	17
ECG	3B	24	25.0	M18x1.0	9.0	4.5	25.8	16.5	22
ECG	4B	30	34.0	M25x1.0	10.0	4.5	29.8	23.5	30
ECG	5B	41	40.0	M35x1.0	9.0	5.0	36.8	33.5	-

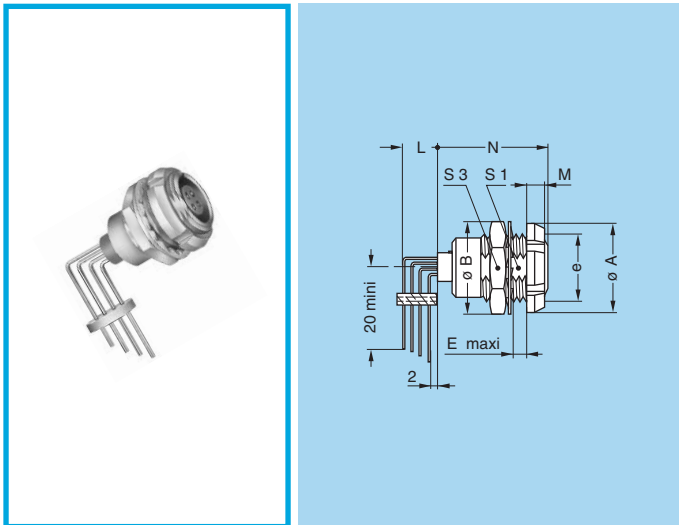
**P1** Panel cut-out (page 157)

**P15** PCB drilling pattern (page 160)

**Note:** The 3B, 4B and 5B series are delivered with a conical nut. The 5B series is delivered with a tapered washer and a round nut.

**Note:** This contact type is available for E●● socket models fitted with female contacts. Length «L» depends on the number of contacts, see table on page 163.

### ECG Fixed socket with two nuts, key (G) or keys (A...F) with elbow (90°) contact for printed circuit (back panel mounting)



Reference		Dimensions (mm)							
Model	Series	A	B	e	E	M	N <sub>max</sub>	S1	S3
ECG	0B	12	12.4	M9x0.6	5.5	2.5	18.3	8.2	11
ECG	1B	16	15.8	M12x1.0	6.0	3.5	20.3	10.5	14
ECG	2B	20	19.2	M15x1.0	6.5	3.5	22.3	13.5	17
ECG	3B	24	25.0	M18x1.0	9.0	4.5	25.8	16.5	22

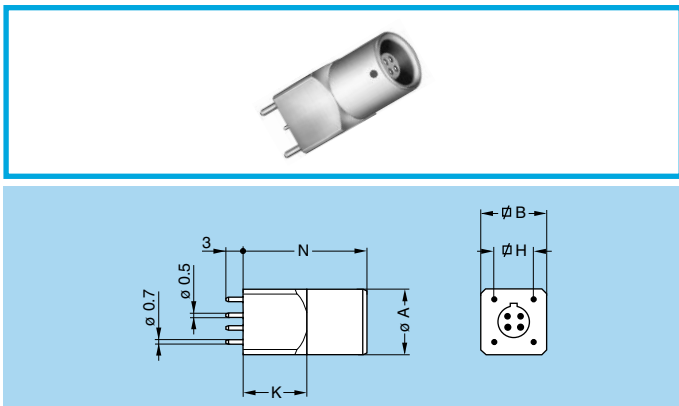
**P1** Panel cut-out (page 157)

**P17** PCB drilling pattern (page 164)

**Note:** The 3B series is delivered with a conical nut.

**Note:** this female contact type is available for all back panel mounting socket models. Length «L» depends on the number of contacts, see PCB drilling pattern on page 164. For male contacts, sockets are available upon request, with J, K or L keys.

### EZG Straight socket for printed circuit, key (G) or keys (A, B)

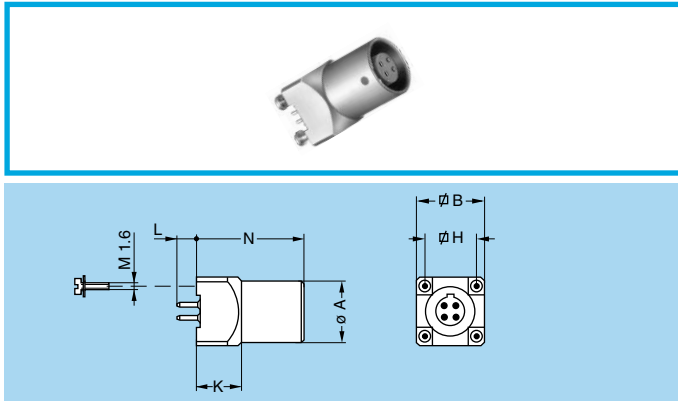


Reference		Dimensions (mm)				
Model	Series	A	B	H	K	N
EZG	00	6.8	7	5.08	7	14

**P15**+**P16** PCB drilling pattern (pages 160 and 163)



### EZG Straight socket for printed circuit, key (G) or keys (A...F)

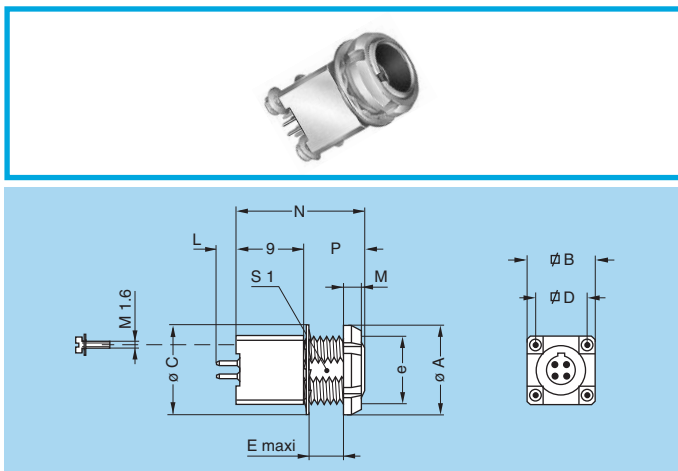


Reference		Dimensions (mm)				
Model	Series	A	B	H	K	N
EZG	0B	9	10	7.62	8	15.0
EZG	1B	11	12	7.62	8	19.0
EZG	2B	14	15	10.16	9	22.5

**P15** + **P16** PCB drilling pattern (pages 160 and 163)

**Note:** Length «L» depends on the number of contacts, see table on page 163.

### EYG Fixed socket for printed circuit, nut fixing, key (G) or keys (A...F) (back panel mounting)



Reference		Dimensions (mm)									
Model	Series	A	B	C	D	e	E	M	N	P	S1
EYG	0B	12	10	12.5	7.62	M9x0.6	2.6	2.5	15.0	6.0	8.2
EYG	1B	14	12	16.0	7.62	M11x0.5	5.0	3.5	19.0	10.0	-
EYG	2B	20	15	19.5	10.16	M15x1.0	7.5	3.5	22.5	13.5	13.5

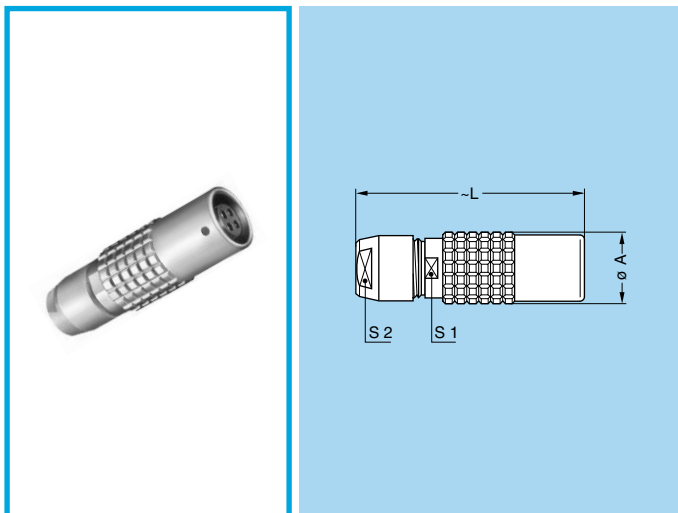
**P1** Panel cut-out 0B and 2B series (page 157)

**P10** Panel cut-out 1B series (page 157)

**P15** + **P16** PCB drilling pattern (pages 160 and 163)

**Note:** Length «L» depends on the number of contacts, see page 163.

### PHG Free socket, key (G) or keys (A...M and R), cable collet



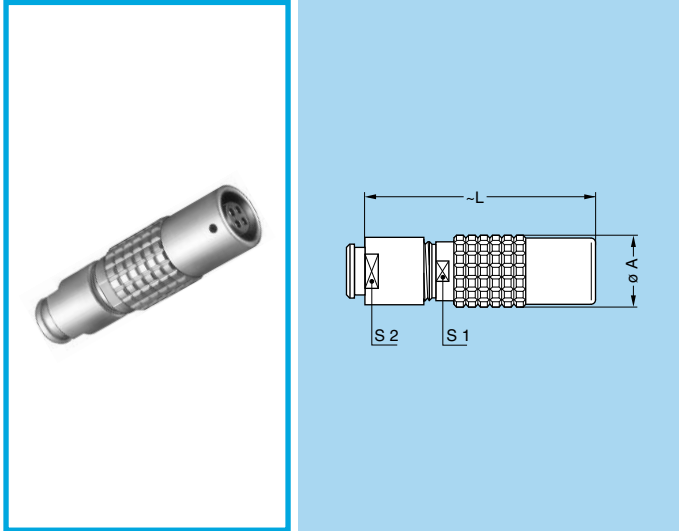
Reference		Dimensions (mm)			
Model	Series	A	L	S1	S2
PHG	00 <sup>1)</sup>	6.8	26.0	5.5	5
PHG	0B	9.5	35.5	8.0	7
PHG	1B	12.5	40.5	10.0	9
PHG	XB	13.0	46.0	11.0	10
PHG	2B	16.5	47.0	13.0	12
PHG	3B	19.0	56.0	15.0	14
PHG	4B	26.0	73.0	21.0	20
PHG	5B	36.0	99.0	31.0	30

**M1** Cable assembly (page 169)

**Note:** <sup>1)</sup> the surface design of the 00 series is different.



**PHG Free socket, key (G) or keys (A...M), cable collet and nut for fitting a bend relief <sup>2)</sup>**



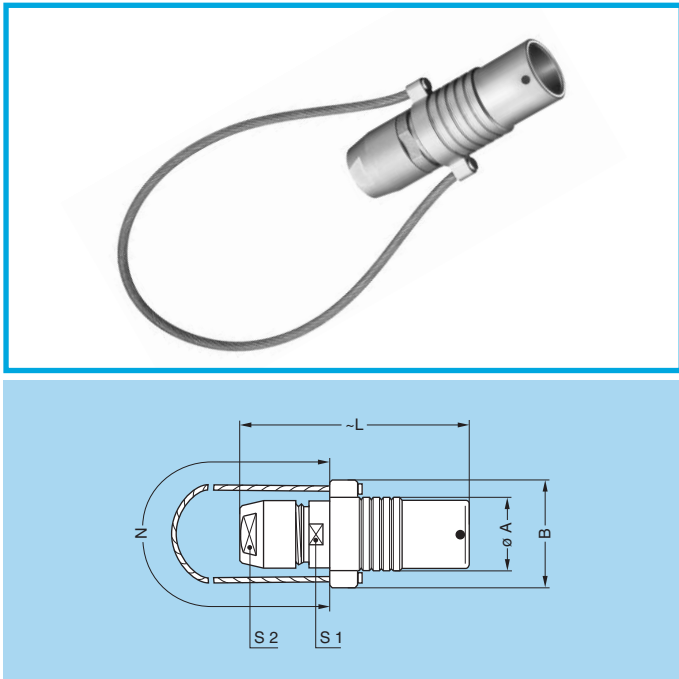
Reference		Dimensions (mm)			
Model	Series	A	L	S1	S2
PHG	00 <sup>1)</sup>	6.8	34.0	5.5	6
PHG	0B	9.5	34.5	8.0	7
PHG	1B	12.5	39.5	10.0	9
PHG	XB	13.0	49.5	11.0	10
PHG	2B	16.5	46.0	13.0	12
PHG	3B	19.0	54.5	15.0	15
PHG	4B	26.0	69.0	21.0	20

**M1** Cable assembly (page 169)

**Note:** <sup>1)</sup> the surface design of the 00 series is different.

**Note:** <sup>2)</sup> to order, add a «Z» at the end of the reference. The bend relief must be ordered separately (see page 145).

**PNG Free socket, nut fixing, key (G) or keys (A...L and R), cable collet with lanyard release**



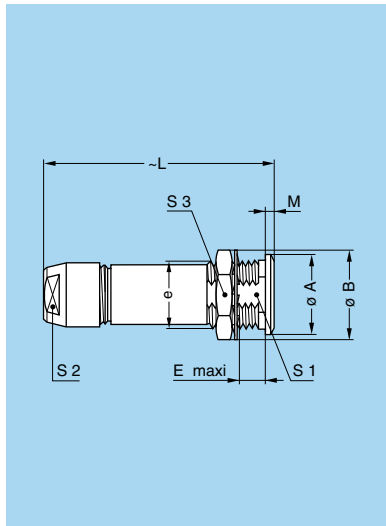
Reference		Dimensions (mm)					
Model	Series	A	B	L	N	S1	S2
PNG	1B	12.4	18.4	40.5	140	10	9
PNG	2B	16.5	22.5	47.0	160	13	12
PNG	3B	19.0	26.0	56.0	190	15	14
PNG	4B	26.0	33.0	73.0	230	21	20
PNG	5B	36.0	43.0	99.0	300	31	30

**M1** Cable assembly (page 169)

**Note:** cable material: stainless steel with Polyamide sheath.



### PKG Fixed socket, nut fixing, key (G) or keys (A...M and R), cable collet



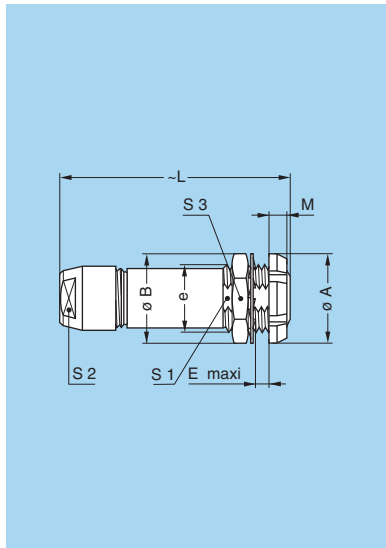
Reference		Dimensions (mm)								
Model	Series	A	B	e	E	L	M	S1	S2	S3
PKG	00	8	10.2	M7x0.5	6.5	26.0	1.0	6.3	5	9
PKG	0B	10	12.4	M9x0.6	7.0	35.5	1.2	8.2	7	11
PKG	1B	14	15.8	M12x1.0	7.5	40.5	1.5	10.5	9	14
PKG	2B	18	19.2	M15x1.0	8.5	47.0	1.8	13.5	12	17
PKG	3B	22	25.0	M18x1.0	11.5	56.0	2.0	16.5	14	22
PKG	4B	28	34.0	M25x1.0	12.0	73.0	2.5	23.5	20	30
PKG	5B	40	40.0	M35x1.0	11.0	99.0	3.0	33.5	30	—

**P1** Panel cut-out (page 157)

**M1** Cable assembly (page 169)

**Note:** the 5B series is delivered with a tapered washer and a round nut.

### PFG Fixed socket, with two nuts, key (G) or keys (A...M and R), cable collet (back panel mounting)



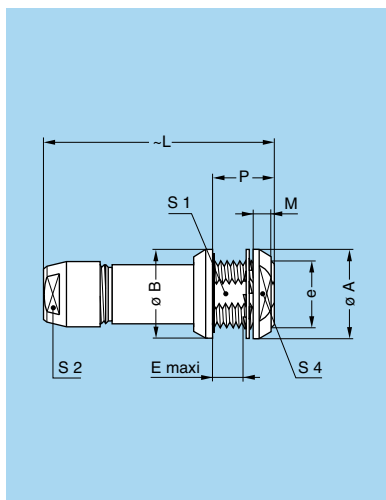
Reference		Dimensions (mm)								
Model	Series	A	B	e	E	L	M	S1	S2	S3
PFG	00	10	10.2	M7x0.5	5.3	26.0	2.5	6.3	5	9
PFG	0B	12	12.4	M9x0.6	5.0	35.5	2.5	8.2	7	11
PFG	1B	16	15.8	M12x1.0	5.0	40.5	3.5	10.5	9	14
PFG	2B	20	19.2	M15x1.0	6.5	47.0	3.5	13.5	12	17
PFG	3B	24	25.0	M18x1.0	9.0	56.0	4.5	16.5	14	22
PFG	4B	30	34.0	M25x1.0	11.0	73.0	4.5	23.5	20	30
PFG	5B	41	40.0	M35x1.0	10.0	99.0	5.0	33.5	30	—

**P1** Panel cut-out (page 157)

**M1** Cable assembly (page 169)

**Note:** the 3B, 4B and 5B series are delivered with a conical nut. The 5B series is delivered with a tapered washer and a round nut.

### PEG Fixed socket, nut fixing, key (G) or keys (A...L), cable collet (back panel mounting)



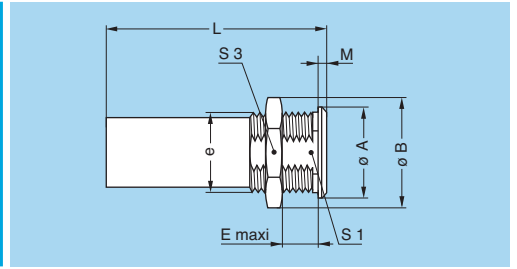
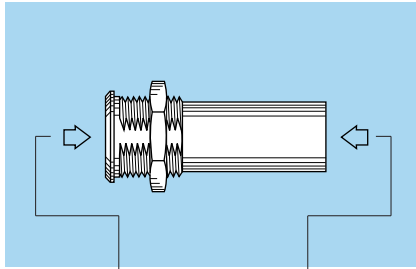
Reference		Dimensions (mm)									
Model	Series	A	B	e	E	L	M	P	S1	S2	S4
PEG	3B	24	25	M18x1.0	5.0	56	4.5	12	16.5	14	20
PEG	4B	32	34	M25x1.0	12.5	73	5.0	20	23.5	20	27

**P1** Panel cut-out (page 157)

**M1** Cable assembly (page 169)

**Note:** the 4B series has an o-ring on the flange.

**R●● Fixed coupler, nut fixing, key (G) or keys (A and J) at the flange end and keys (J, K or M) at the other end**



G		RGG		G
J		RJG		G
G		RGJ		J
A		RAK		K
G		RGM		M

Example

Plug with key G      RGJ      Plug with key J

Alignment key see page 36.

Reference		Contacts	Dimensions (mm)							
Model	Series	Type	A	B	e	E	L	M	S1	S3
RGG <sup>1)</sup>	0B	female – female	12	13.8	M10x0.75	8.0	34	2.0	9.0	12
RGG <sup>2)</sup>	0B	female – female	12	13.8	M10x0.75	8.0	43	2.0	9.0	12
RJG	0B	male – female	12	13.8	M10x0.75	8.0	34	2.0	9.0	12
RGJ	0B	female – male	12	13.8	M10x0.75	8.0	34	2.0	9.0	12
RAK	0B	female – male	12	13.8	M10x0.75	8.0	34	2.0	9.0	12
RGM	0B	female – male	12	13.8	M10x0.75	8.0	34	2.0	9.0	12
RGG <sup>3)</sup>	1B	female – female	16	19.2	M14x1.00	8.5	47	2.5	12.5	17
RJG	1B	male – female	16	19.2	M14x1.00	8.5	39	2.5	12.5	17
RGJ	1B	female – male	16	19.2	M14x1.00	8.5	39	2.5	12.5	17
RJG	2B	male – female	20	21.5	M16x1.00	12.0	44	4.0	15.0	19
RGJ	2B	female – male	20	21.5	M16x1.00	12.0	44	4.0	15.0	19
RGJ	3B	female – male	25	27.0	M20x1.00	32.0	53	4.0	18.5	24
RGJ	4B	female – male	34	34.0	M25x1.00	50.0	65	4.0	23.5	30

**P4** Panel cut-out (page 157)

**Note:**

- 1) only available with two contacts.
- 2) RGG.0B only available from 3 till 5 contacts.
- 3) RGG.1B only available till 7 contacts.

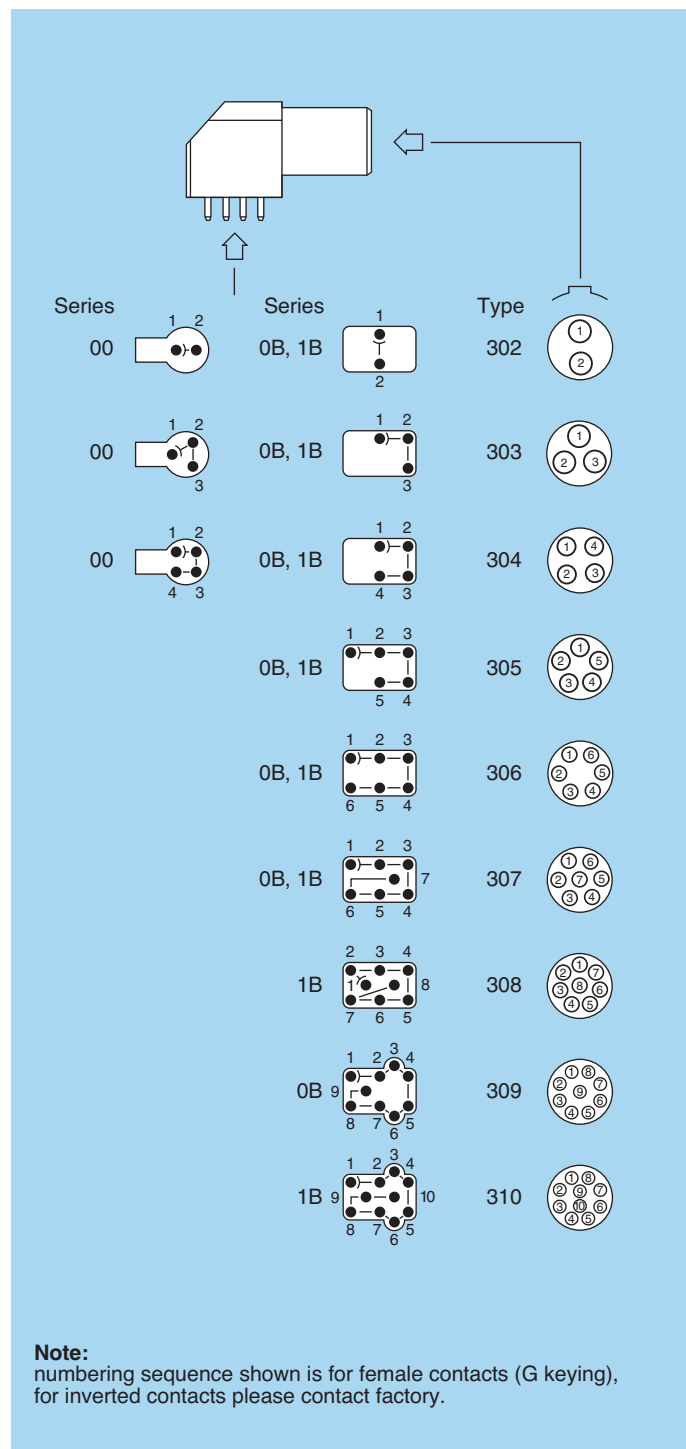
For this fixed coupler, the first contact type mentioned is always the one at the flange end. On request, these couplers can be produced in other series, with other keys.



## Elbow socket models

### Technical Characteristics

#### Types



#### Materials and Treatment

Component	Material	Surface Treat. ( $\mu\text{m}$ )		
		Cu	Ni	Au
Housing	PPS	-		
	Brass	0.5	3	-
Metallic parts	Brass	0.5	3	-
Earthing crown	Bronze	0.5	3	-
Insulator	PEEK	-		
Female contact	Bronze	0.5	3	1.5

#### Note:

The surface treatment standards are as follows:  
 - Nickel: SAE AMS QQ N 290. - Gold: ISO 27874

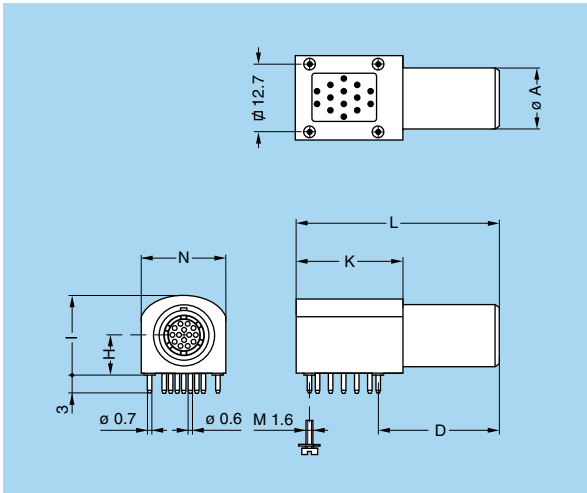
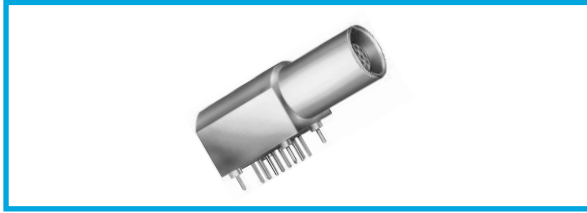
#### Electrical

Model	Series	Types	Test voltage (kV rms) <sup>1)</sup> Contact-contact	Test voltage (kV rms) <sup>1)</sup> Contact-shell	Rated current (A) <sup>1)</sup>
EPG-XBG	00	302-303-304	1.00	1.00	2.0
EPG-EXG	0B	302	1.45	1.20	4.5
EPG-EXG	0B	303	1.70	1.60	4.5
EPG-EXG	0B	304	1.30	1.10	4.5
EPG-EXG	0B	305	1.25	1.20	4.5
EPG-EXG	0B	306	1.25	1.20	2.5
EPG-EXG	0B	307	1.00	1.00	2.0
EPG-EXG	0B	309	0.60	0.50	1.5
EPG-EXG	1B	302	1.70	1.45	4.5
EPG-EXG	1B	303	1.60	1.85	4.5
EPG-EXG	1B	304	1.70	1.80	4.5
EPG-EXG	1B	305	1.30	1.55	4.5
EPG-EXG	1B	306	1.35	1.45	4.5
EPG-EXG	1B	307	1.45	1.45	2.0
EPG-EXG	1B	308	1.30	1.30	2.0
EPG-EXG	1B	310	1.00	1.00	1.5
EPG	1B	314	1.00	1.30	1.0

#### Note:

<sup>1)</sup> see calculation method, caution and suggested standard on page 190.

**EPG Elbow (90°) socket for printed circuit, key (G) or keys (A...F) (solder or screw fixing)**

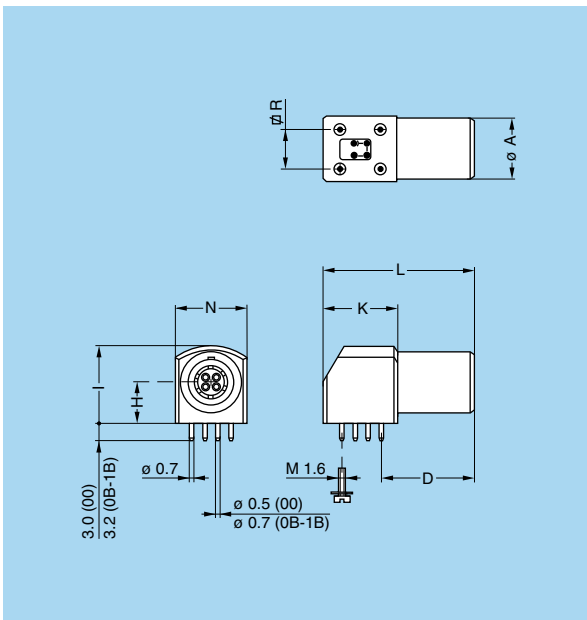


Part number	Dimensions (mm)						
	A	D	H	I	K	L	N
<b>EPG.1B.314.NLN</b>	11	21	7.7	14.3	19	36	15.4

**P20** PCB drilling pattern (page 165)

**Note:** to replace the 4 ground pins by 4 screws (M1.6) add an «S» to the end of the part number. (e.g.: EPG.1B.314.NLNS)

**EPG Elbow (90°) socket for printed circuit, key (G) or keys (A...F) (solder or screw fixing)**



Part number	Dimensions (mm)							
	A	D	H	I	K	L	N	R
<b>EPG.00.302.HLN</b>								
<b>EPG.00.303.HLN</b>	6.8	11.5	3.5	7.0	8.7	19	7.1	5.08
<b>EPG.00.304.HLN</b>								
<b>EPG.0B.302.HLN</b>								
<b>EPG.0B.303.HLN</b>								
<b>EPG.0B.304.HLN</b>								
<b>EPG.0B.305.HLN</b>	9.0	14.6	6.7	12.6	13.3	25	11.7	7.62
<b>EPG.0B.306.HLN</b>								
<b>EPG.0B.307.HLN</b>								
<b>EPG.0B.309.HLN</b>								
<b>EPG.1B.302.HLN</b>								
<b>EPG.1B.303.HLN</b>								
<b>EPG.1B.304.HLN</b>								
<b>EPG.1B.305.HLN</b>	11.0	16.6	7.5	14.0	13.3	27	12.6	7.62
<b>EPG.1B.306.HLN</b>								
<b>EPG.1B.307.HLN</b>								
<b>EPG.1B.308.HLN</b>								
<b>EPG.1B.310.HLN</b>								

**Note:** In the 0B and 1B series, it is possible to replace the 4 ground pins by 4 screws (M1.6) add an «S» to the end of the part number. (e.g.: EPG.0B.307.HLNS)

**P18** PCB drilling pattern 00 series (page 165)

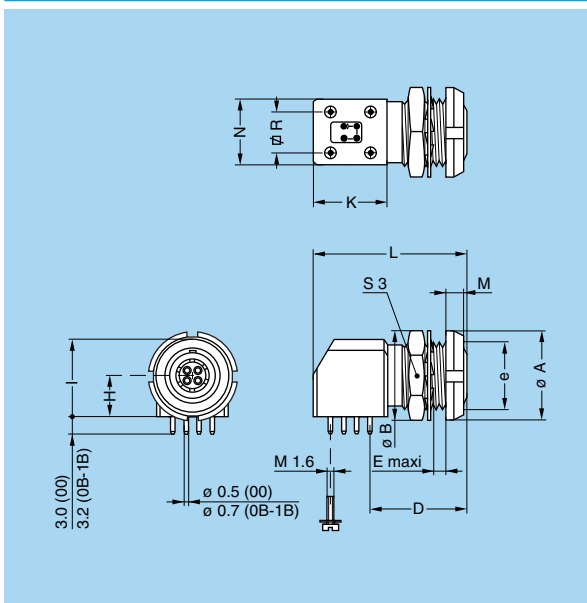
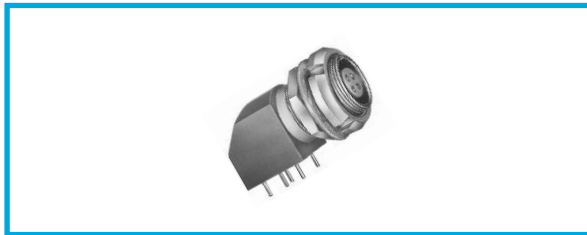
**P19** PCB drilling pattern 0B, 1B series (page 165)





**EXG Elbow (90°) socket for printed circuit with two nuts, key (G) or keys (A...F) (solder or screw fixing) (back panel mounting)**

**XBG Elbow (90°) socket fixing nut for printed circuit, key (G) or keys (A, B) (back panel mounting)**



**Note:** In the 0B and 1B series, it is possible to replace the 4 ground pins by 4 screws (M1.6) add an «S» to the end of the part number. (e.g.: EXG.0B.307.HLNS).

Part number	Dimensions (mm)												
	A	B	D	e	E	H	I	K	L	M	N	R	S3
<b>XBG.00.302.HLN</b>													
<b>XBG.00.303.HLN</b>	10	10.2	11.5	M7x0.5	2.1	3.5	7.0	8.7	19	2.5	7.1	5.08	9
<b>XBG.00.304.HLN</b>													
<b>EXG.0B.302.HLN</b>													
<b>EXG.0B.303.HLN</b>													
<b>EXG.0B.304.HLN</b>													
<b>EXG.0B.305.HLN</b>	12	12.4	14.6	M9x0.6	4.5	6.7	12.6	13.3	25	2.5	11.7	7.62	11
<b>EXG.0B.306.HLN</b>													
<b>EXG.0B.307.HLN</b>													
<b>EXG.0B.309.HLN</b>													
<b>EXG.1B.302.HLN</b>													
<b>EXG.1B.303.HLN</b>													
<b>EXG.1B.304.HLN</b>													
<b>EXG.1B.305.HLN</b>	14	15.0	16.6	M11x0.5	7.5	7.5	14.0	13.3	27	3.5	12.6	7.62	13
<b>EXG.1B.306.HLN</b>													
<b>EXG.1B.307.HLN</b>													
<b>EXG.1B.308.HLN</b>													
<b>EXG.1B.310.HLN</b>													

**P2** Panel cut-out 00, 0B series (page 157)

**P10** Panel cut-out 1B series (page 157)

**P18** PCB drilling pattern 00 series (page 165)

**P19** PCB drilling pattern 0B, 1B series (page 165)

# Plastic housing models

These connectors are particularly recommended for all applications requiring maximum electrical insulation when mated. The design, including a latch sleeve and a metal earthing crown, guarantees EMC screening efficiency to meet most requirements.

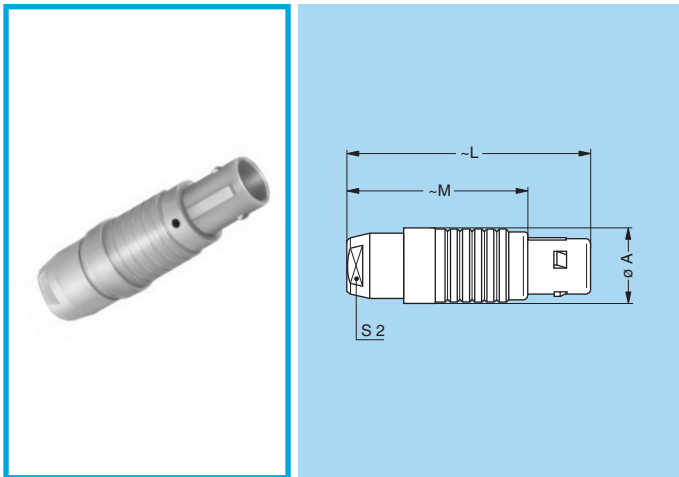
## Technical Characteristics

### Mechanical and Climatical

Characteristics	Value			Standard
	PEEK	PSU	PPSU	
Colour	natural (beige)	white or grey	cream	–
Endurance <sup>1)</sup>	> 5000 cycles	> 5000 cycles	> 5000 cycles	IEC 60512-5 test 9a
Humidity	up to 95% at 60° C			–
Temperature range	- 50° C/+ 250° C	- 50° C/+ 150° C	- 50° C/+ 180° C	–
Sterilization resistance <sup>2)</sup>	> 200 cycles	~20 cycles	> 100 cycles	IEC 60601-1 § 44.7
Resistance to solvents	very good	limited	good	–

**Note:** <sup>1)</sup> see page 189, contact resistance after mating cycles. See page 185, mechanical endurance latching force. <sup>2)</sup> Steam sterilization.

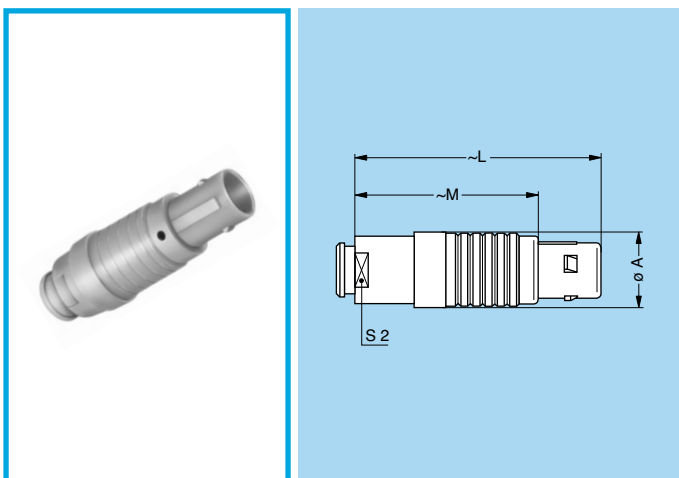
### FGG Straight plug, key (G or J), cable collet, PEEK outer shell



Reference		Dimensions (mm)			
Model	Series	A	L	M	S2
FGG	0B	11.0	37.4	27.4	8
FGG	1B	13.5	43.0	32.0	10
FGG	3B	19.0	62.0	47.0	15
FGG	4B	26.0	78.5	60.5	20

**M1** Cable assembly (page 169)

### FGG Straight plug, key (G or J), cable collet, PEEK outer shell and nut for fitting a bend relief <sup>1)</sup>



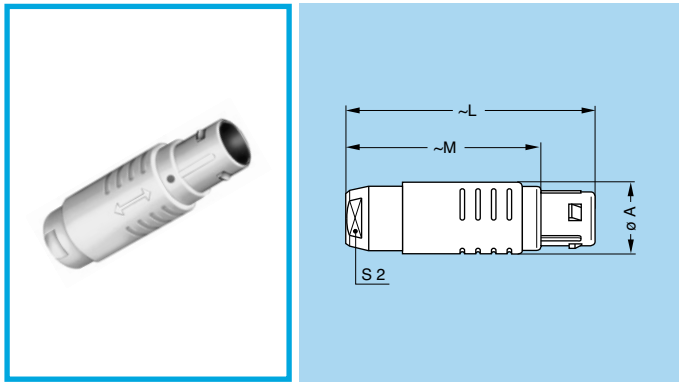
Reference		Dimensions (mm)				Note on availability
Model	Series	A	L	M	S2	
FGG	1B	13.5	42.2	31.2	10	for all collet type
FGG	4B	26.0	83.2	65.2	20	only from collet M82 and up

**M1** Cable assembly (page 169)

**Note:** <sup>1)</sup> to order, add a «Z» at the end of the reference. The bend relief must be ordered separately (see page 145).



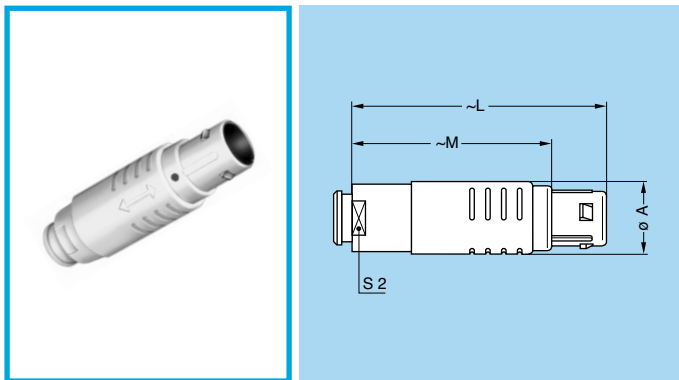
### FGY Straight plug, keys (Y), cable collet and PSU or PPSU outer shell



Reference		Dimensions (mm)			
Model	Series	A	L	M	S2
FGY	2B	16.5	50.5	39.5	13
FGY	3B	19.0	58.0	43.0	15
FGY	4B	26.0	76.2	58.2	20

**M1** Cable assembly (page 169)

### FGY Straight plug, keys (Y), cable collet and PSU or PPSU outer shell and nut for fitting a bend relief <sup>1)</sup>

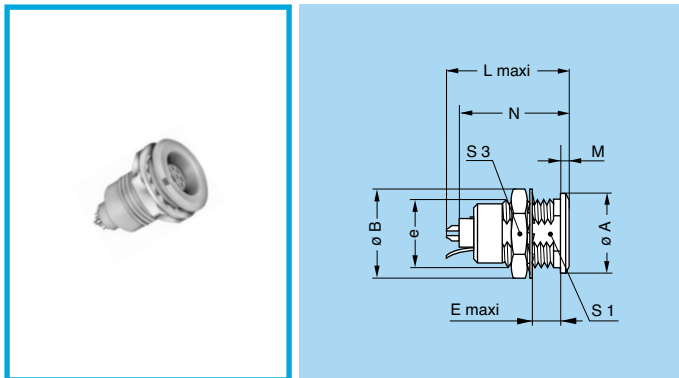


Reference		Dimensions (mm)				Note on availability
Model	Series	A	L	M	S2	
FGY	2B	16.5	49.5	38.5	13	only for collet M42 and up
FGY	3B	19.0	56.5	41.5	15	only for collet D62 and up
FGY	4B	26.0	74.4	56.4	20	only for collet D82 and up

**M1** Cable assembly (page 169)

**Note:** <sup>1)</sup> to order, add a «Z» at the end of the reference. The bend relief must be ordered separately (see page 145).

### ENG Fixed socket with earthing tag, nut fixing, key (G or J), PEEK outer shell

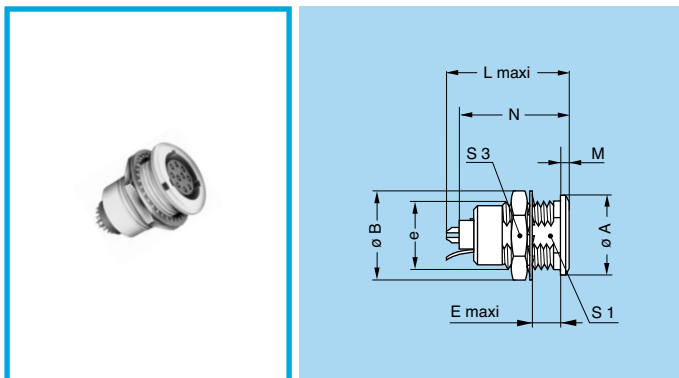


Reference		Dimensions (mm)								
Model	Series	A	B	e	E	L	M	N <sup>1)</sup>	S1	S3
ENG	0B	11	12.5	M9x0.6	6.4	20.7	1.8	16.5	8.2	11
ENG	1B	14	15.8	M12x1.0	7.5	23.0	1.5	21.1	10.5	14
ENG	3B	22	25.0	M18x1.0	11.5	30.7	2.0	28.1	16.5	22
ENG	4B	28	34.0	M25x1.0	12.0	35.7	2.5	32.6	23.5	30

**P1** Panel cut-out (page 157)

**Note:** <sup>1)</sup> maximum length with crimp contacts.

### ENY Fixed socket with earthing tag, nut fixing, keys (Y), PSU or PPSU outer shell

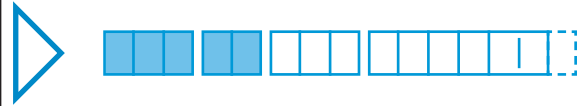


Reference		Dimensions (mm)								
Model	Series	A	B	e	E	L	M	N <sup>1)</sup>	S1	S3
ENY	2B	18	19.2	M15x1.0	8.5	26.7	1.8	24.6	13.5	17
ENY	3B	22	25.0	M18x1.0	11.5	30.7	2.0	28.1	16.5	22
ENY	4B	28	34.0	M25x1.0	12.0	35.7	2.5	32.6	23.5	30

**P1** Panel cut-out (page 157)

**Note:** <sup>1)</sup> maximum length with crimp contacts.

Other models with plastic outer shell are available on request.



## Watertight or vacuumtight models

These plug, socket and coupler models allow the device on which they are fitted to reach a protection index of IP68 as per IEC 60529. They are fully compatible with plugs of the same series and are widely used for portable radios, military, laboratory equipment, aviation, etc.

These models are identified by a letter «P» at the end of the reference.

Most of these models are also available in a vacuumtight version. Such models are identified by an additional letter «V» at the end of the part number (certificate on request).

Epoxy resin is used to seal these models.

## Technical Characteristics

### Mechanical and Climatical

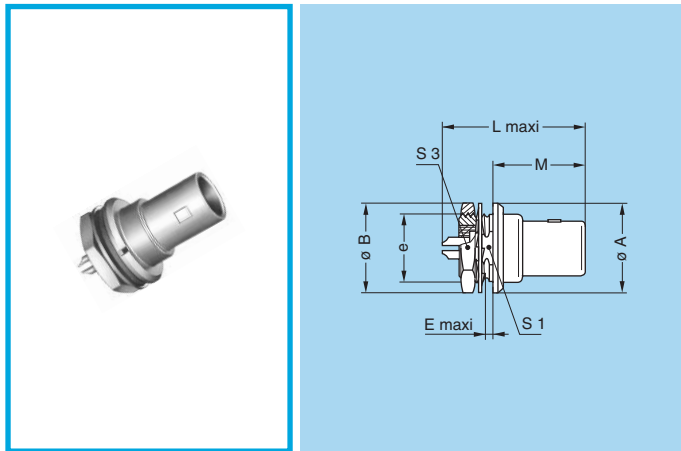
Characteristics	Value	Standard
Endurance <sup>1)</sup>	> 5000 cycles	IEC 60512-5 test 9a
Humidity	up to 95% at 60° C	
Temperature range	00 to 1B	- 20° C/+ 100° C
	2B to 5B	- 20° C/+ 80° C
Salt spray corrosion test	> 1000h	IEC 60512-6 test 11f
Climatical category	20/80/21	IEC 60068-1
Leakage rate (He) <sup>2)</sup>	< 10 <sup>-7</sup> mbar.l.s <sup>-1</sup>	IEC 60512-7 test 14b

Characteristics	Value	Standard	
Maximum operating pressure <sup>3)</sup>	00	60 bar	IEC 60512-7 test 14d
	0B	60 bar	IEC 60512-7 test 14d
	1B	60 bar	IEC 60512-7 test 14d
	2B	40 bar	IEC 60512-7 test 14d
	3B	30 bar	IEC 60512-7 test 14d
	4B	15 bar	IEC 60512-7 test 14d
	5B	5 bar	IEC 60512-7 test 14d

**Note:** 1) see page 189, contact resistance after mating cycles. See page 185, mechanical endurance latching force. 2) only for vacuumtight models.

3) this value corresponds to the maximum allowed pressure difference for the assembled socket.

### YHG Fixed plug, nut fixing, non-latching, key (G) or keys (A...M)



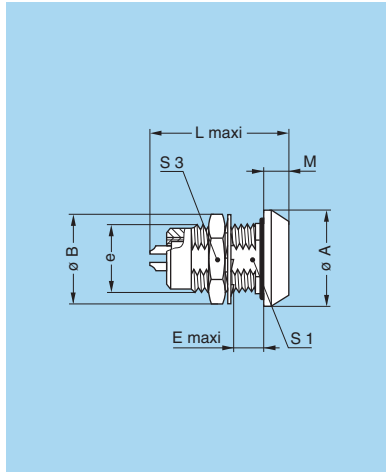
Reference		Dimensions (mm)							
Model	Series	A	B	e	E	L	M	S1	S3
YHG	0B	13	12.4	M9x0.6	2.4	24.1	14.2	8.2	11
YHG	1B	16	15.8	M12x1.0	3.9	28.0	16.2	10.5	14
YHG	2B	19	19.2	M15x1.0	5.5	33.1	17.8	13.5	17
YHG	3B	22	25.0	M18x1.0	5.1	38.2	22.2	16.5	22

**P9** Panel cut-out (page 157)

**Note:** this model does not include an O-ring behind the flange, it ensures only IP61 protection index. Consequently, it is not vacuumtight. Watertightness (when mated) is only ensured with HHG and HCG sockets.



### HGG Fixed socket, nut fixing, key (G) or keys (A...M and R), watertight or vacuumtight

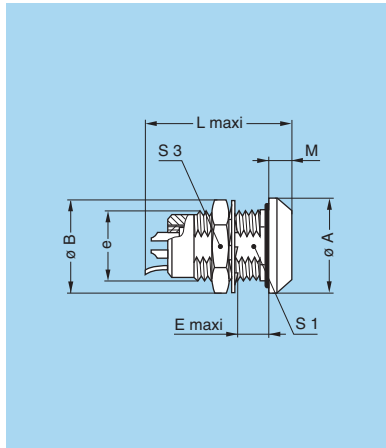


Reference		Dimensions (mm)							
Model	Series	A	B	e	E	L	M	S1	S3
HGG	00	11	10.2	M7x0.5	8.0	18.0	1.5	–	9
HGG	0B	13	12.4	M9x0.6	7.0	21.5	3.0	8.2	11
HGG	1B	18	15.8	M12x1.0	7.0	26.6	4.5	10.5	14
HGG	2B	20	19.2	M15x1.0	8.0	31.6	4.0	13.5	17
HGG	3B	25	25.0	M18x1.0	11.5	36.1	4.0	16.5	22
HGG	4B	34	34.0	M25x1.0	11.0	43.1	4.0	23.5	30
HGG	5B	45	40.0	M35x1.0	11.0	53.6	5.0	33.5	–

**P9** Panel cut-out (page 157)

**Note:** the 5B series is delivered with a tapered washer and a round nut.

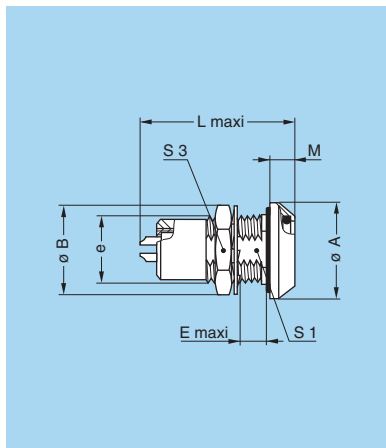
### HNG Fixed socket, nut fixing, with earthing tag, key (G) or keys (A...M), watertight or vacuumtight



Reference		Dimensions (mm)							
Model	Series	A	B	e	E	L	M	S1	S3
HNG	0B	13	12.4	M9x0.6	7	21.5	3	8.2	11

**P9** Panel cut-out (page 157)

### HHG Fixed socket, nut fixing, key (G) or keys (A...M), watertight or vacuumtight (watertight when mated)



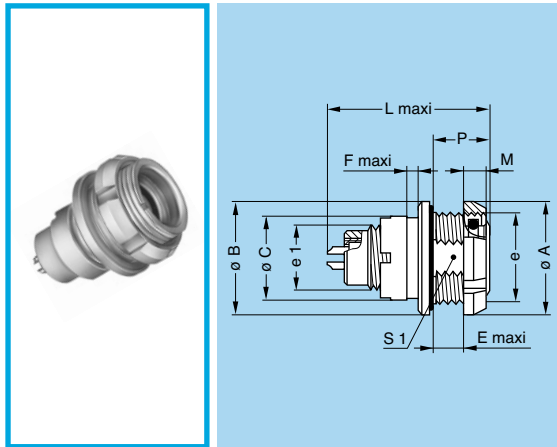
Reference		Dimensions (mm)							
Model	Series	A	B	e	E	L	M	S1	S3
HHG	0B	13	12.4	M9x0.6	7.0	24.5	4.8	8.2	11
HHG	1B	18	15.8	M12x1.0	7.0	30.3	5.2	10.5	14
HHG	2B	22	19.2	M15x1.0	8.0	35.6	6.0	13.5	17
HHG	3B	25	25.0	M18x1.0	11.5	41.3	7.2	16.5	22

**P9** Panel cut-out (page 157)

**Note:** this model ensures watertightness (IP66) in the mating area when mated with FGJ or similar plug.



### HCG Fixed socket, nut fixing, key (G) or keys (A...M), watertight or vacuumtight (watertight when mated) (back panel mounting)

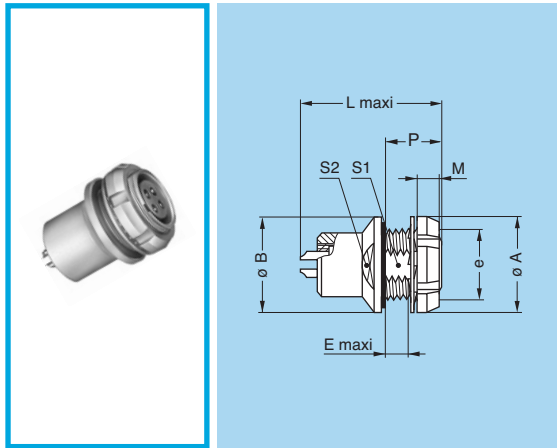


Reference		Dimensions (mm)										
Model	Series	A	B	C	e	e1	E	F	L	M	P	S1
HCG	0B	18	18	12.0	M14x1.0	M9x0.6	3.9	1.0	24.5	3.5	7.5	12.5
HCG	1B	20	20	14.5	M16x1.0	M12x1.0	6.2	2.0	30.3	3.5	10.0	14.5
HCG	2B	24	24	17.5	M19x1.0	M14x1.0	6.7	1.5	35.6	3.5	11.3	17.0

**P3** Panel cut-out (page 157)

**Note:** this model ensures watertightness (IP66) in the mating area when mated with FGG or similar plug.

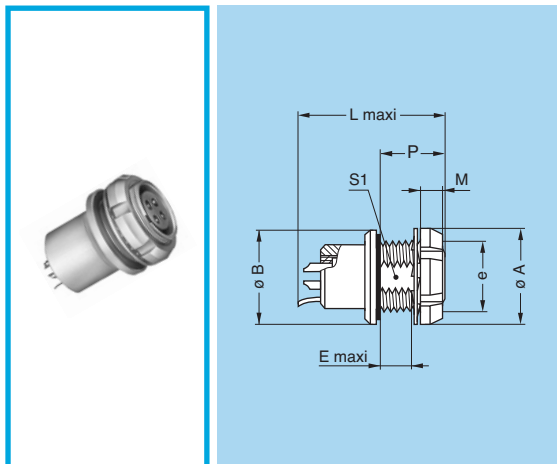
### HEG Fixed socket, nut fixing, key (G) or keys (A...M), watertight or vacuumtight (back panel mounting)



Reference		Dimensions (mm)									
Model	Series	A	B	e	E	L	M	P	S1	S2	
HEG	00	10	11	M7x0.5	2.5	18.2	2.5	6.0	6.3	–	
HEG	0B	12	13	M9x0.6	5.5	21.5	2.5	9.0	8.2	–	
HEG	1B	16	18	M12x1.0	6.5	26.6	3.5	11.0	10.5	–	
HEG	2B	20	20	M15x1.0	5.0	31.6	3.5	9.6	13.5	15	

**P9** Panel cut-out (page 157)

### HMG Fixed socket with earthing tag, nut fixing, key (G) or keys (A...M), watertight or vacuumtight (back panel mounting)



Reference		Dimensions (mm)								
Model	Series	A	B	e	E	L	M	P	S1	
HMG	00	10	11	M7x0.5	2.5	18.0	2.5	6.0	6.3	
HMG	0B	12	13	M9x0.6	5.5	21.5	2.5	9.0	8.2	
HMG	1B	16	18	M12x1.0	5.5	26.6	3.5	11.0	10.5	
HMG	2B <sup>1)</sup>	20	20	M15x1.0	5.5	31.6	3.5	9.6	13.5	
HMG	3B	24	25	M18x1.0	7.5	36.1	4.5	14.0	16.5	

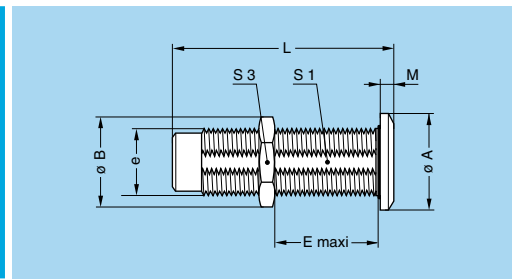
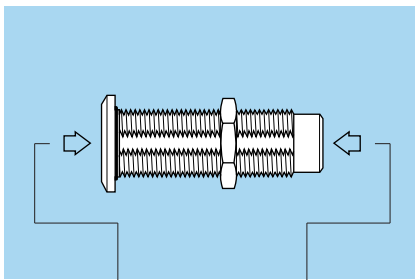
**P9** Panel cut-out (page 157)

**Note:** <sup>1)</sup> the surface design of the 2B series is different.

**Note:** The 3B series is delivered with a conical nut and without washer.



**S●● Fixed coupler, nut fixing, key (G) or keys (A, B, J, K and L) at the flange end and key (G) or keys (A, B, J, K and L) at the other end, watertight or vacuumtight**



G	SGJ	J
J	SJG	G
K	SKA	A
L	SLB	B
A	SAK	K
B	SBL	L

Example

Plug with key G      SGJ      Plug with key J

Alignment key see page 36.

Reference		Contacts Type	Dimensions (mm)							
Model	Series		A	B	e	E	L	M	S1	S3
SGJ	0B	female – male	14	13.8	M10x0.75	17	34	2.0	9.0	12
SJG	0B	male – female	14	13.8	M10x0.75	17	34	2.0	9.0	12
SGJ	1B	female – male	17	15.8	M12x1.00	28	39	2.5	10.5	14
SJG	1B	male – female	17	15.8	M12x1.00	28	39	2.5	10.5	14
SGJ	2B	female – male	20	21.5	M16x1.00	25	44	4.0	15.0	19
SJG	2B	male – female	20	21.5	M16x1.00	25	44	4.0	15.0	19
SGJ	3B	female – male	25	27.0	M20x1.00	30	53	4.0	18.5	24
SJG	3B	male – female	25	27.0	M20x1.00	30	53	4.0	18.5	24
SAK	3B	female – male	25	27.0	M20x1.00	30	53	4.0	18.5	24
SBL	3B	female – male	25	27.0	M20x1.00	30	53	4.0	18.5	24
SAK	4B	female – male	34	34.0	M25x1.00	50	65	4.0	23.5	30
SBL	4B	female – male	34	34.0	M25x1.00	50	65	4.0	23.5	30
SGJ	4B	female – male	34	34.0	M25x1.00	50	65	4.0	23.5	30
SJG	4B	male – female	34	34.0	M25x1.00	50	65	4.0	23.5	30
SGJ	5B	female – male	45	40.0	M35x1.00	58	80	5.0	33.5	–
SJG	5B	male – female	45	40.0	M35x1.00	58	80	5.0	33.5	–
SKA	5B	male – female	45	40.0	M35x1.00	58	80	5.0	33.5	–
SLB	5B	male – female	45	40.0	M35x1.00	58	80	5.0	33.5	–
SAK	5B	female – male	45	40.0	M35x1.00	58	80	5.0	33.5	–
SBL	5B	female – male	45	40.0	M35x1.00	58	80	5.0	33.5	–

**P4** Panel cut-out (page 157)

**P9** Panel cut-out 1B series (page 157)

**Note:** The 5B series is delivered with a round nut.

**Note:** for this fixed coupler, the first contact type mentioned is always the one at the flange end. On request these couplers can be produced in other series, with other keys.

# Bridge models

## Technical Characteristics

### Mechanical and Climatical

Characteristics	Value	Standard
Endurance <sup>1)</sup>	> 1000 cycles	IEC 60512-5 test 9a
Working temperature	maximum 90° C	

**Note:** <sup>1)</sup> see page 189, contact resistance after mating cycles. See page 185, mechanical endurance latching force.

### Materials and Treatment

Component	Material	Surface treat. (µm)			
		Cu	Ni	Cr	Au
Plastic housing	Polyamide	-			
Metallic parts	Brass	0.5	3	-	-
	Brass	0.5	3	0.3	-
Insulator	PEEK	-			
Male contact	Brass	0.5	3	-	1.0
Female contact	Bronze	0.5	3	-	1.5

**Note:** the surface treatment standards are as follows:  
 - Nickel: SAE AMS QQ N 290, chrome: SAE AMS 2460, gold: ISO 27874

**Note:** the last letter of the part number indicates the colour of the housing. Ex. G (standard) is grey. To obtain another colour, replace this letter by the letter corresponding to the selected colour (see table on page 72).

### Electrical

Characteristics	Value	Standard
Contact resistance	< 6 mΩ	IEC 60512-2 test 2a

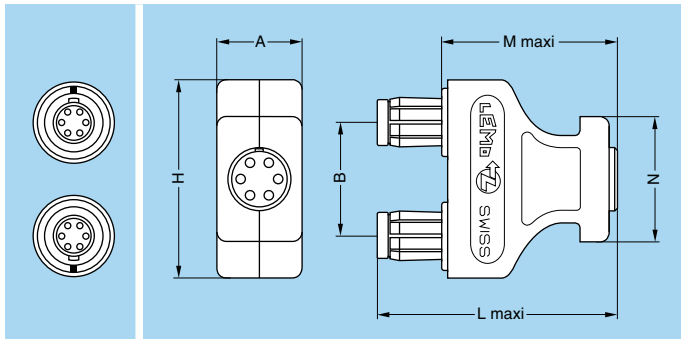
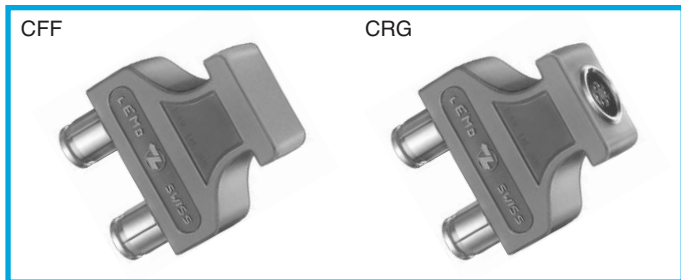
Part number	Series	Audio-Mono	Audio-Stereo	Test voltage (kV rms) <sup>1)2)</sup>	Rated current (A)
<b>CFF.0B.302.PLCG</b>	0B	●	-	1.05	4
<b>CRG.0B.302.PLEG</b>	0B	●	-	1.05	4
<b>CFF.0B.303.PLCG</b>	0B	●	-	0.80	4
<b>CRG.0B.303.PLEG</b>	0B	●	-	0.80	4
<b>CRG.0B.306.PLEG</b>	0B	-	●	0.40	2
<b>CFF.1B.303.PLCG</b>	1B	●	-	1.25	5
<b>CRG.1B.303.PLEG</b>	1B	●	-	1.25	5
<b>CFF.1B.306.PLCG</b>	1B	-	●	0.80	3
<b>CRG.1B.306.PLEG</b>	1B	-	●	0.80	3

**Note:**

<sup>1)</sup> see calculation method, caution and suggested standard on page 190.  
<sup>2)</sup> lowest measured value; contact to contact or contact to shell.

### CFF Bridge plug with two non-latching plugs

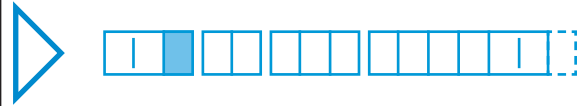
### CRG Bridge plug with two non-latching plugs, and monitoring socket, key (G) or keys (A...M)



Model	Series	Dimensions (mm)					
		A	B	H	L	M	N
<b>CFF-CRG</b>	<b>0B</b>	13.5	14	27.5	37.2	27.2	22.5
<b>CFF-CRG</b>	<b>1B</b>	15.0	20	35.0	42.0	31.0	22.0

**Note:** in order to provide the user with a coding system, the bridge plug housing, the double panel washers and the bend reliefs are available in nine colours.





## Alignment Key (B series)

### Alignment Key and Polarized Keying System

B series connector model part numbers are composed of three letters. The LAST LETTER indicates the key position and the contact type (male or female).

Front view of a socket	Ref.	Nb of keys	Angles	Series			Ref.	Nb of keys	Angles	Series					Contact type		Note
				00	0B	1B				XB	2B	3B	4B	5B	Plug	Socket	
				0°	0°	0°											
	<b>G</b>	1	–	0°	0°	0°	<b>G</b>	1	–	0°	0°	0°	0°	0°	male	female	●
	<b>A</b>	2	$\alpha$	30°	30°	30°	<b>A</b>	2	$\alpha$	30°	30°	30°	30°	30°	male	female	●
	<b>B</b>	2	$\alpha$	60°	60°	60°	<b>B</b>	2	$\alpha$	–	45°	45°	45°	45°	male	female	●
	<b>C</b>	2	$\alpha$	–	90°	90°	<b>C</b>	2	$\alpha$	–	60°	60°	60°	60°	male	female	●
	<b>D</b>	2	$\beta$	–	135°	135°	<b>D</b>	2	$\gamma$	–	95°	95°	95°	95°	male	female	○
	<b>E</b>	2	$\beta$	–	145°	145°	<b>E</b>	2	$\beta$	120°	120°	120°	120°	120°	male	female	○
	<b>F</b>	2	$\beta$	–	155°	155°	<b>F</b>	2	$\beta$	–	145°	145°	145°	145°	male	female	○
	<b>J</b>	2	$\gamma$	45°	45°	45°	<b>J</b>	2	$\alpha$	–	37.5°	37.5°	37.5°	37.5°	female	male	●
	<b>K</b>	2	$\gamma$	–	70°	70°	<b>K</b>	2	$\alpha$	–	52.5°	52.5°	52.5°	52.5°	female	male	○
	<b>L</b>	2	$\gamma$	–	80°	80°	<b>L</b>	2	$\gamma$	–	70°	70°	70°	70°	female	male	○
	<b>M</b>	2	$\delta$	–	110°	–	<b>M</b>	2	–	–	–	–	–	–	female	male	○
	<b>Y</b>	3	–	–	–	–	<b>Y</b>	3	$\beta$	–	112.5°	126°	112.5°	–	male	female	● <sup>1)</sup>
		3	–	–	–	<b>Y</b>	3	$\gamma$	–	100°	102°	147.5°	–	male	female	● <sup>1)</sup>	

Front view of a socket	Ref.	Nb of keys	Angles	Series			Ref.	Nb of keys	Angles	Series					Contact type		Note
				00	0B	1B				XB	2B	3B	4B	5B	Plug	Socket	
				–	–	–											
	<b>R</b>	5	$\alpha$	–	–	–	<b>R</b>	5	$\alpha$	–	–	–	–	95°	male	female	●
		5	$\beta$	–	–	–		5	$\beta$	–	–	–	–	115°	male	female	●
		5	$\gamma$	–	–	–		5	$\gamma$	–	–	–	–	20°	male	female	●
		5	$\delta$	–	–	–		5	$\delta$	–	–	–	–	30°	male	female	●

**Note:** FTG, FGY, ENY models are not available with all the keys. Please consult pages corresponding to these models. For R●● models see explanation on page 24 and for S●● models see explanation on page 33.

**Note:** <sup>1)</sup> only FGY and ENY models are available.

- First choice alternative
- Special order alternative



# K Series

K series connectors have been specifically designed for outdoor applications.

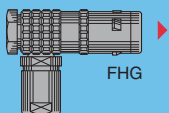
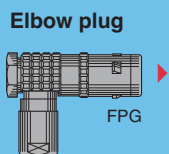
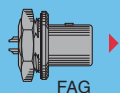
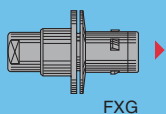
They include an inner sleeve and two seals to prevent penetration of solids or liquids into the housing formed by the plug, free socket, fixed socket or coupler. All models of this series are watertight when mated to give a protection index of IP68 as per IEC 60529 standard (in mated condition) when correctly assembled to an appropriate cable (IP66 otherwise).

K series connectors have the same insulators as the B series and have the following main features:

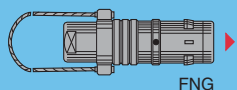
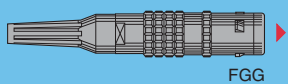
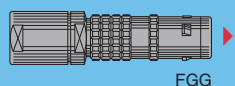
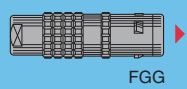
- security of the Push-Pull latching system
- multipole types 2 to 64 contacts
- keying system («G» key standard) for connector alignment
- 360° screening for full EMC shielding
- rugged housing for extreme working conditions.
- watertight connection (IP 68/IP 66)
- solder, crimp or print (straight or elbow) contacts
- multiple key options to avoid cross mating of similar connectors
- high packing density for space savings

## Metal housing models (page 39)

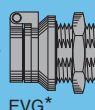
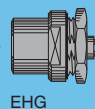
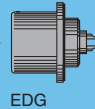
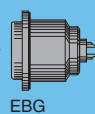
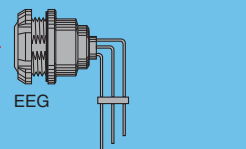
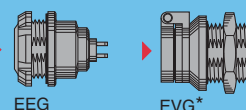
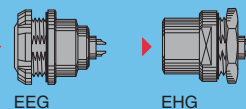
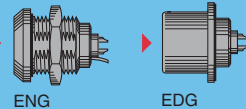
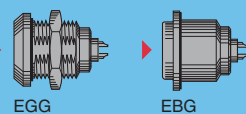
### Fixed plugs



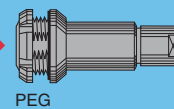
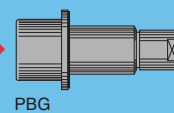
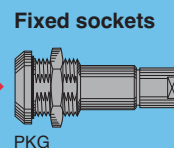
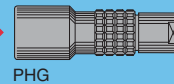
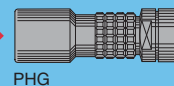
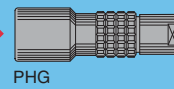
### Straight plugs



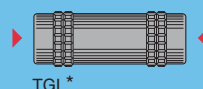
### Fixed sockets



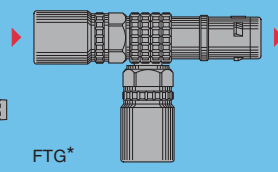
### Free sockets



### Free coupler

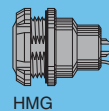
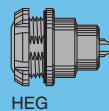
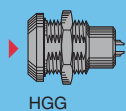


### T-plug with sockets (90°)

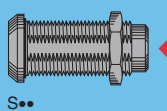


## Watertight or vacuumtight models (page 47)

### Fixed sockets

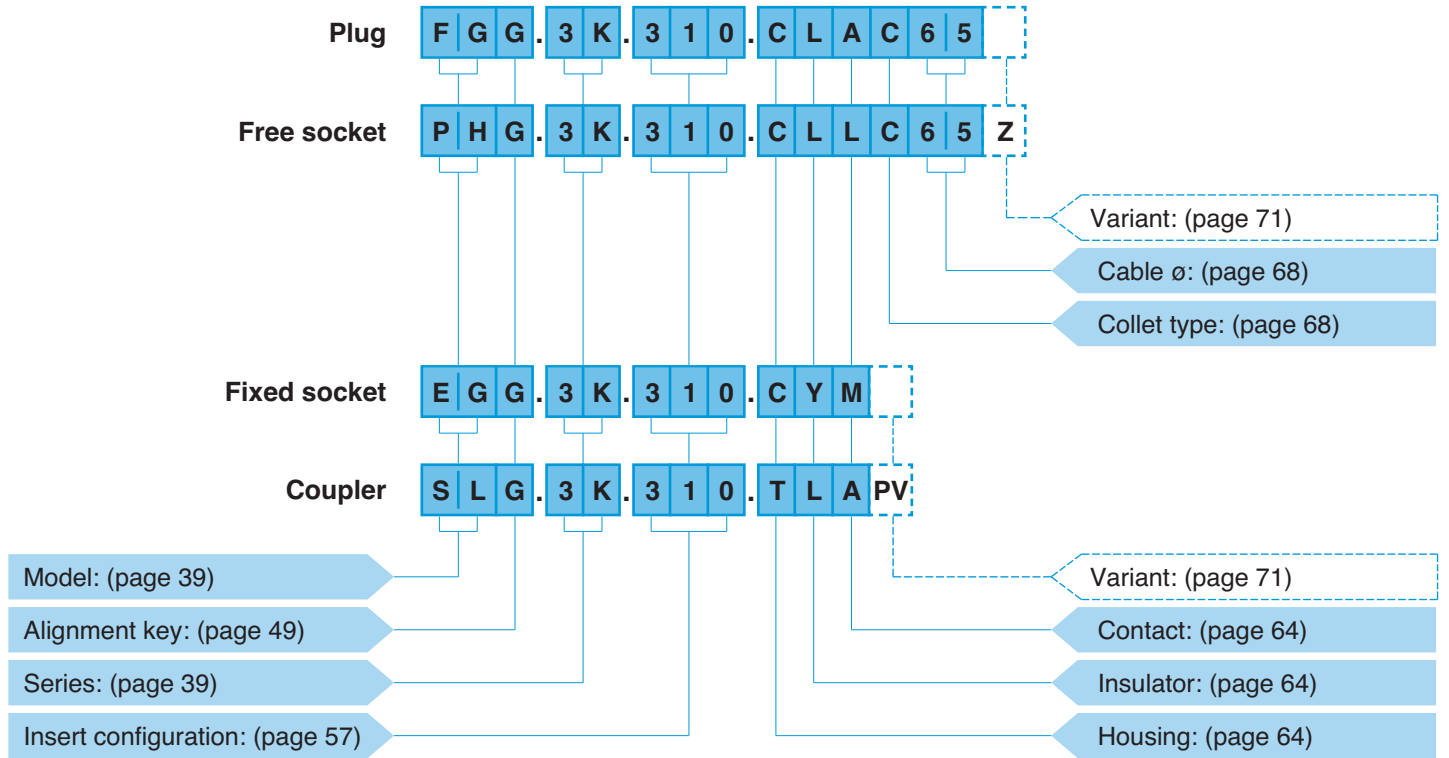


### Fixed coupler



Note: \* Contact LEMO for details.

## Part Numbering System



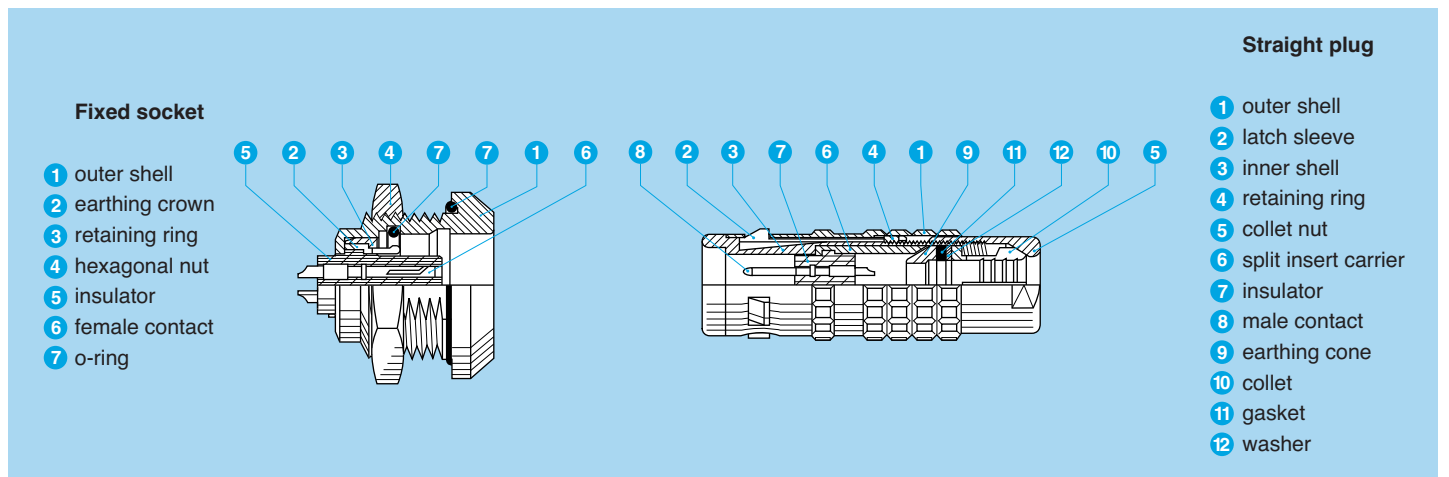
**FGG.3K.310.CLAC65** = straight plug with key (G) and cable collet, 3K series, multipole type with 10 contacts, outer shell in chrome-plated brass, PEEK insulator, male solder contacts, C type collet for 6.5 mm diameter cable.

**PHG.3K.310.CLLC65Z** = free socket with key (G) and cable collet, 3K series, multipole type with 10 contacts, outer shell in chrome-plated brass, PEEK insulator, female solder contacts, C type collet for 6.5 mm diameter cable and nut for fitting a bend relief.

**EGG.3K.310.CYM** = fixed socket, nut fixing, with key (G), 3K series, multipole type with 10 contacts, outer shell in chrome-plated brass, PEEK extended insulator, female crimp contacts.

**SLG.3K.310.TLAPV** = fixed coupler, nut fixing, keys (L) on the flange end and key (G) at the other end, 3K series, multipole type with 10 contacts, outer shell in stainless steel, PEEK insulator, male-female contacts, vacuumtight.

## Part Section Showing Internal Components





## Metal housing models

### Technical Characteristics

#### Mechanical and Climatical

Characteristics	Value	Standard
Endurance <sup>1)</sup>	> 5000 cycles	IEC 60512-5 test 9a
Humidity	up to 95% at 60° C	
Temperature range <sup>2)</sup>	- 55° C, + 200° C	
Resistance to vibrations	10-2000 Hz, 15g	IEC 60512-4 test 6d
Shock resistance	100 g, 6 ms	IEC 60512-4 test 6c
Salt spray corrosion test	> 1000h	IEC 60512-6 test 11f
Protection index (mated) <sup>3)</sup>	IP 68/IP 66	IEC 60529
Climatical category	50/175/21	IEC 60068-1

#### Electrical

Characteristics	Value	Standard	
Shielding efficiency	at 10 MHz	> 95 dB	IEC 60169-1-3
	at 1 GHz	> 80 dB	IEC 60169-1-3

#### Note:

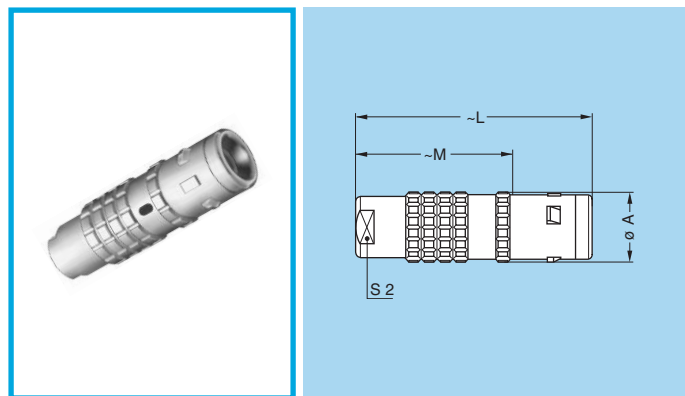
the various tests have been carried out with FGG and EGG connector pairs, with chrome-plated brass shell, PEEK insulator and silicone O-ring. Detailed electrical characteristics, as well as materials and treatment are presented in the chapter Technical Characteristics on page 182.

<sup>1)</sup> see page 189, contact resistance after mating cycles. See page 185, mechanical endurance latching force.

<sup>2)</sup> minimum operating temperature is -20°C for sockets fitted with an FPM (Viton®) O-ring.

<sup>3)</sup> IP68 achieved providing that the cable is perfectly circular and that assembly process ensures a high integrity seal.

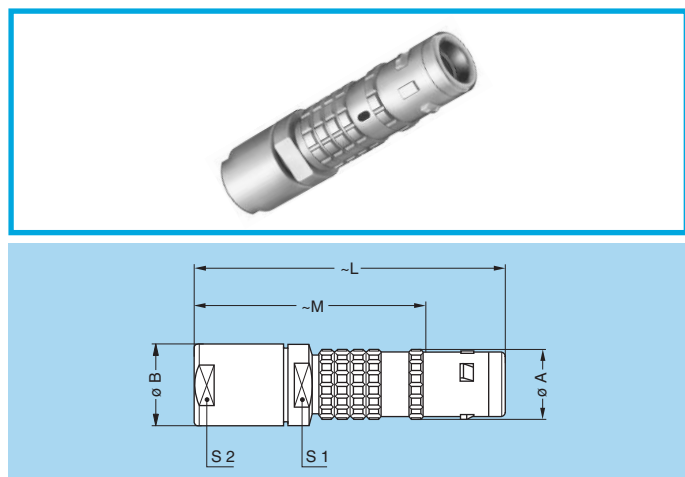
#### FGG Straight plug, key (G) or keys (A to F, L and R), cable collet



Reference		Dimensions (mm)			
Model	Series	A	L	M	S2
FGG	0K	11	34	23.0	8
FGG	1K	13	42	28.0	9
FGG	2K	16	52	36.0	12
FGG	3K	19	61	41.0	15
FGG	4K	25	71	50.5	19
FGG	5K	38	92	67.0	30

**M1** Cable assembly (page 172)

#### FGG Straight plug, key (G) or keys (A to F, L and R), cable collet and oversize cable collet <sup>1)</sup>

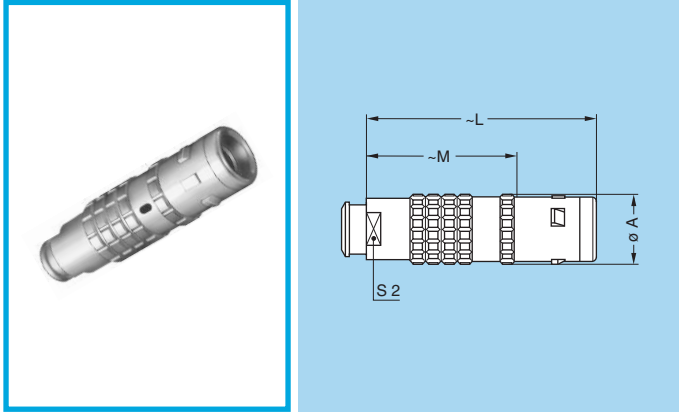


Reference		Dimensions (mm)					
Model	Series	A	B	L	M	S1	S2
FGG	1K	13	14.5	60.0	46	12	12
FGG	2K	16	17.0	68.0	52	15	15
FGG	3K	19	22.0	85.0	65	19	19
FGG	4K	25	36.0	119.5	99	30	32

**M2** Cable assembly (page 173)

**Note:** <sup>1)</sup> correspond to K type of collet, the fitting of oversize collets onto this model allows them to be fitted to the cables that can be accommodated by the next housing size up (see page 68).

### FGG Straight plug, key (G) or keys (A to F, L and R), cable collet and nut for fitting a bend relief <sup>1)</sup>

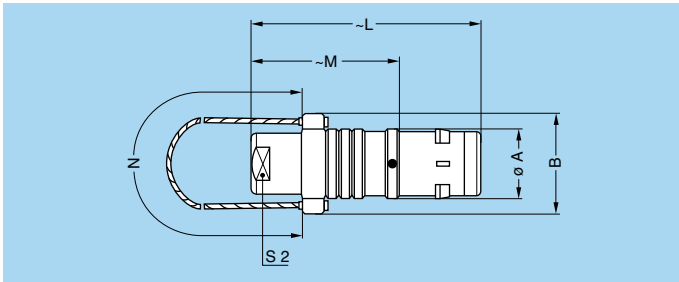
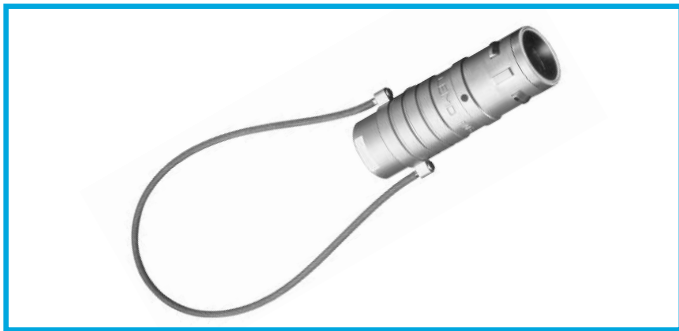


Reference		Dimensions (mm)			
Model	Series	A	L	M	S2
FGG	0K	11	34	23.0	7
FGG	1K	13	42	28.0	9
FGG	2K	16	52	36.0	12
FGG	3K	19	60	40.0	15
FGG	4K	25	71	50.5	19

**M1** Cable assembly (page 172)

**Note:** <sup>1)</sup> to order, add a «Z» at the end of the reference. The bend relief must be ordered separately (see page 145).

### FNG Straight plug, key (G) or keys (A to F and L), cable collet and lanyard release

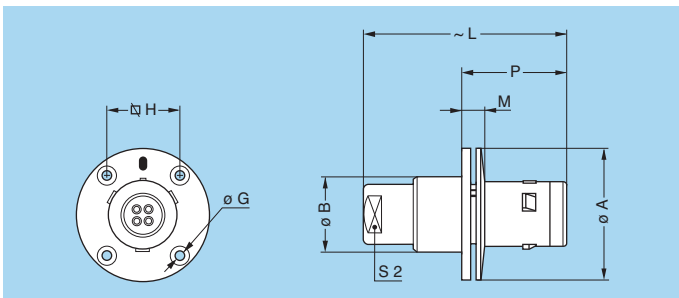
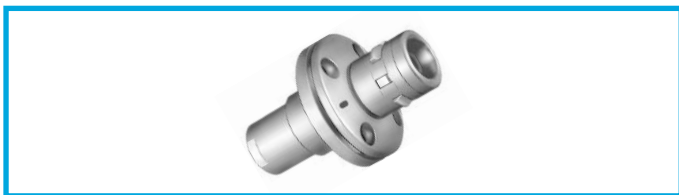


Reference		Dimensions (mm)					
Model	Series	A	B	L	M	N	S2
FNG	2K	16	22	52	36.0	160	12
FNG	4K	25	32	71	50.5	230	19

**M1** Cable assembly (page 172)

**Note:** cable material: stainless steel with Polyamide sheath

### FXG Fixed plug with round flange, key (G) or keys (A to F, L and R) and screw fixing



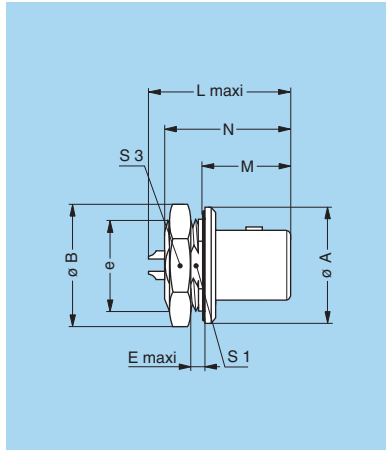
Reference		Dimensions (mm)							
Model	Series	A	B	G	H	L	M	P	S2
FXG	3K	38	22.5	3.4	20.6	61	10.0	30.0	15
FXG	4K	47	28.5	3.4	27.0	71	11.0	32.0	19
FXG	5K	65	42.5	4.4	38.0	100	12.5	38.5	30

**P6** Panel cut-out (page 159)

**Note:** this model does not include an O-ring behind the flange, it allows the device on which it is fitted to reach only IP50 protection index. It does not have a cable collet.



### FAG Fixed plug, nut fixing, non-latching, key (G) or keys (A to F, L and R)



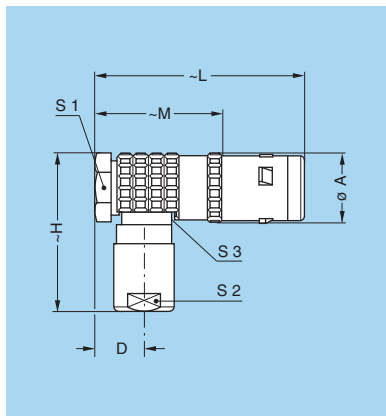
Reference		Dimensions (mm)								
Model	Series	A	B	e	E	L	M	N <sup>1)</sup>	S1	S3
FAG	1K	20	21.5	M16x1.0	2.3	22.6	16.0	22.5	14.5	19
FAG	2K	25	27.0	M20x1.0	4.5	33.6	18.0	28.3	18.5	24
FAG	3K	31	34.0	M24x1.0	4.0	34.3	22.5	33.8	22.5	30
FAG	4K	37	40.5	M30x1.0	4.0	35.3	23.0	36.3	28.5	36
FAG	5K	55	54.0	M45x1.5	4.0	43.5	28.5	42.3	42.5	–

**P1** Panel cut-out (page 159)

**Note:** The 1K series is delivered with a locking washer.  
The 5K series is delivered with a round nut.

**Note:** <sup>1)</sup> maximum length with crimp contacts.

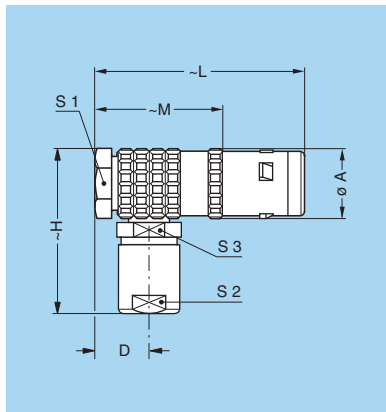
### FPG Elbow (90°) plug, key (G) or keys (A to F, L and R), cable collet



Reference		Dimensions (mm)							
Model	Series	A	D	H	L	M	S1	S2	S3
FPG	0K	11	7.3	25	36	25	9	8	8
FPG	1K	13	8.7	33	42	28	11	9	10
FPG	2K	16	10.2	40	51	35	14	12	13

**M3** Cable assembly (page 172)

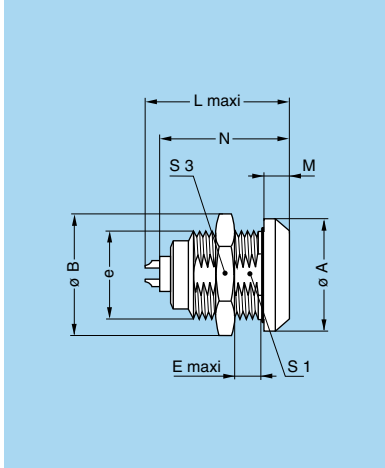
### FHG Elbow (90°) plug, key (G) or keys (A to F, L and R), cable collet



Reference		Dimensions (mm)							
Model	Series	A	D	H	L	M	S1	S2	S3
FHG	3K	21.0	11.5	47	60	40.0	18	15	15
FHG	4K	27.5	15.5	57	72	51.5	24	19	20

**M3** Cable assembly (page 172)

### EGG Fixed socket, nut fixing, key (G) or keys (A to F, L and R)



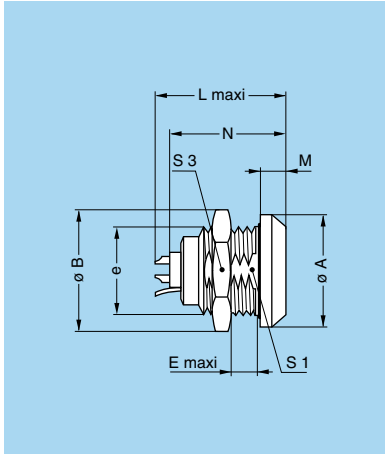
Reference		Dimensions (mm)								
Model	Series	A	B	e	E	L	M	N <sup>1)</sup>	S1	S3
EGG	0K	18	19.2	M14x1.0	6	21.7	4.0	20.1	12.5	17
EGG	1K	20	21.5	M16x1.0	9	27.0	4.5	25.1	14.5	19
EGG	2K	25	27.0	M20x1.0	9	30.7	5.0	28.6	18.5	24
EGG	3K	31	34.0	M24x1.0	11	36.2	6.0	33.6	22.5	30
EGG	4K	37	40.5	M30x1.0	9	40.2	6.5	38.6	28.5	36
EGG	5K	55	54.0	M45x1.5	10	47.5	9.0	43.6	42.5	–

**P1** Panel cut-out (page 159)

**Note:** The 5K series is delivered with a round nut.

**Note:** <sup>1)</sup> maximum length with crimp contacts.

### ENG Fixed socket, nut fixing, key (G) or keys (A to F, L and R) and earthing tag

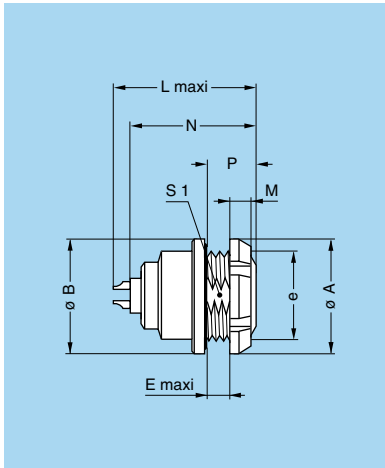


Reference		Dimensions (mm)								
Model	Series	A	B	e	E	L	M	N <sup>1)</sup>	S1	S3
ENG	3K	31	34	M24x1.0	11.3	36.2	6	33.6	22.5	30

**P1** Panel cut-out (page 159)

**Note:** <sup>1)</sup> maximum length with crimp contacts.

### EEG Fixed socket, nut fixing, key (G) or keys (A to F, L and R) (back panel mounting)



Reference		Dimensions (mm)								
Model	Series	A	B	e	E	L	M	N <sup>1)</sup>	P	S1
EEG	0K	18.0	18	M14x1.0	3.4	21.7	3.5	20.1	7.0	12.5
EEG	1K	20.0	20	M16x1.0	6.2	27.0	3.5	25.1	10.0	14.5
EEG	2K	25.0	25	M20x1.0	5.0	30.7	3.5	28.6	10.0	18.5
EEG	3K	30.0	31	M24x1.0	7.5	36.2	4.5	33.6	12.0	22.5
EEG	4K	41.5	37	M30x1.0	6.0	40.2	7.0	38.6	13.5	28.5

**P1** Panel cut-out (page 159)

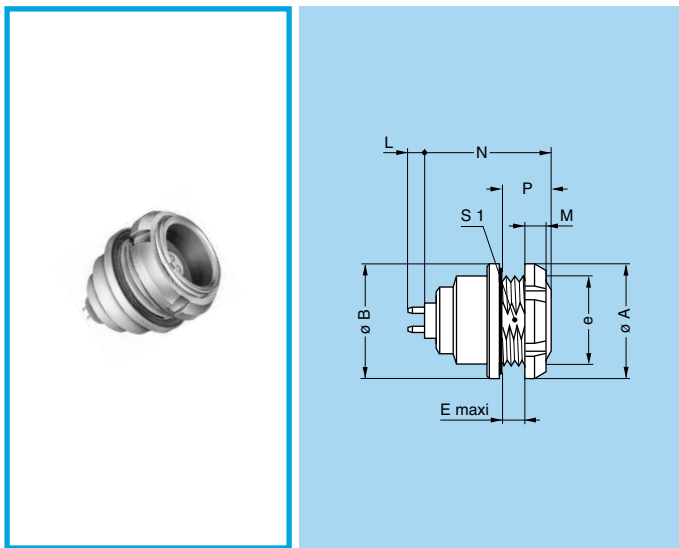
**Note:** The 3K and 4K series are delivered with a conical nut.

**Note:** <sup>1)</sup> maximum length with crimp contacts.





**EEG** Fixed socket, nut fixing, key (G) or keys (A to F and R) with straight print contacts for printed circuit (back panel mounting)



Reference		Dimensions (mm)								
Model	Series	A	B	e	E	M	N	P	S1	
EEG	0K	18.0	18	M14x1.0	3.4	3.5	17.6	7.0	12.5	
EEG	1K	20.0	20	M16x1.0	6.2	3.5	23.8	10.0	14.5	
EEG	2K	25.0	25	M20x1.0	5.0	3.5	25.8	10.0	18.5	
EEG	3K	30.0	31	M24x1.0	7.5	4.5	31.3	12.0	22.5	
EEG	4K	41.5	37	M30x1.0	6.0	7.0	34.3	13.5	28.5	

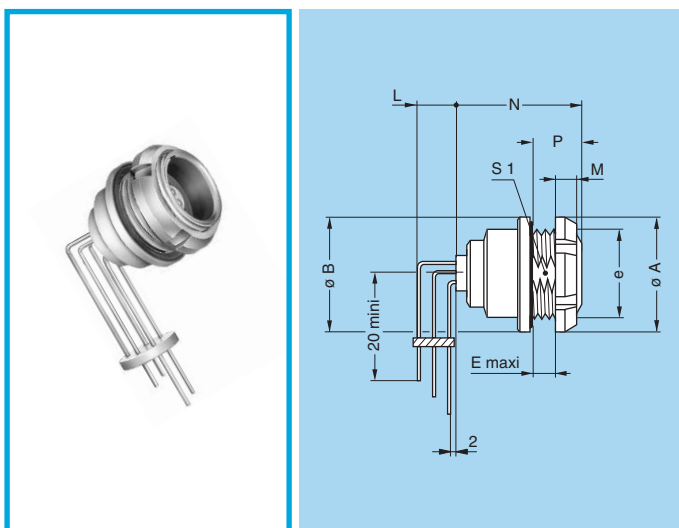
**P1** Panel cut-out (page 159)

**P15** PCB drilling pattern (page 160)

**Note:** The 3K and 4K series are delivered with a conical nut.

**Note:** this contact type is available for E● socket models fitted with female contact.  
Length «L» depends on the number of contacts, see table page 163.

**EEG** Fixed socket, nut fixing, key (G) or keys (A to F and R) with elbow (90°) contacts for printed circuit (back panel mounting)



Reference		Dimensions (mm)								
Model	Series	A	B	e	E	M	N	P	S1	
EEG	0K	18	18	M14x1.0	3.4	3.5	19.3	7	12.5	
EEG	1K	20	20	M16x1.0	6.2	3.5	24.3	10	14.5	
EEG	2K	25	25	M20x1.0	5.0	3.5	26.6	10	18.5	
EEG	3K	30	31	M24x1.0	7.5	4.5	31.3	12	22.5	

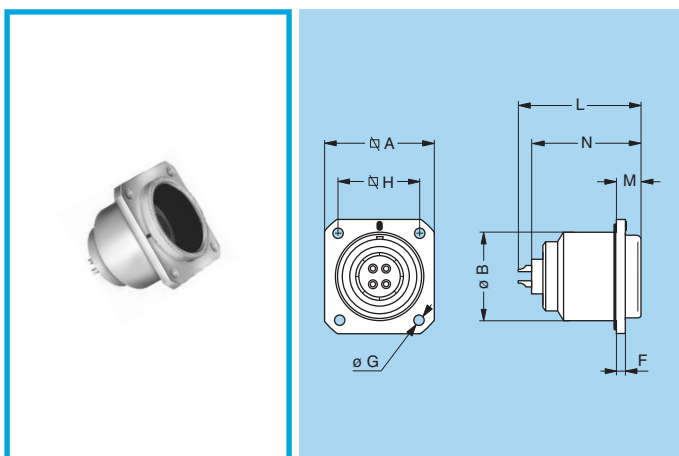
**P1** Panel cut-out (page 159)

**P17** PCB drilling pattern (page 164)

**Note:** length «L» depends on the number of contacts, see PCB drilling pattern page 164.

**Note:** The 3K series is delivered with a conical nut.

**EBG** Fixed socket with square flange, key (G) or keys (A to F, L and R) and screw fixing

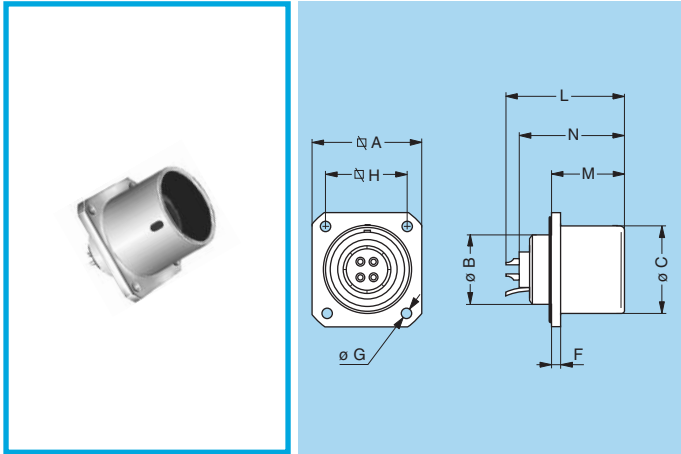


Reference		Dimensions (mm)								
Model	Series	A	B	F	G	H	L	M	N <sup>1)</sup>	
EBG	3K	29	23	3	3.4	23	36.2	6.0	32.6	
EBG	4K	37	30	3	3.4	29	40.2	6.5	36.6	
EBG	5K	54	45	4	4.4	44	47.5	8.0	42.1	

**P7** Panel cut-out (page 159)

**Note:** <sup>1)</sup> maximum length with crimp contacts.

**EDG** Fixed socket with square flange, key (G) or keys (A to F, L and R), protruding shell and earthing tag, screw fixing

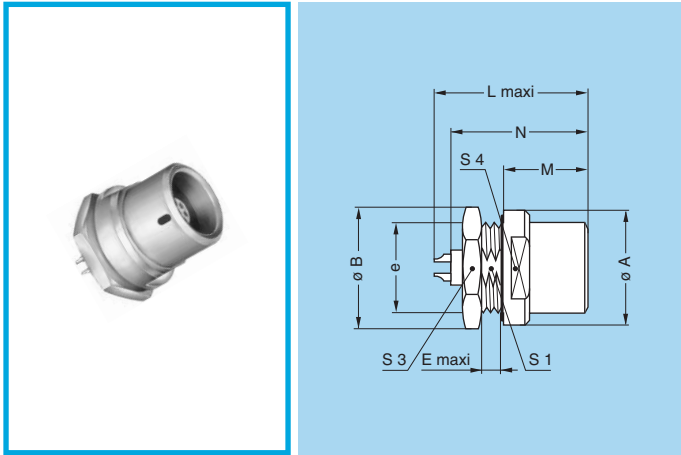


Reference		Dimensions (mm)								
Model	Series	A	B	C	F	G	H	L	M	N <sup>1)</sup>
<b>EDG</b>	<b>3K</b>	29	18	23	3	3.4	23	36.2	22.5	32.6

**P7** Panel cut-out (page 159)

**Note:** <sup>1)</sup> maximum length with crimp contacts.

**EHG** Fixed socket, nut fixing, key (G) or keys (A to F and L), protruding shell

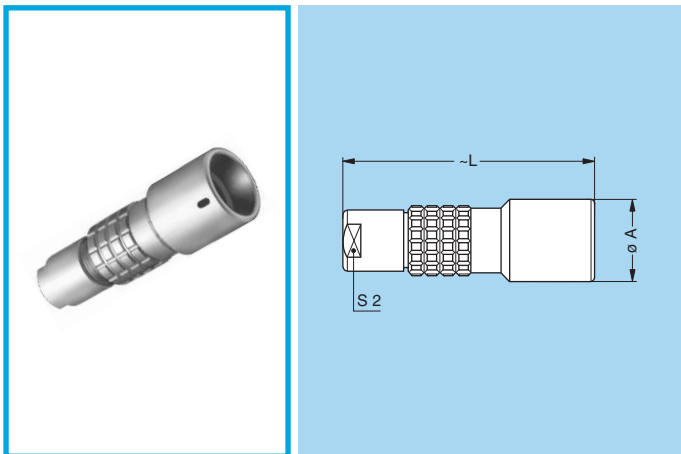


Reference		Dimensions (mm)									
Model	Series	A	B	e	E	L	M	N <sup>1)</sup>	S1	S3	S4
<b>EHG</b>	<b>0K</b>	18	19.2	M14x1.0	1.5	21.7	10.5	20.1	12.5	17	15
<b>EHG</b>	<b>1K</b>	20	21.5	M16x1.0	1.5	27.0	15.5	25.1	14.5	19	17
<b>EHG</b>	<b>2K</b>	25	27.0	M20x1.0	1.5	30.7	17.0	27.1	18.5	24	20

**P1** Panel cut-out (page 159)

**Note:** <sup>1)</sup> maximum length with crimp contacts.

**PHG** Free socket, key (G) or keys (A to F, L and R), cable collet

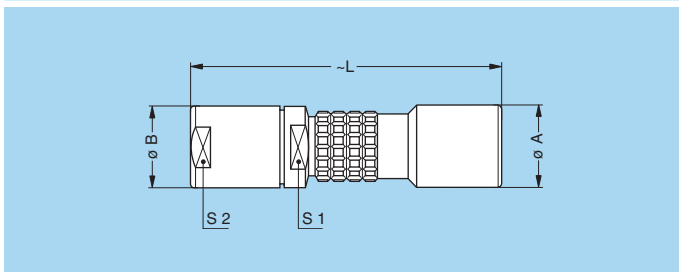


Reference		Dimensions (mm)		
Model	Series	A	L	S2
<b>PHG</b>	<b>0K</b>	13	34.0	8
<b>PHG</b>	<b>1K</b>	15	45.0	9
<b>PHG</b>	<b>2K</b>	19	54.0	12
<b>PHG</b>	<b>3K</b>	23	65.0	15
<b>PHG</b>	<b>4K</b>	29	75.5	19
<b>PHG</b>	<b>5K</b>	42	95.0	30

**M1** Cable assembly (page 172)



### PHG Free socket, key (G) or keys (A to F, L and R), cable collet and oversize cable collet <sup>1)</sup>

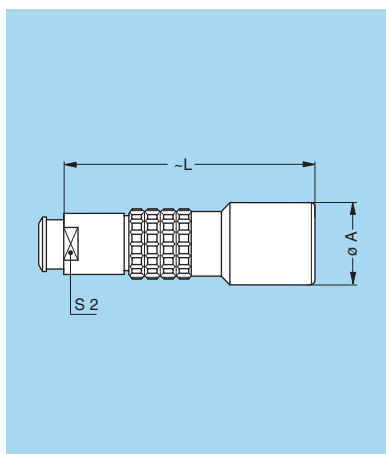


Reference		Dimensions (mm)				
Model	Series	A	B	L	S1	S2
PHG	1K	15	14.5	63	12	12
PHG	2K	19	17.0	70	15	15
PHG	3K	23	22.0	89	19	19
PHG	4K	29	36.0	124	30	32

**M2** Cable assembly (page 173)

**Note:** <sup>1)</sup> correspond to K type of collet, the fitting of oversize collets onto this model allows them to be fitted to the cables that can be accommodated by the next housing size up (see page 68).

### PHG Free socket, key (G) or keys (A to F, L and R), cable collet and nut for fitting a bend relief <sup>1)</sup>

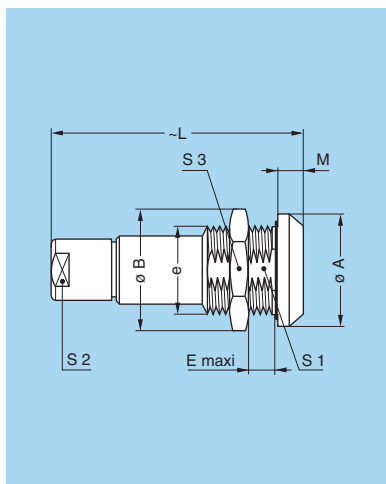


Reference		Dimensions (mm)		
Model	Series	A	L	S2
PHG	0K	13	34.0	7
PHG	1K	15	45.0	9
PHG	2K	19	54.0	12
PHG	3K	23	64.0	15
PHG	4K	29	75.5	19

**M1** Cable assembly (page 172)

**Note:** <sup>1)</sup> to order, add a «Z» at the end of the reference. The bend relief must be ordered separately (see page 145).

### PKG Fixed socket, nut fixing, key (G) or keys (A to F, L and R), cable collet



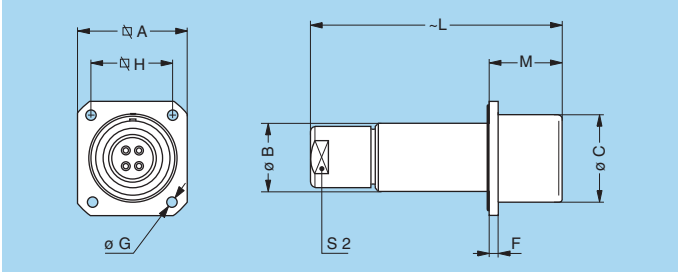
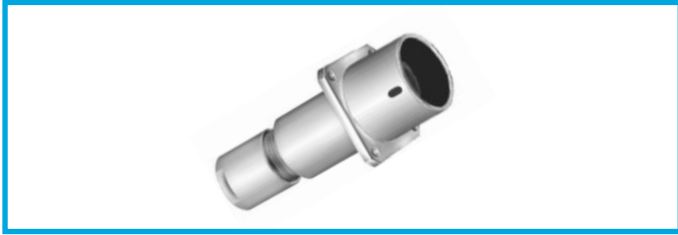
Reference		Dimensions (mm)								
Model	Series	A	B	e	E	L	M	S1	S2	S3
PKG	0K	18	19.2	M14x1.0	6.0	34.0	4.0	12.5	8	17
PKG	1K	20	21.5	M16x1.0	9.0	45.0	4.5	14.5	9	19
PKG	2K	25	27.0	M20x1.0	9.0	54.0	5.0	18.5	12	24
PKG	3K	31	34.0	M24x1.0	11.5	65.0	6.0	22.5	15	30
PKG	4K	37	40.5	M30x1.0	9.0	75.5	6.5	28.5	19	36
PKG	5K	55	54.0	M45x1.5	15.0	98.0	9.0	42.5	30	-

**P1** Panel cut-out (page 159)

**M1** Cable assembly (page 172)

**Note:** the 5K series is delivered with a round nut.

**PBG** Fixed socket, key (G) with square flange, cable collet and screw fixing

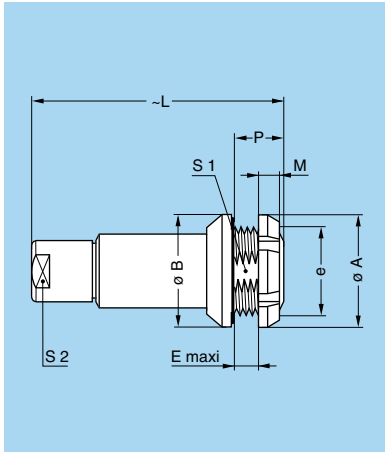


Reference		Dimensions (mm)								
Model	Series	A	B	C	F	G	H	L	M	S2
<b>PBG</b>	<b>3K</b>	29	19	23	3	3.4	23	65	22.5	15

**P7** Panel cut-out (page 159)

**M1** Cable assembly (page 172)

**PEG** Fixed socket, nut fixing, key (G) or keys (A to F, L and R), cable collet (back panel mounting)



Reference		Dimensions (mm)								
Model	Series	A	B	e	E	L	M	P	S1	S2
<b>PEG</b>	<b>0K</b>	18	18	M14x1.0	5.0	34	3.5	8.5	12.5	8
<b>PEG</b>	<b>1K</b>	20	20	M16x1.0	6.5	45	3.5	10.0	14.5	9
<b>PEG</b>	<b>2K</b>	25	25	M20x1.0	4.0	54	3.5	7.5	18.5	12
<b>PEG</b>	<b>3K</b>	30	31	M24x1.0	7.5	65	4.5	12.0	22.5	15

**P1** Panel cut-out (page 159)

**M1** Cable assembly (page 172)

**Note:** the 3K series is delivered with a conical nut.



## Watertight or vacuumtight models

These socket and coupler models allow the device on which they are fitted to reach a protection index of IP68 as per IEC 60529. They are fully compatible with plugs of the same series and are widely used for portable radios, military, laboratory equipment, aviation, etc.

These models are identified by a letter «P» at the end of the reference.

Most of these models are also available in a vacuumtight version. Such models are identified by an additional letter «V» at the end of the part number (certificate on request).

Epoxy resin is used to seal these models.

### Technical Characteristics

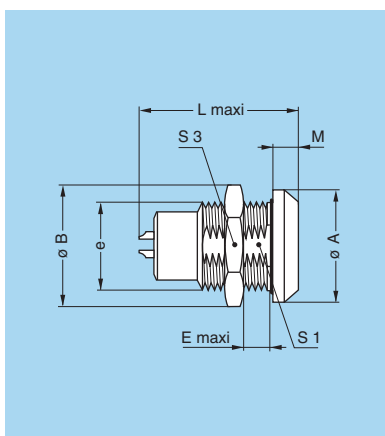
#### Mechanical and Climatrical

Characteristics	Value	Standard
Endurance <sup>1)</sup>	> 5000 cycles	IEC 60512-5 test 9a
Humidity	up to 95% at 60° C	
Temperature range	0K-1K	- 20° C/+ 100° C
	2K to 5K	- 20° C/+ 80° C
Salt spray corrosion test	> 1000h	IEC 60512-6 test 11f
Climatrical category	20/80/21	IEC 60068-1
Leakage rate (He) <sup>2)</sup>	< 10 <sup>-7</sup> mbar.l.s <sup>-1</sup>	IEC 60512-7 test 14b

Characteristics	Value	Standard	
Maximum operating pressure <sup>3)</sup>	0K	60 bar	IEC 60512-7 test 14d
	1K	60 bar	IEC 60512-7 test 14d
	2K	40 bar	IEC 60512-7 test 14d
	3K	30 bar	IEC 60512-7 test 14d
	4K	15 bar	IEC 60512-7 test 14d
5K	5 bar	IEC 60512-7 test 14d	

**Note:** <sup>1)</sup> see page 189, contact resistance after mating cycles. See page 185, mechanical endurance latching force. <sup>2)</sup> only for vacuumtight models. <sup>3)</sup> this value corresponds to the maximum allowed pressure difference for the assembled socket.

### HGG Fixed socket, nut fixing, key (G) or keys (A to F and L), watertight or vacuumtight

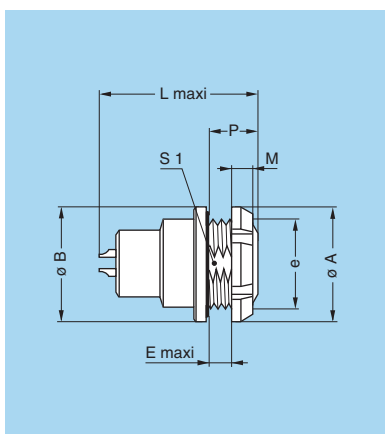


Reference		Dimensions (mm)							
Model	Series	A	B	e	E	L	M	S1	S3
HGG	0K	18	19.2	M14x1.0	5.5	23.0	4.0	12.5	17
HGG	1K	20	21.5	M16x1.0	9.0	30.0	4.5	14.5	19
HGG	2K	25	27.0	M20x1.0	13.0	33.7	5.0	18.5	24
HGG	3K	31	34.0	M24x1.0	16.0	41.7	6.0	22.5	30
HGG	4K	37	40.5	M30x1.0	14.0	49.2	6.5	28.5	36
HGG	5K	55	54.0	M45x1.5	10.0	55.7	9.0	42.5	–

**P1** Panel cut-out (page 159)

**Note:** the 5K series is delivered with a round nut.

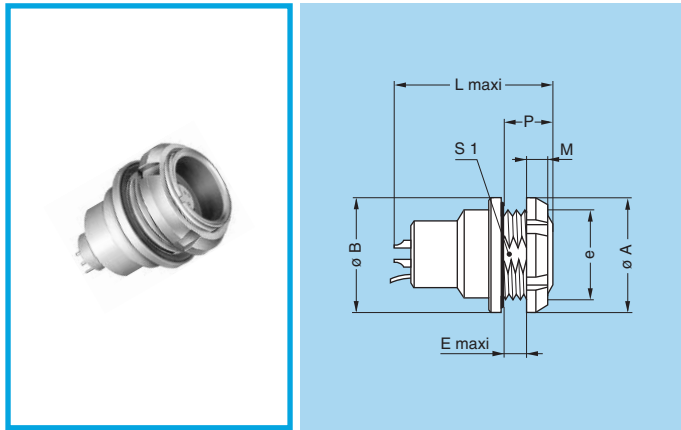
### HEG Fixed socket, nut fixing, key (G) or keys (A to F and L), watertight or vacuumtight (back panel mounting)



Reference		Dimensions (mm)							
Model	Series	A	B	e	E	L	M	P	S1
HEG	0K	18	18	M14x1.0	3.4	23.0	3.5	7	12.5
HEG	1K	20	20	M16x1.0	6.2	30.0	3.5	10	14.5
HEG	2K	25	25	M20x1.0	5.0	33.7	3.5	10	18.5

**P1** Panel cut-out (page 159)

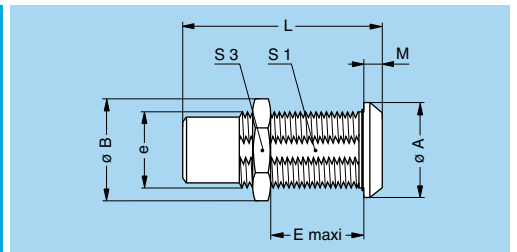
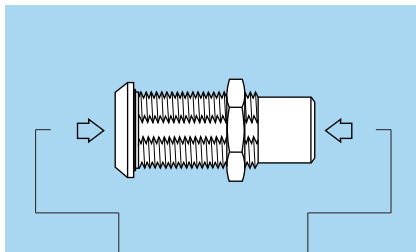
**HMG Fixed socket with earthing tag, nut fixing, key (G) or keys (A to F and L), watertight or vacuumtight (back panel mounting)**



Reference		Dimensions (mm)							
Model	Series	A	B	e	E	L	M	P	S1
<b>HMG</b>	<b>1K</b>	20	20	M16x1.0	6.2	30.0	3.5	10	14.5
<b>HMG</b>	<b>2K</b>	25	25	M20x1.0	5.0	33.7	3.5	10	18.5

**P1** Panel cut-out (page 159)

**S•• Fixed coupler, nut fixing, key (G) or keys (L) at the flange end, and key (G) or keys (C or L) at the other end, watertight or vacuumtight**



G		SGL		L
L		SLG		G
L		SLC		C

Example

Plug with key G      SGL      Plug with key L

Alignment key see page 49.

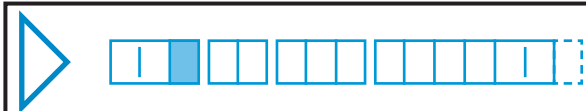
Reference		Contacts	Dimensions (mm)							
Model	Series	Type	A	B	e	E	L	M	S1	S3
<b>SGL</b>	<b>2K</b>	female – male	25	27.0	M20x1.0	25	52.4	5.0	18.5	24
<b>SLG</b>	<b>2K</b>	male – female	25	27.0	M20x1.0	25	52.4	5.0	18.5	24
<b>SLG</b>	<b>3K</b>	male – female	31	34.0	M24x1.0	33	64.0	6.0	22.5	30
<b>SLG</b>	<b>4K</b>	male – female	37	40.5	M30x1.0	48	74.0	6.5	28.5	36
<b>SLC</b>	<b>4K</b>	male – female	37	40.5	M30x1.0	48	74.0	6.5	28.5	36
<b>SLG</b>	<b>5K</b>	male – female	55	54.0	M45x1.5	58	88.0	9.0	42.5	–
<b>SLC</b>	<b>5K</b>	male – female	55	54.0	M45x1.5	58	88.0	9.0	42.5	–

**P1** Panel cut-out (page 159)

**Note:** for this fixed coupler, the first contact type mentioned is always the one at the flange end. On request, these couplers can be produced in other series, with other keys.

**Note:** The 5K series is delivered with a round nut.

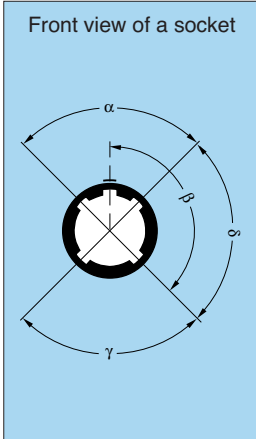


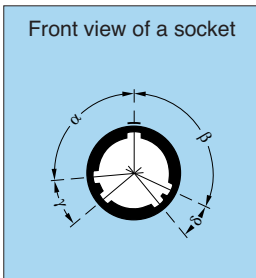


## Alignment Key (K series)

### Alignment Key and Polarized Keying System

K series connector model part numbers are composed of three letters. The LAST LETTER indicates the key position and the contact type (male or female).

Front view of a socket 	Ref.	Nb of keys	Angles	Series						Contact type		Note
				0K	1K	2K	3K	4K	5K	Plug	Socket	
	<b>G</b>	1	–	0°	0°	0°	0°	0°	0°	male	female	●
	<b>A</b>	2	$\alpha$	30°	30°	30°	30°	30°	30°	male	female	●
	<b>B</b>	2	$\alpha$	45°	45°	45°	45°	45°	45°	male	female	●
	<b>C</b>	2	$\alpha$	60°	60°	60°	60°	60°	60°	male	female	●
	<b>D</b>	2	$\gamma$	95°	95°	95°	95°	95°	95°	male	female	○
	<b>E</b>	2	$\beta$	120°	120°	120°	120°	120°	120°	male	female	○
	<b>F</b>	2	$\beta$	145°	145°	145°	145°	145°	145°	male	female	○
	<b>L</b>	2	$\gamma$	75°	75°	75°	75°	75°	75°	female	male	●

Front view of a socket 	Ref.	Nb of keys	Angles	Series						Contact type		Note
				0K	1K	2K	3K	4K	5K	Plug	Socket	
	<b>R</b>	5	$\alpha$	–	–	–	95°	–	–	male	female	●
		5	$\beta$	–	–	–	115°	–	–	male	female	●
		5	$\gamma$	–	–	–	35°	–	–	male	female	●
		5	$\delta$	–	–	–	25°	–	–	male	female	●

**Note:** S●● and TGL models are not available with all the keys. For S●● models see explanation on page 48. Please consult the pages corresponding to these models.

- First choice alternative
- Special order alternative

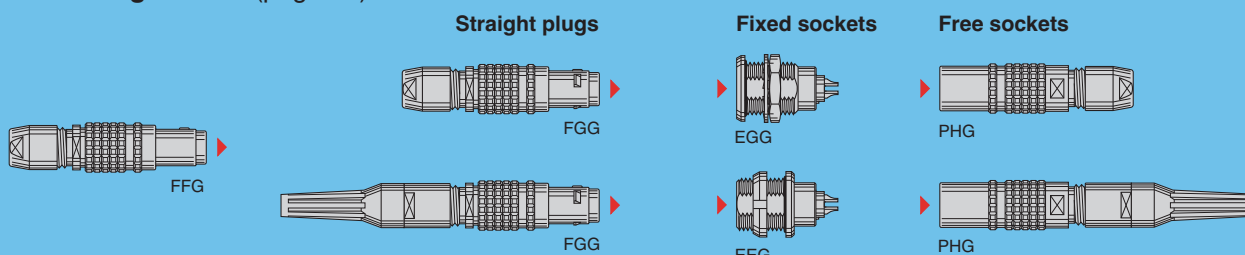


# T Series

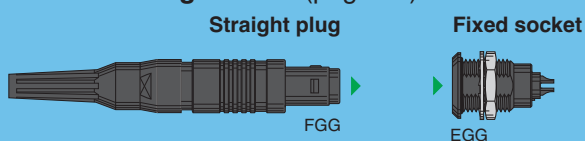
T series connectors have been specifically designed for outdoor applications. They include an inner sleeve and seals to prevent penetration of solids or liquids. This series is watertight when mated to give a protection index of IP68 as per IEC 60529 standard and have the following main features:

- IP68 mated
- Push-Pull self-latching system
- Mechanical key (FGG) with multiple keys to avoid cross-mating
- High packing density for space savings
- 360° shielding for full EMC shielding
- Compatible with existing B sockets
- Same mounting hole as B sockets
- Black-chrome plated brass and plastic outershell available
- Multipole types 2 to 32 contacts
- For cables 1.0 up to 10.5 mm
- Solder, crimp or print contacts

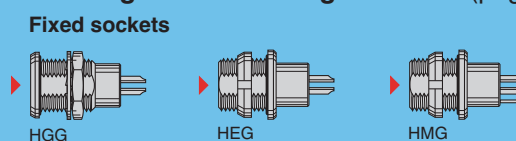
## Metal housing models (page 53)



## Plastic housing models (page 56)

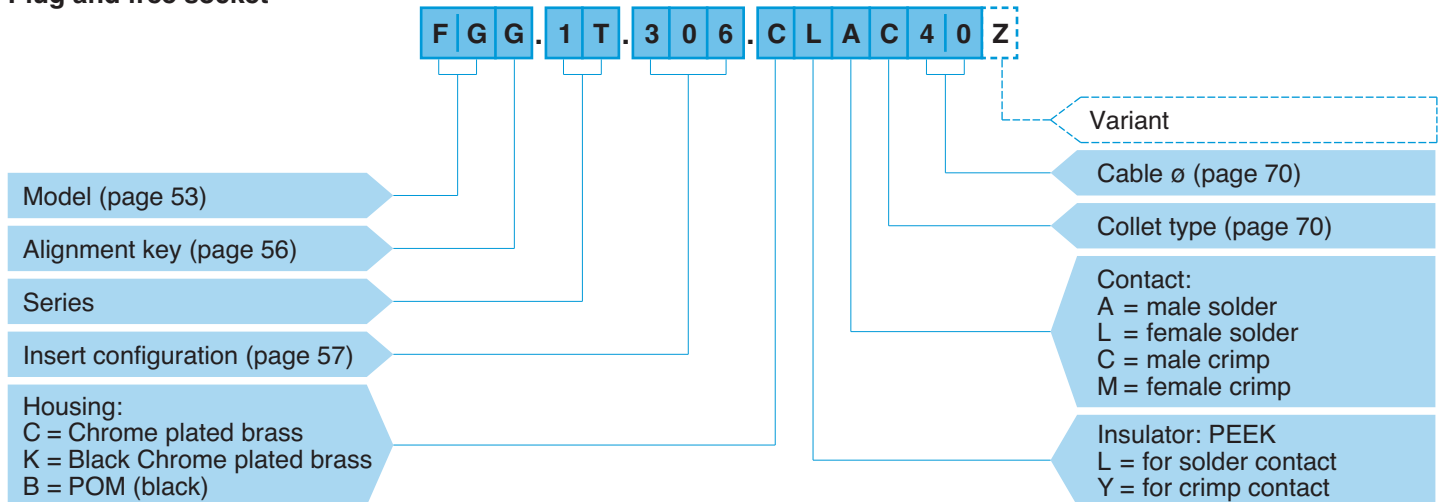


## Watertight or vacuumtight models (page 55)



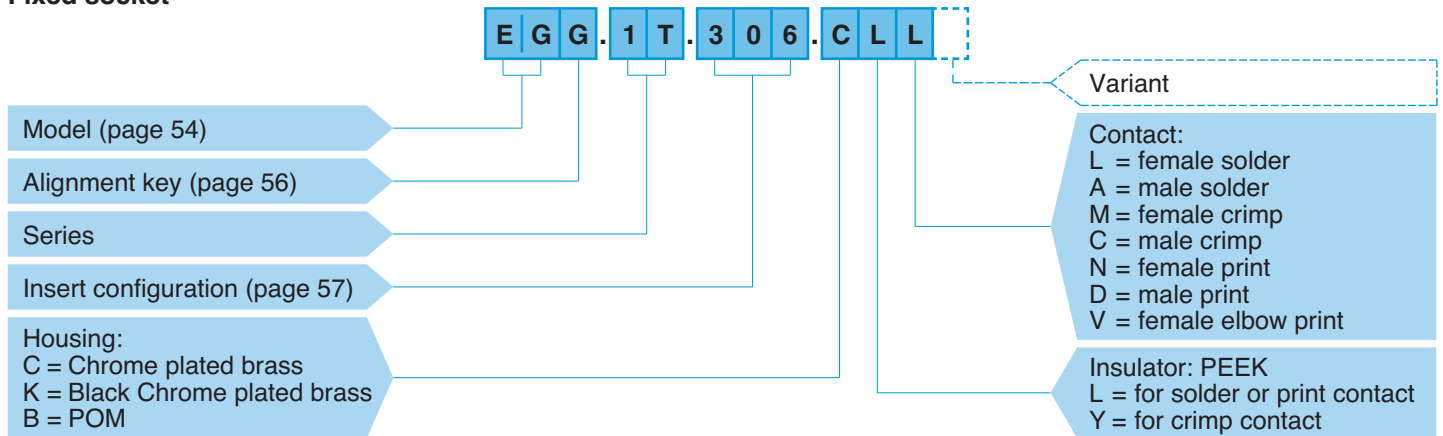
## Part Numbering System

### Plug and free socket



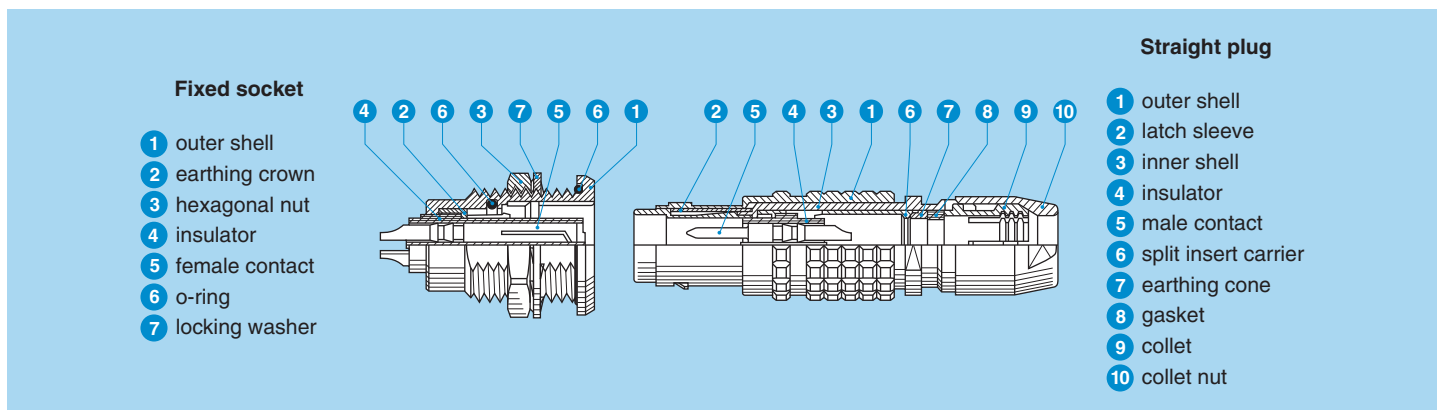
**FGG.1T.306.CLAC40Z** = Straight plug with key (G) and cable collet for bend relief, 1T series, multipole type with 6 contacts, outer shell in chrome-plated brass, PEEK insulator, male solder contacts, C type collet for 4.0 mm diameter cable and nut for fitting a bend relief.

### Fixed socket



**EGG.1T.306.CLL** = fixed socket, nut fixing, with key (G), 1T series, multipole type with 6 contacts, outer shell in chrome-plated brass, PEEK insulator, female solder contacts.

## Part Section Showing Internal Components





## Metal housing models

### Technical Characteristics

#### Mechanical and Climatical

Characteristics	Value	Standard
Endurance <sup>1)</sup>	> 3000 cycles	IEC 60512-5 test 9a
Humidity	up to 95% at 60° C	
Temperature range <sup>2)</sup>	- 55° C, + 200° C / (-20° C, +80° C)	
Resistance to vibrations	10-2000 Hz, 15g	IEC 60512-4 test 6d
Shock resistance	100 g, 6 ms	IEC 60512-4 test 6c
Salt spray corrosion test	> 1000h	IEC 60512-6 test 11f
Protection index (mated) <sup>3)</sup>	IP 68/IP 66	IEC 60529
Latching retention force <sup>4) 5)</sup>	From 85 N up to 300 N	
Climatical category	50/175/21	IEC 60068-1

#### Note:

- <sup>1)</sup> see page 189, contact resistance after mating cycles. See page 185, mechanical endurance latching force.  
<sup>2)</sup> operating temperature is -20°C, +80°C for watertight or vacuumtight models fitted with an FPM (Viton®) o-ring and Epoxy.  
<sup>3)</sup> IP68 achieved providing that the cable is perfectly circular and that assembly process ensures a high integrity seal.  
<sup>4)</sup> average value.  
<sup>5)</sup> depending of the size.

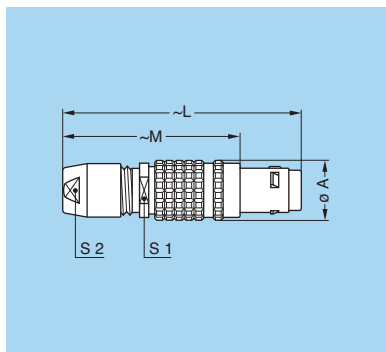
#### Electrical

Characteristics	Value	Standard	
Shielding efficiency	at 10 MHz	> 75 dB	IEC 60169-1-3
	at 1 GHz	> 40 dB	IEC 60169-1-3

#### Note:

the various tests have been carried out with FGG and EGG connector pairs, with chrome-plated brass shell and PEEK insulator. Detailed electrical characteristics, as well as materials and treatment are presented in the chapter Technical Characteristics on page 182.

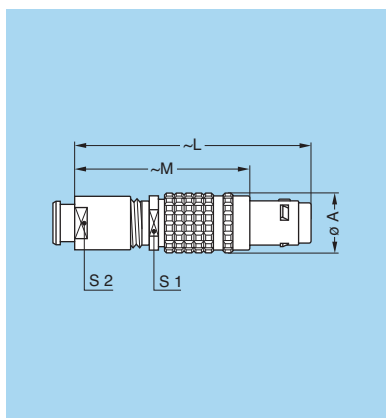
### FGG Straight plug, cable collet



Reference		Dimensions (mm)					Cable ø	
Model	Series	A	L	M	S1	S2	min.	max.
FGG	TT	7.0	33.2	25.2	5.5	5	2.4	3.0
FGG	0T	9.5	39.0	29.0	7.5	7	1.0	5.0
FGG	1T	12.0	46.0	35.0	11.0	9	1.3	6.5
FGG	2T	15.0	55.0	43.0	14.0	12	1.3	8.5
FGG	3T	18.8	64.0	49.0	16.0	14	2.6	10.5

**M1** Cable assembly (page 174)

### FGG Straight plug, cable collet and nut for fitting a bend relief <sup>1)</sup>

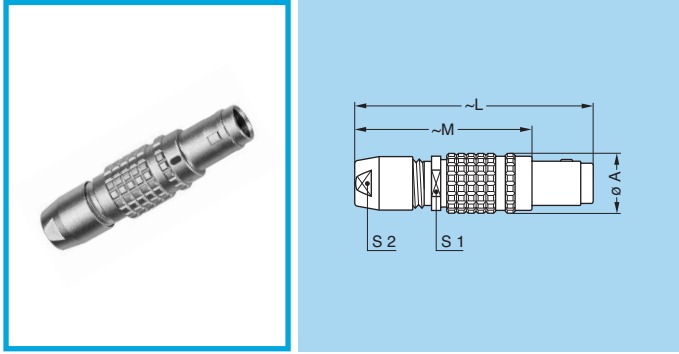


Reference		Dimensions (mm)					Cable ø	
Model	Series	A	L	M	S1	S2	min.	max.
FGG	TT	7.0	32.7	24.7	5.5	6	2.4	3.0
FGG	0T	9.5	38.0	28.0	7.5	7	1.0	5.0
FGG	1T	12.0	45.0	34.0	11.0	9	1.3	6.5
FGG	2T	15.0	54.0	42.0	14.0	12	1.3	8.5
FGG	3T	18.8	62.0	47.0	16.0	15	2.6	10.5

**M1** Cable assembly (page 174)

**Note:** <sup>1)</sup> to order, add a «Z» at the end of the reference. The bend relief must be ordered separately (see page 145).

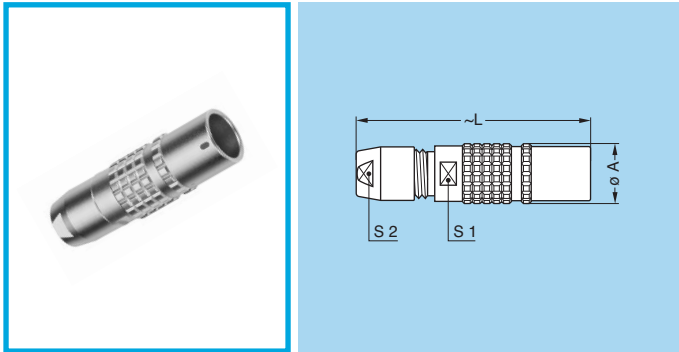
### FFG Straight plug, non latching, cable collet



Reference		Dimensions (mm)					Cable $\phi$	
Model	Series	A	L	M	S1	S2	min.	max.
FFG	TT	7.0	33.2	25.2	6	5	2.4	3.0
FFG	0T	9.5	39.0	29.0	8	7	1.0	5.0
FFG	1T	12.0	46.0	35.0	10	9	1.3	6.5
FFG	2T	15.0	55.0	43.0	13	12	1.3	8.5
FFG	3T	18.8	64.0	49.0	16	14	2.6	10.5

**M1** Cable assembly (page 174)

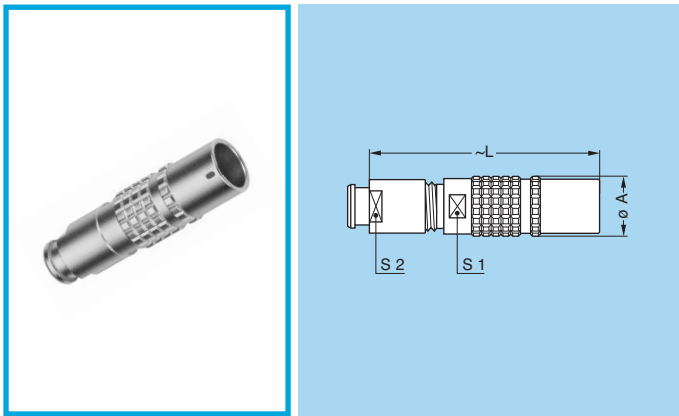
### PHG Free socket, cable collet



Reference		Dimensions (mm)				Cable $\phi$	
Model	Series	A	L	S1	S2	min.	max.
PHG	TT	7.0	32.0	5.5	5	2.4	3.0
PHG	0T	9.5	38.0	7.5	7	1.0	5.0
PHG	1T	12.0	43.5	11.0	9	1.3	6.5
PHG	2T	15.0	52.0	14.0	12	1.3	8.5
PHG	3T	18.8	61.5	16.0	14	2.6	10.5

**M1** Cable assembly (page 174)

### PHG Free socket, cable collet and nut for fitting a bend relief <sup>1)</sup>

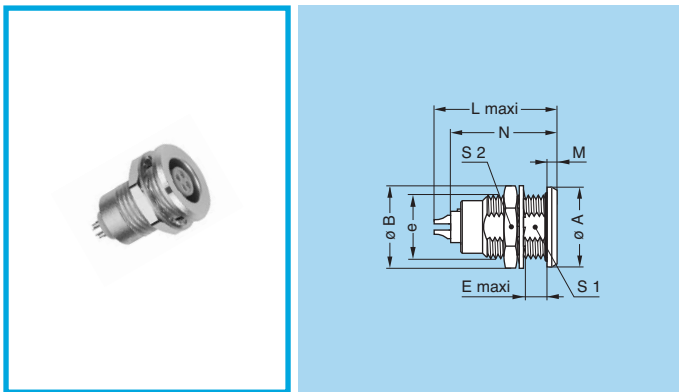


Reference		Dimensions (mm)				Cable $\phi$	
Model	Series	A	L	S1	S2	min.	max.
PHG	TT	7.0	31.5	5.5	6	2.4	3.0
PHG	0T	9.5	37.0	7.5	7	1.0	5.0
PHG	1T	12.0	42.5	11.0	9	1.3	6.5
PHG	2T	15.0	51.0	14.0	12	1.3	8.5
PHG	3T	18.8	60.0	16.0	15	2.6	10.5

**M1** Cable assembly (page 174)

**Note:** <sup>1)</sup> to order, add a «Z» at the end of the reference. The bend relief must be ordered separately (see page 145).

### EGG Fixed socket, nut fixing



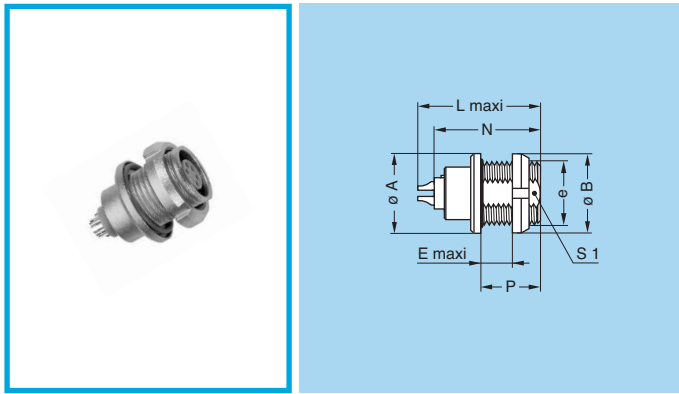
Reference		Dimensions (mm)								
Model	Series	A	B	e	E	L	M	N <sup>1)</sup>	S1	S2
EGG	TT	10.0	10.2	M7x0.5	5.5	16.0	1.2	13.5	6.3	9
EGG	0T	12.0	12.5	M9x0.6	6.0	21.0	1.5	19.1	8.2	11
EGG	1T	15.5	16.0	M12x1.0	6.0	23.0	1.8	21.5	10.5	14
EGG	2T	18.5	19.6	M15x1.0	7.5	26.5	1.8	24.6	13.5	17
EGG	3T	23.5	25.1	M18x1.0	9.6	30.1	2.5	25.0	16.5	22

**P1** Panel cut-out (page 157)

**Note:** <sup>1)</sup> maximum length with crimp contacts.



### EEG Fixed socket, nut fixing, back panel mounting



Reference		Dimensions (mm)							
Model	Series	A	B	e	E	L	N <sup>1)</sup>	P	S1
EEG	TT	10.0	10.0	M7x0.5	4.5	16.0	13.5	7	6.3
EEG	0T	12.0	12.0	M9x0.6	6.5	21.0	19.1	9	8.2
EEG	1T	15.5	16.0	M12x1.0	6.5	23.0	21.5	10	10.5
EEG	2T	18.5	20.0	M15x1.0	7.5	26.5	24.6	11	13.5
EEG	3T	23.5	24.0	M18x1.0	7.5	30.1	25.0	12	16.5

**P1** Panel cut-out (page 157)

**Note:** <sup>1)</sup> maximum length with crimp contacts.

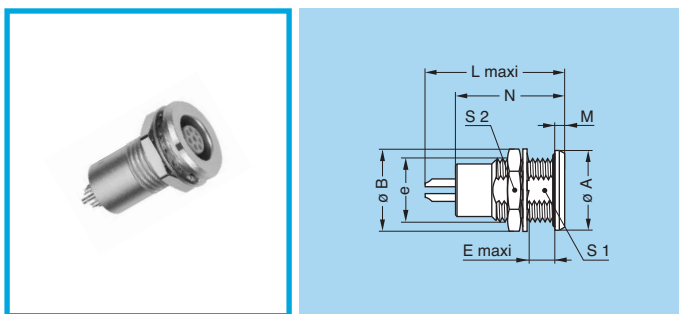
## ▶ Watertight or vacuumtight models

These models are identified by a letter «P» at the end of the reference. Most of these models are also available in a vacuumtight version. Such models are identified by an additional letter «V» at the end of the part number (certificate on request). Epoxy resin is used to seal these models. The temperature range is -20°C / +80°C.

#### Part Number Example

HGG.0T.305.CLLP (5 contacts, resin potted)  
HGG.0T.305.CLLPV (5 contacts, resin potted and vacuumtight tested)

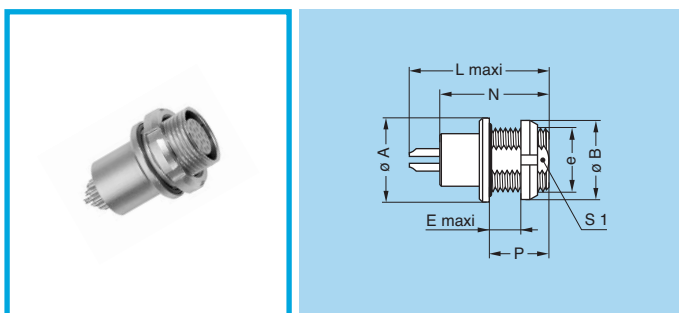
### HGG Fixed socket, nut fixing, watertight or vacuumtight



Reference		Dimensions (mm)								
Model	Series	A	B	e	E	L	M	N <sup>1)</sup>	S1	S2
HGG	TT	10.0	10.2	M7x0.5	5.5	18.0	1.2	15.0	6.3	9
HGG	0T	12.0	12.5	M9x0.6	6.5	22.0	1.5	18.5	8.2	11
HGG	1T	15.5	16.0	M12x1.0	6.0	26.0	1.8	21.5	10.5	14
HGG	2T	18.5	19.6	M15x1.0	8.0	30.5	1.8	25.0	13.5	17

**P9** Panel cut-out (page 157)

### HEG Fixed socket, nut fixing, watertight or vacuumtight, back panel mounting



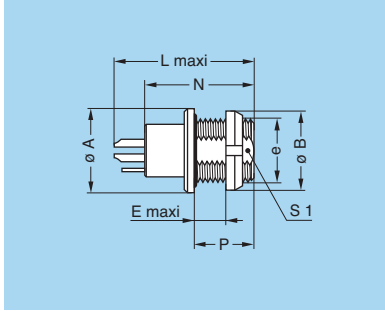
Reference		Dimensions (mm)							
Model	Series	A	B	e	E	L	N	P	S1
HEG	TT	10.0	10.0	M7x0.5	4.5	18.0	15.0	7	6.3
HEG	0T	12.0	12.0	M9x0.6	6.5	22.0	18.5	9	8.2
HEG	1T	15.5	16.0	M12x1.0	6.5	26.0	21.5	10	10.5
HEG	2T	18.5	20.0	M15x1.0	7.5	30.5	25.0	11	13.5

**P9** Panel cut-out (page 157)





**HMG Fixed socket with earthing tag, nut fixing, watertight or vacuumtight, back panel mounting**

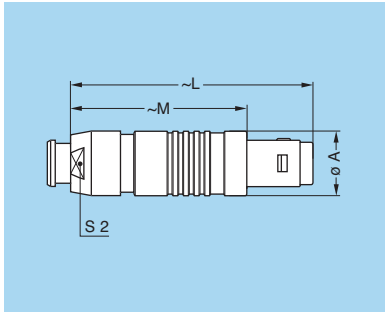


Reference		Dimensions (mm)							
Model	Series	A	B	e	E	L	N	P	S1
HMG	TT	10.0	10.0	M7x0.5	4.5	18.0	15.0	7	6.3
HMG	0T	12.0	12.0	M9x0.6	6.5	22.0	18.5	9	8.2
HMG	1T	15.5	16.0	M12x1.0	6.5	26.0	21.5	10	10.5
HMG	2T	18.5	20.0	M15x1.0	7.5	30.5	25.0	11	13.5

**P9** Panel cut-out (page 157)

**Plastic housing models**

**FGG Straight plug, cable collet and nut for fitting a bend relief, POM outer shell <sup>1)</sup>**

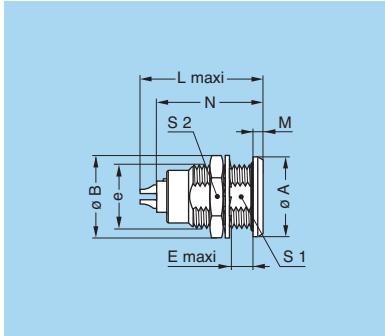


Reference		Dimensions (mm)				Cable ø	
Model	Series	A	L	M	S2	min.	max.
FGG	0T	9.7	38.5	28.5	8	1.0	5.0
FGG	1T	13.0	45.0	34.0	10	1.3	6.5

**M1** Cable assembly (page 174)

**Note:** <sup>1)</sup> to order, add a «Z» at the end of the reference. The bend relief must be ordered separately (see page 145).

**EGG Fixed socket, nut fixing, POM outer shell**



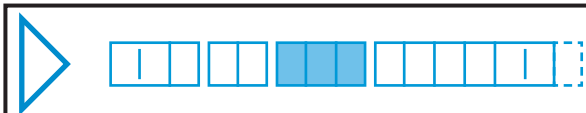
Reference		Dimensions (mm)								
Model	Series	A	B	e	E	L	M	N <sup>1)</sup>	S1	S2
EGG	0T	12.0	12.5	M9x0.6	6.0	21.0	1.5	19.1	8.2	11
EGG	1T	15.5	16.0	M12x1.0	6.0	23.0	1.8	21.5	10.5	14

**P1** Panel cut-out (page 157)

**Note:** <sup>1)</sup> maximum length with crimp contacts.

**Alignment Key**

Key	Contact type	
	Plug	Socket
<b>G</b>	male	female
<b>A</b>	male	female
<b>D</b>	male	female
<b>L</b>	female	male
<b>J</b>	female	male



## Insert configuration (B, K and T series)

### Multipole

	Solder contacts		Reference	Series	Contact ø (mm)	Contact type				AWG			Solder contact		Crimp contact		Rated current (A) <sup>1)</sup>
						Solder	Crimp	Print (straight)	Print (elbow)	Solder (max.)	Crimp		Test voltage (kV rms) <sup>1)</sup> Contact-contact	Test voltage (kV rms) <sup>4)</sup> Contact-shell	Test voltage (kV rms) <sup>1)</sup> Contact-contact	Test voltage (kV rms) <sup>4)</sup> Contact-shell	
											min.	max.					
2			302	00-TT	0.5	●	●	●	●	30	32	28	1.00	0.95	1.15	1.20	3.5
				0B-0K-0T	0.9	●	●	●	●	20	32	20	1.00	1.05	1.45	1.20	10.0 <sup>2)</sup>
				1B-1K-1T	1.3	●	●	●	●	20	26	18	1.50	1.35	1.70	1.45	15.0 <sup>3)</sup>
				2B-2K-2T	2.0	●	●	●	●	16	18	12	2.10	1.75	2.85	2.70	25.0 <sup>3)</sup>
				3B-3K-3T	3.0	●	●	○	–	12	14	10	2.10	1.55	2.30	1.80	35.0
				5B-5K	6.0	●	–	–	–	8	–	–	3.60	2.95	–	–	50.0
3			303	00-TT	0.5	●	●	●	●	30	32	28	0.80	0.95	1.35	1.10	3.0
				0B-0K-0T	0.9	●	●	●	●	20	32	20	1.20	0.90	1.70	1.60	8.0 <sup>2)</sup>
				1B-1K-1T	1.3	●	●	●	●	20	26	18	1.30	1.55	1.60	1.85	12.0
				2B-2K-2T	1.6	●	●	●	●	18	22	14	2.40	1.85	1.90	1.90	17.0 <sup>3)</sup>
				3B-3K-3T	2.0	●	●	●	○	16	18	12	1.90	1.50	3.20	2.65	25.0
4			304	00-TT	0.5	●	●	●	●	30	32	28	0.80	0.65	1.05	1.05	2.0
				0B-0K-0T	0.7	●	●	●	●	22	32	22	0.85	0.70	1.35	1.10	7.0 <sup>2)</sup>
				1B-1K-1T	0.9	●	●	●	●	22	32	20	1.35	1.45	1.70	1.80	10.0 <sup>2)</sup>
				2B-2K-2T	1.3	●	●	●	●	20	26	18	1.85	1.85	2.20	2.20	15.0 <sup>3)</sup>
				3B-3K-3T	2.0	●	●	●	●	16	18	12	1.45	1.25	2.50	2.20	19.0
				4B-4K	3.0	●	●	○	–	12	14	10	2.10	1.50	1.80	1.20	30.0
				5B-5K	4.0	●	●	○	–	10	12	10	2.95	2.65	3.20	2.40	35.0
5			305	00-TT	0.35	●	–	●	–	30	–	–	0.70	1.00	–	–	1.7

- First choice alternative
- Special order alternative

**Note:** 1) see calculation method, caution and suggested standard on page 190.  
 2) rated current = 6A for socket with elbow (90°) contact for printed circuit.  
 3) rated current = 12A for socket with elbow (90°) contact for printed circuit.  
 4) test voltage (kV) contact-shell is slightly lower for K and T series (values here are for B series).

## Multipole

	Solder contacts		Crimp contacts		Reference	Series	Contact ø (mm)	Contact type				AWG		Solder contact		Crimp contact		Rated current (A) <sup>1)</sup>
			Solder	Crimp				Print (straight)	Print (elbow)	Solder (max.)	Crimp		Test voltage (kV rms) <sup>1)</sup> Contact-contact	Test voltage (kV rms) <sup>5)</sup> Contact-shell	Test voltage (kV rms) <sup>1)</sup> Contact-contact	Test voltage (kV rms) <sup>5)</sup> Contact-shell		
											min.	max.						
5			305	0B-0K-0T	0.7	●	●	●	●	22	32	22	1.00	0.70	1.25	1.20	6.5 <sup>2)</sup>	
				1B-1K-1T	0.9	●	●	●	●	22	32	20	1.25	1.15	1.30	1.55	9.0 <sup>2)</sup>	
				2B-2K-2T	1.3	●	●	●	●	20	26	18	1.75	1.60	2.15	2.15	14.0 <sup>3)</sup>	
				3B-3K-3T	1.6	●	●	●	○	18	22	14	1.90	1.25	2.40	1.75	19.0	
6			306	0B-0K-0T	0.5	●	○ <sup>4)</sup>	●	●	28	32	28	0.85	0.65	1.40	1.20	2.5	
				1B-1K-1T	0.7	●	●	●	●	22	32	22	1.05	1.20	1.35	1.45	7.0 <sup>2)</sup>	
6			306	00-TT	0.35	●	-	-	-	30	-	-	0.60	0.75	-	-	1.5	
				2B-2K-2T	1.3	●	●	●	●	20	26	18	1.35	1.45	2.00	2.35	12.0	
				3B-3K-3T	1.6	●	●	●	●	18	22	14	1.60	1.15	1.90	1.80	17.0	
				4B-4K	2.0	●	●	○	-	16	18	12	2.00	1.75	2.75	2.40	24.0	
7			307	0B-0K-0T	0.5	●	○ <sup>4)</sup>	●	●	28	32	28	0.80	0.70	1.40	1.20	2.5	
				1B-1K-1T	0.7	●	●	●	●	22	32	22	0.95	1.05	1.45	1.45	7.0 <sup>2)</sup>	
				2B-2K-2T	1.3	●	●	●	●	20	26	18	1.75	1.60	1.95	2.15	11.0	
				3B-3K-3T	1.6	●	●	●	○	18	22	14	1.70	1.25	2.00	2.05	15.0	
				4B-4K	2.0	●	●	○	-	16	18	12	2.00	1.80	1.50	1.35	20.0	
8			308	1B-1K-1T	0.7	●	●	●	●	22	32	22	0.95	1.15	1.30	1.30	5.0	
8			308	2B-2K-2T	0.9	●	●	●	●	22	32	20	1.50	1.25	1.95	1.95	10.0 <sup>2)</sup>	
				3B-3K-3T	1.3	●	●	●	●	20	26	18	1.65	1.15	1.85	1.75	13.0	

● First choice alternative  
○ Special order alternative

**Note:** 1) see calculation method, caution and suggested standard on page 190.  
 2) rated current = 6A for socket with elbow (90°) contact for printed circuit.  
 3) rated current = 12A for socket with elbow (90°) contact for printed circuit.  
 4) available only for connectors fitted with male contacts.  
 5) test voltage (kV) contact-shell is slightly lower for K and T series (values here are for B series).



## Multipole

	Solder contacts		Reference	Series	Contact ø (mm)	Contact type				AWG			Solder contact		Crimp contact		Rated current (A) <sup>1)</sup>
	Crimp contacts					Solder	Crimp	Print (straight)	Print (elbow)	Solder (max.)	Crimp		Test voltage (kV rms) <sup>1)</sup> Contact-contact	Test voltage (kV rms) <sup>4)</sup> Contact-shell	Test voltage (kV rms) <sup>1)</sup> Contact-contact	Test voltage (kV rms) <sup>4)</sup> Contact-shell	
	min.	max.															
9			309	0B-0K-0T	0.5	●	○ <sup>3)</sup>	●	●	28	32	28	0.60	0.50	1.00	0.85	2.0
9			309	3B-3K-3T	8x1.3 1x2.0	●	●	●	—	20 16	26 18	18 12	1.35	1.05	1.10	1.05	6.0 15.0
10			310	1B-1K-1T	0.5	●	○ <sup>3)</sup>	●	●	28	32	28	0.90	1.50	1.20	1.80	2.5
				2B-2K-2T	0.9	●	●	●	●	22	32	20	1.45	1.30	1.80	2.10	8.0 <sup>2)</sup>
				3B-3K-3T	1.3	●	●	●	●	20	26	18	1.25	0.90	1.50	1.80	12.0
				4B-4K	1.6	●	●	○	—	18	22	14	1.85	1.30	1.90	1.95	17.0
				5B-5K	3.0	●	●	○	—	12	14	10	2.35	2.30	2.65	3.20	20.0
12			312	0B-0K-0T	0.35	●	—	●	—	30	—	—	0.80	1.00	—	—	1.5
12			312	XB	0.7	●	—	●	—	22	32	22	1.35	1.65	—	—	5.0
12			312	2B-2K-2T	0.7	●	●	●	●	22	32	22	1.25	1.35	1.65	2.00	7.0 <sup>2)</sup>
				3B-3K-3T	0.9	●	●	●	●	22	32	20	1.45	1.00	1.65	1.85	9.0
				4B-4K	1.3	●	●	○	—	20	26	18	1.45	1.60	1.90	1.85	12.0

- First choice alternative
- Special order alternative

**Note:** 1) see calculation method, caution and suggested standard on page 190.  
 2) rated current = 6A for socket with elbow (90°) contact for printed circuit.  
 3) available only for connectors fitted with male contacts.  
 4) test voltage (kV) contact-shell is slightly lower for K and T series (values here are for B series).

# Multipole

	Solder contacts		Crimp contacts		Reference	Series	Contact ø (mm)	Contact type				AWG		Solder contact		Crimp contact		Rated current (A) <sup>1)</sup>	
								Solder	Crimp	Print (straight)	Print (elbow)	Solder (max.)	Crimp		Test voltage (kV rms) <sup>1)</sup> Contact-contact	Test voltage (kV rms) <sup>4)</sup> Contact-shell	Test voltage (kV rms) <sup>1)</sup> Contact-contact		Test voltage (kV rms) <sup>4)</sup> Contact-shell
													min.	max.					
14					314	1B-1K-1T	0.5	●	○ <sup>3)</sup>	●	●	28	32	28	0.80	1.20	0.95	1.60	2.0
						2B-2K-2T	0.7	●	●	●	●	22	32	22	1.15	1.35	1.55	1.55	6.5 <sup>2)</sup>
						3B-3K-3T	0.9	●	●	●	●	22	32	20	1.20	1.20	1.80	1.65	9.0 <sup>2)</sup>
						5B-5K	2.0	●	●	○	–	16	18	12	2.10	2.00	2.85	2.95	18.0
16					316	1B-1K-1T	0.5	●	○ <sup>3)</sup>	●	○	28	32	28	0.80	1.25	0.95	1.60	1.5
16					316	2B-2K-2T	0.7	●	●	●	●	22	32	22	0.95	1.25	1.55	1.75	6.0
						3B-3K-3T	0.9	●	●	●	●	22	32	20	1.20	0.85	1.80	1.50	8.0
						4B-4K	0.9	●	●	●	–	22	32	20	1.35	1.50	2.30	2.10	10.0
						5B-5K	2.0	●	●	○	–	16	18	12	1.85	1.95	2.45	3.05	12.0
18					318	2B-2K-2T	0.7	●	●	●	●	22	32	22	0.85	1.20	1.45	2.10	5.5
						3B-3K-3T	0.9	●	●	●	●	22	32	20	1.20	1.05	1.85	1.60	7.0
19					319	2B-2K-2T	0.7	●	●	●	●	22	32	22	0.95	1.25	1.55	1.65	5.0
20					320	3B-3K-3T	0.7	●	●	●	●	22	32	22	1.00	0.90	1.35	1.55	6.0

- First choice alternative
- Special order alternative

**Note:** 1) see calculation method, caution and suggested standard on page 190.  
 2) rated current = 6A for socket with elbow (90°) contact for printed circuit.  
 3) available only for connectors fitted with male contacts.  
 4) test voltage (kV) contact-shell is slightly lower for K and T series (values here are for B series).



## Multipole

	Solder contacts		Reference	Series	Contact ø (mm)	Contact type				AWG			Solder contact		Crimp contact		Rated current (A) <sup>1)</sup>
	Crimp contacts					Solder	Crimp	Print (straight)	Print (elbow)	Solder (max.)	Crimp		Test voltage (kV rms) <sup>1)</sup> Contact-contact	Test voltage (kV rms) <sup>2)</sup> Contact-shell	Test voltage (kV rms) <sup>1)</sup> Contact-contact	Test voltage (kV rms) <sup>2)</sup> Contact-shell	
											min.	max.					
20			320	4B-4K	0.9	●	●	●	–	22	32	20	1.35	1.00	1.05	0.95	8.0
				5B-5K	1.6	●	●	○	–	18	22	14	1.90	1.70	2.20	2.40	10.0
22			322	XB	0.5	●	–	●	–	28	–	–	0.50	0.90	–	–	1.5
22			322	3B-3K-3T	0.7	●	●	●	○	22	32	22	1.00	0.90	1.70	1.45	5.5
24			324	3B-3K-3T	0.7	●	●	●	●	22	32	22	0.95	0.80	1.35	1.35	4.0
				4B-4K	0.9	●	●	●	–	22	32	20	1.20	1.45	1.80	2.05	7.0
26			326	2B-2K-2T	0.5	●	–	●	○	28	–	–	0.95	1.30	–	–	2.0
				3B-3K-3T	0.7	●	●	●	○	22	32	22	0.95	0.70	1.50	1.30	4.0
30			330	3B-3K-3T	0.7	●	●	●	●	22	32	22	0.80	0.70	1.35	1.20	3.5
				4B-4K	0.9	●	●	●	–	22	32	20	0.95	0.85	1.75	1.45	5.0
				5B-5K	1.3	●	●	○	–	20	26	18	1.45	1.60	2.05	2.45	8.0

- First choice alternative
- Special order alternative

**Note:** <sup>1)</sup> see calculation method, caution and suggested standard on page 190.  
<sup>2)</sup> test voltage (kV) contact-shell is slightly lower for K and T series (values here are for B series).

# Multipole

	Solder contacts		Crimp contacts		Reference	Series	Contact ø (mm)	Contact type				AWG		Solder contact		Crimp contact		Rated current (A) <sup>1)</sup>	
								Solder	Crimp	Print (straight)	Print (elbow)	Solder (max.)	Crimp		Test voltage (kV rms) <sup>1)</sup> Contact-contact	Test voltage (kV rms) <sup>2)</sup> Contact-shell	Test voltage (kV rms) <sup>1)</sup> Contact-contact		Test voltage (kV rms) <sup>2)</sup> Contact-shell
													min.	max.					
32					332	2B-2K-2T	0.5	●	–	●	○	28	–	–	0.80	1.20	–	–	1.5
32					332	3B-3K	0.7	●	○	●	○	22	32	22	0.75	0.70	–	–	3.0
40					340	4B-4K	0.7	●	●	●	–	22	32	22	0.90	0.90	1.30	1.30	2.0
							5B-5K	1.3	●	●	○	–	20	26	18	1.30	1.45	2.00	1.95
48					348	4B-4K	0.7	●	●	●	–	22	32	22	0.70	0.70	1.00	1.00	1.5
48					348	5B-5K	1.3	●	●	●	–	20	26	18	1.20	1.10	2.00	1.55	6.0
50					350	5B-5K	0.9	●	●	●	–	22	32	20	1.30	1.60	1.20	1.45	6.0

● First choice alternative  
○ Special order alternative

**Note:** <sup>1)</sup> see calculation method, caution and suggested standard on page 190.  
<sup>2)</sup> test voltage (kV) contact-shell is slightly lower for K and T series (values here are for B series).





## Multipole

			Reference	Series	Contact ø (mm)	Contact type				AWG			Solder contact		Crimp contact		Rated current (A) <sup>1)</sup>
						Solder	Crimp	Print (straight)	Print (elbow)	Solder (max.)	Crimp		Test voltage (kV rms) <sup>1)</sup> Contact-contact	Test voltage (kV rms) <sup>2)</sup> Contact-shell	Test voltage (kV rms) <sup>1)</sup> Contact-contact	Test voltage (kV rms) <sup>2)</sup> Contact-shell	
											min.	max.					
54			354	5B-5K	0.9	●	●	●	–	22	32	20	1.15	1.55	2.00	2.10	5.0
64			364	5B-5K	0.9	●	●	●	–	22	32	20	1.30	1.55	1.35	1.85	3.0

- First choice alternative
- Special order alternative

**Note:** <sup>1)</sup> see calculation method, caution and suggested standard on page 190.  
<sup>2)</sup> test voltage (kV) contact-shell is slightly lower for K and T series (values here are for B series).

## Housings (B, K and T series)

Ref.	Outer shell and collet nut		Latch sleeve + earthing crown		Other metallic components		Remarks	Note
	Material	Surf. treatment	Material	Surf. treatment	Material	Surf. treatment		
<b>C</b>	Brass	chrome	brass/bronze	nickel <sup>2)</sup>	brass	nickel		●
<b>N</b>	Brass	nickel	brass/bronze	nickel <sup>2)</sup>	brass	nickel		○
<b>K</b>	Brass	black chrome <sup>3)</sup>	brass/bronze	nickel <sup>2)</sup>	brass	nickel		●
<b>S</b>	Stainless steel	–	brass/bronze	nickel <sup>2)</sup>	brass	nickel		●
<b>T</b>	Stainless steel	–	stainless steel	–	brass	nickel		○
<b>U</b>	Stainless steel	–	stainless steel	–	stainless steel	–		○
<b>L</b>	Aluminium alloy	anodized	brass/bronze	nickel <sup>2)</sup>	brass	nickel	<sup>1)</sup>	○
<b>X</b>	Aluminium alloy	nickel anthracite	brass/bronze	nickel <sup>2)</sup>	brass	nickel		○
<b>G</b>	PEEK (natural)	–	brass/bronze	nickel <sup>2)</sup>	brass	nickel	Only for FGG and ENG (B series)	●
<b>P</b>	PSU	–	brass/bronze	nickel <sup>2)</sup>	brass	nickel	Only for FGY and ENY (B series) <sup>1)</sup>	●
<b>R</b>	PPSU	–	brass/bronze	nickel <sup>2)</sup>	brass	nickel	Only for FGY and ENY (B series) <sup>1)</sup>	●
<b>H</b>	PPS/brass	–/nickel	brass/bronze	nickel <sup>2)</sup>	brass	nickel	Only for elbow sockets (B series)	●
<b>P</b>	PA.6	–	brass/bronze	nickel <sup>2)</sup>	brass	nickel	Only for CRF and CRG bridge plug <sup>1)</sup>	●

**Note:** detailed characteristics of these materials and treatments are presented on page 182.

<sup>1)</sup> see «variant» for the colour.

<sup>2)</sup> in the K series, the latch sleeve is chrome-plated.

<sup>3)</sup> surface not conductive use socket with earthing tag (EN● and HM● model) to carry shield.

● First choice alternative  
○ Special order alternative

## Insulators (B, K and T series)

Ref.	Material	Contact type	Remarks	Note
<b>Y</b>	PEEK	Crimp	extended design, with contacts that recess into insulator	●
<b>L</b>	PEEK	Solder or print		●

**Note:** detailed characteristics of these materials are presented on page 187.

## Contacts (B, K and T series)

### Soldering characteristics

- no need to order specific tools, a simple soldering iron is sufficient
- ideal for very small and fragile conductors
- contacts with solder cups to allow the solder to flow

**Note:** see page 188 for more information.

### Crimping characteristics

- practical, quick contact fixing outside the insulator
- possible use at high temperature
- need to order specific tools
- no risk of heating the insulator during the conductor-contact fixing
- high tensile strength
- totally lead-free solution



### Contacts reference for couplers R●●, S●● and TGL

Ref.	Contact type	Remarks
<b>A</b>	Male - Female	contact configuration is explained on page 24, 33, 48
<b>L</b>	Female - Male	contact configuration is explained on page 24, 33, 48
<b>M</b>	Female - Female	contact configuration is explained on page 24

### Contacts reference for plugs, free or fixed sockets

Contact type	Reference		Contact			Conductor						F <sub>r</sub> <sup>1)</sup> (N)	Notes	
	Male	Female	ø A (mm)	ø C (mm)	Form per fig.	Solid		Stranded						
						AWG max.	Section max. (mm <sup>2</sup> )	AWG		Section (mm <sup>2</sup> )				
								min.	max.	min.	max.			
Solder  	<b>A</b>	<b>L</b>	0.35	0.40	–	28	0.09	–	30	–	0.05	–	–	●
			0.5 <sup>2)</sup>	0.40 <sup>2)</sup>	–	28	0.09	–	30	–	0.05	–	–	
			0.5	0.45 <sup>6)</sup>	–	28	0.09	–	28	–	0.09	–	–	
			0.7	0.80	–	22	0.34	–	22 <sup>3)</sup>	–	0.34	–	–	
			0.9	0.80 <sup>5)</sup>	–	22 <sup>5)</sup>	0.34 <sup>5)</sup>	–	22 <sup>3)5)</sup>	–	0.34 <sup>5)</sup>	–	–	
			1.3	1.00	–	20	0.50	–	20 <sup>3)</sup>	–	0.50	–	–	
			1.6	1.40	–	16	1.00	–	18	–	1.00	–	–	
			2.0	1.80	–	14	1.50	–	16	–	1.50	–	–	
			3.0	2.70	–	10	4.00	–	12	–	4.00	–	–	
			4.0	3.70	–	10	6.00	–	10	–	6.00	–	–	
			6.0	5.20	–	–	–	8	–	10.00	–	–		
Crimp  fig. 1   fig. 2 	<b>C</b>	<b>M</b>	0.5 <sup>4)</sup>	0.45	1	–	–	32	28	0.035	0.09	12	●	
	<b>C</b>	<b>M</b>	0.7	0.80	1	–	–	26	22 <sup>3)</sup>	0.140	0.34	22	●	
	<b>B</b>	<b>P</b>	0.7	0.45	2	–	–	32	28	0.035	0.09	22	○	
	<b>C</b>	<b>M</b>	0.9	1.10	1	–	–	24	20	0.250	0.50	30	●	
	<b>B</b>	<b>P</b>	0.9	0.80	2	–	–	26	22 <sup>3)</sup>	0.140	0.34	30	○	
	<b>G</b>	<b>U</b>	0.9	0.45	2	–	–	32	28	0.035	0.09	30	○	
	<b>C</b>	<b>M</b>	1.3	1.40	1	–	–	20	18	0.500	1.00	40	●	
	<b>B</b>	<b>P</b>	1.3	1.10	2	–	–	24	20	0.250	0.50	40	○	
	<b>G</b>	<b>U</b>	1.3	0.80	2	–	–	26	22 <sup>3)</sup>	0.140	0.34	40	○	
	<b>C</b>	<b>M</b>	1.6	1.90	1	–	–	18	14 <sup>3)</sup>	1.000	1.50	50	●	
	<b>B</b>	<b>P</b>	1.6	1.40	2	–	–	22	18	0.340	1.00	50	○	
	<b>C</b>	<b>M</b>	2.0	2.40	1	–	–	16	12 <sup>3)</sup>	1.500	2.50	65	●	
	<b>B</b>	<b>P</b>	2.0	1.90	2	–	–	18	14	1.000	1.50	65	○	
	<b>C</b>	<b>M</b>	3.0	3.20	1	–	–	14	10 <sup>3)</sup>	2.500	4.00	75	●	
<b>C</b>	<b>M</b>	4.0	4.00	1	–	–	12	10	4.000	6.00	90	●		

**Note:**

- 1) contact retention force in the insulator (according to IEC 60512-8 test 15 a).
- 2) for 00/TT multipole series.
- 3) for a given AWG, the diameter of some stranded conductor designs is larger than the solder cup diameter. Make sure that the maximum conductor diameter is smaller than ø C.
- 4) for 00 /TT multipole series or for 0B/0T and 1B/1T series with male contacts.
- 5) for 0B.302/0B.303, 0K.302/0K.303 and 0T.302/0T.303 ø C = 1.0 mm, AWG max 20, section max (mm<sup>2</sup>) 0.50.
- 6) for 00/TT and 1B/1K/1T series, according to manufacturing and plating tolerance ø C min = 0.43 mm.

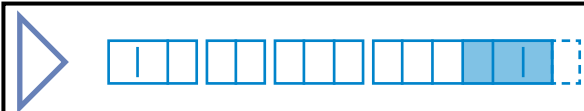
● First choice alternative      ○ Special order alternative

### Contacts reference for plugs, free or fixed sockets

Contact type	Reference		Contact			Conductor				F <sub>r</sub> <sup>1)</sup> (N)	Notes	
	Male	Female	ø A (mm)	ø C (mm)	Form per fig.	Solid		Stranded				
						AWG max.	Section max. (mm <sup>2</sup> )	AWG				Section (mm <sup>2</sup> )
								min.	max.	min.	max.	
<b>Print</b> 	<b>D</b>	<b>N</b>	L dimensions and C are detailed in the section on PCB drilling pattern. See page 163.									●
<b>Print (elbow)</b> 	<b>V</b>	<b>V</b>	L dimensions and C are detailed in the section on PCB drilling pattern. See page 164.									●

**Note:** <sup>1)</sup> contact retention force in the insulator (according to IEC 60512-8 test 15 a).

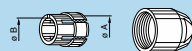
● First choice alternative    ○ Special order alternative



## Collets (B, K and T series)

### D and M type collets for B series

D type



M type

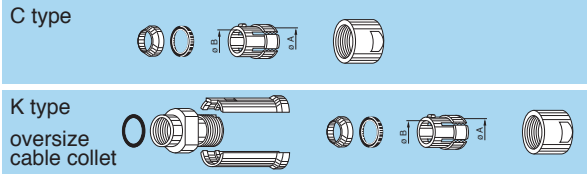


	Reference		Collet $\varnothing$		Cable $\varnothing$		Notes
	Type	Code	$\varnothing$ A	$\varnothing$ B	max.	min.	
<b>00</b>	D	22	2.2	–	2.2	1.4	
	D	27	2.7	–	2.7	> 2.2	
	D	35	3.5	2.8	3.5	> 2.7	
<b>0B</b>	D	22	2.1	–	2.2	1.4	2)
	D	32	3.2	–	3.2	> 2.2	
	D	42	4.2	–	4.2	> 3.2	
	D	52	5.2	4.7	5.2	> 4.2	
	D	56	5.6	4.7	5.6	> 5.2	1)
<b>1B</b>	M	27	2.7	–	2.7	> 2.2	
	M	31	3.1	–	3.1	> 2.7	
	D	42	4.2	–	4.2	3.1	
	D	52	5.2	–	5.2	> 4.2	
	D	62	6.2	–	6.2	> 5.2	
	D	72	7.2	6.2	7.2	> 6.2	
<b>XB</b>	D	52	5.2	7.2	5.0	4.4	
	D	62	6.2	7.2	6.0	5.4	
	D	72	7.2	7.2	7.0	6.4	
	D	82	8.2	7.2	8.0	7.4	1)
<b>2B</b>	M	21	2.1	–	2.2	1.4	3)
	M	32	3.1	–	3.2	> 2.2	3)
	D	42	4.2	–	4.2	> 3.2	
	D	52	5.2	–	5.2	> 4.2	
	D	62	6.2	–	6.2	> 5.2	
	D	72	7.2	–	7.2	> 6.2	
	D	82	8.2	–	8.2	> 7.2	
	D	92	9.2	8.6	9.2	> 8.2	
	D	99	9.9	8.6	9.9	> 9.2	1)
<b>3B</b>	M	52	5.2	–	5.2	> 4.2	4)
	D	62	6.2	–	6.2	4.9	
	D	72	7.7	–	7.7	> 6.2	
	D	92	9.2	–	9.2	> 7.7	
	D	10	10.2	–	10.0	> 9.2	
	D	11	11.0	–	11.0	> 10.1	
	D	12	12.0	10.2	11.9	10.8	1)
<b>4B</b>	M	62	6.2	–	6.2	> 5.2	5)
	M	72	7.2	–	7.2	> 6.2	5)
	M	82	8.2	–	8.2	> 7.2	5)
	M	92	9.2	8.6	9.2	> 8.2	6)
	D	10	10.8	–	10.5	9.1	
	D	12	12.3	–	12.0	10.6	
	D	13	13.8	12.5	13.5	12.1	
<b>5B</b>	D	15	15.3	12.5	15.0	13.6	7)
	D	16	16.3	12.5	16.0	15.1	1)
	D	11	11.8	–	11.5	9.6	
	D	13	13.8	–	13.5	11.6	
	D	15	15.8	–	15.5	13.6	7)
	D	17	17.8	–	17.5	15.6	1)
	D	19	19.8	–	19.5	17.6	1)
D	21	21.8	–	21.5	19.6	1)	
D	23	23.8	21.8	23.5	21.6	1)	
D	25	25.3	21.8	25.0	23.6	1)	

**Note:** all dimensions are in millimetres.

- 1) these collets cannot be used for connector models with nut for fitting a bend relief. No bend relief available for this cable size.
- 2) the inner diameter of the smallest bend relief available is 2.5 mm (in TPU) / 1.7mm (in silicone).
- 3) for 0B bend relief.
- 4) for 1B bend relief.
- 5) for 2B bend relief.
- 6) for 4B bend relief.
- 7) the inner diameter of the largest bend relief available is 14.5 mm.

## C and K type collets for K series



	Reference		Collet $\varnothing$		Cable $\varnothing$		Notes
	Type	Code	$\varnothing$ A	$\varnothing$ B	max.	min.	
<b>0K</b>	C	10	1.6	–	1.2	1.0	1)
	C	15	1.6	–	1.5	1.3	1)
	C	20	2.1	–	2.0	1.6	1)
	C	25	3.1	–	2.5	2.1	
	C	30	3.1	–	3.0	2.6	
	C	35	4.2	4.2	3.5	3.1	
	C	40	4.2	4.2	4.0	3.6	
	C	45	5.2	5.2	4.5	4.1	
	C	50	5.2	5.2	5.0	4.6	
<b>1K</b>	C	15	1.6	–	1.5	1.3	
	C	20	2.2	–	2.0	1.6	
	C	25	3.2	–	2.5	2.1	
	C	30	3.2	–	3.0	2.6	
	C	35	4.2	–	3.5	3.1	
	C	40	4.2	–	4.0	3.6	
	C	45	5.2	–	4.5	4.1	
	C	50	5.2	–	5.0	4.6	
	C	55	6.2	6.2	5.5	5.1	
	C	60	6.2	6.2	6.0	5.6	
	C	65	7.2	6.7	6.5	6.1	
	K	70	7.2	–	7.0	6.6	3)
	K	75	8.2	8.2	7.5	7.1	3)
	K	80	8.2	8.2	8.0	7.6	3)
	K	85	9.2	8.6	8.5	8.1	3)
<b>2K</b>	C	15	2.2	–	1.5	1.3	
	C	20	2.2	–	2.0	1.6	
	C	25	3.2	–	2.5	2.1	
	C	30	3.2	–	3.0	2.6	
	C	35	4.2	–	3.5	3.1	
	C	40	4.2	–	4.0	3.6	
	C	45	5.2	–	4.5	4.1	
	C	50	5.2	–	5.0	4.6	
	C	55	6.2	–	5.5	5.1	
	C	60	6.2	–	6.0	5.6	
	C	65	7.2	–	6.5	6.1	
	C	70	7.2	–	7.0	6.6	
	C	75	8.2	–	7.5	7.1	
	C	80	8.2	–	8.0	7.6	

	Reference		Collet $\varnothing$		Cable $\varnothing$		Notes	
	Type	Code	$\varnothing$ A	$\varnothing$ B	max.	min.		
<b>2K</b>	C	70	7.2	–	7.0	6.6		
	C	75	8.2	8.2	7.5	7.1		
	C	80	8.2	8.2	8.0	7.6		
	C	85	9.2	8.6	8.5	8.1		
	K	90	9.2	–	9.0	8.6	4)	
	K	95	10.2	10.2	9.5	9.1	4)	
	K	10	10.2	10.2	10.0	9.6	4)	
	K	11	11.2	10.6	10.5	10.1	4)	
	<b>3K</b>	C	30	3.2	–	3.0	2.6	
		C	35	4.2	–	3.5	3.1	
		C	40	4.2	–	4.0	3.6	
C		45	5.2	–	4.5	4.1		
C		50	5.2	–	5.0	4.6		
C		55	6.2	–	5.5	5.1		
C		60	6.2	–	6.0	5.6		
C		65	7.2	–	6.5	6.1		
C		70	7.2	–	7.0	6.6		
C		75	8.2	–	7.5	7.1		
C		80	8.2	–	8.0	7.6		
C		85	9.2	–	8.5	8.1		
C		90	9.2	–	9.0	8.6		
C		95	10.2	10.2	9.5	9.1		
C		10	10.2	10.2	10.0	9.6		
C	11	11.2	10.6	10.5	10.1			
K	11	12.3	–	12.0	10.6	5)		
K	12	13.8	13.8	12.8	12.1	5)		
K	13	13.8	13.8	13.5	12.9	5)		
K	14	15.3	15.3	14.0	13.6	5)		
K	15	15.3	15.3	15.0	14.1	2)		

**Note:** all dimensions are in millimetres.

1) the inner diameter of the smallest bend relief available is 2.5 mm (in TPU) / 1.7mm (in silicone).

2) the inner diameter of the largest bend relief available is 14.5 mm.

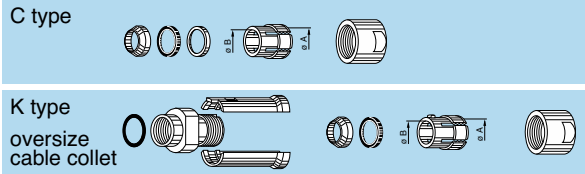
3) for 2B bend relief.

4) for 3B bend relief.

5) for 4B bend relief.



## C and K type collets for K series



	Reference		Collet $\varnothing$		Cable $\varnothing$		Notes
	Type	Code	$\varnothing$ A	$\varnothing$ B	max.	min.	
<b>4K</b>	C	50	6.3	–	5.0	4.6	
	C	55	6.3	–	5.5	5.1	
	C	60	6.3	–	6.0	5.6	
	C	65	7.3	–	6.5	6.1	
	C	70	7.3	–	7.0	6.6	
	C	75	8.3	–	7.5	7.1	
	C	80	8.3	–	8.0	7.6	
	C	85	9.3	–	8.5	8.1	
	C	90	9.3	–	9.0	8.6	
	C	95	10.8	–	9.5	9.1	
	C	10	10.8	–	10.5	9.6	
	C	11	12.3	–	12.0	10.6	
	C	12	13.8	13.8	12.8	12.1	
	C	13	13.8	13.8	13.5	12.9	
	C	14	15.3	15.3	14.0	13.6	
	C	15	15.3	15.3	15.0	14.1	2)
	K	16	17.8	–	16.5	15.6	1)
	K	17	17.8	–	17.5	16.6	1)
	K	18	19.8	–	18.5	17.6	1)
	K	19	19.8	–	19.5	18.6	1)
	K	20	21.8	–	20.5	19.6	1)
	K	21	21.8	–	21.5	20.6	1)
	K	22	23.8	23.8	22.5	21.6	1)
K	23	23.8	23.8	23.5	22.6	1)	

	Reference		Collet $\varnothing$		Cable $\varnothing$		Notes
	Type	Code	$\varnothing$ A	$\varnothing$ B	max.	min.	
<b>5K</b>	C	10	11.8	–	10.5	9.6	
	C	11	11.8	–	11.5	10.6	
	C	12	13.8	–	12.5	11.6	
	C	13	13.8	–	13.5	12.6	
	C	14	15.8	–	14.5	13.6	
	C	15	15.8	–	15.5	14.6	1)
	C	16	17.8	–	16.5	15.6	1)
	C	17	17.8	–	17.5	16.6	1)
	C	18	19.8	–	18.5	17.6	1)
	C	19	19.8	–	19.5	18.6	1)
	C	20	21.8	–	20.5	19.6	1)
	C	21	21.8	–	21.5	20.6	1)
	C	22	23.8	23.8	22.5	21.6	1)
	C	23	23.8	23.8	23.5	22.6	1)

**Note:** all dimensions are in millimetres.

<sup>1)</sup> these collets cannot be used for connector models with nut for fitting a bend relief. No bend relief available for this cable size.

<sup>2)</sup> the inner diameter of the largest bend relief available is 14.5 mm.



## C and K type collets for T series

C type



	Reference		Cable $\varnothing$ (mm)		Notes
	Type	Code	max.	min.	
<b>TT</b>	C	27	2.6	2.4	
	C	31	3.0	2.7	
<b>OT</b>	C	10	1.2	1.0	1)
	C	15	1.5	1.3	1)
	C	20	2.0	1.6	1)
	C	25	2.5	2.1	
	C	30	3.0	2.6	
	C	35	3.5	3.1	
	C	40	4.0	3.6	
	C	45	4.5	4.1	
	C	50	5.0	4.6	
	<b>1T</b>	C	15	1.5	1.3
C		20	2.0	1.6	
C		25	2.5	2.1	
C		30	3.0	2.6	
C		35	3.5	3.1	
C		40	4.0	3.6	
C		45	4.5	4.1	
C		50	5.0	4.6	
C		55	5.5	5.1	
C		60	6.0	5.6	
C		65	6.5	6.1	
K		70	7.0	6.6	2)
K		75	7.5	7.1	2)
K		80	8.0	7.6	2)
K	85	8.5	8.1	2)	
<b>2T</b>	C	15	1.5	1.3	
	C	20	2.0	1.6	
	C	25	2.5	2.1	
	C	30	3.0	2.6	
	C	35	3.5	3.1	
	C	40	4.0	3.6	
	C	45	4.5	4.1	
	C	50	5.0	4.6	

	Reference		Cable $\varnothing$ (mm)		Notes
	Type	Code	max.	min.	
<b>2T</b>	C	55	5.5	5.1	
	C	60	6.0	5.6	
	C	65	6.5	6.1	
	C	70	7.0	6.6	
	C	75	7.5	7.1	
	C	80	8.0	7.6	
	C	85	8.5	8.1	
	K	90	9.0	8.6	3)
	K	95	9.5	9.1	3)
	K	10	10.0	9.6	3)
	K	11	10.5	10.1	3)
<b>3T</b>	C	30	3.0	2.6	
	C	35	3.5	3.1	
	C	40	4.0	3.6	
	C	45	4.5	4.1	
	C	50	5.0	4.6	
	C	55	5.5	5.1	
	C	60	6.0	5.6	
	C	65	6.5	6.1	
	C	70	7.0	6.6	
	C	75	7.5	7.1	
	C	80	8.0	7.6	
	C	85	8.5	8.1	
	C	90	9.0	8.6	
	C	95	9.5	9.1	
	C	10	10.0	9.6	
K	11	12.0	10.6		
K	12	12.8	12.1		
K	13	13.5	12.9		
K	14	14.0	13.6		
K	15	15.0	14.1	4)	

**Note:** all dimensions are in millimetres.

<sup>1)</sup> the inner diameter of the smallest bend relief available is 2.5 mm (in TPU) / 1.7mm (in silicone).

<sup>2)</sup> for 2B bend relief.

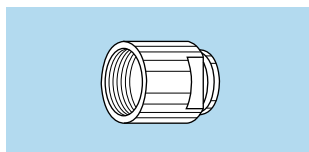
<sup>3)</sup> for 3B bend relief.

<sup>4)</sup> the inner diameter of the largest bend relief available is 14.5 mm.

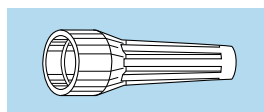


## Variant (B, K and T series)

### Bend relief for B series models with collet

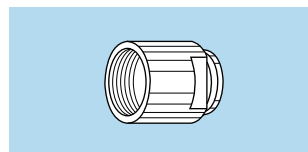


#### Need to be ordered

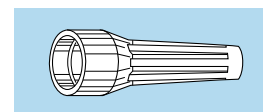


	Ref.	Collet		Need to be ordered separately (see pages 145 and 146)
		Type	Code	
<b>00</b>	Z	D	22 to 35	GMA.00.●●●●●● GMB.00.●●●●●●
<b>0B</b>	Z	D	22 to 52	GMA.0B.●●●●●●
<b>1B</b>	Z	M	27 and 31	GMA.1B.●●●●●●
		D	42 to 72	GMA.1B.●●●●●●
<b>XB</b>	Z	D	52 to 72	GMA.1B.●●●●●●
<b>2B</b>	Z	M	21 and 32	GMA.0B.●●●●●●
		D	42 to 92	GMA.2B.●●●●●●
<b>3B</b>	Z	M	52	GMA.1B.●●●●●●
		D	62 to 10	GMA.3B.●●●●●●
<b>4B</b>	Z	M	62 to 82	GMA.2B.●●●●●●
		M	92	GMA.4B.●●●●●●
		D	10 to 15 <sup>1)</sup>	GMA.4B.●●●●●●
<b>5B</b>	Z	D	11 to 15 <sup>1)</sup>	GMA.4B.●●●●●●

### Bend relief for K series models with collet



#### Need to be ordered



	Ref.	Collet		Need to be ordered separately (see pages 145 and 146)
		Type	Code	
<b>0K</b>	Z	C	10 to 50	GMA.0B.●●●●●●
<b>1K</b>	Z	C	15 to 65	GMA.1B.●●●●●●
		K	70 to 85	GMA.2B.●●●●●●
<b>2K</b>	Z	C	15 to 85	GMA.2B.●●●●●●
		K	90 to 10	GMA.3B.●●●●●●
<b>3K</b>	Z	C	30 to 10	GMA.3B.●●●●●●
		K	11 to 15 <sup>2)</sup>	GMA.4B.●●●●●●
<b>4K</b>	Z	C	50 to 15 <sup>3)</sup>	GMA.4B.●●●●●●
<b>5K</b>	Z	C	10 to 14	GMA.4B.●●●●●●

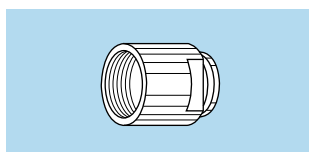
**Note:** all dimensions are in millimetres.

<sup>1)</sup> for D15 see page 67.

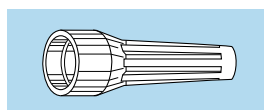
<sup>2)</sup> for K15 see page 68.

<sup>3)</sup> for C15 see page 69.

### Bend relief for T series models with collet



#### Need to be ordered



	Ref.	Collet		Need to be ordered separately (see pages 145 and 146)
		Type	Code	
<b>TT</b>	Z	C	27 and 31	GMB.00.●●●●●●
<b>0T</b>	Z	C	10 to 50	GMA.0B.●●●●●●
<b>1T</b>	Z	C	15 to 65	GMA.1B.●●●●●●
		K	70 to 85	GMA.2B.●●●●●●

	Ref.	Collet		Need to be ordered separately (see pages 145 and 146)
		Type	Code	
<b>2T</b>	Z	C	15 to 85	GMA.2B.●●●●●●
		K	90 to 10	GMA.3B.●●●●●●
<b>3T</b>	Z	C	30 to 10	GMA.3B.●●●●●●
		K	11 to 15 <sup>4)</sup>	GMA.4B.●●●●●●

**Note:** all dimensions are in millimetres.

<sup>4)</sup> for K15 see page 70.

### Colour of the bridge plug shells and connectors shell made of plastic material and aluminium alloys

Ref.	Colour	Bridge plug and plastic shell			Aluminium alloys	
		PSU	PPSU	PA.6	Anodized colour	Anodized colour for bend relief collet nut
A	blue			●	●	
B	white	●		●		
G	grey	●		●		
J	yellow			●	●	
M	brown			●		
N	black			●	●	
R	red			●	●	
S	orange			●		
T	natural				●	
V	green			●	●	
L	black					●
X	natural					●
F	cream		●			

**Note:** other anodizing colours are available for connectors with collet nut for bend relief. Please consult us.

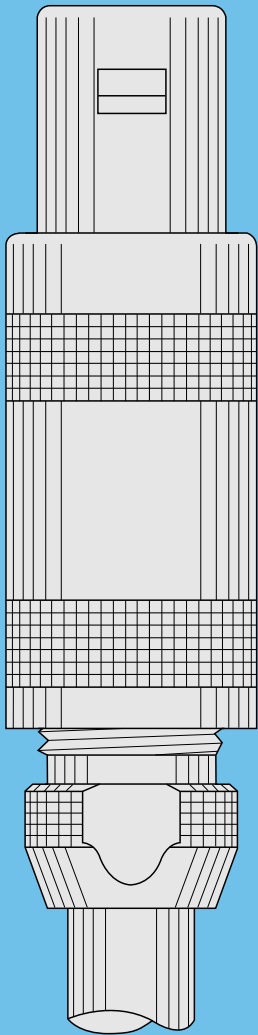
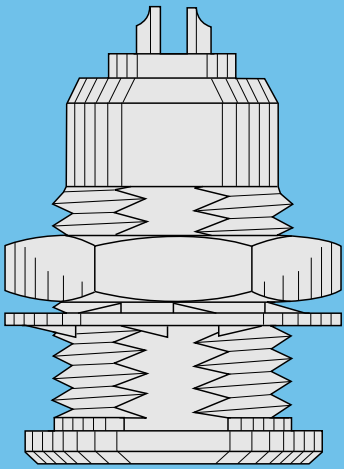
### Watertight and vacuumtight socket and coupler models (B, K and T series)

	Reference		Model
	Watertight	Vacuumtight	
<b>B</b>	<b>P</b>	<b>PV</b>	YH●, HG●, HN●, HH●, HC●, HE●, HM●, S●●
<b>K</b>	<b>P</b>	<b>PV</b>	HG●, HE●, S●●
<b>T</b>	<b>P</b>	<b>PV</b>	HG●, HE●, HM●

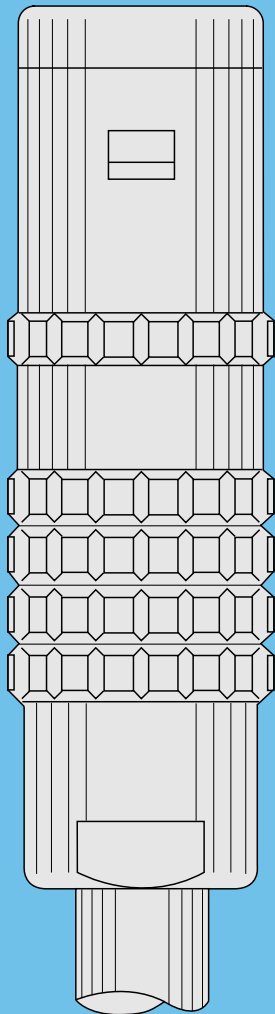
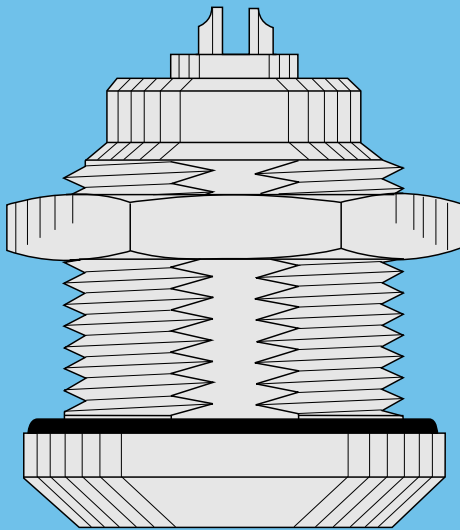
### O-ring and gasket material (K and T series)

Standard connectors are delivered with silicone o-ring and gaskets. The vacuumtight models, identified with the letter «PV», are delivered with Viton® gaskets. Other gaskets material can be delivered upon special request.

Ref.	O-ring material
<b>H</b>	FPM (Viton®)
<b>E</b>	EPDM
<b>D</b>	FPM (Viton®) and collet nut for bend relief



**S SERIES**



**E SERIES (watertight)**

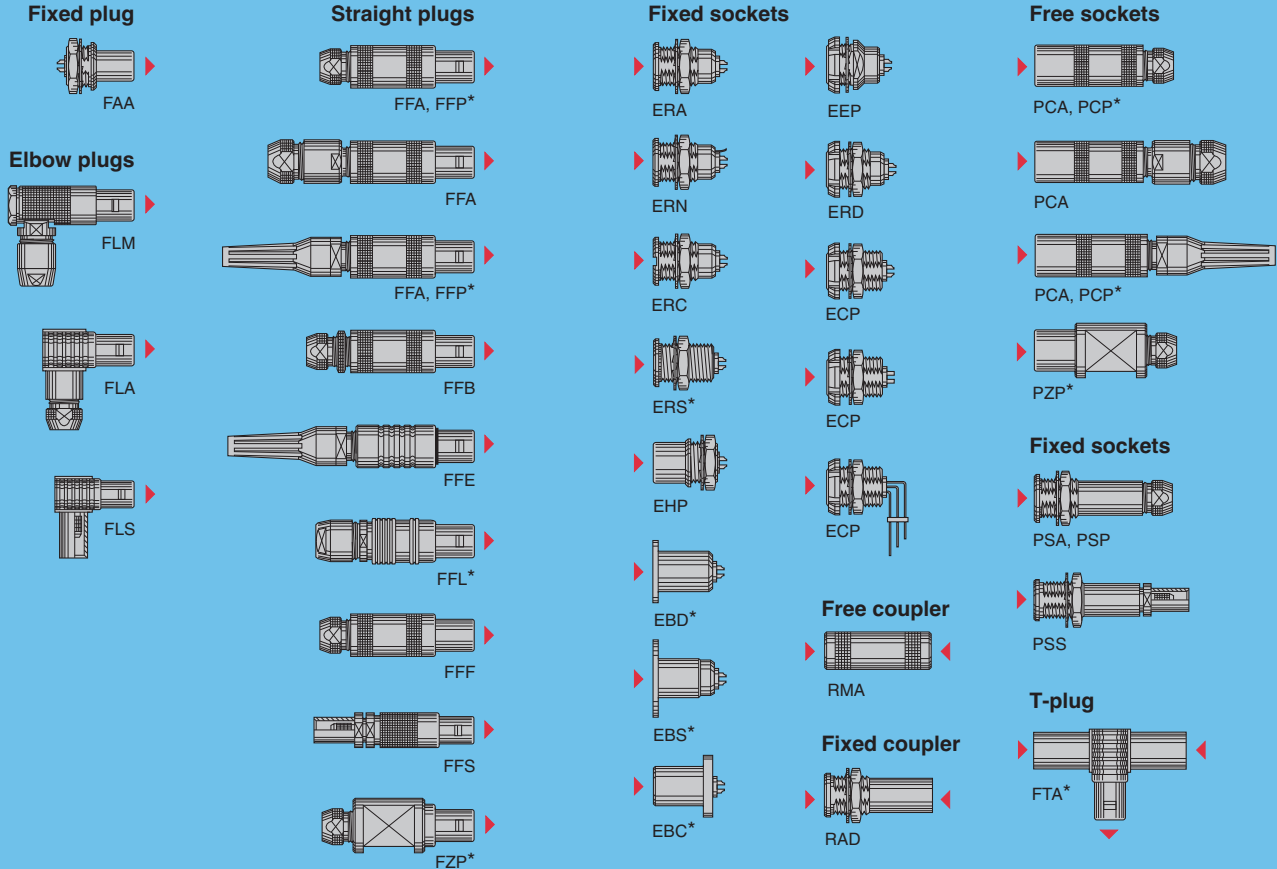
# S Series

S series connectors have main features as follows:

- security of the Push-Pull self-latching system
- unipole types transmitting current up to 230 A and multipole types with up to 106 contacts
- 360° screening for full EMC shielding.

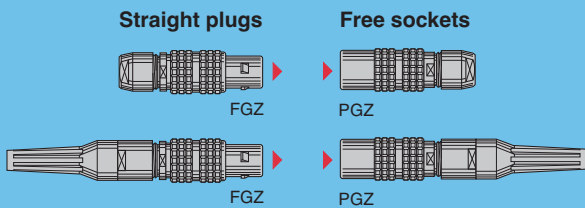
- solder or print contacts (straight or elbow)
- polarisation by stepped insert (half-moon) fitted with male and female contacts

## Metal housing models (page 76)

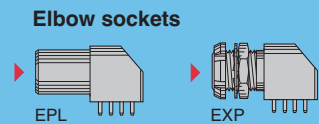


Note: \* Contact LEMO for details.

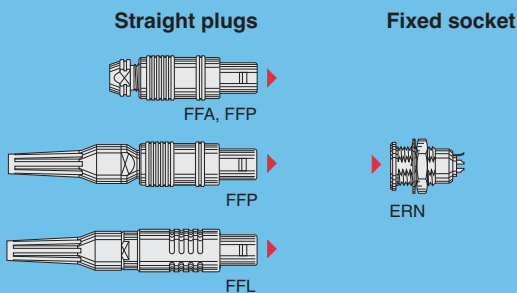
## New design models (page 86)



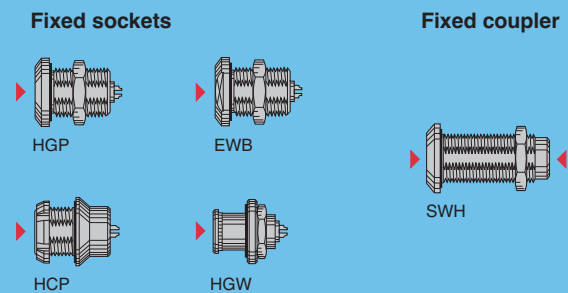
## Elbow socket models (page 87)



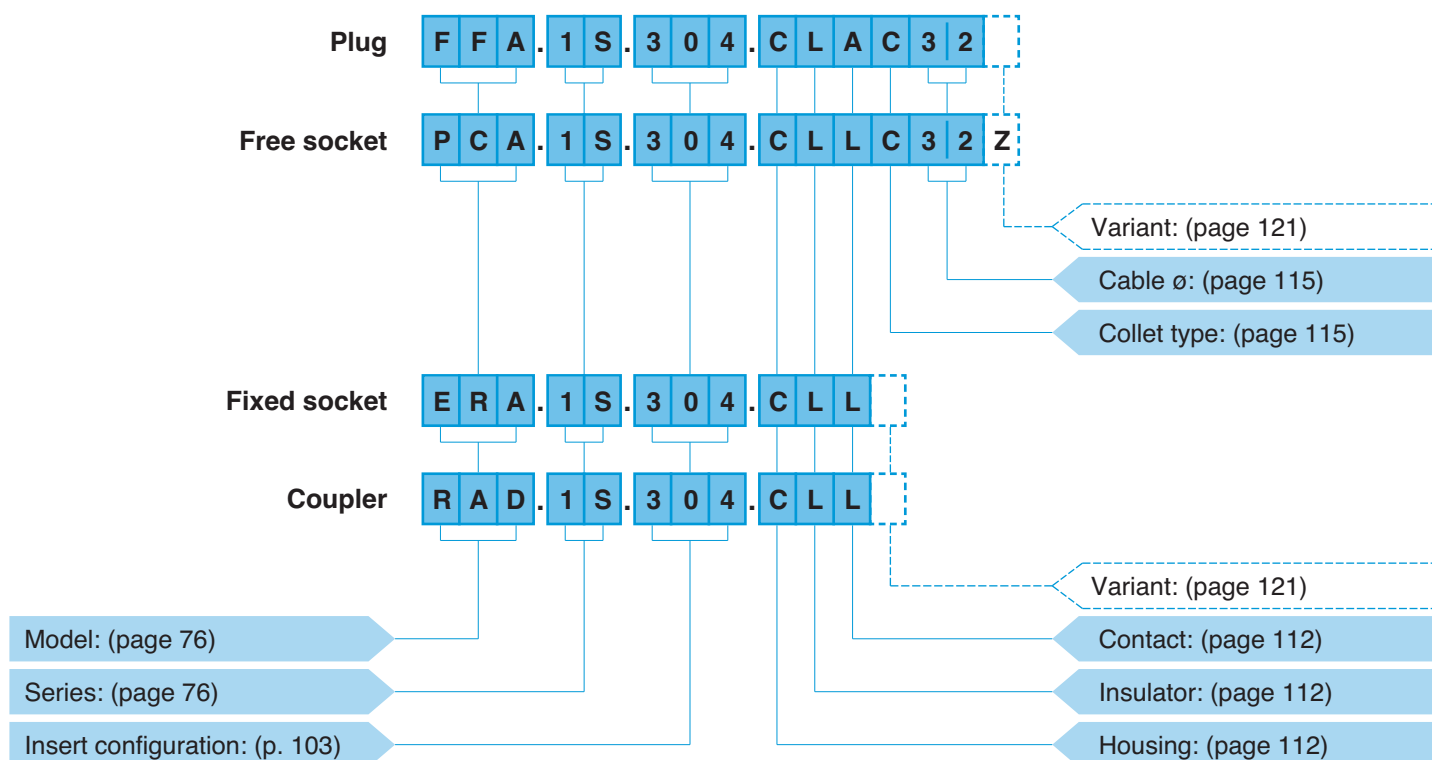
## Plastic housing models (page 89)



## Watertight or vacuumtight models (page 91)



## Part Numbering System



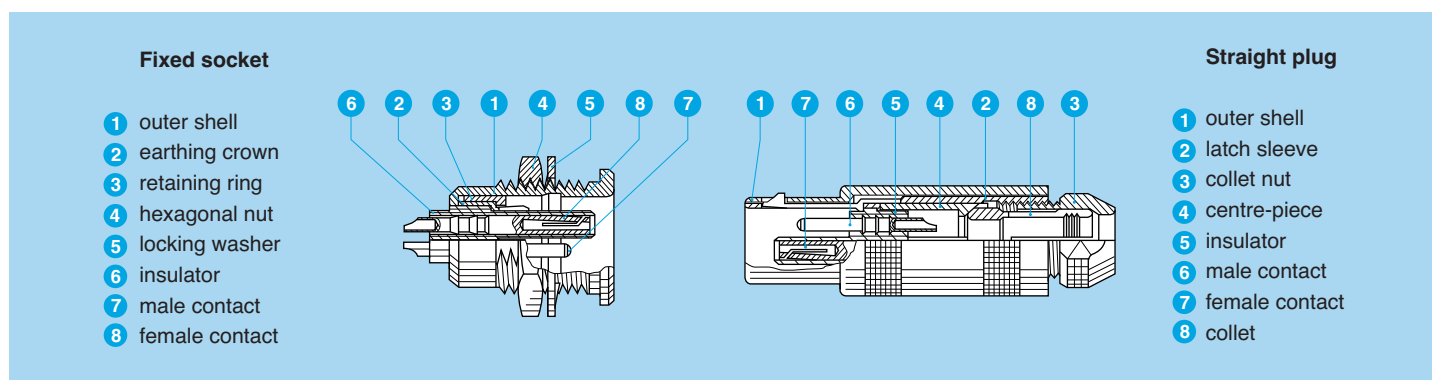
**FFA.1S.304.CLAC32** = straight plug with cable collet, 1S series, multipole type with 4 contacts, outer shell in chrome-plated brass, PEEK insulator, 2 male and 2 female solder contacts, C type collet for a 3.2 mm diameter cable.

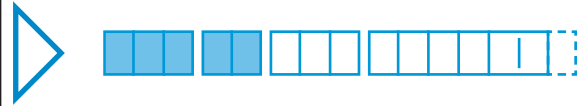
**PCA.1S.304.CLLC32Z** = free socket, with cable collet, 1S series, multipole type with 4 contacts, outer shell in chrome-plated brass, PEEK insulator, 2 female and 2 male solder contacts, C type collet for a 3.2 mm diameter cable and nut for fitting a bend relief.

**ERA.1S.304.CLL** = fixed socket, nut fixing, 1S series, multipole type with 4 contacts, outer shell in chrome-plated brass, PEEK insulator, 2 female and 2 male solder contacts.

**RAD.1S.304.CLL** = straight coupler, nut fixing, 1S series, multipole type with 4 contacts, outer shell in chrome-plated brass, PEEK insulator, 2 female and 2 male contacts each end.

## Part Section Showing Internal Components





## Metal housing models

### Technical Characteristics

#### Mechanical and Climatrical

Characteristics	Value	Standard
Endurance <sup>1)</sup>	> 5000 cycles	IEC 60512-5 test 9a
Humidity	up to 95% at 60° C	
Temperature range	- 55° C, + 250° C	
Resistance to vibrations	10-2000 Hz, 15g	IEC 60512-4 test 6d
Shock resistance	100 g, 6 ms	IEC 60512-4 test 6c
Salt spray corrosion test	> 1000h	IEC 60512-6 test 11f
Protection index (mated)	IP 50	IEC 60529
Climatrical category	55/175/21	IEC 60068-1

#### Electrical

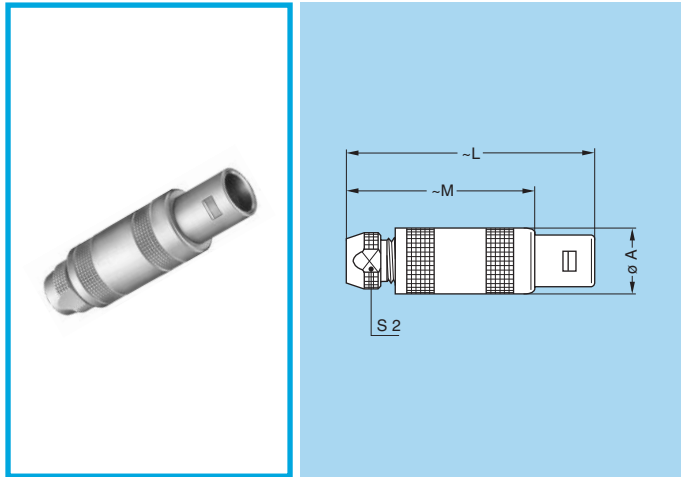
Characteristics	Value	Standard	
Shielding efficiency	at 10 MHz	> 75 dB	IEC 60169-1-3
	at 1 GHz	> 40 dB	IEC 60169-1-3

#### Note:

The various tests have been carried out with FFA and ERA connector pairs, with chrome-plated brass shell and PEEK insulator. Detailed electrical characteristics, as well as materials and treatment are presented in the chapter Technical Characteristics on page 182.

<sup>1)</sup> see page 189, contact resistance after mating cycles. See page 185, mechanical endurance latching force.

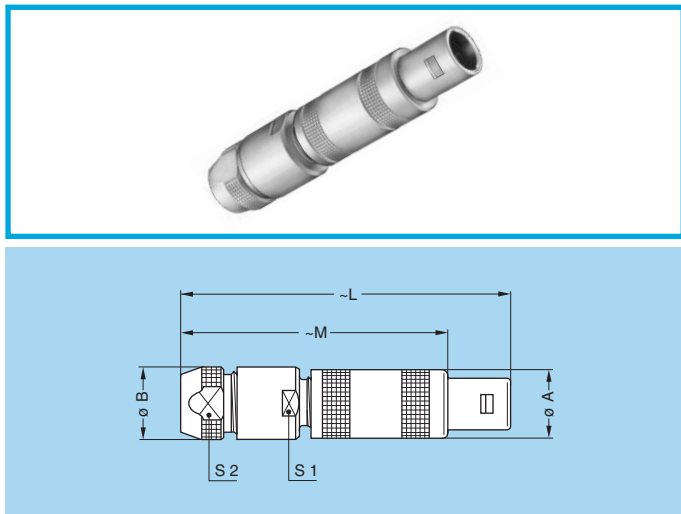
### FFA Straight plug, cable collet



Reference		Dimensions (mm)			
Model	Series	A	L	M	S2
FFA	00	6.4	26.0	18.0	4.5
FFA	0S	9.0	34.5	24.5	6.5
FFA	1S	12.0	42.5	31.5	8.5
FFA	2S	14.8	52.0	40.0	11.0
FFA	3S	17.8	61.0	46.0	14.0
FFA	4S	24.8	77.0	59.0	19.0
FFA	5S	35.0	103.0	78.0	29.0
FFA	6S	46.0	106.0	81.0	38.0

**M1** Cable assembly (pages 175 to 177)

### FFA Straight plug with oversize cable collet <sup>1)</sup>



Reference		Dimensions (mm)					
Model	Series	A	B	L	M	S1	S2
FFA	00	6.4	8.0	34.0	26.0	7.0	6.5
FFA	0S	9.0	10.0	45.5	35.5	9.0	8.5
FFA	1S	12.0	13.0	57.0	46.0	12.0	11.0
FFA	2S	14.8	18.0	67.0	55.0	14.0	14.0
FFA	3S	17.8	21.0	85.0	70.0	19.0	19.0
FFA	4S	24.8	31.8	107.0	89.0	28.5	29.0
FFA	5S	35.0	41.8	138.0	113.0	37.5	38.0

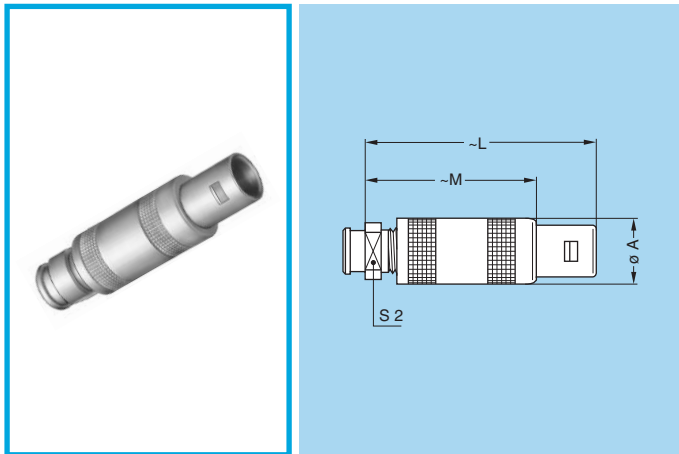
**M2** Cable assembly (pages 175 and 178)

**Note:** <sup>1)</sup> correspond to K type of collet, the fitting of oversize collets onto this model allows them to be fitted to the cables that can be accommodated by the next housing size up (see page 115).





### FFA Straight plug, cable collet and nut for fitting a bend relief <sup>1)</sup>

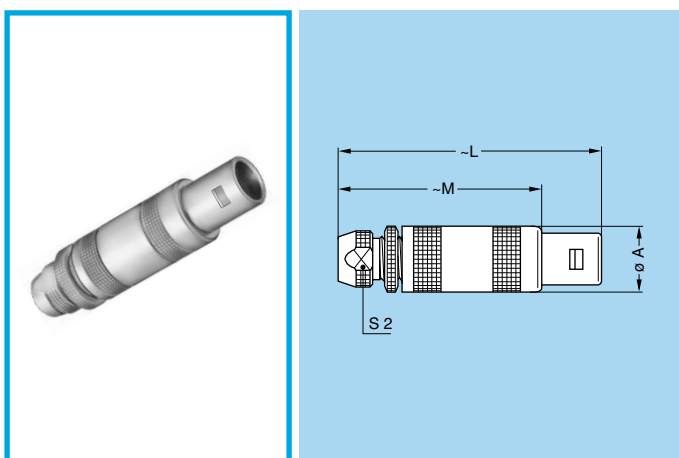


Reference		Dimensions (mm)			
Model	Series	A	L	M	S2
FFA	00	6.4	26.0	18.0	6
FFA	0S	9.0	34.5	24.5	7
FFA	1S	12.0	42.5	31.5	9
FFA	2S	14.8	52.0	40.0	12
FFA	3S	17.8	61.0	46.0	14
FFA	4S	24.8	77.0	59.0	20

**M1** Cable assembly (pages 175 and 176)

**Note:** <sup>1)</sup> to order, add a «Z» at the end of the reference. The bend relief must be ordered separately (see page 145).

### FFB Straight plug, cable collet and safety locking ring

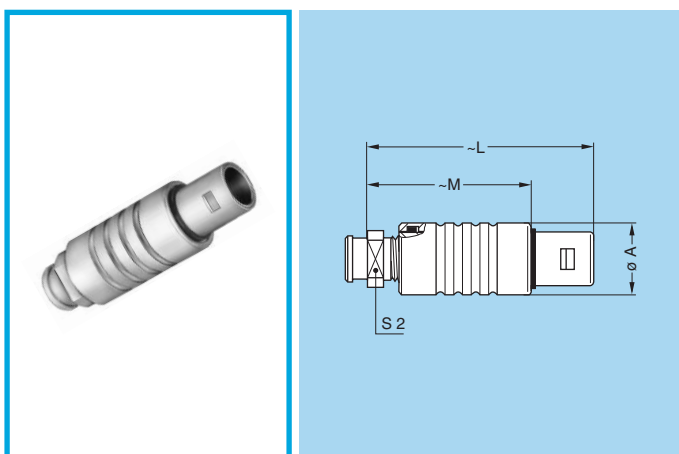


Reference		Dimensions (mm)			
Model	Series	A	L	M	S2
FFB	0S	9.0	36.8	26.8	6.5
FFB	1S	12.0	45.0	34.0	8.5
FFB	2S	14.8	55.5	43.5	11.0
FFB	3S	17.8	65.0	50.0	14.0

**M1** Cable assembly (pages 175 and 176)

**Note:** nut for fitting a bend relief (available only for size 1S).

### FFE Straight plug, cable collet, front seal and nut for fitting a bend relief <sup>1)</sup> (protected to IP54 when mated)

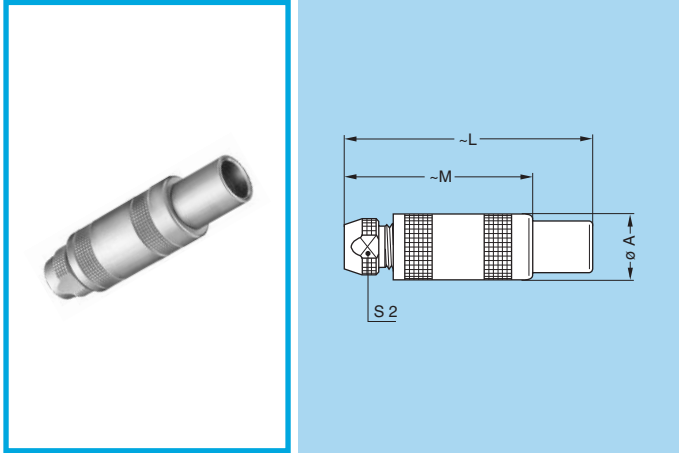


Reference		Dimensions (mm)			
Model	Series	A	L	M	S2
FFE	00	7.4	26.0	18.0	6
FFE	0S	10.0	34.5	24.5	7
FFE	1S	13.0	42.5	31.5	9
FFE	2S	16.0	52.0	40.0	12
FFE	3S	19.0	61.0	46.0	14

**M1** Cable assembly (pages 175 and 176)

**Note:** <sup>1)</sup> to order, add a «Z» at the end of the reference. The bend relief must be ordered separately (see page 145).

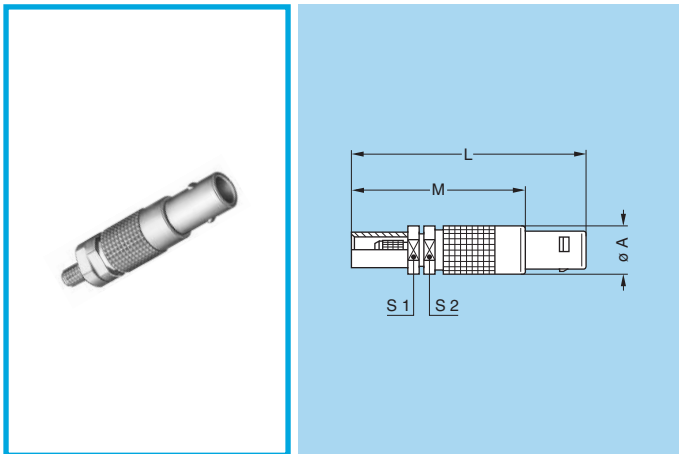
### FFF Straight plug, non-latching, cable collet



Reference		Dimensions (mm)			
Model	Series	A	L	M	S2
FFF	00	6.4	26.0	18.0	4.5
FFF	0S	9.0	34.5	24.5	6.5
FFF	1S	12.0	42.5	31.5	8.5
FFF	2S	14.8	52.0	40.0	11.0

**M1** Cable assembly (pages 175 and 176)

### FFS Straight plug for cable crimping

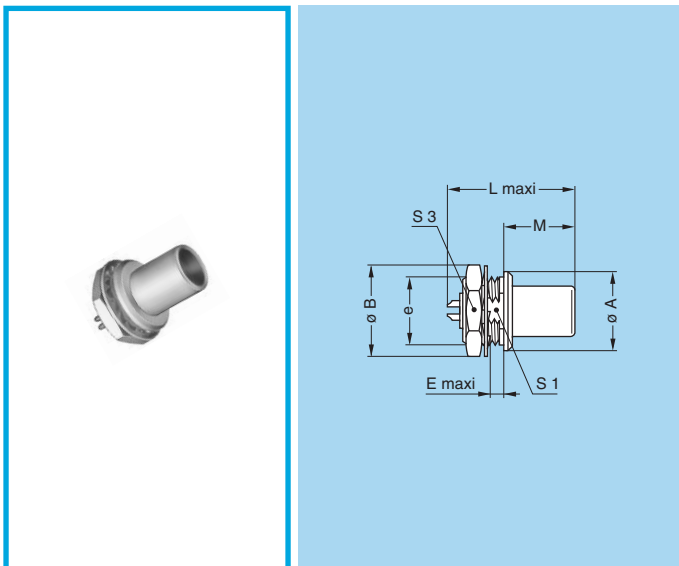


Reference		Dimensions (mm)				
Model	Series	A	L	M	S1	S2
FFS	00	6.4	31	23	5.5	5.5

**M5** Cable assembly (page 175)

**Note:** Model available only with crimp backnut E31 similar to 00.250 series.

### FAA Fixed plug non-latching, nut fixing



Reference		Dimensions (mm)								
Model	Series	A	B	e	E	L	L <sup>1)</sup>	M	S1	S3
FAA	00	8	10.2	M7x0.5	2.0	–	15.5	9.0	6.3	9
FAA	0S	10	12.4	M9x0.6	2.0	18.5	18.0	11.2	8.2	11
FAA	1S	14	15.8	M12x1.0	2.5	22.5	21.7	12.5	10.5	14
FAA	2S	18	19.2	M15x1.0	4.0	25.0	25.3	13.8	13.5	17
FAA	3S	22	25.0	M18x1.0	4.0	31.0	29.0	17.0	16.5	22
FAA	4S	28	34.0	M25x1.0	2.5	35.5	39.0	20.5	23.5	30
FAA	5S	40	40.0	M35x1.0	2.5	45.0	–	28.0	33.5	–
FAA	6S	54	54.0	M48x1.5	2.5	45.0	–	28.0	–	–

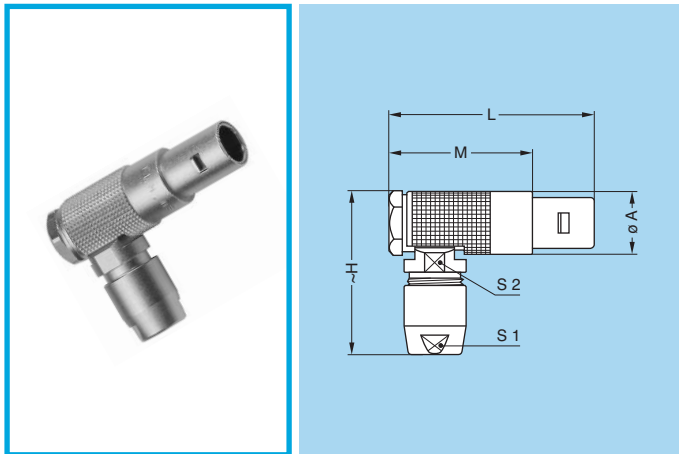
**P1** Panel cut-out (page 158)

**P2** Panel cut-out 6S series (page 158)

**Note:** <sup>1)</sup> unipole model



### FLC/FLM Elbow (90°) plug, cable collet

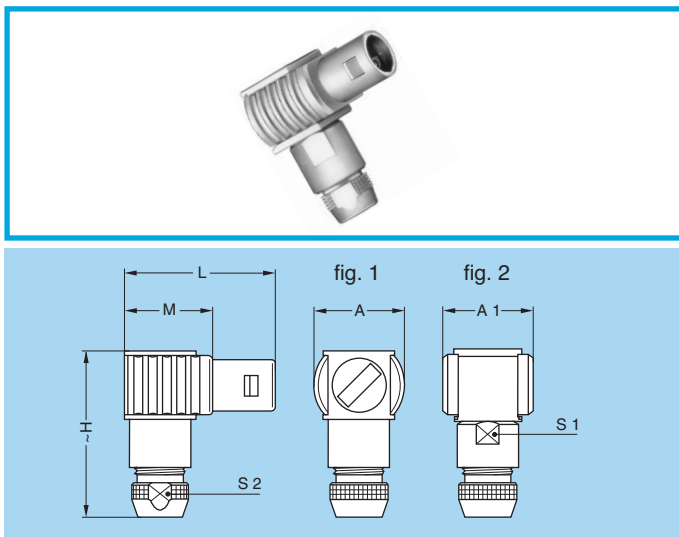


Reference		Dimensions (mm)					
Model	Series	A	H	L	M	S1	S2
FLC	00	7.5	16.5	19.5	11.5	4.5	6
FLM	0S	9.5	23.0	30.0	20.0	7.0	8
FLM	1S	12.0	29.0	36.0	25.0	9.0	10
FLM	2S	14.8	35.0	41.5	29.5	12.0	13

**M3** Cable assembly (pages 175 to 177)

**Note:** FLC.00 model is used for the unipole type. For 0S, 1S and 2S series use «D» type collet, see page 67.

### FLA Elbow (90°) plug, cable collet



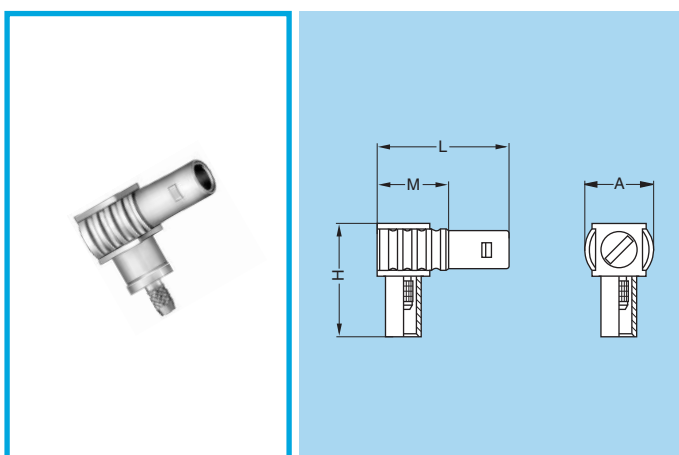
Reference		Dimensions (mm)						
Model	Series	A	A1	H	L	M	S1	S2
FLA	3S	21	21	44.0	38.5	23.5	15	14
FLA	4S	28	28	56.0	49.0	31.0	20	19
FLA	5S	–	37	76.5	65.0	40.0	30	29
FLA	6S	–	48	94.0	81.0	56.0	40	38

**M3** Cable assembly (pages 175 to 177)

**Note:** fig. 1 is used for the unipole type, fig. 2 is used for the multipole type.

- Maximum operating temperature: 120°C

### FLS Elbow (90°) plug for cable crimping



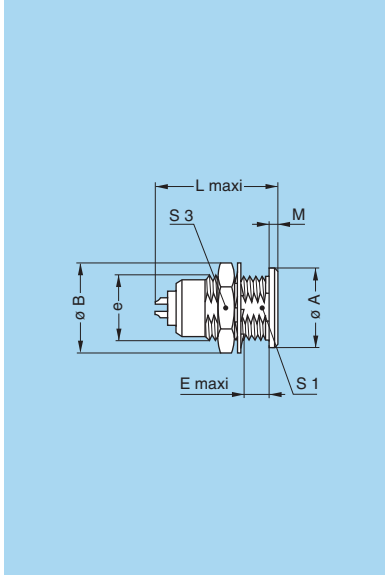
Reference		Dimensions (mm)			
Model	Series	A	H	L	M
FLS	00	9	16	17.5	9.5

**M6** Cable assembly (page 175)

**Note:** Model available only with crimp backnut E31 similar to 00.250 series.

- Maximum operating temperature: 120°C

### ERA Fixed socket, nut fixing



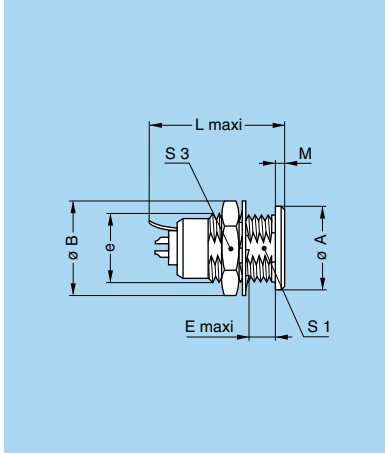
Reference		Dimensions (mm)								
Model	Series	A	B	e	E	L	L <sup>1)</sup>	M	S1	S3
ERA	00	8	10.2	M7x0.5	5.5	–	14.5	1.0	6.3	9
ERA	0S	10	12.4	M9x0.6	7.0	17.5	18.0	1.2	8.2	11
ERA	1S	14	15.8	M12x1.0	7.5	21.0	20.5	1.5	10.5	14
ERA	2S	18	19.2	M15x1.0	8.5	24.5	23.5	1.8	13.5	17
ERA	3S	22	25.0	M18x1.0	11.5	29.0	27.5	2.0	16.5	22
ERA	4S	28	34.0	M25x1.0	12.0	34.0	33.5	2.5	23.5	30
ERA	5S	40	40.0	M35x1.0	15.5	45.0	78.5	3.0	33.5	–
ERA	6S	54	54.0	M48x1.5	16.0	45.0	–	3.5	45.5	–

**P1** Panel cut-out (page 158)

**Note:** <sup>1)</sup> unipole model.

**Note:** The 5S series is delivered with a tapered washer and a round nut. The 6S series is delivered without a locking washer and with a round nut.

### ERN Fixed socket, nut fixing, with earthing tag

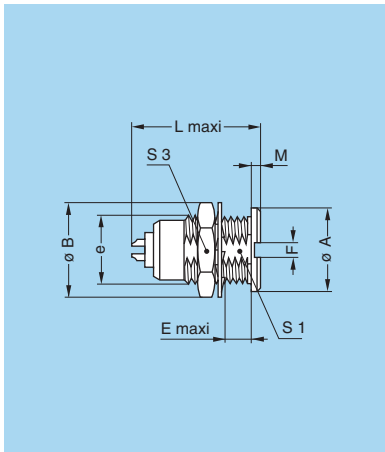


Reference		Dimensions (mm)								
Model	Series	A	B	e	E	L	L <sup>1)</sup>	M	S1	S3
ERN	0S	10	12.4	M9x0.6	7.0	19.3	19.3	1.2	8.2	11
ERN	1S	14	15.8	M12x1.0	7.5	22.4	22.4	1.5	10.5	14
ERN	2S	18	19.2	M15x1.0	8.5	26.3	26.3	1.8	13.5	17
ERN	3S	22	25.0	M18x1.0	11.5	29.8	29.8	2.0	16.5	22

**P1** Panel cut-out (page 158)

**Note:** <sup>1)</sup> unipole model

### ERC Fixed socket, nut fixing with slot in the flange



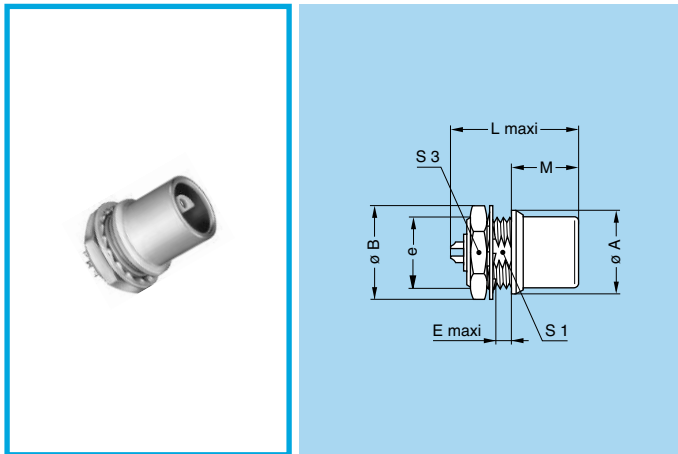
Reference		Dimensions (mm)									
Model	Series	A	B	e	E	F	L	L <sup>1)</sup>	M	S1	S3
ERC	00	8	10.2	M7x0.5	5.5	1.6	–	14.5	1.0	6.3	9
ERC	0S	10	12.4	M9x0.6	7.0	2.0	17.5	18.0	1.2	8.2	11
ERC	1S	14	15.8	M12x1.0	7.5	2.5	20.2	20.5	1.5	10.5	14

**P1** Panel cut-out (page 158)

**Note:** <sup>1)</sup> unipole model.



### EHP Fixed socket, nut fixing, protruding shell



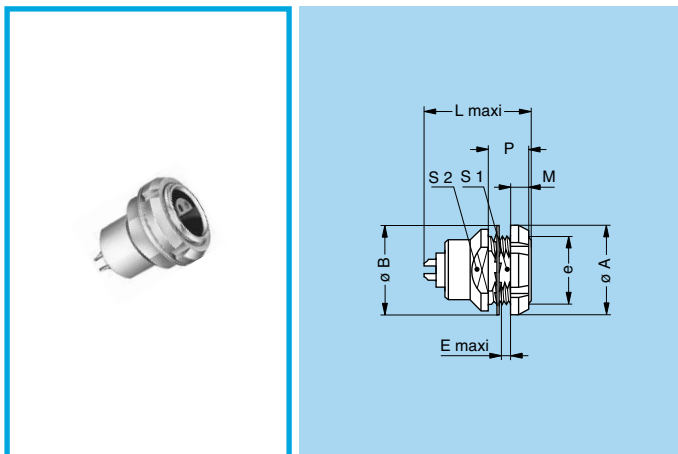
Reference		Dimensions (mm)								
Model	Series	A	B	e	E	L	L <sup>1)</sup>	M	S1	S3
EHP	0S	10	12.4	M9x0.6	2.0	20.5	18.0	12.5	8.2	11
EHP	1S	14	15.8	M12x1.0	3.5	20.2	20.5	12.0	–	14
EHP	3S	22	25.0	M18x1.0	4.0	29.0	29.0	18.7	–	22

**P1** Panel cut-out 0S series (page 158)

**P2** Panel cut-out (page 158)

**Note:** <sup>1)</sup> unipole model

### EEP Fixed socket, nut fixing (back panel mounting)

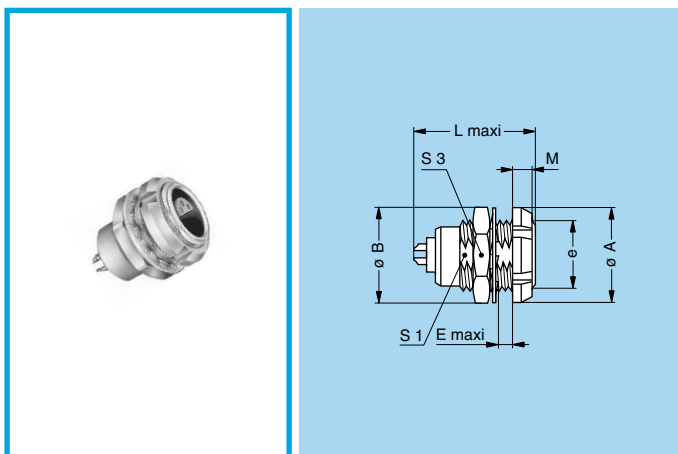


Reference		Dimensions (mm)									
Model	Series	A	B	e	E	L	L <sup>1)</sup>	M	P	S1	S2
EEP	1S	16	16.0	M12x1.0	6.5	20.2	20.5	3.5	11	10.5	13
EEP	2S	20	19.5	M15x1.0	4.3	24.5	23.5	3.5	9	13.5	15

**P1** Panel cut-out (page 158)

**Note:** <sup>1)</sup> unipole model.

### ERD Fixed socket with two nuts (back panel mounting)



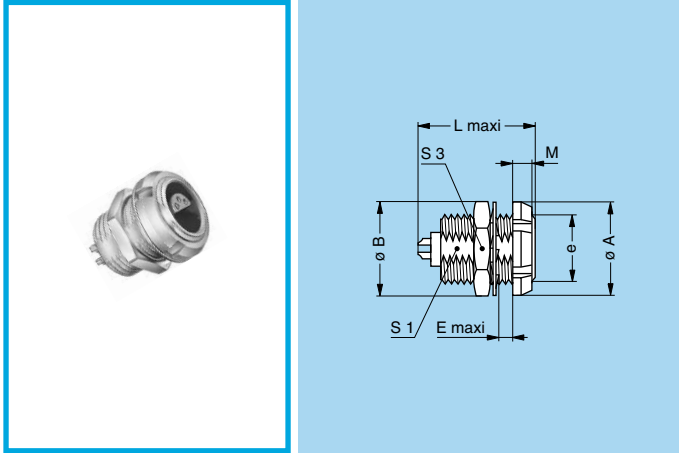
Reference		Dimensions (mm)								
Model	Series	A	B	e	E	L	L <sup>1)</sup>	M	S1	S3
ERD	0S	12	12.4	M9x0.6	5.5	17.5	18.0	2.5	8.2	11
ERD	1S	16	15.8	M12x1.0	6.0	20.2	20.5	3.5	10.5	14
ERD	2S	20	19.2	M15x1.0	6.5	24.5	23.5	3.5	13.5	17
ERD	3S	24	25.0	M18x1.0	9.0	29.0	27.5	4.5	16.5	22
ERD	4S	30	34.0	M25x1.0	10.0	34.0	33.5	4.5	23.5	30

**P1** Panel cut-out (page 158)

**Note:** <sup>1)</sup> unipole model.

**Note:** The 3S and 4S series are delivered with a conical nut.

### ECP Fixed socket with two nuts, long threaded shell (back panel mounting)



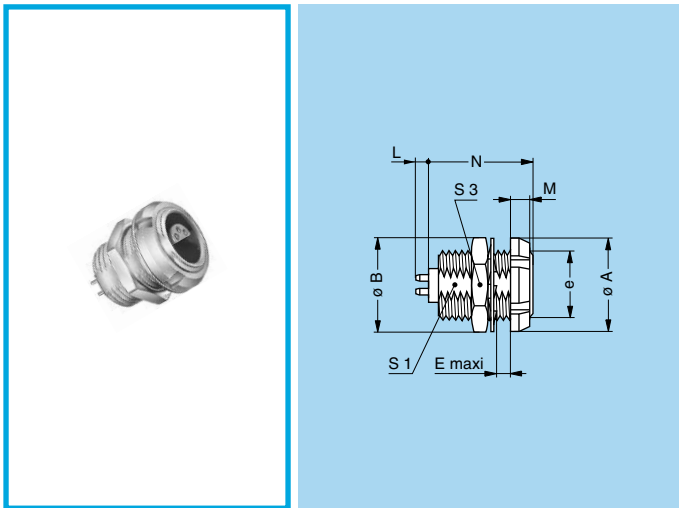
Reference		Dimensions (mm)								
Model	Series	A	B	e	E	L	L <sup>1)</sup>	M	S1	S3
ECP	0S	12	12.4	M9x0.6	8.5	17.5	18.5	2.5	8.2	11
ECP	1S	16	15.8	M12x1.0	10.0	20.2	21.5	3.5	10.5	14
ECP	2S	20	19.2	M15x1.0	11.0	24.5	26.0	3.5	13.5	17
ECP	3S	24	25.0	M18x1.0	14.0	29.0	30.0	4.5	16.5	22

**P1** Panel cut-out (page 158)

**Note:** <sup>1)</sup> unipole model.

**Note:** The 3S series is delivered with a conical nut.

### ECP Fixed socket with two nuts, long threaded shell, straight contact for printed circuit (back panel mounting)



Reference		Dimensions (mm)								
Model	Series	A	B	e	E	M	N	S1	S3	
ECP	0S	12	12.4	M9x0.6	8.5	2.5	15.0	8.2	11	
ECP	1S	16	15.8	M12x1.0	10.0	3.5	17.5	10.5	14	
ECP	2S	20	19.2	M15x1.0	11.0	3.5	20.0	13.5	17	
ECP	3S	24	25.0	M18x1.0	14.0	4.5	24.0	16.5	22	

**P1** Panel cut-out (page 158)

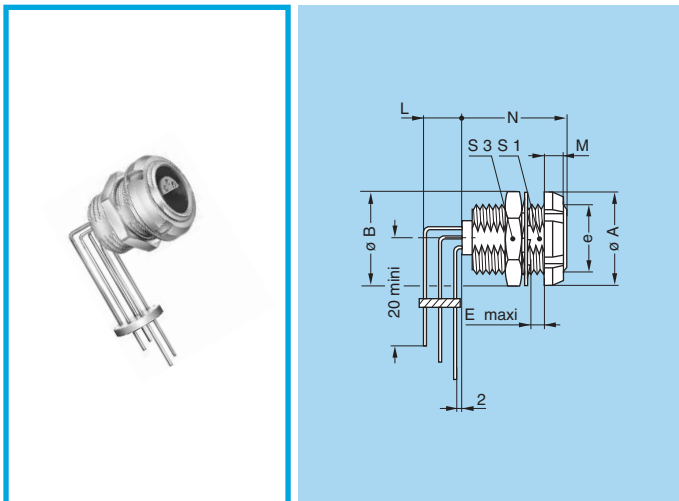
**P21** PCB drilling pattern (page 166)

**Note:** The 3S series is delivered with a conical nut.

**Note:** this contact type is available for all E● socket models. See page 167 for table of available types.

Length «L» depends on the number of contacts, see table on page 167.

### ECP Fixed socket with two nuts, long threaded shell, elbow (90°) contacts for printed circuit (back panel mounting)



Reference		Dimensions (mm)								
Model	Series	A	B	e	E	M	N	S1	S3	
ECP	0S	12	12.4	M9x0.6	8.5	2.5	15.0	8.2	11	
ECP	1S	16	15.8	M12x1.0	10.0	3.5	17.5	10.5	14	
ECP	2S	20	19.2	M15x1.0	11.0	3.5	20.0	13.5	17	
ECP	3S	24	25.0	M18x1.0	14.0	4.5	24.0	16.5	22	

**P1** Panel cut-out (page 158)

**P24** PCB drilling pattern (page 168)

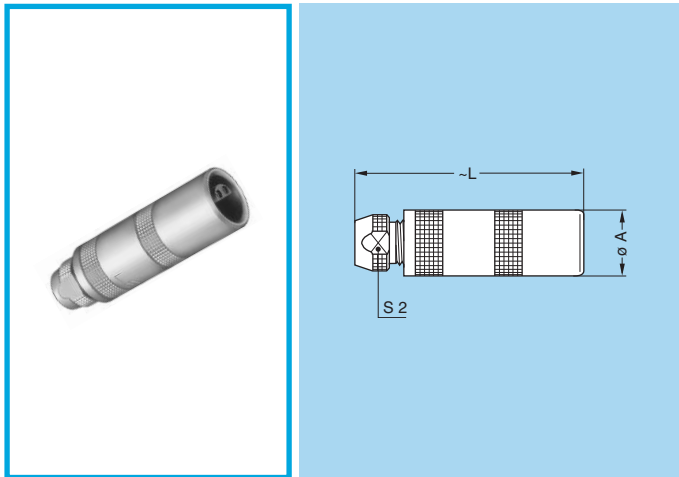
**Note:** The 3S series is delivered with a conical nut.

**Note:** this contact type is available for all back panel mounting socket types. See page 168 for available types.

Length «L» depends on the number of contacts, see PCB drilling pattern on page 168.



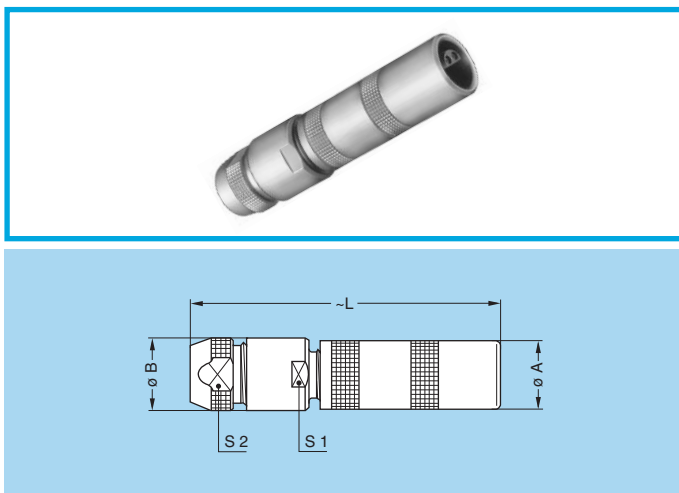
### PCA Free socket, cable collet



Reference		Dimensions (mm)		
Model	Series	A	L	S2
PCA	00	6.5	25.0	4.5
PCA	0S	8.9	33.5	6.5
PCA	1S	11.9	40.5	8.5
PCA	2S	14.8	50.0	11.0
PCA	3S	17.8	59.0	14.0
PCA	4S	24.8	75.0	19.0
PCA	5S	34.7	99.0	29.0
PCA	6S	46.0	102.0	38.0

**M1** Cable assembly (pages 175 to 177)

### PCA Free socket with oversize cable collet <sup>1)</sup>

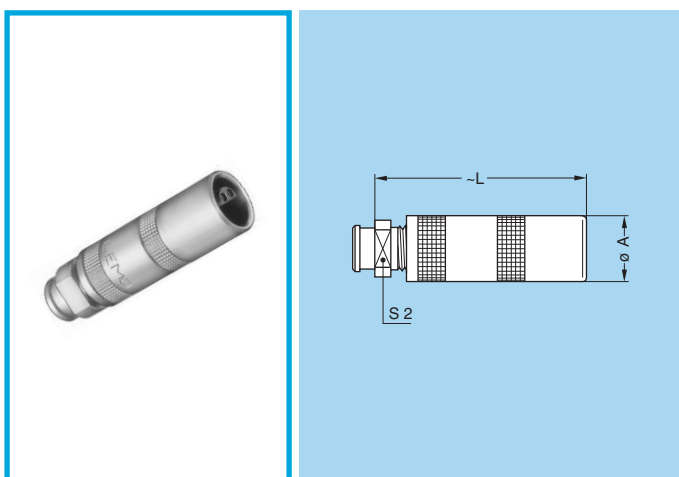


Reference		Dimensions (mm)				
Model	Series	A	B	L	S1	S2
PCA	00	6.5	8.0	33.0	7.0	6.5
PCA	0S	8.9	10.0	44.5	9.0	8.5
PCA	1S	11.9	13.0	55.0	12.0	11.0
PCA	2S	14.8	18.0	65.0	14.0	14.0
PCA	3S	17.8	21.0	83.0	19.0	19.0
PCA	4S	24.8	31.8	105.0	28.5	29.0

**M2** Cable assembly (pages 175 and 178)

**Note:** <sup>1)</sup> correspond to K type of collet, the fitting of oversize collets onto this model allows them to be fitted to the cables that can be accommodated by the next housing size up (see page 115).

### PCA Free socket, cable collet and nut for fitting a bend relief <sup>1)</sup>



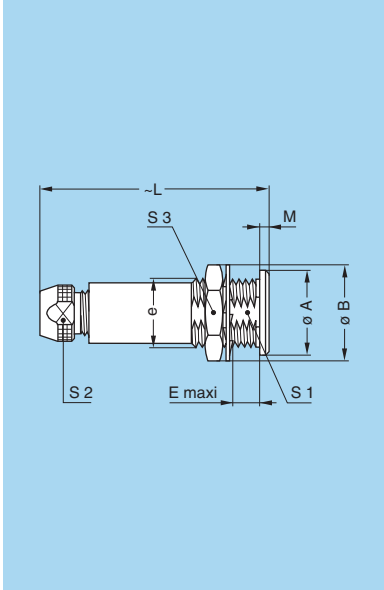
Reference		Dimensions (mm)		
Model	Series	A	L	S2
PCA	00	6.5	25.0	6
PCA	0S	8.9	33.5	7
PCA	1S	11.9	40.5	9
PCA	2S	14.8	50.0	12
PCA	3S	17.8	59.0	14
PCA	4S	24.8	75.0	20

**M1** Cable assembly (pages 175 and 176)

**Note:** <sup>1)</sup> to order, add a «Z» at the end of the reference. The bend relief must be ordered separately (see page 145).



### PSA Fixed socket, nut fixing, cable collet



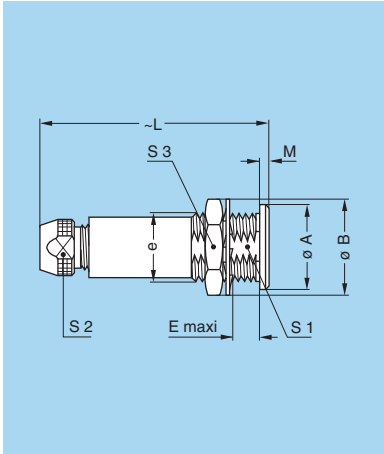
Reference		Dimensions (mm)								
Model	Series	A	B	e	E	L	M	S1	S2	S3
PSA	00	8	10.2	M7x0.5	5.5	25.0	1.0	6.3	4.5	9
PSA	0S	10	12.4	M9x0.6	7.0	33.5	1.2	8.2	6.5	11
PSA	1S	14	15.8	M12x1.0	7.5	40.5	1.5	10.5	8.5	14
PSA	2S	18	19.2	M15x1.0	8.5	50.0	1.8	13.5	11.0	17
PSA	3S	22	25.0	M18x1.0	11.5	59.0	2.0	16.5	14.0	22
PSA	4S	28	34.0	M25x1.0	12.0	75.0	2.5	23.5	19.0	30
PSA	5S	40	40.0	M35x1.0	15.5	99.0	3.0	33.5	29.0	–
PSA	6S	54	54.0	M48x1.5	16.0	102.0	3.5	45.5	38.0	–

**M1** Cable assembly (pages 175 to 177)

**P1** Panel cut-out (page 158)

**Note:** the 5S series is delivered with a tapered washer and a round nut. The 6S series is delivered without a locking washer and with a round nut.

### PSP Fixed socket, nut fixing, cable collet and inner anti-rotating device

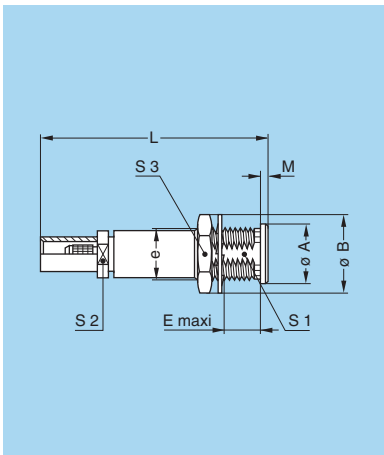


Reference		Dimensions (mm)								
Model	Series	A	B	e	E	L	M	S1	S2	S3
PSP	2S	18	19.2	M15x1.0	8.5	50.0	1.8	13.5	11.0	17
PSP	3S	22	25.0	M18x1.0	11.5	59.0	2.0	16.5	14.0	22
PSP	4S	28	34.0	M25x1.0	12.0	75.0	2.5	23.5	19.0	30

**M1** Cable assembly (pages 175 and 176)

**P1** Panel cut-out (page 158)

### PSS Free socket, nut fixing for cable crimping



Reference		Dimensions (mm)								
Model	Series	A	B	e	E	L	M	S1	S2	S3
PSS	00	8	10.2	M7x0.5	5.5	30	1	6.3	5.5	9

**M5** Cable assembly (page 175)

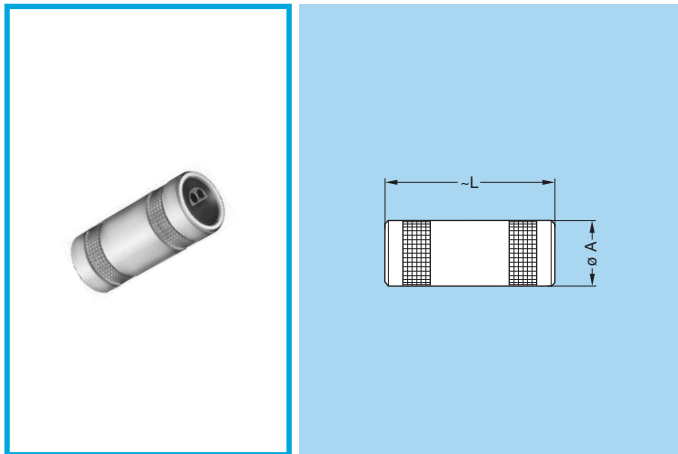
**P1** Panel cut-out (page 158)

**Note:** Model available only with crimp backnut E31 similar to 00.250 series.





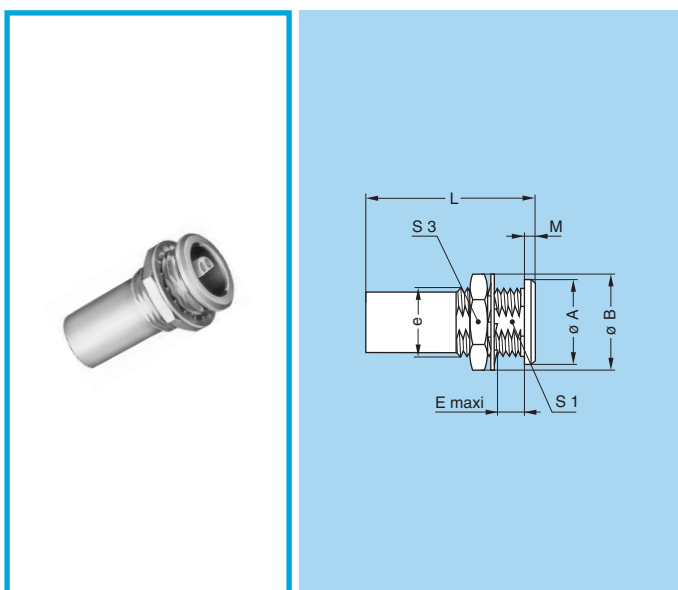
## RMA Free coupler



Reference		Dim. (mm)	
Model	Series	A	L
RMA	00	6.4	22.0
RMA	0S	8.9	25.0
RMA	1S	11.9	28.5
RMA	2S	14.8	31.5
RMA	3S	17.8	38.5
RMA	4S	24.8	46.5
RMA	5S	34.7	60.5

**Note:** see page 114 for the available plug and contact configurations and in order to ensure correct contact alignment.

## RAD Fixed coupler, nut fixing



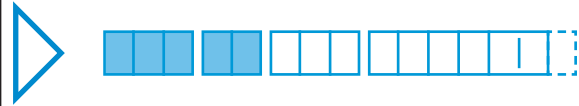
Reference		Dimensions (mm)							
Model	Series	A	B	e	E	L	M	S1	S2
RAD	00	8	10.2	M7x0.5	5.5	22.0	1.0	6.3	9
RAD	0S	10	12.4	M9x0.6	7.0	25.0	1.2	8.2	11
RAD	1S	14	15.8	M12x1.0	7.5	28.5	1.5	10.5	14
RAD	2S	18	19.2	M15x1.0	8.5	31.5	1.8	13.5	17
RAD	3S	22	25.0	M18x1.0	11.5	38.5	2.0	16.5	22
RAD	4S	28	34.0	M25x1.0	12.0	46.5	2.5	–	30
RAD	5S	40	40.0	M35x1.0	15.5	60.5	3.0	–	–

**P1** Panel cut-out (page 158)

**P2** Panel cut-out 4S and 5S series (page 158)

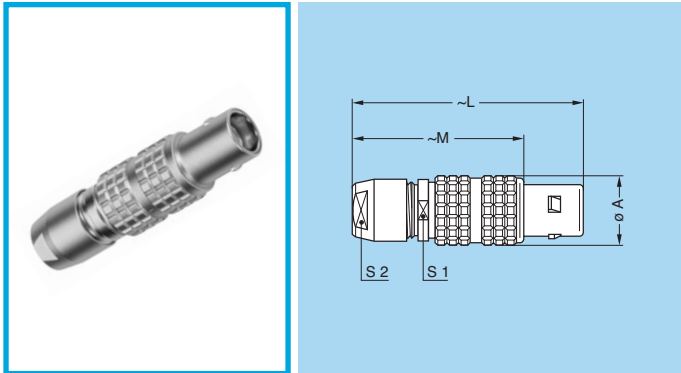
**Note:** the 5S series is delivered with a tapered washer and a round nut.

**Note:** See page 114 for the available plug and contact configurations and in order to ensure correct contact alignment.



## New design models

### FGZ Straight plug, cable collet

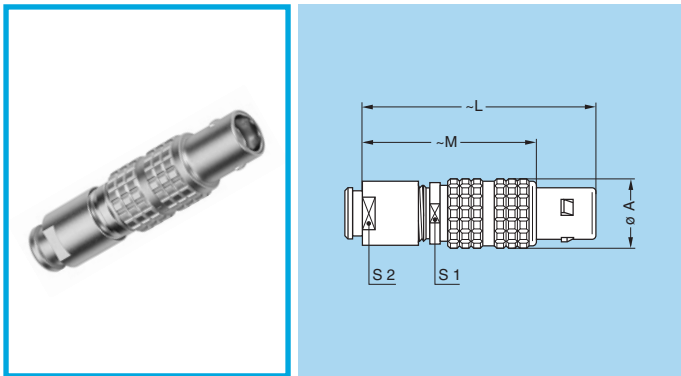


Reference		Dimensions (mm)				
Model	Series	A	L	M	S1	S2
FGZ	0S	9.5	36	26	8	7
FGZ	1S	12.0	43	32	10	9
FGZ	2S	15.0	50	38	13	12

**M1** Cable assembly (page 169)

**Note:** D type collets of the B series are used in this model (see page 67).

### FGZ Straight plug, cable collet and nut for fitting a bend relief <sup>1)</sup>



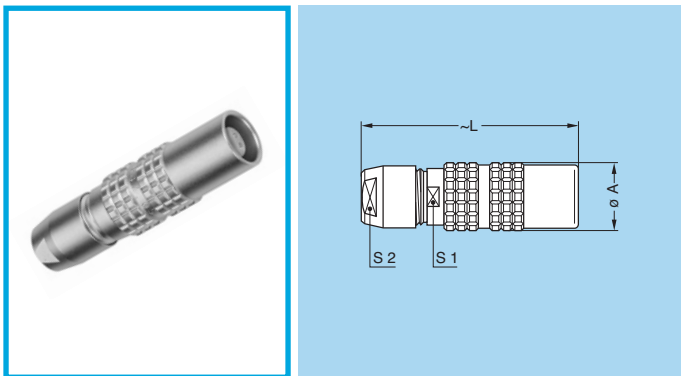
Reference		Dimensions (mm)				
Model	Series	A	L	M	S1	S2
FGZ	0S	9.5	35	25	8	7
FGZ	1S	12.0	42	31	10	9
FGZ	2S	15.0	49	37	13	12

**M1** Cable assembly (page 169)

**Note:** D type collets of the B series are used in this model (see page 67).

**Note:** <sup>1)</sup> to order, add a «Z» at the end of the reference. The bend relief must be ordered separately (see page 145).

### PGZ Free socket, cable collet

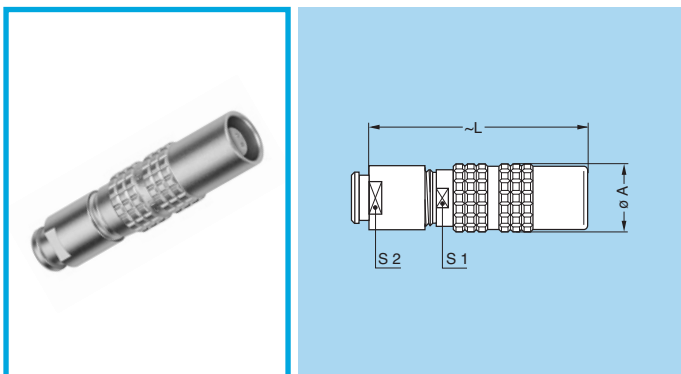


Reference		Dim. (mm)			
Model	Series	A	L	S1	S2
PGZ	0S	9.5	35.5	8	7
PGZ	1S	12.5	40.5	10	9
PGZ	2S	15.0	49.0	13	12

**M1** Cable assembly (page 169)

**Note:** D type collets of the B series are used in this model (see page 67).

### PGZ Free socket, cable collet and nut for fitting a bend relief <sup>1)</sup>



Reference		Dim. (mm)			
Model	Series	A	L	S1	S2
PGZ	0S	9.5	34.5	8	7
PGZ	1S	12.5	39.5	10	9
PGZ	2S	15.0	48.0	13	12

**M1** Cable assembly (page 169)

**Note:** D type collets of the B series are used in this model (see page 67).

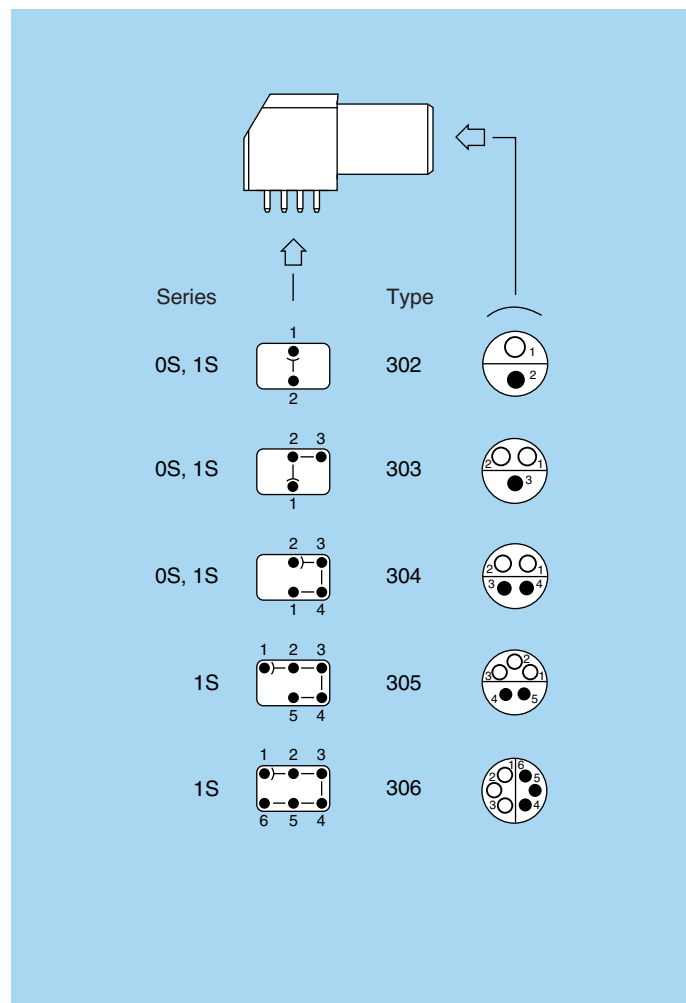
**Note:** <sup>1)</sup> to order, add a «Z» at the end of the reference. The bend relief must be ordered separately (see page 145).



## Elbow socket models

### Technical Characteristics

#### Types



#### Materials and Treatment

Component	Material	Surface Treat. ( $\mu\text{m}$ )		
		Cu	Ni	Au
Housing	PPS <sup>1)</sup>	-		
	Brass	0.5	3	-
Metallic parts	Brass	0.5	3	-
Earthing crown	Bronze	0.5	3	-
Insulator	PEEK	-		
Female contact	Bronze	0.5	3	1.5

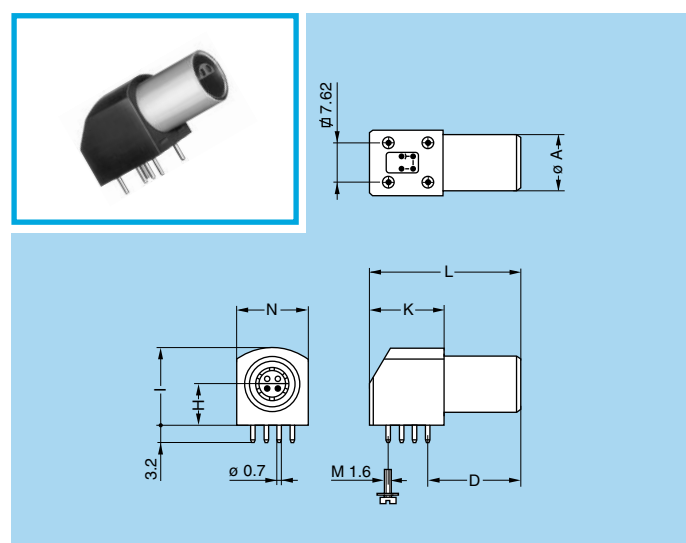
**Note:** <sup>1)</sup> not used for all sizes.  
 The surface treatment standards are as follows:  
 - Nickel SAE AMS QQ N 290  
 - Gold: ISO 27874

#### Electrical

Model	Series	Types	Test voltage (kV rms) <sup>1)</sup>	Rated current (A)
EPL	0S	302-303-304	1.20	4.5
EXP	0S	302-303-304	1.20	4.5
EPL	1S	302-303-304	1.20	4.5
EXP	1S	302-303-304	1.20	4.5
EPL	1S	305-306	0.70	4.5
EXP	1S	305-306	0.70	4.5

**Note:** <sup>1)</sup> see calculation method, caution and suggested standard on page 190.

### EPL Elbow (90°) socket for printed circuit (solder or screw fixing)



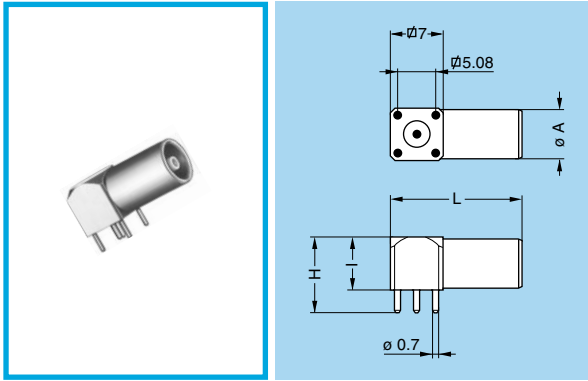
Part number	Dimensions (mm)						
	A	D	H	I	K	L	N
EPL.0S.302.HLN	9	14.6	6.7	12.6	13.3	25	11.7
EPL.0S.303.HLN							
EPL.0S.304.HLN							
EPL.1S.302.HLN	11	16.6	7.5	14.0	13.3	27	12.6
EPL.1S.303.HLN							
EPL.1S.304.HLN							
EPL.1S.305.HLN							
EPL.1S.306.HLN							

**Note:** to replace the 4 ground pins by 4 screws (M1.6) add an «S» to the end of the part number. (e.g.: EPL.1S.303.HLNS)

**P22** PCB drilling pattern (page 168)



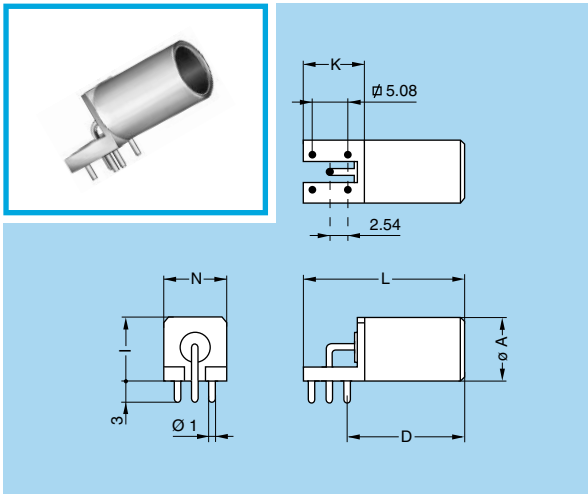
**EPL Elbow (90°) socket for printed circuit**



Part number	Dimensions (mm)		
	A	H	I
<b>EPL.00.113.NLN</b>	6.8	10	7

**P23** PCB drilling pattern (page 168)

**EPL Elbow (90°) socket for printed circuit**

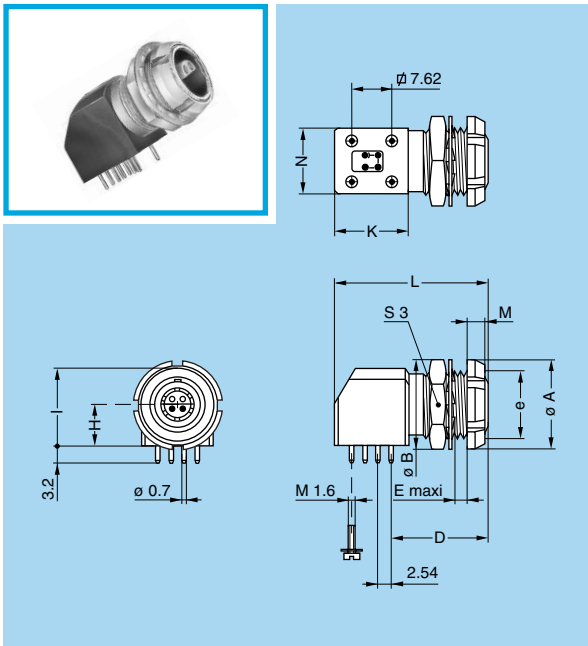


Part number	Dimensions (mm)						
	A	D	H	I	K	L	N
<b>EPL.0S.116.DTL</b>	8.8	16	12	9	7.7	22.7	9

**Note:** available only in unipole version.

**P23** PCB drilling pattern (page 168)

**EXP Elbow (90°) socket for printed circuit with two nuts (solder or screw fixing)**



Part number	Dimensions (mm)											
	A	B	D	e	E	H	I	K	L	M	N	S3
<b>EXP.0S.302.HLN</b>												
<b>EXP.0S.303.HLN</b>	12	12.4	14.6	M9x0.6	6.0	6.7	12.6	13.3	25	2.5	11.7	11
<b>EXP.0S.304.HLN</b>												
<b>EXP.1S.302.HLN</b>												
<b>EXP.1S.303.HLN</b>												
<b>EXP.1S.304.HLN</b>	14	15.0	16.6	M11x0.5	7.5	7.5	14.0	13.3	27	3.5	12.6	13
<b>EXP.1S.305.HLN</b>												
<b>EXP.1S.306.HLN</b>												

**Note:** to replace the 4 ground pins by 4 screws (M1.6) add an «S» to the end of the part number. (e.g.: EXP.1S.303.HLNS).

**P2** Panel cut-out 0S series (page 158)

**P10** Panel cut-out 1S series (page 158)

**P22** PCB drilling pattern (page 168)



## Plastic housing models

These connectors are particularly recommended for all applications requiring maximum electrical insulation when mated. The design, including a latch sleeve and a metal earthing crown, guarantees EMC screening efficiency to meet most requirements.

### Technical Characteristics

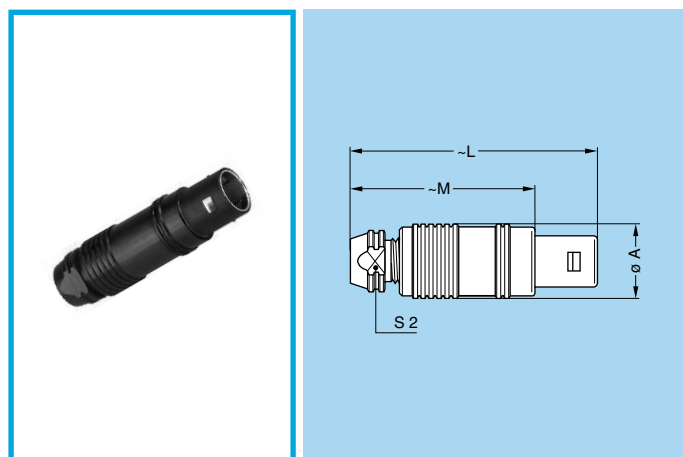
#### Mechanical and Climatical

Characteristics	Value				Standard
	PEEK	POM	PSU	PPSU	
Colour	natural (beige)	black	white or grey	cream	–
Endurance <sup>1)</sup>	> 5000 cycles	> 5000 cycles	> 5000 cycles	> 5000 cycles	IEC 60512-5 test 9a
Humidity	up to 95% at 60° C				–
Temperature range	- 50° C/+ 250° C	- 50° C/+ 115° C	- 50° C/+ 150° C	- 50° C/+ 180° C	–
Sterilization resistance <sup>2)</sup>	> 200 cycles	none	~20 cycles	> 100 cycles	IEC 60601-1 § 44.7
Resistance to organic solvents	very good	very good	limited	good	–

**Note:** <sup>1)</sup> see page 189, contact resistance after mating cycles. See page 185, mechanical endurance latching force. <sup>2)</sup> Steam sterilization

**FFA** Straight plug, cable collet, PEEK or POM outer shell

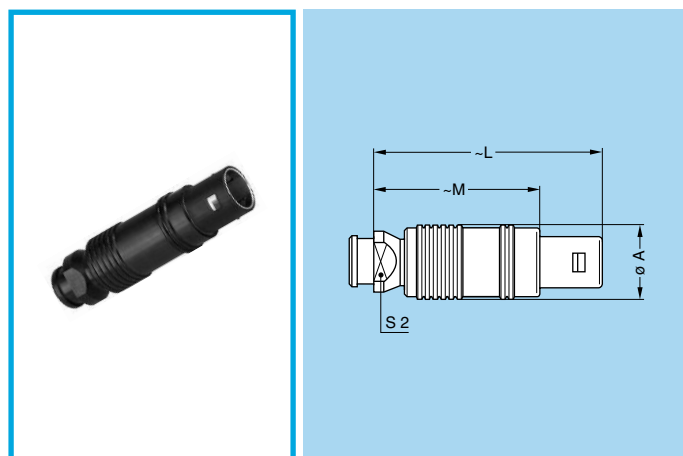
**FFP** Straight plug, cable collet, PEEK or POM outer shell and inner anti-rotating device



Reference		Dimensions (mm)			
Model	Series	A	L	M	S2
<b>FFA</b>	<b>00</b>	7	33.5	25.5	6
<b>FFP</b>	<b>1S</b>	12	42.5	31.5	10
<b>FFP</b>	<b>2S</b>	15	52.0	40.0	12
<b>FFP</b>	<b>3S</b>	18	61.0	46.0	14

**M1** Cable assembly (pages 175 and 176)

**FFP** Straight plug, cable collet, PEEK or POM outer shell, inner anti-rotating device and nut for fitting a bend relief <sup>1)</sup>

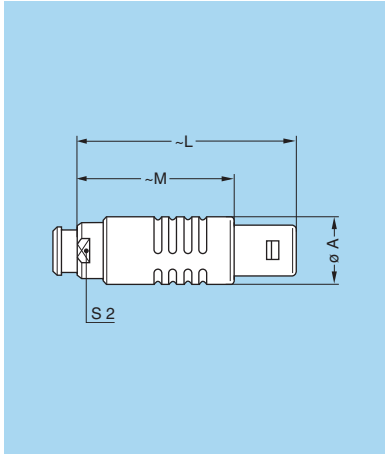


Reference		Dimensions (mm)			
Model	Series	A	L	M	S2
<b>FFP</b>	<b>1S</b>	12	41.5	30.5	10
<b>FFP</b>	<b>2S</b>	15	51.0	39.0	12
<b>FFP</b>	<b>3S</b>	18	61.0	46.0	14

**M1** Cable assembly (pages 175 and 176)

**Note:** <sup>1)</sup> to order, add a «Z» at the end of the reference. The bend relief must be ordered separately (see page 145).

**FFL** Straight plug, cable collet, with PSU and PPSU outer shell, inner anti-rotating device and nut for fitting a bend relief <sup>1)</sup>



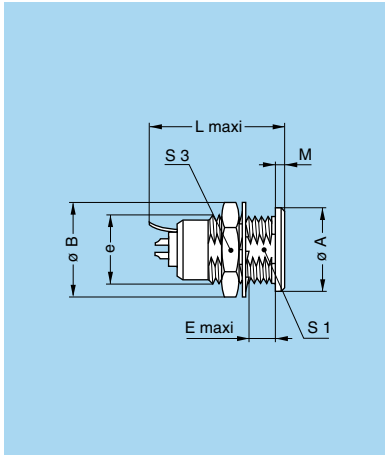
Reference		Dimensions (mm)			
Model	Series	A	L	M	S2
<b>FFL</b>	<b>2S</b>	16.5	51.5	39.5	13

**M4** Cable assembly (page 177)

**Note:** <sup>1)</sup> to order, add a «Z» at the end of the reference. The bend relief must be ordered separately (see page 145).

**Note:** This model is fitted with a «D or M» type collet system. It is also adapted for crimp contacts. Available only for multipole.

**ERN** Fixed socket, nut fixing, with earthing tag, PEEK or POM outer shell



Reference		Dimensions (mm)								
Model	Series	A	B	e	E	L	L <sup>1)</sup>	M	S1	S3
<b>ERN</b>	<b>00</b>	9	10.2	M7x0.5	5.5	—	14.5	1.0	6.3	9
<b>ERN</b>	<b>0S</b>	11	12.4	M9x0.6	6.4	19.3	19.3	1.8	8.2	11
<b>ERN</b>	<b>1S</b>	14	15.8	M12x1.0	7.5	22.4	22.4	1.5	10.5	14
<b>ERN</b>	<b>2S</b>	18	19.2	M15x1.0	8.5	26.3	26.3	2.0	13.5	17
<b>ERN</b>	<b>3S</b>	22	25.0	M18x1.0	11.5	29.8	29.8	2.0	16.5	22

**P1** Panel cut-out (page 158)

**Note:** <sup>1)</sup> unipole model



## Watertight or vacuumtight models

These socket or coupler models allow the device on which they are fitted to reach a protection index of IP68 as per IEC 60529. They are fully compatible with plugs of the same series and are widely used for portable radios, military, laboratory equipment, aviation, etc.

These models are identified by a letter «P» at the end of the reference.

Most of these models are also available in a vacuumtight version. Such models are identified by an additional letter «V» at the end of the part number (certificate on request).

Epoxy resin is used to seal these models.

### Technical Characteristics

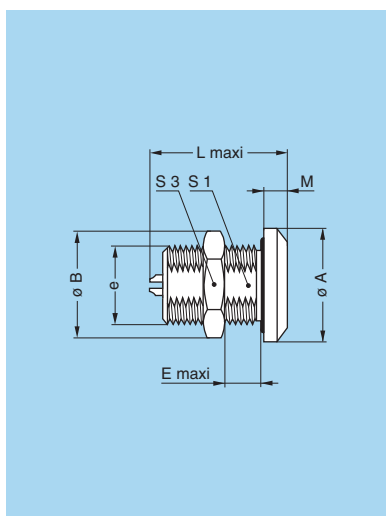
#### Mechanical and Climatrical

Characteristics	Value	Standard
Endurance <sup>1)</sup>	> 5000 cycles	IEC 60512-5 test 9a
Humidity	up to 95% at 60° C	
Temperature range	0S-1S	- 20° C/ + 100° C
	2S-6S	- 20° C/+ 80° C
Salt spray corrosion test	> 1000h	IEC 60512-6 test 11f
Climatrical category	20/80/21	IEC 60068-1
Leakage rate (He) <sup>2)</sup>	< 10 <sup>-7</sup> mbar.l.s <sup>-1</sup>	IEC 60512-7 test 14b

Characteristics	Value	Standard	
Maximum operating pressure <sup>3)</sup>	0S	60 bar	IEC 60512-7 test 14d
	1S	60 bar	IEC 60512-7 test 14d
	2S	40 bar	IEC 60512-7 test 14d
	3S	30 bar	IEC 60512-7 test 14d
	4S	15 bar	IEC 60512-7 test 14d
	5S	5 bar	IEC 60512-7 test 14d
6S	5 bar	IEC 60512-7 test 14d	

**Note:** <sup>1)</sup> see page 189, contact resistance after mating cycles. See page 185, mechanical endurance latching force. <sup>2)</sup> only for vacuumtight models. <sup>3)</sup> this value corresponds to the maximum allowed pressure difference for the assembled socket.

#### HGP Fixed socket, nut fixing, watertight or vacuumtight



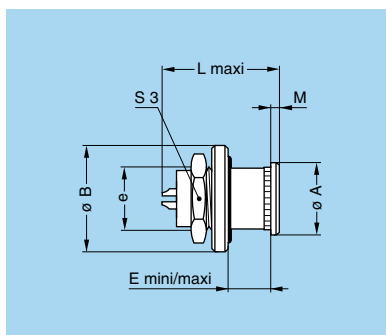
Reference		Dimensions (mm)								
Model	Series	A	B	e	E	L	L <sup>1)</sup>	M	S1	S3
HGP	0S	18	15.8	M12x1.0	11.5	20.5	21.5	4.0	10.5	14
HGP	1S	20	19.2	M14x1.0	15.5	25.0	22.0	4.0	12.5	17
HGP	2S	20	21.5	M16x1.0	17.0	29.5	28.0	4.0	14.5	19
HGP	3S	28	27.0	M20x1.0	18.0	33.0	34.0	6.0	18.5	24
HGP	4S	34	34.0	M25x1.0	22.5	39.0	43.0	6.5	23.5	30
HGP	5S	45	40.0	M35x1.0	28.0	50.5	78.5	7.5	33.5	–
HGP	6S	58	54.0	M48x1.5	22.0	51.0	–	6.0	45.5	–

**P3** Panel cut-out (page 158)

**Note:** <sup>1)</sup> unipole model.

**Note:** The 5S and 6S series are delivered with a round nut.

#### HGW Fixed socket, nut fixing, with back washer, watertight or vacuumtight

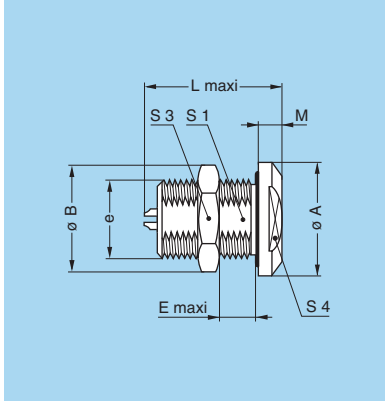


Reference		Dimensions (mm)								
Model	Series	A	B	e	E <sub>mini</sub>	E <sub>maxi</sub>	L	M	S3	
HGW	0S	10	15	M9x0.6	2	3	20.5	1.2	11	
HGW	1S	14	18	M12x1.0	2	4	25.0	1.5	14	

**P11** Panel cut-out (page 158)

**Note:** vacuumtight version is only available in the 0S series.

### EWB Fixed socket, nut fixing, with two flats on the flange, watertight or vacuumtight

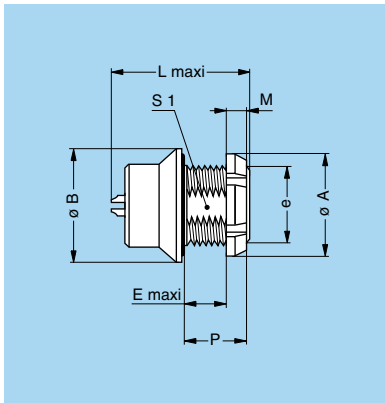


Reference		Dimensions (mm)									
Model	Series	A	B	e	E	L	L <sup>1)</sup>	M	S1	S3	S4
EWB	0S	18	15.8	M12x1.0	11.0	20.5	–	4.0	10.5	14	14
EWB	1S	20	19.2	M14x1.0	15.5	25.5	25.5	4.0	12.5	17	16
EWB	2S	20	21.5	M16x1.0	17.0	28.0	26.5	4.0	14.5	19	16
EWB	4S	34	34.0	M25x1.0	22.5	43.0	–	6.5	23.5	30	27

**P3** Panel cut-out (page 158)

**Note:** <sup>1)</sup> unipole model

### HCP Fixed socket, nut fixing, watertight or vacuumtight (back panel mounting)

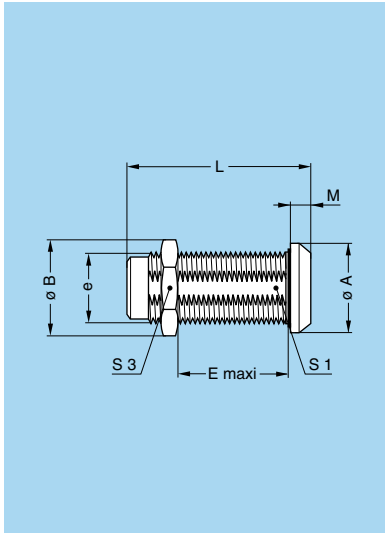


Reference		Dimensions (mm)							
Model	Series	A	B	e	E	L	M	P	S1
HCP	1S	18	20	M14x1.0	8.6	25.5	3.5	12.0	–
HCP	2S	20	20	M16x1.0	12.5	29.0	3.5	16.5	14.5
HCP	4S	27	34	M25x1.0	15.5	41.0	4.5	20.0	23.5

**P3** Panel cut-out (page 158)

**Note:** the 2S and 4S series are delivered with a conical nut.

### SWH Fixed coupler, nut fixing, watertight or vacuumtight



Reference		Dimensions (mm)							
Model	Series	A	B	e	E	L	M	S1	S3
SWH	0S	14	13.8	M10x0.75	17	34	2.0	9.0	12
SWH	1S	17	15.8	M12x1.00	28	39	2.5	10.5	14
SWH	2S	20	21.5	M16x1.00	25	44	4.0	15.0	19
SWH	3S	25	27.0	M20x1.00	30	53	4.0	18.5	24
SWH	4S	34	34.0	M25x1.00	50	65	4.0	23.5	30
SWH	5S	45	40.0	M35x1.00	58	80	5.0	33.5	–
SWH	6S	58	54.0	M48x1.50	55	81	6.0	45.5	–

**P4** Panel cut-out (page 158)

**Note:** The 5S and 6S series are delivered with a round nut.

**Note:** see page 114 for the available plug and contact configurations and in order to ensure correct contact alignment.



# E Series

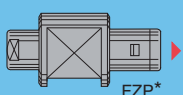
E series connectors have been specifically designed for outdoor applications.

They include an inner sleeve and two seals to prevent penetration of solids or liquids into the housing formed by the plug, free socket, fixed socket or coupler. All models of these series are watertight when mated and give a protection index of IP 68 as per IEC 60529 standard (in mated condition) when correctly assembled to an appropriate cable (IP 66 otherwise).

- security of the Push-Pull latching system
- unipole types transmitting current up to 230 A and multipole types with up to 106 contacts
- wide range of models satisfying most applications
- 360° screening for full EMC shielding
- watertight connection (IP 68/IP 66)
- polarization by stepped insert (half-moon) fitted with male and female contacts
- solder or print contacts (straight or elbow)
- rugged housing for extreme working condition.

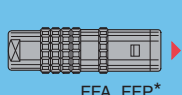
## Metal housing models (page 95)

### Straight plug



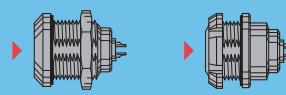
FZP\*

### Straight plugs



FFA, FFP\*

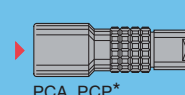
### Fixed sockets



ERA

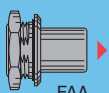
EEP

### Free sockets

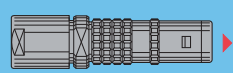


PCA, PCP\*

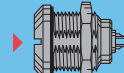
### Fixed plug



FAA

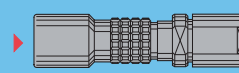


FFA



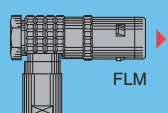
ERC

EEP

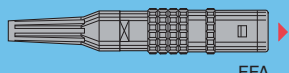


PCA

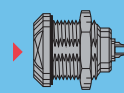
### Elbow plug



FLM

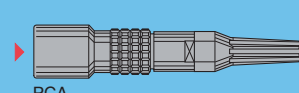


FFA

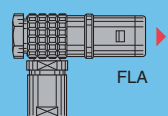


ERB\*

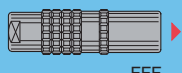
EEP



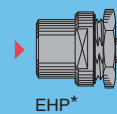
PCA



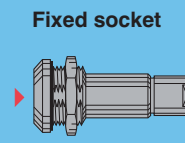
FLA



FFF



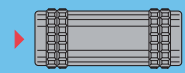
EHP\*



PSA

### Fixed socket

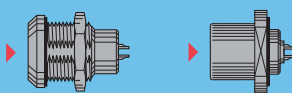
### Free coupler



RMA

## Watertight or vacuumtight models (page 101)

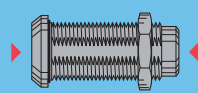
### Fixed sockets



HGP

EBR

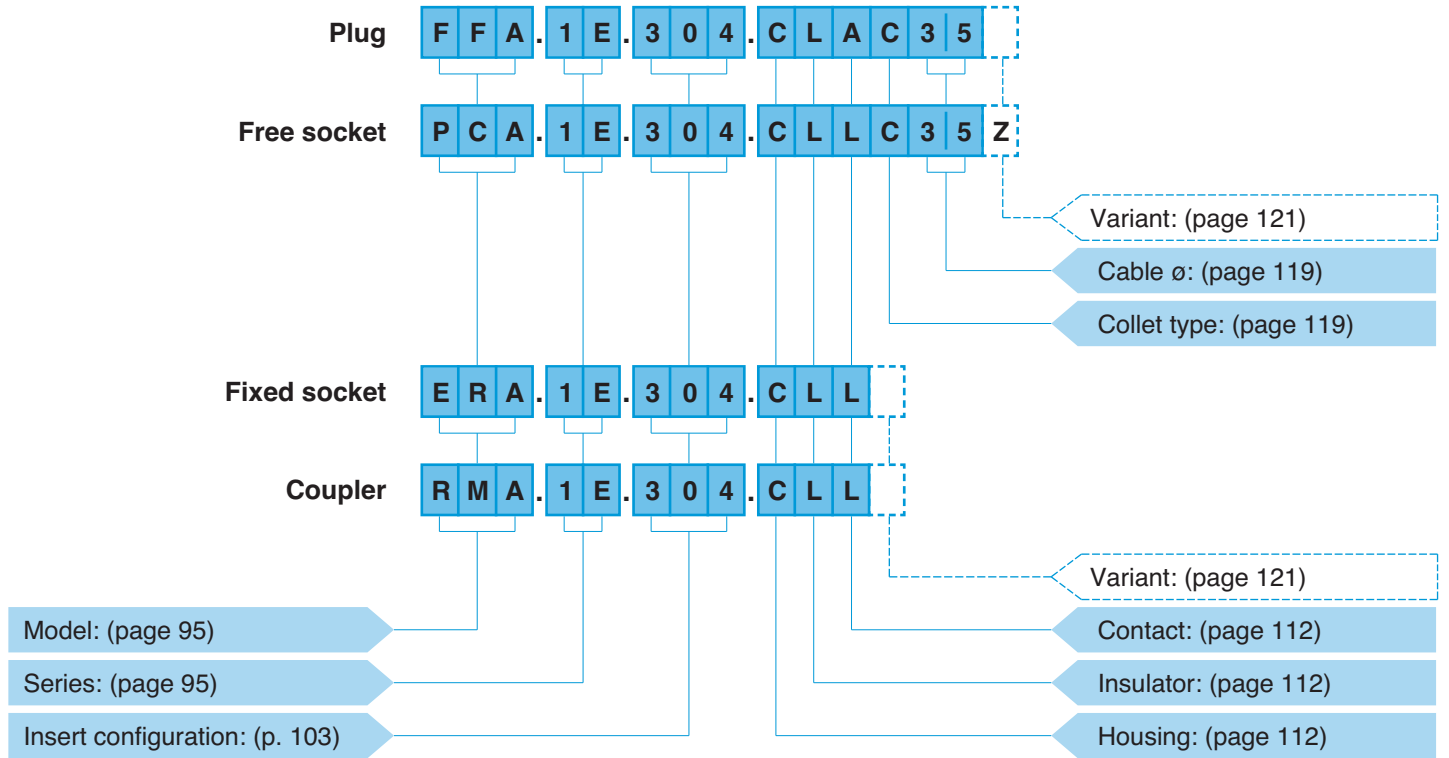
### Fixed coupler



SWH

Note: \* Contact LEMO for details.

## Part Numbering System



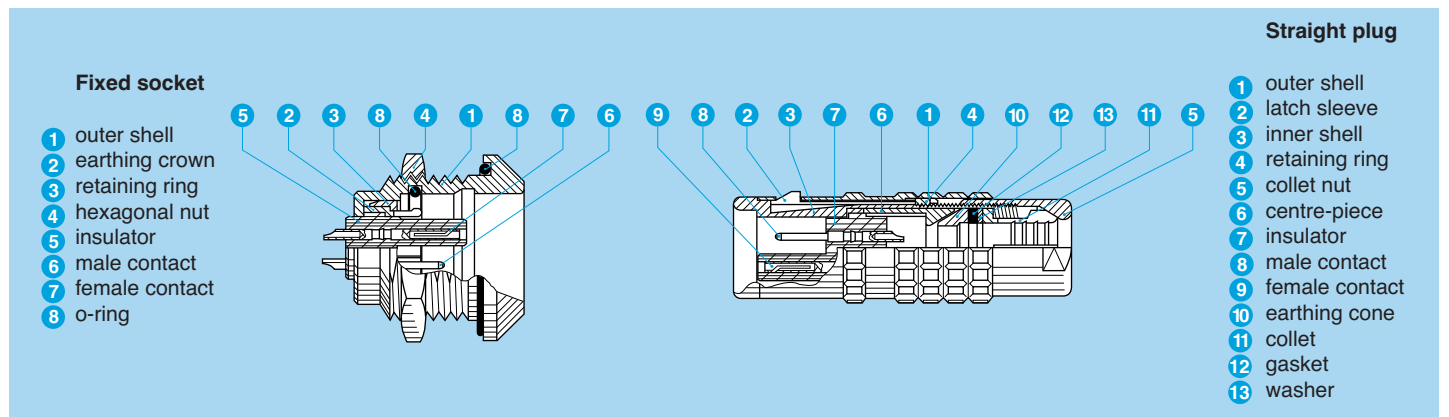
**FFA.1E.304.CLAC35** = straight plug with cable collet, 1E series, multipole type with 4 contacts, outer shell in chrome-plated brass, PEEK insulator, 2 male and 2 female solder contacts, C type collet for a 3.5 mm diameter cable.

**PCA.1E.304.CLLC35Z** = free socket with cable collet, 1E series, multipole type with 4 contacts, outer shell in chrome-plated brass, PEEK insulator, 2 female and 2 male solder contacts, C type collet for a 3.5 mm diameter cable and collet nut for fitting a bend relief.

**ERA.1E.304.CLL** = fixed socket, nut fixing, 1E series, multipole type with 4 contacts, outer shell in chrome-plated brass, PEEK insulator, 2 female and 2 male solder contacts.

**RMA.1E.304.CLL** = straight coupler, 1E series, multipole type with 4 contacts, outer shell in chrome-plated brass, PEEK insulator, 2 female and 2 male contacts each end.

## Part Section Showing Internal Components





## Metal housing models

### Technical Characteristics

#### Mechanical and Climatical

Characteristics	Value	Standard
Endurance <sup>1)</sup>	> 5000 cycles	IEC 60512-5 test 9a
Humidity	up to 95% at 60° C	
Temperature range <sup>2)</sup>	- 55° C, + 200° C	
Resistance to vibrations	10-2000 Hz, 15g	IEC 60512-4 test 6d
Shock resistance	100 g, 6 ms	IEC 60512-4 test 6c
Salt spray corrosion test	> 1000h	IEC 60512-6 test 11f
Protection index (mated) <sup>3)</sup>	IP 68/IP 66	IEC 60529
Climatical category	50/175/21	IEC 60068-1

#### Electrical

Characteristics	Value	Standard	
Shielding efficiency	at 10 MHz	> 95 dB	IEC 60169-1-3
	at 1 GHz	> 80 dB	IEC 60169-1-3

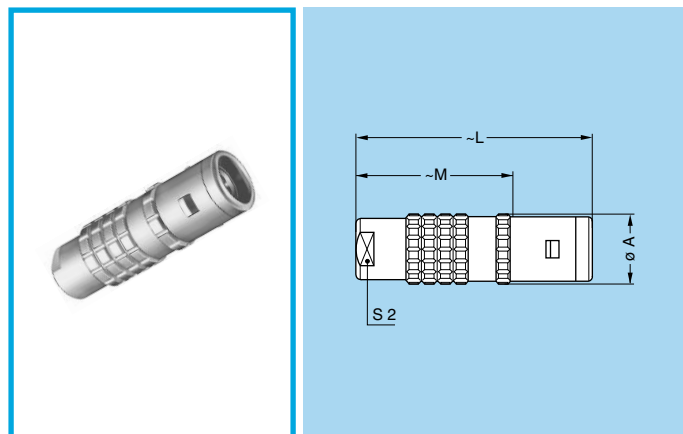
**Note:** the various tests have been carried out with FFA and ERA connector pairs, with chrome-plated brass shell, PEEK insulator and silicone O-ring. Detailed electrical characteristics, as well as materials and treatment are presented in the chapter Technical Characteristics on page 182.

<sup>1)</sup> see page 189, contact resistance after mating cycles. See page 185, mechanical endurance latching force.

<sup>2)</sup> minimum operating temperature is -20°C for sockets fitted with an FPM (Viton®) O-ring.

<sup>3)</sup> IP68 achieved providing that the cable is perfectly circular and that assembly process ensures a high integrity seal.

#### FFA Straight plug, cable collet

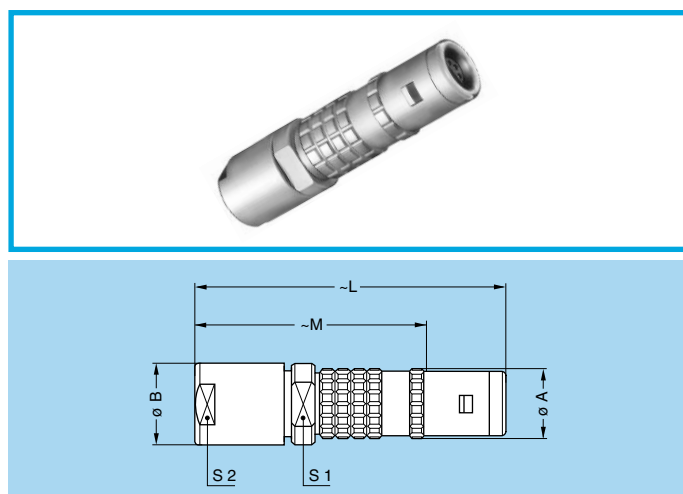


Reference		Dimensions (mm)			
Model	Series	A	L	M	S2
FFA	0E	11	34	23.0	8
FFA	1E	13	42	28.0	9
FFA	2E	16	52	36.0	12
FFA	3E	19	61	41.0	15
FFA	4E	25	71	50.5	19
FFA	5E	38	92	67.0	32
FGG <sup>1)</sup>	6E	47	118	89.0	38

**Note:** <sup>1)</sup> with key (G)

**M1** Cable assembly (pages 179 to 181)

#### FFA Straight plug with oversize cable collet <sup>1)</sup>



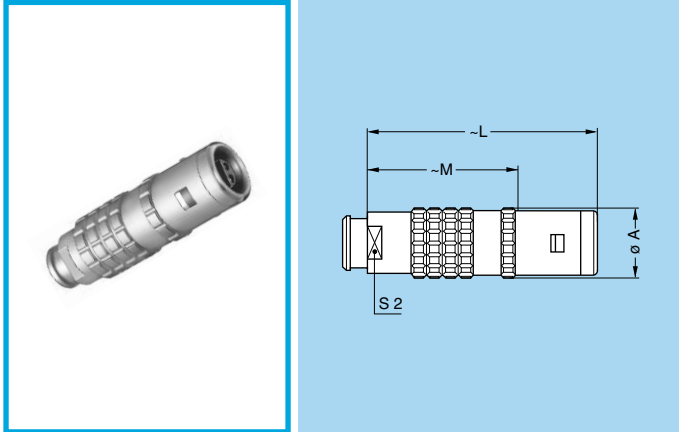
Reference		Dimensions (mm)					
Model	Series	A	B	L	M	S1	S2
FFA	1E	13	14.5	55	41	12	12
FFA	2E	16	17.0	65	49	15	15
FFA	3E	19	22.0	80	60	19	19
FFA	4E	25	36.0	118	84	30	32

**M2** Cable assembly (pages 179 and 181)

**Note:** <sup>1)</sup> correspond to K type of collet, the fitting of oversize collets onto this model allows them to be fitted to the cables that can be accommodated by the next housing size up (see page 119).



### FFA Straight plug, cable collet and nut for fitting a bend relief <sup>1)</sup>

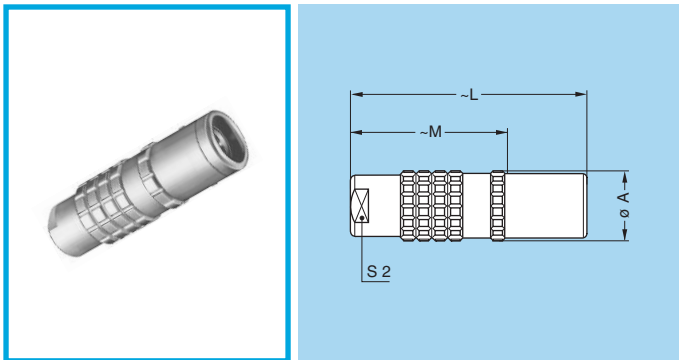


Reference		Dimensions (mm)			
Model	Series	A	L	M	S2
FFA	0E	11	34	23.0	7
FFA	1E	13	42	28.0	9
FFA	2E	16	52	36.0	12
FFA	3E	19	60	40.0	15
FFA	4E	25	71	50.5	19

**M1** Cable assembly (pages 179 and 180)

**Note:** <sup>1)</sup> to order, add a «Z» at the end of the reference. The bend relief must be ordered separately (see page 145).

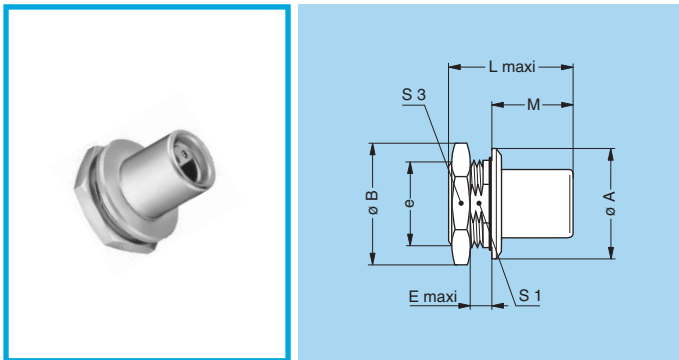
### FFF Straight plug non-latching cable collet



Reference		Dimensions (mm)			
Model	Series	A	L	M	S2
FFF	0E	11	34	23	8
FFF	1E	13	42	28	9

**M1** Cable assembly (pages 179 and 180)

### FAA Fixed plug non-latching, nut fixing

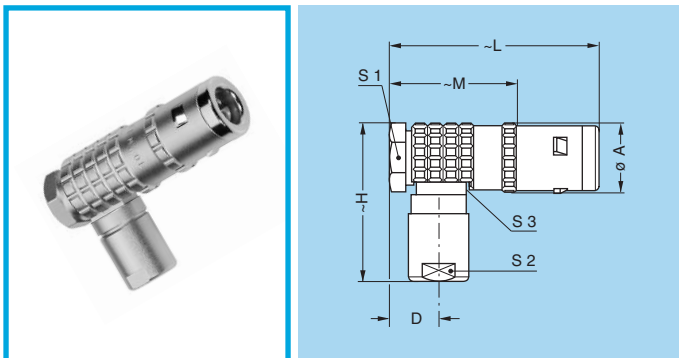


Reference		Dimensions (mm)								
Model	Series	A	B	e	E	L	L <sup>1)</sup>	M	S1	S3
FAA	0E	18	19.2	M14x1.0	3.5	19.5	19.5	13.0	12.5	17
FAA	1E	20	21.5	M16x1.0	3.5	23.0	23.0	16.0	14.5	19
FAA	2E	25	27.0	M20x1.0	4.0	27.0	27.0	18.0	18.5	24
FAA	3E	31	34.0	M24x1.0	4.5	32.5	32.5	22.5	22.5	30

**P1** Panel cut-out (page 159)

**Note:** <sup>1)</sup> unipole model

### FLM Elbow (90°) plug, cable collet

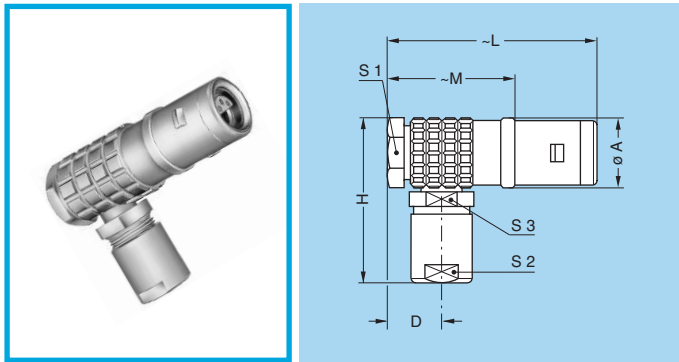


Reference		Dimensions (mm)							
Model	Series	A	D	H	L	M	S1	S2	S3
FLM	0E	11	7.3	25	36	25	9	8	8
FLM	1E	13	8.7	33	42	28	11	9	10
FLM	2E	16	10.2	40	51	35	14	12	13

**M3** Cable assembly (pages 179 and 180)



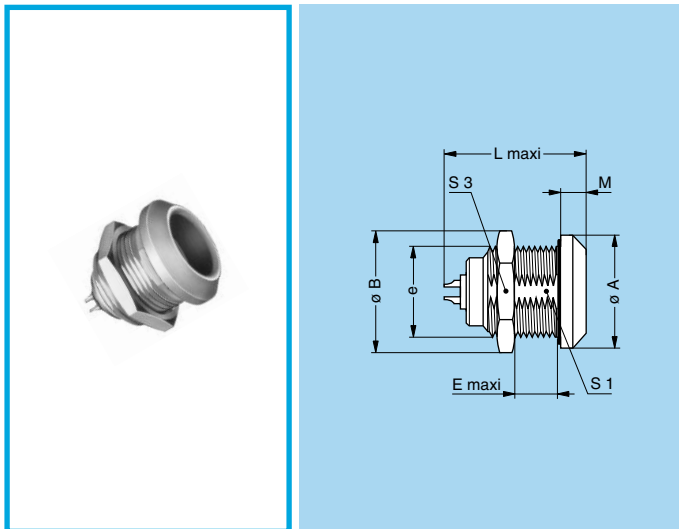
### FLA Elbow (90°) plug, cable collet



Reference		Dimensions (mm)							
Model	Series	A	D	H	L	M	S1	S2	S3
FLA	3E	21.0	11.5	47	60	40.0	18	15	15
FLA	4E	27.5	15.5	57	72	51.5	24	19	20

**M3** Cable assembly (pages 179 and 180)

### ERA Fixed socket, nut fixing



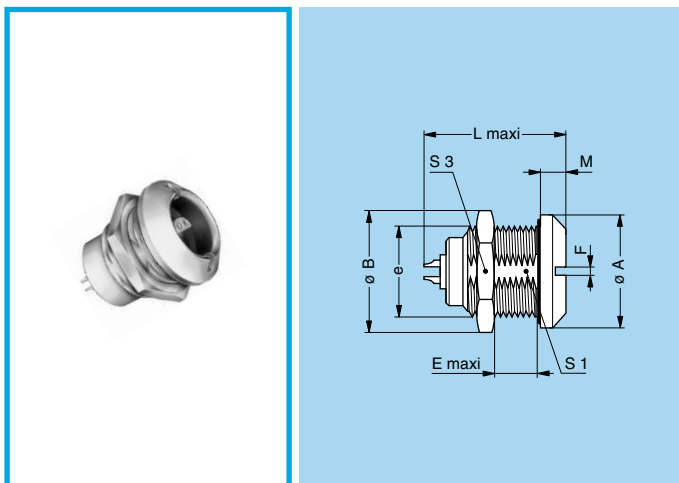
Reference		Dimensions (mm)								
Model	Series	A	B	e	E	L	L <sup>1)</sup>	M	S1	S3
ERA	0E	18	19.2	M14x1.0	5.5	19.5	20.5	4.0	12.5	17
ERA	1E	20	21.5	M16x1.0	9.0	24.0	25.3	4.5	14.5	19
ERA	2E	25	27.0	M20x1.0	9.0	28.5	30.0	5.0	18.5	24
ERA	3E	31	34.0	M24x1.0	11.0	34.0	35.0	6.0	22.5	30
ERA	4E	37	40.5	M30x1.0	9.0	36.0	38.0	6.5	28.5	36
ERA	5E	55	54.0	M45x1.5	10.0	44.5	78.0	9.0	42.5	–
EGG <sup>2)</sup>	6E	65	65.0	M55x2.0	10.5	48.5	–	10.0	52.0	–

**P1** Panel cut-out (page 159)

**Note:** <sup>1)</sup> unipole model.  
<sup>2)</sup> with key (G).

**Note:** The 5E and 6E series are delivered with a round nut.

### ERC Fixed socket, nut fixing with slot in the flange

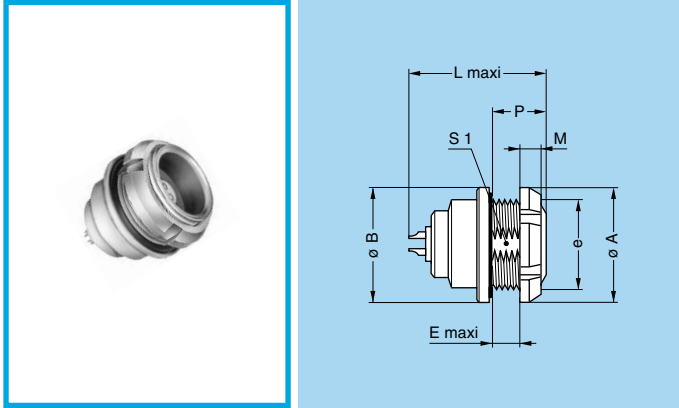


Reference		Dimensions (mm)									
Model	Series	A	B	e	E	F	L	L <sup>1)</sup>	M	S1	S3
ERC	0E	18	19.2	M14x1.0	5.5	1.5	19.5	20.5	4.0	12.5	17
ERC	3E	31	34.0	M24x1.0	11.0	3.0	34.0	35.0	6.0	22.5	30
ERC	4E	37	40.5	M30x1.0	9.0	3.0	36.0	38.0	6.5	28.5	36

**P1** Panel cut-out (page 159)

**Note:** <sup>1)</sup> unipole model.

### EEP Fixed socket, nut fixing (back panel mounting)



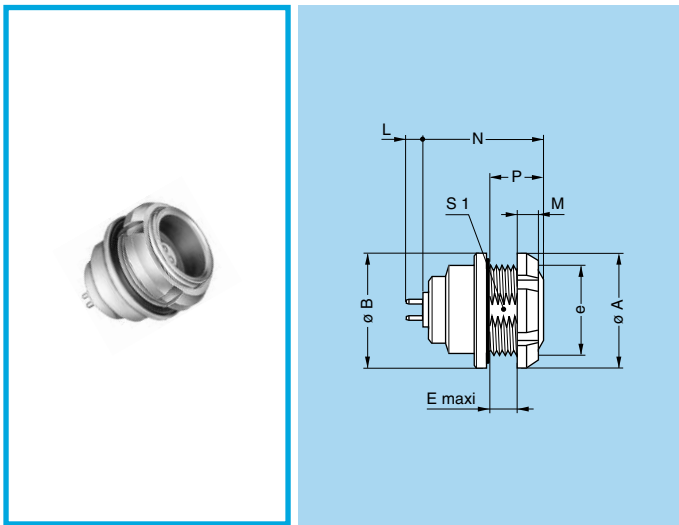
Reference		Dimensions (mm)								
Model	Series	A	B	e	E	L	L <sup>1)</sup>	M	P	S1
EEP	0E	18	18	M14x1.0	3.5	19.5	20.5	3.5	7	12.5
EEP	1E	20	20	M16x1.0	6.5	24.0	25.3	3.5	10	14.5
EEP	2E	25	25	M20x1.0	6.5	28.5	30.0	3.5	10	18.5
EEP	3E	30	31	M24x1.0	7.5	34.0	35.0	4.5	12	22.5

**P1** Panel cut-out (page 159)

**Note:** <sup>1)</sup> unipole model

**Note:** the 3E series is delivered with a conical nut.

### EEP Fixed socket, nut fixing, with straight contact for printed circuit (back panel mounting)



Reference		Dimensions (mm)								
Model	Series	A	B	e	E	M	N	P	S1	
EEP	0E	18	18	M14x1.0	3.5	3.5	16.0	7	12.5	
EEP	1E	20	20	M16x1.0	6.5	3.5	21.5	10	14.5	
EEP	2E	25	25	M20x1.0	6.5	3.5	24.0	10	18.5	
EEP	3E	30	31	M24x1.0	7.5	4.5	29.5	12	22.5	

**P1** Panel cut-out (page 159)

**P21** PCB drilling pattern (page 166)

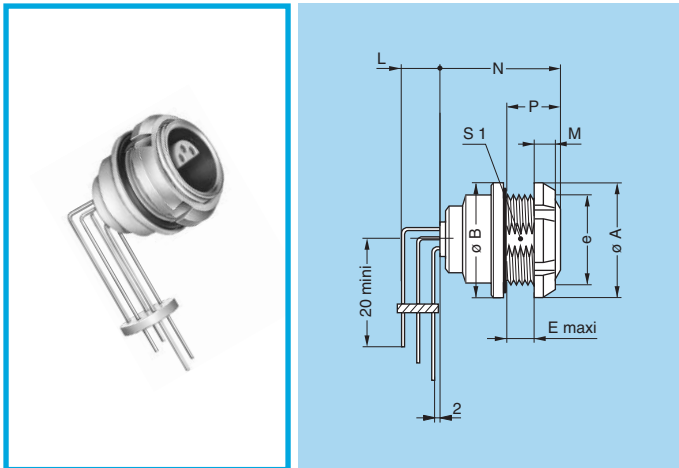
**Note:** The 3E series is delivered with a conical nut.

**Note:** this contact type is available for all E● socket models.

See page 167 for table of available types.

Length «L» depends on the number of contacts, see PCB drilling pattern on page 167.

### EEP Fixed socket, nut fixing, with elbow (90°) contacts for printed circuit (back panel mounting)



Reference		Dimensions (mm)								
Model	Series	A	B	e	E	M	N	P	S1	
EEP	1E	20	20	M16x1.0	6.5	3.5	21.5	10	14.5	
EEP	2E	25	25	M20x1.0	6.5	3.5	24.0	10	18.5	

**P1** Panel cut-out (page 159)

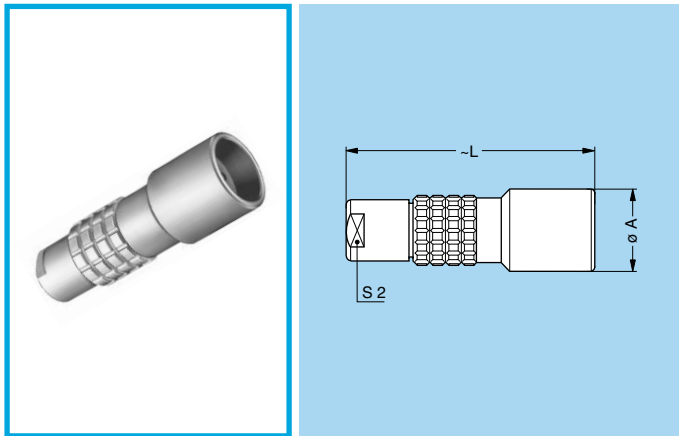
**P24** PCB drilling pattern (page 168)

**Note:** this contact type is available for all back panel mounting socket types. See page 168 for available types.

Length «L» depends on the number of contacts, see PCB drilling pattern on page 168.



### PCA Free socket, cable collet

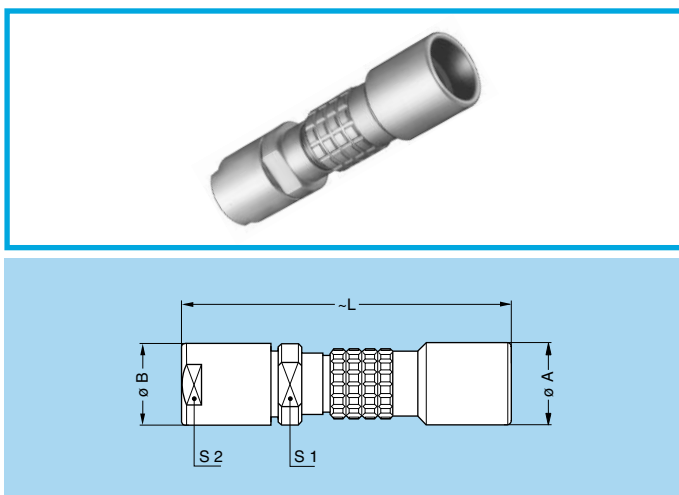


Reference		Dimensions (mm)		
Model	Series	A	L	S2
PCA	0E	13	34.0	8
PCA	1E	15	45.0	9
PCA	2E	19	54.0	12
PCA	3E	23	65.0	15
PCA	4E	29	75.5	19
PCA	5E	42	95.0	32
PHG <sup>1)</sup>	6E	52	125.0	38

Note: <sup>1)</sup> with key (G)

M1 Cable assembly (pages 179 to 181)

### PCA Free socket with oversize cable collet <sup>1)</sup>

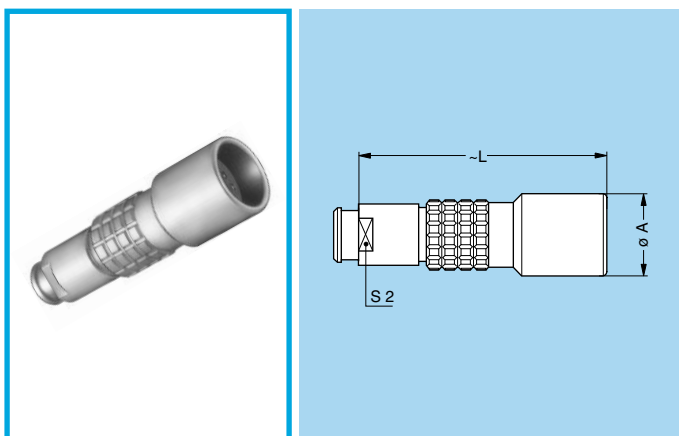


Reference		Dimensions (mm)				
Model	Series	A	B	L	S1	S2
PCA	1E	15	14.5	58.0	12	12
PCA	2E	19	17.0	67.0	15	15
PCA	3E	23	22.0	84.0	19	19
PCA	4E	29	36.0	109.0	30	32

M2 Cable assembly (page 181)

Note: <sup>1)</sup> correspond to K type of collet, the fitting of oversize collets onto this model allows them to be fitted to the cables that can be accommodated by the next housing size up (see page 119).

### PCA Free socket, cable collet and nut for fitting a bend relief <sup>1)</sup>



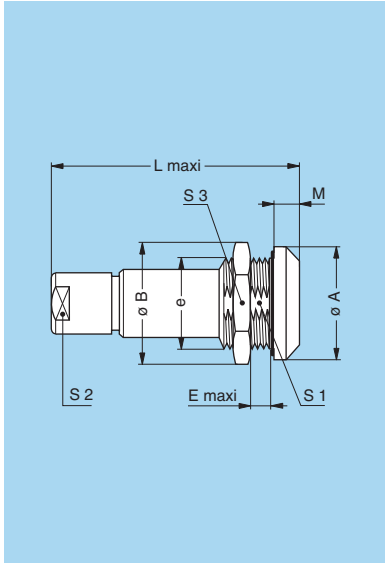
Reference		Dimensions (mm)		
Model	Series	A	L	S2
PCA	0E	13	34.0	7
PCA	1E	15	45.0	9
PCA	2E	19	54.0	12
PCA	3E	23	64.0	15
PCA	4E	29	75.5	19

M1 Cable assembly (pages 179 and 180)

Note: <sup>1)</sup> to order, add a «Z» at the end of the reference. The bend relief must be ordered separately (see page 145).



## PSA Fixed socket, nut fixing, cable collet



Reference		Dimensions (mm)								
Model	Series	A	B	e	E	L	M	S1	S2	S3
PSA	0E	18	19.2	M14x1.0	5.5	34.0	4.0	12.5	8	17
PSA	1E	20	21.5	M16x1.0	9.0	45.0	4.5	14.5	9	19
PSA	2E	25	27.0	M20x1.0	9.0	54.0	5.0	18.5	12	24
PSA	3E	31	34.0	M24x1.0	11.0	65.0	6.0	22.5	15	30
PSA	4E	37	40.5	M30x1.0	9.0	75.5	6.5	28.5	19	36
PSA	5E	51	54.0	M45x1.5	10.0	95.0	9.0	–	32	54
PKG <sup>1)</sup>	6E	65	65.0	M55x2.0	10.5	125.0	10.0	–	38	–

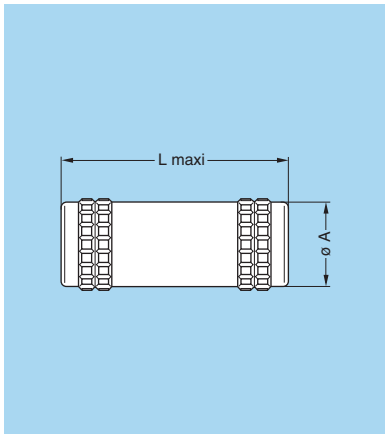
**P1** Panel cut-out (page 159)

**M1** Cable assembly (pages 179 to 181)

**Note:** The 5E and 6E series are delivered with a round nut.

**Note:** <sup>1)</sup> with key (G).

## RMA Free coupler



Reference		Dim. (mm)	
Model	Series	A	L
RMA	0E	14	30
RMA	1E	16	40
RMA	2E	20	44
RMA	3E	25	54
RMA	4E	30	57
RMA	5E	44	67

**Note:** see page 114 for the available plug and contact configurations and in order to ensure correct contact alignment.





## Watertight or vacuumtight models

These socket or coupler models allow the device on which they are fitted to reach a protection index of IP 68 as per IEC 60529. They are fully compatible with plugs of the same series and are widely used for portable radios, military, laboratory equipment, aviation, etc.

These models are identified by a letter «P» at the end of the reference.

Most of these models are also available in a vacuumtight version. Such models are identified by an additional letter «V» at the end of the part number (certificate on request).

Epoxy resin is used to seal these models.

### Technical Characteristics

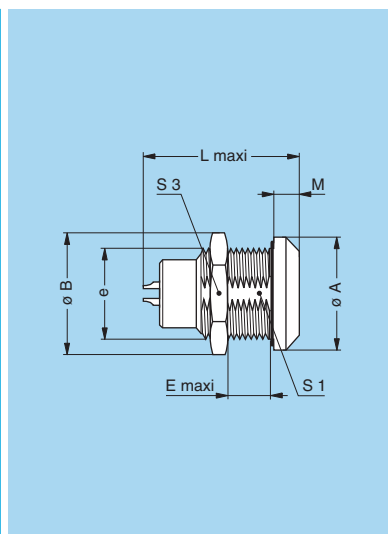
#### Mechanical and Climatical

Characteristics	Value	Standard
Endurance <sup>1)</sup>	> 5000 cycles	IEC 60512-5 test 9a
Humidity	up to 95% at 60° C	
Temperature range	0E-1E	- 20° C, + 100° C
	2E-6E	- 20° C, + 80° C
Salt spray corrosion test	> 1000h	IEC 60512-6 test 11f
Climatical category	20/80/21	IEC 60068-1
Leakage rate (He) <sup>2)</sup>	< 10 <sup>-7</sup> mbar.l.s <sup>-1</sup>	IEC 60512-7 test 14b

Characteristics	Value	Standard	
Maximum operating pressure <sup>3)</sup>	0E	60 bar	IEC 60512-7 test 14d
	1E	60 bar	IEC 60512-7 test 14d
	2E	40 bar	IEC 60512-7 test 14d
	3E	30 bar	IEC 60512-7 test 14d
	4E	15 bar	IEC 60512-7 test 14d
	5E	5 bar	IEC 60512-7 test 14d
6E	5 bar	IEC 60512-7 test 14d	

**Note:** <sup>1)</sup> see page 189, contact resistance after mating cycles. See page 185, mechanical endurance latching force. <sup>2)</sup> only for vacuumtight models. <sup>3)</sup> this value corresponds to the maximum allowed pressure difference for the assembled socket.

### HGP Fixed socket, nut fixing, watertight or vacuumtight



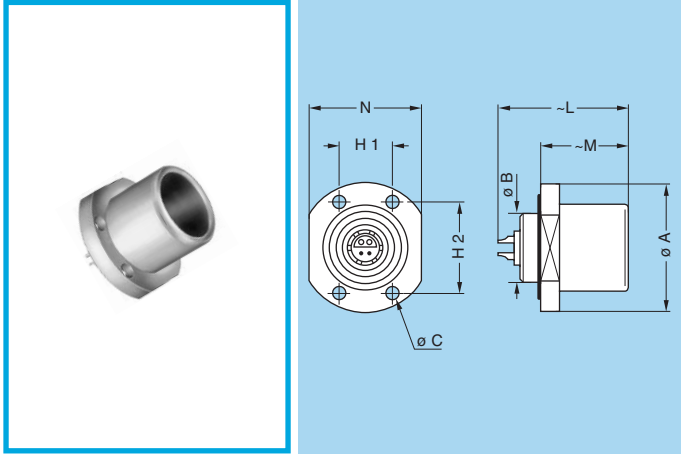
Reference		Dimensions (mm)								
Model	Series	A	B	e	E	L	L <sup>1)</sup>	M	S1	S3
HGP	0E	18	19.2	M14x1.0	5.5	23.5	22.0	4.0	12.5	17
HGP	1E	20	21.5	M16x1.0	9.0	29.5	28.0	4.5	14.5	19
HGP	2E	25	27.0	M20x1.0	10.5	32.5	28.0	5.0	18.5	24
HGP	3E	31	34.0	M24x1.0	15.5	39.5	38.5	6.0	22.5	30
HGP	4E	37	40.5	M30x1.0	17.5	43.0	44.0	6.5	28.5	36
HGP	5E	55	54.0	M45x1.5	20.0	52.0	76.0	9.0	42.5	–
HGP <sup>2)</sup>	6E	65	65.0	M55x2.0	20.5	52.0	–	10.0	52.0	–

**P1** Panel cut-out (page 159)

**Note:** <sup>1)</sup> unipole model.  
<sup>2)</sup> with key (G).

**Note:** The 5E and 6E series are delivered with a round nut.

### EBR Fixed socket with round flange, watertight, protruding shell and screw fixing



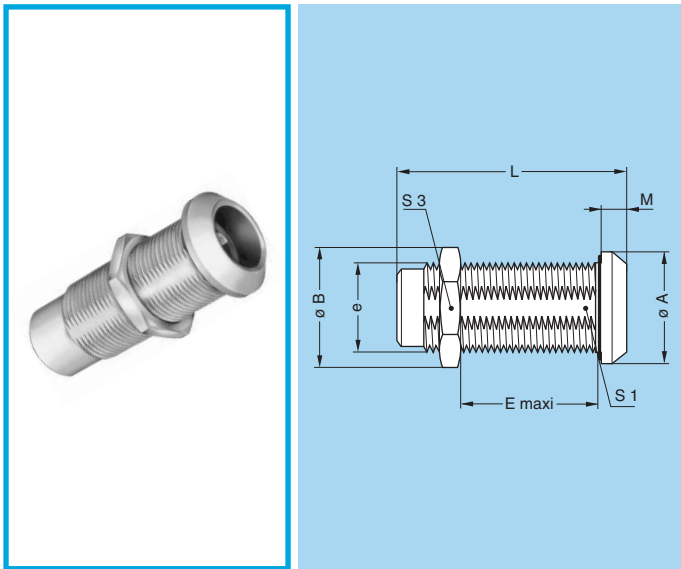
Reference		Dimensions (mm)								
Model	Series	A	B	C	H1	H2	L	L <sup>1)</sup>	M	N
<b>EBR</b>	<b>2E</b>	28	15	2.8	11.8	20.4	32.5	28	19	25

**P6** Panel cut-out (page 159)

**Note:** <sup>1)</sup> unipole model.

**Note:** This model is only available in a watertight version.

### SWH Fixed coupler, nut fixing, watertight or vacuumtight



Reference		Dimensions (mm)								
Model	Series	A	B	e	E	L	M	S1	S3	
<b>SWH</b>	<b>0E</b>	18	19.2	M14x1.0	22.5	36.0	4.0	12.5	17	
<b>SWH</b>	<b>1E</b>	20	21.5	M16x1.0	30.5	47.0	4.5	14.5	19	
<b>SWH</b>	<b>2E</b>	25	27.0	M20x1.0	28.0	52.4	5.0	18.5	24	
<b>SWH</b>	<b>3E</b>	31	34.0	M24x1.0	33.0	64.2	6.0	22.5	30	
<b>SWH</b>	<b>4E</b>	37	40.5	M30x1.0	44.5	70.0	6.5	28.5	36	
<b>SWH</b>	<b>5E</b>	55	54.0	M45x1.5	47.0	81.0	9.0	42.5	–	
<b>SWH<sup>1)</sup></b>	<b>6E</b>	65	65.0	M55x2.0	12.0	76.0	10.0	–	–	

**P1** Panel cut-out (page 159)

**Note:** <sup>1)</sup> with key (G).

**Note:** The 5E and 6E series are delivered with a round nut.

**Note:** See page 114 for the available plug and contact configurations and in order to ensure correct contact alignment.



## Insert configuration (S and E series)

### Unipole

Number of LV contacts	Solder contacts		Reference	Series		Contact $\phi$ (mm)	Contact type				AWG		Test voltage (kV rms) <sup>1)</sup>	Test voltage (kV dc) <sup>1)</sup>	Rated current (A) <sup>1)</sup>	
				Standard	Watertight		Solder	Crimp	Print (straight)	Print (elbow)	Solder (max.)	Crimp				
												min.				max.
1			113	00	-	1.3	● <sup>2)</sup>	●	-	-	20	26	18	0.8	1.2	8
				0S	0E	1.6	● <sup>2)</sup>	-	-	-	18	-	-	1.5	2.1	12
			120	1S	1E	2.0	● <sup>2)</sup>	-	-	-	16	-	-	1.9	2.7	18
				1S	1E	3.0	●	-	-	-	12	-	-	1.5	2.1	25
			130	2S	2E	3.0	●	-	-	-	12	-	-	2.1	3.0	30
				2S	2E	4.0	●	-	-	-	10	-	-	1.7	2.4	40
			140	3S	3E	4.0	●	-	-	-	10	-	-	2.3	3.3	43
				4S	-	4.0	●	-	-	-	10	-	-	3.0	4.2	46
			160	3S	3E	6.0	●	-	-	-	8	-	-	1.7	2.4	65
				4S	4E	6.0	●	-	-	-	8	-	-	2.7	3.9	70
			112	5S	5E	12.0	●	-	-	-	0	-	-	1.5	2.1	230

**Note:** <sup>1)</sup> see calculation method, caution and suggested standard on page 190. <sup>2)</sup> also available with inversed contacts: plug = female, socket = male.

● First choice alternative    ○ Special order alternative

# Multipole

Number of LV contacts	Solder contacts		Reference	Series		Contact ø (mm)	Contact type				AWG			Test voltage (kV rms) <sup>1)2)</sup>	Test voltage (kV dc) <sup>1)2)</sup>	Rated current (A) <sup>1)</sup>
				Standard	Watertight		Solder	Crimp	Print (straight)	Print (elbow)	Solder (max.)	Crimp				
	Crimp contacts										min.	max.				
<b>2</b>			<b>302</b>	0S	0E	0.9	●	●	●	●	22	32	20	1.1	1.6	10 <sup>3)</sup>
				1S	1E	1.3	●	●	●	●	20	26	18	1.2	1.8	15 <sup>3)</sup>
				2S	2E	1.6	●	○	●	○	18	22	14	1.7	2.4	20 <sup>4)</sup>
				3S	3E	2.0	●	-	○	-	16	-	-	3.0	4.2	23
				4S	4E	4.0	●	-	○	-	10	-	-	2.1	3.0	35
				5S	5E	6.0	●	-	-	-	8	-	-	3.7	5.2	50
<b>3</b>			<b>303</b>	0S	0E	0.7	●	●	●	●	26	32	22	1.0	1.5	7 <sup>3)</sup>
				1S	1E	0.9	●	●	●	●	22	32	20	1.2	1.8	10 <sup>3)</sup>
				2S	2E	1.3	●	○	●	○	20	26	18	1.5	2.1	15 <sup>4)</sup>
				3S	3E	2.0	●	-	○	-	16	-	-	1.5	2.1	20
				4S	4E	3.0	●	-	○	-	12	-	-	2.1	3.0	25
				5S	5E	1x6.0 2x4.0	●	-	-	-	8 10	-	-	3.7	5.2	50 35
<b>3</b>			<b>303</b>	-	6E	6.0	●	-	-	-	8	-	-	3.0	4.2	50
<b>4</b>			<b>304</b>	0S	0E	0.7	●	●	●	●	26	32	22	1.0	1.5	7 <sup>3)</sup>
				1S	1E	0.9	●	●	●	●	22	32	20	1.2	1.8	10 <sup>3)</sup>
				2S	2E	1.3	●	○	●	○	20	26	18	1.7	2.4	15 <sup>4)</sup>
				3S	3E	2.0	●	-	○	-	16	-	-	1.5	2.1	18
				4S	4E	3.0	●	-	○	-	12	-	-	2.1	3.0	22
				5S	5E	4.0	●	-	-	-	10	-	-	3.7	5.2	35
				6S	6E	8.0	●	-	-	-	4	-	-	3.0	4.2	60
<b>5</b>			<b>305</b>	1S	1E	2x0.9 3x0.7	●	○	●	●	22 26	32	20 22	1.5	2.1	10 <sup>3)</sup> 7 <sup>3)</sup>
				2S	2E	1.3	●	○	●	○	20	26	18	1.5	2.1	13 <sup>4)</sup>
				3S	3E	2x2.0 3x1.3	●	-	○	-	16 20	-	-	1.5	2.1	18 14
				4S	4E	2x3.0 3x2.0	●	-	○	-	12 16	-	-	2.1	3.0	22 16
				5S	5E	2x4.0 3x3.0	●	-	-	-	10 12	-	-	3.0	4.2	35 25

**Note:** 1) see calculation method, caution and suggested standard on page 190. 2) lowest measured value; contact to contact or contact to shell. 3) rated current = 6A for socket with elbow (90°) contacts for printed circuit. 4) rated current = 12A for socket with elbow (90°) contacts for printed circuit.

● First choice alternative    ○ Special order alternative



# Multipole

Number of LV contacts	Solder contacts		Reference	Series		Contact ø (mm)	Contact type				AWG			Test voltage (kV rms) <sup>1) 2)</sup>	Test voltage (kV dc) <sup>1) 2)</sup>	Rated current (A) <sup>1)</sup>
	Crimp contacts			Standard	Watertight		Solder	Crimp	Print (straight)	Print (elbow)	Solder (max.)	Crimp				
											min.	max.				
<b>6</b>			<b>306</b>	0S	0E	0.5	●	○	●	○	28	32	28	0.9	1.3	2.5
				1S	1E	0.7	●	○	●	●	26	32	22	1.2	1.7	7 <sup>3)</sup>
				2S	2E	1.3	●	● <sup>4)</sup>	●	●	20	26	18	1.5	2.1	12
				3S	3E	1.3	●	-	●	-	20	-	-	2.1	3.0	14
				4S	4E	2.0	●	-	○	-	16	-	-	2.1	3.0	16
				5S	5E	3.0	●	-	-	-	12	-	-	3.0	4.2	25
<b>7</b>			<b>307</b>													
				2S	2E	3x1.3 4x0.9	●	○	●	●	20 22	26 32	18 20	0.8	1.2	12 <sup>3)</sup> 9 <sup>3)</sup>
				3S	3E	1.3	●	-	●	-	20	-	-	1.0	1.5	12
				4S	4E	3x2.0 4x1.3	●	-	○	-	16 20	-	-	2.1	3.0	16 13
<b>8</b>			<b>308</b>													
				2S	2E	0.9	●	○	●	●	22	32	20	0.8	1.2	9 <sup>3)</sup>
				3S	3E	1.3	●	-	●	○	20	-	-	1.0	1.5	10
				4S	4E	1.3	●	-	○	-	20	-	-	2.7	3.9	13
<b>9</b>			<b>309</b>													
				4S	4E	1.3	●	-	○	-	20	-	-	2.1	3.0	12
<b>10</b>			<b>310</b>													
				2S	2E	0.9	●	○	●	●	22	32	20	0.8	1.2	7 <sup>3)</sup>
				3S	3E	1.3	●	-	●	●	20	-	-	1.0	1.5	9
<b>10</b>			<b>310</b>													
				4S	4E	1.3	●	-	○	-	20	-	-	2.1	3.0	11
				5S	5E	2.0	●	-	-	-	16	-	-	2.1	3.0	18

**Note:** 1) see calculation method, caution and suggested standard on page 190. 2) lowest measured value; contact to contact or contact to shell. 3) rated current = 6A for socket with elbow (90°) contacts for printed circuit. 4) only for FFL model.

● First choice alternative    ○ Special order alternative

## Multipole

Number of LV contacts	Solder contacts		Reference	Series		Contact $\phi$ (mm)	Contact type				AWG		Test voltage (kV rms) <sup>1) 2)</sup>	Test voltage (kV dc) <sup>1) 2)</sup>	Rated current (A) <sup>1)</sup>	
				Standard	Watertight		Solder	Crimp	Print (straight)	Print (elbow)	Solder (max.)	Crimp				
	Crimp contacts										min.	max.				
12			312	3S	3E	0.9	●	–	●	●	22	–	–	1.5	2.1	8
12			312	4S	4E	1.3	●	–	○	–	20	–	–	2.1	3.0	9
				6S	–	4.0	●	–	–	–	10	–	–	2.1	3.0	22
				–	6E	5.0	●	–	–	–	8	–	–	2.1	3.0	22
12			312	5S	5E	2.0	●	–	–	–	16	–	–	2.1	3.0	18
13			313	3S	3E	0.9	●	–	●	○	22	–	–	1.5	2.1	8
13			313	4S	–	1.3	●	–	○	–	20	–	–	2.1	3.0	9
14			314	3S	3E	0.9	●	–	●	●	22	–	–	1.5	2.1	7
14			314	4S	4E	1.3	●	–	○	–	20	–	–	2.1	3.0	9

**Note:** 1) see calculation method, caution and suggested standard on page 190. 2) lowest measured value; contact to contact or contact to shell.

● First choice alternative    ○ Special order alternative



## Multipole

Number of LV contacts	Solder contacts		Reference	Series		Contact $\phi$ (mm)	Contact type				AWG		Test voltage (kV rms) <sup>1) 2)</sup>	Test voltage (kV dc) <sup>1) 2)</sup>	Rated current (A) <sup>1)</sup>	
				Standard	Watertight		Solder	Crimp	Print (straight)	Print (elbow)	Solder (max.)	Crimp				
	Crimp contacts										min.	max.				
14			314	5S	5E	2x3.0 12x2.0	●	-	-	-	12 16	-	-	1.8	2.4	20 15
16			316	3S	3E	0.9	●	-	●	●	22	-	-	1.0	1.5	7
				4S	4E	0.9	●	-	○	-	22	-	-	2.1	3.0	7
16			316	5S	5E	2.0	●	-	-	-	16	-	-	1.8	2.4	15
16			316	-	6E	3.0	●	-	-	-	12	-	-	1.5	2.1	14
18			318	3S	3E	0.9	●	-	●	○	22	-	-	1.0	1.5	6
				4S	4E	0.9	●	-	○	-	22	-	-	2.1	3.0	7
18			318	5S	5E	2x3.0 16x1.6	●	-	-	-	12 18	-	-	1.8	2.4	18 11
18			318	6S	-	4.0	●	-	-	-	10	-	-	1.2	1.8	16

**Note:** <sup>1)</sup> see calculation method, caution and suggested standard on page 190. <sup>2)</sup> lowest measured value; contact to contact or contact to shell.

● First choice alternative    ○ Special order alternative

# Multipole

Number of LV contacts	Solder contacts		Reference	Series		Contact $\phi$ (mm)	Contact type				AWG		Test voltage (kV rms) <sup>1) 2)</sup>	Test voltage (kV dc) <sup>1) 2)</sup>	Rated current (A) <sup>1)</sup>		
				Standard	Watertight		Solder	Crimp	Print (straight)	Print (elbow)	Solder (max.)	Crimp					
	Crimp contacts										min.	max.					
20			320	4S	4E	0.9	●	-	○	-	22	-	-	2.1	3.0	7	
20			320	5S	5E	1.6	●	-	-	-	18	-	-	1.8	2.4	11	
20			320	6S	-	3.0	●	-	-	-	12	-	-	1.5	2.1	14	
20			320	-	6E	3.0	●	-	-	-	12	-	-	1.5	2.1	14	
22			322	4S	4E	0.9	●	-	○	-	22	-	-	2.1	3.0	7	
22			322	5S	5E	2x3.0 20x1.6	●	-	-	-	12 18	-	-	1.8	2.4	16 9	
24			324	4S	4E	0.9	●	-	○	-	22	-	-	2.1	3.0	7	
					5S	5E	1.6	●	-	-	-	18	-	-	2.7	3.9	9
					6S	-	3.0	●	-	-	-	12	-	-	1.2	1.8	12

**Note:** 1) see calculation method, caution and suggested standard on page 190. 2) lowest measured value; contact to contact or contact to shell.

● First choice alternative    ○ Special order alternative





## Multipole

Number of LV contacts	Solder contacts		Reference	Series		Contact $\phi$ (mm)	Contact type				AWG		Test voltage (kV rms) <sup>1) 2)</sup>	Test voltage (kV dc) <sup>1) 2)</sup>	Rated current (A) <sup>1)</sup>	
				Standard	Watertight		Solder	Crimp	Print (straight)	Print (elbow)	Solder (max.)	Crimp				
	Crimp contacts										min.	max.				
24			324	-	6E	3.0	●	-	-	-	12	-	-	1.2	1.8	12
30			330	5S	5E	1.3	●	-	-	-	20	-	-	1.8	2.4	8
30			330	6S	6E	2.0	●	-	-	-	16	-	-	2.1	3.0	10
32			332	-	6E	2.0	●	-	-	-	16	-	-	1.5	2.1	10
36			336	5S	5E	1.3	●	-	-	-	20	-	-	1.8	2.4	7
36			336	6S	-	2.0	●	-	-	-	16	-	-	1.5	2.1	8
36			336	-	6E	30x1.3 6x5.0	●	-	-	-	20 8	-	-	1.5	2.1	4 22

**Note:** <sup>1)</sup> see calculation method, caution and suggested standard on page 190. <sup>2)</sup> lowest measured value; contact to contact or contact to shell.

● First choice alternative    ○ Special order alternative

# Multipole

Number of LV contacts	Solder contacts		Reference	Series		Contact $\phi$ (mm)	Contact type				AWG		Test voltage (kV rms) <sup>1) 2)</sup>	Test voltage (kV dc) <sup>1) 2)</sup>	Rated current (A) <sup>1)</sup>	
				Standard	Watertight		Solder	Crimp	Print (straight)	Print (elbow)	Solder (max.)	Crimp				
	Crimp contacts										min.	max.				
40			340	5S	5E	1.3	●	-	-	-	20	-	-	1.2	1.8	7
				-	6E	2.0	●	-	-	-	16	-	-	1.5	2.1	8
44			344	5S	5E	1.3	●	-	-	-	20	-	-	1.2	1.8	6
48			348	5S	5E	1.3	●	-	-	-	20	-	-	1.2	1.8	6
				6S	6E	2.0	●	-	-	-	16	-	-	1.5	2.1	7
60			360	6S	6E	1.6	●	-	-	-	18	-	-	1.5	2.1	5
62			362		6E	1.6	●	-	-	-	18	-	-	1.5	2.1	5
64			364	6S	6E	1.3	●	-	-	-	20	-	-	1.2	1.8	4
72			372	6S	6E	1.3	●	-	-	-	20	-	-	1.2	1.8	4

**Note:** 1) see calculation method, caution and suggested standard on page 190. 2) lowest measured value; contact to contact or contact to shell.

● First choice alternative    ○ Special order alternative



## Multipole

Number of LV contacts	Solder contacts		Reference	Series		Contact $\phi$ (mm)	Contact type				AWG		Test voltage (kV rms) <sup>1) 2)</sup>	Test voltage (kV dc) <sup>1) 2)</sup>	Rated current (A) <sup>1)</sup>	
				Standard	Watertight		Solder	Crimp	Print (straight)	Print (elbow)	Solder (max.)	Crimp				
	Crimp contacts										min.	max.				
106			106	-	6E	0.9	●	-	-	-	22	-	-	0.8	1.2	2
106			106	6S	-	0.9	●	-	-	-	22	-	-	0.8	1.2	2

**Note:** <sup>1)</sup> see calculation method, caution and suggested standard on page 190. <sup>2)</sup> lowest measured value; contact to contact or contact to shell.

● First choice alternative    ○ Special order alternative

## Housings (S and E series)

Ref.	Outer shell and collet nut		Latch sleeve + earthing crown		Other metallic components		Remarks	Note
	Material	Surf. treatment	Material	Surf. treatment	Material	Surf. treatment		
<b>C</b>	Brass	chrome	brass/bronze	nickel <sup>2)</sup>	brass	nickel		●
<b>D</b>	Brass	gold-plated	brass/bronze	nickel <sup>2)</sup>	brass	nickel		○
<b>N</b>	Brass	nickel	brass/bronze	nickel <sup>2)</sup>	brass	nickel		○
<b>K</b>	Brass	black chrome <sup>3)</sup>	brass/bronze	nickel <sup>2)</sup>	brass	nickel		●
<b>S</b>	Stainless steel	–	brass/bronze	nickel <sup>2)</sup>	brass	nickel		○
<b>T</b>	Stainless steel	–	stainless steel	–	brass	nickel		○
<b>U</b>	Stainless steel	–	stainless steel	–	stainless steel	–		○
<b>L</b>	Aluminium alloy	anodized	brass/bronze	nickel <sup>2)</sup>	brass	nickel	<sup>1)</sup>	○
<b>B</b>	POM (black)	–	brass/bronze	nickel <sup>2)</sup>	brass	nickel	Only for FFP, ERN and PCP (S series)	●
<b>G</b>	PEEK (natural)	–	brass/bronze	nickel <sup>2)</sup>	brass	nickel	Only for FFP, ERN and PCP (S series)	●
<b>P</b>	PSU	–	brass/bronze	nickel <sup>2)</sup>	brass	nickel	Only for FFL (S series) <sup>1)</sup>	●
<b>R</b>	PPSU	–	brass/bronze	nickel <sup>2)</sup>	brass	nickel	Only for FFL (S series) <sup>1)</sup>	●
<b>H</b>	PPS/brass	–/nickel	brass/bronze	nickel <sup>2)</sup>	brass	nickel	Only for EPL and EXP (S series)	●

**Note:** detailed characteristics of these materials and treatments are presented on page 182.

<sup>1)</sup> see «variant» for the colour.

<sup>2)</sup> in the E series, the latch sleeve is chrome-plated.

<sup>3)</sup> surface not conductive use socket with earthing tag (ERN model) to carry shield.

● First choice alternative  
○ Special order alternative

## Insulators (S and E series)

Ref.	Material	Contact type	Remarks	Note
<b>L</b>	PEEK	Solder or print		●
<b>Y</b>	PEEK	Crimp		●
<b>T</b>	PTFE	Solder	only for unipole types	●
<b>T</b>	FEP	Solder	only for multipole types of the S or E series	○
<b>V</b>	PI	Solder	only for multipole types of the S or E series	○
<b>N</b>	PA6.6	Solder	material for 5S/5E and 6S/6E series multipole inserts	●

**Note:** detailed characteristics of these materials are presented on page 187.

● First choice alternative    ○ Special order alternative

## Contacts (S and E series)

### Soldering characteristics

- no need to order specific tools, a simple soldering iron is sufficient
- ideal for very small and fragile conductors
- contacts with solder cups to allow the solder to flow

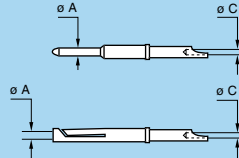
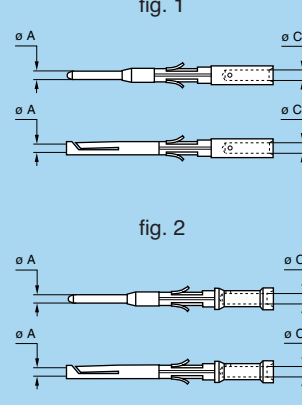
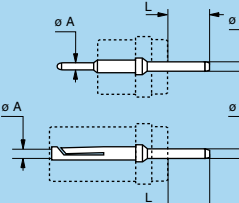
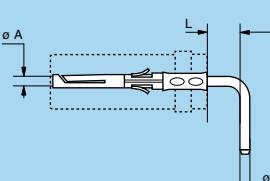
**Note:** see page 188 for more information.

### Crimping characteristics

- practical, quick contact fixing outside the insulator
- possible use at high temperature
- need to order specific tools
- no risk of heating the insulator during the conductor-contact fixing
- high tensile strength
- totally lead-free solution



### Contacts reference for plugs, free or fixed sockets

Contact type	Reference		Contact			Conductor						F <sub>r</sub> <sup>1)</sup> (N)	Notes	
	Male	Female	ø A (mm)	ø C (mm)	Form per fig.	Solid		Stranded						
						AWG max.	Section max. (mm <sup>2</sup> )	AWG		Section (mm <sup>2</sup> )				
								min.	max.	min.	max.			
Solder  	<b>A</b>	<b>L</b>	0.5	0.45	–	28	0.09	–	28	–	0.09	–	–	●
			0.7	0.60	–	24	0.25	–	26	–	0.14	–	–	
			0.9	0.80	–	22	0.34	–	22 <sup>2)</sup>	–	0.34	–	–	
			1.3	1.00	–	20	0.50	–	20 <sup>2)</sup>	–	0.50	–	–	
			1.6	1.40	–	16	1.00	–	18	–	1.00	–	–	
			2.0	1.80	–	14	1.50	–	16	–	1.50	–	–	
			3.0	2.70	–	10	4.00	–	12	–	4.00	–	–	
			4.0	3.70	–	10	6.00	–	10	–	6.00	–	–	
			5.0	5.20	–	–	–	–	8	–	10.00	–	–	
			6.0	5.20	–	–	–	–	8	–	10.00	–	–	
			8.0	7.00	–	–	–	–	4	–	21.00	–	–	
			12.0	11.50	–	–	–	–	0	–	50.00	–	–	
Crimp  	<b>C</b>	<b>M</b>	0.7	0.80	1	–	–	26	22 <sup>2)</sup>	0.140	0.34	22	●	
	<b>B</b>	<b>P</b>	0.7	0.45	2	–	–	32	28	0.035	0.09	22	○	
	<b>C</b>	<b>M</b>	0.9	1.10	1	–	–	24	20	0.250	0.50	30	●	
	<b>B</b>	<b>P</b>	0.9	0.80	2	–	–	26	22 <sup>2)</sup>	0.140	0.34	30	○	
	<b>G</b>	<b>U</b>	0.9	0.45	2	–	–	32	28	0.035	0.09	30	○	
	<b>C</b>	<b>M</b>	1.3	1.40	1	–	–	20	18	0.500	1.00	40	●	
	<b>B</b>	<b>P</b>	1.3	1.10	2	–	–	24	20	0.250	0.50	40	○	
	<b>G</b>	<b>U</b>	1.3	0.80	2	–	–	26	22 <sup>2)</sup>	0.140	0.34	40	○	
	<b>C</b>	<b>M</b>	1.6	1.90	1	–	–	18	14 <sup>2)</sup>	1.000	1.50	50	●	
	<b>B</b>	<b>P</b>	1.6	1.40	2	–	–	22	18	0.340	1.00	50	○	
	<b>C</b>	<b>M</b>	2.0	2.40	1	–	–	16	12 <sup>2)</sup>	1.500	2.50	65	●	
	<b>B</b>	<b>P</b>	2.0	1.90	2	–	–	18	14	1.500	1.50	65	○	
Print  	<b>D</b>	<b>N</b>	L dimensions and C are detailed in the section on PCB drilling pattern. See page 167.										●	
Print (elbow)  	<b>V</b>	<b>V</b>	L dimensions and C are detailed in the section on PCB drilling pattern. See page 168.										●	

**Note:** 1) contact retention force in the insulator (according to IEC 60512-8 test 15 a).

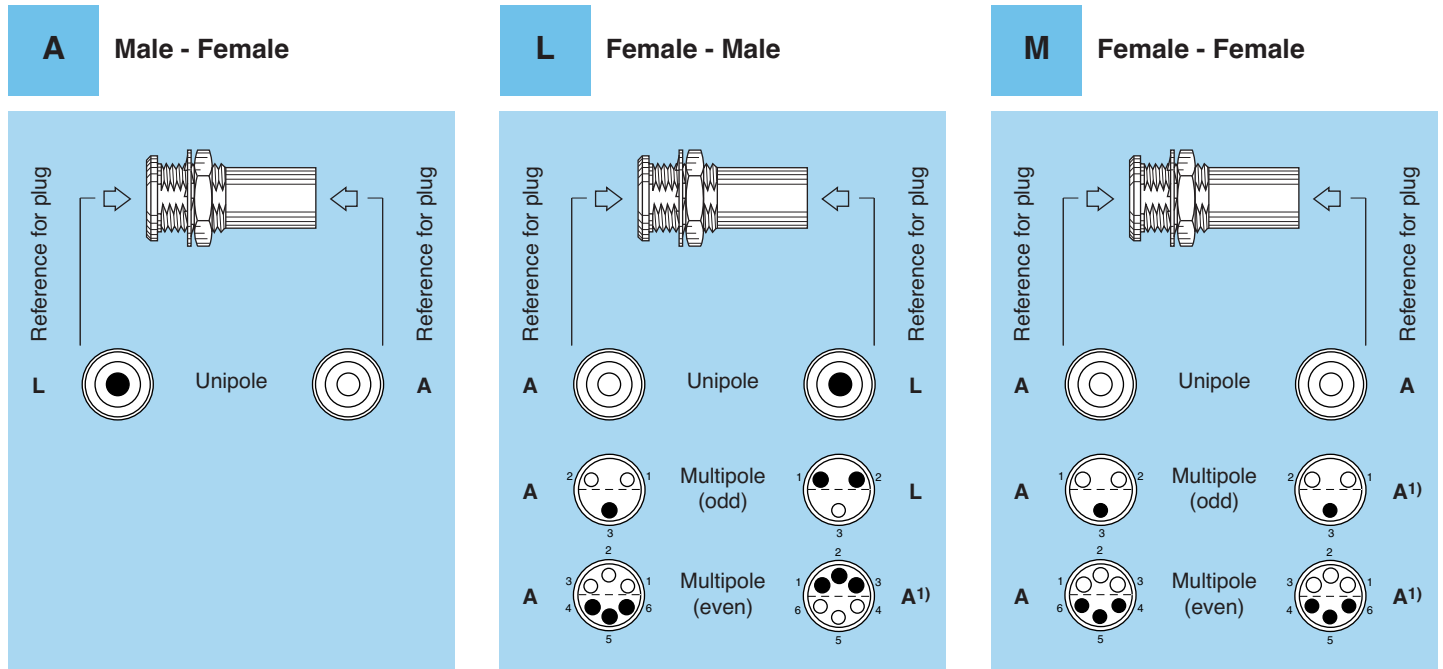
2) for a given AWG, the diameter of some stranded conductor designs is larger than the solder cup diameter. Make sure that the maximum conductor diameter is smaller than ø C.

● First choice alternative    ○ Special order alternative

### Contacts reference for coupler and plug with socket

Ref.	Contact type	Remarks
<b>A</b>	Male - Female	contact configuration is explained below
<b>L</b>	Female - Male	contact configuration is explained below
<b>M</b>	Female - Female	contact configuration is explained below

### Contacts reference for fixed and free couplers RMA, RAD and SWH



### Use of plugs for mating with RAD, RMA and SWH couplers

#### Unipole type:

- Reference M for coupling two identical plugs fitted with male contact (contact reference A).
- Reference L for coupling a plug fitted with male contacts (contact reference A) at the flange end for RAD and SWH and an inverted plug fitted with female contacts (contact reference L) at the other end.
- Reference A for the inverted version of code L.

#### Multipole type:

- Reference L for coupling a standard plug (contact reference A) at the flange end for RAD and SWH and an inverted plug (contact reference as indicated in the above table) at the other end.
- Reference M for coupling two standard plugs (contact type A). Only available for RAD and RMA models.

**Note:** <sup>1)</sup> this connector combination does not allow for contact numbering. One of the plugs has to be cable mounted in a way to ensure correct signal continuity.



## Collets (S and E series)

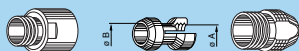
### C, K and L type collets for S series

C type



K type

oversize  
cable collet



L type

(non EMC)



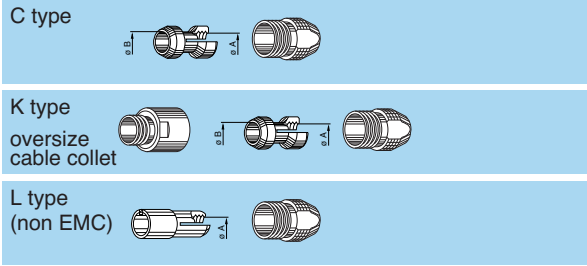
	Reference		Collet ø		Cable ø		Notes
	Type	Code	ø A	ø B	max.	min.	
<b>00</b>	C	17	1.7	1.5	1.7	1.3	
	C	22	2.2	–	2.2	> 1.7	
	C	27	2.7	–	2.7	> 2.2	
	C	31	3.1	2.7	3.1	> 2.7	
	K	37	3.7	–	3.7	> 3.2	
	K	42	4.2	3.7	4.4	> 3.7	
	L	27	2.7	–	2.6	2.2	<sup>2)</sup>
	L	31	3.1	–	3.0	2.6	<sup>2)</sup>
<b>0S</b>	C	22	2.2	–	2.2	1.3	<sup>3)</sup>
	C	32	3.2	–	3.2	> 2.2	
	C	37	3.7	–	3.7	> 3.2	
	C	44	4.4	3.7	4.4	> 3.7	
	K	52	5.2	–	5.2	> 4.2	
	K	57	5.7	5.2	5.7	> 5.2	
	K	62	6.2	5.2	6.2	> 5.7	
	L	22	2.2	–	2.2	1.3	<sup>2)</sup>
	L	32	3.2	–	3.2	> 2.2	<sup>2)</sup>
	L	37	3.7	–	3.7	> 3.2	<sup>2)</sup>
	L	44	4.4	–	4.3	3.5	<sup>1) 2)</sup>
	L	48	4.8	–	4.8	4.4	<sup>1) 2)</sup>
<b>1S</b>	C	22	2.2	–	2.2	1.4	
	C	32	3.2	–	3.2	> 2.2	
	C	42	4.2	–	4.2	> 3.2	
	C	52	5.2	–	5.2	> 4.2	
	C	57	5.7	5.2	5.7	> 5.2	
	C	62	6.2	5.2	6.2	> 5.7	
	K	72	7.2	–	7.2	> 6.2	
	K	82	8.2	6.7	8.2	> 7.2	
	K	87	8.7	6.7	8.7	> 8.2	

	Reference		Collet ø		Cable ø		Notes
	Type	Code	ø A	ø B	max.	min.	
<b>1S</b>	L	22	2.2	–	2.2	1.2	<sup>2)</sup>
	L	32	3.2	–	3.2	> 2.2	<sup>2)</sup>
	L	42	4.2	–	4.2	> 3.2	<sup>2)</sup>
	L	52	5.2	–	5.2	> 4.2	<sup>2)</sup>
	L	62	6.2	–	6.2	> 5.2	<sup>2)</sup>
	L	66	6.6	–	6.5	5.9	<sup>1) 2)</sup>
<b>2S</b>	C	27	2.7	–	2.7	1.3	
	C	32	3.2	–	3.2	> 2.5	
	C	42	4.2	–	4.2	> 3.2	
	C	52	5.2	–	5.2	> 4.2	
	C	62	6.2	–	6.2	> 5.2	
	C	72	7.2	6.7	7.2	> 6.2	
	C	82	8.2	6.7	8.2	> 7.2	
	C	87	8.7	6.7	8.7	> 8.2	
	K	97	9.7	9.0	9.7	> 8.7	
	K	11	10.5	9.0	10.5	> 9.5	
	L	32	3.2	–	3.2	2.5	<sup>2)</sup>
	L	42	4.2	–	4.2	> 3.2	<sup>2)</sup>
	L	52	5.2	–	5.2	> 4.2	<sup>2)</sup>
	L	62	6.2	–	6.2	> 5.2	<sup>2)</sup>
L	72	7.2	–	7.2	> 6.2	<sup>2)</sup>	
L	82	8.2	–	8.2	> 7.2	<sup>2)</sup>	
L	87	8.7	–	8.7	> 8.2	<sup>1) 2)</sup>	

**Note:** All dimensions are in millimetres.

<sup>1)</sup> these collets cannot be used for connectors models with nut for fitting a bend relief. <sup>2)</sup> these collets cannot be used for elbow connectors. <sup>3)</sup> the inner diameter of the smallest bend relief available is 2.5 mm.

## C, K and L type collets for S series



	Reference		Collet $\varnothing$		Cable $\varnothing$		Notes
	Type	Code	$\varnothing$ A	$\varnothing$ B	max.	min.	
<b>3S</b>	C	42	4.2	7.7	4.2	2.6	
	C	57	5.7	7.7	5.7	4.3	
	C	72	7.2	7.7	7.2	5.8	
	C	87	8.7	8.7	8.7	7.3	
	C	97	9.7	9.0	9.7	8.8	
	C	11	10.5	9.0	10.5	9.8	
	K	12	12.2	–	12.0	11.1	
	K	13	13.2	12.2	13.0	12.1	
	L	42	4.2	–	4.2	2.6	2)
	L	57	5.7	–	5.7	> 4.2	2)
<b>4S</b>	C	52	5.2	–	5.0	4.1	
	C	62	6.2	–	6.0	5.1	
	C	72	7.2	–	7.0	6.1	
	C	82	8.2	–	8.0	7.1	
	C	92	9.2	–	9.0	8.1	
	C	10	10.2	–	10.0	9.1	
	C	11	11.2	–	11.0	10.1	
	L	42	4.2	–	4.2	2.6	2)
	L	57	5.7	–	5.7	> 4.2	2)
	L	72	7.2	–	7.2	> 5.7	2)

	Reference		Collet $\varnothing$		Cable $\varnothing$		Notes
	Type	Code	$\varnothing$ A	$\varnothing$ B	max.	min.	
<b>4S</b>	C	12	12.2	–	12.0	11.1	
	C	13	13.2	12.2	13.0	12.6	
	K	14	14.2	–	14.0	13.1	1)
	K	15	15.2	–	15.0	14.1	1)
	K	16	16.2	–	16.0	15.1	1)
	K	17	17.2	–	17.0	16.1	1)
	K	18	18.2	–	18.0	17.1	1)
	K	19	19.2	–	19.0	18.1	1)
	K	20	20.2	19.7	20.0	19.1	1)
	K	21	21.2	19.7	21.0	20.1	1)
	K	22	22.2	19.7	22.0	21.1	1)
	L	52	5.2	–	5.0	4.1	2)
	L	62	6.2	–	6.0	5.1	2)
	L	72	7.2	–	7.0	6.1	2)
	L	82	8.2	–	8.0	7.1	2)
	L	92	9.2	–	9.0	8.1	2)
	L	10	10.2	–	10.0	9.1	2)
	L	11	11.2	–	11.0	10.1	2)
	L	12	12.2	–	12.0	11.1	2)
	L	13	13.2	–	13.0	12.6	2)

**Note:** All dimensions are in millimetres.

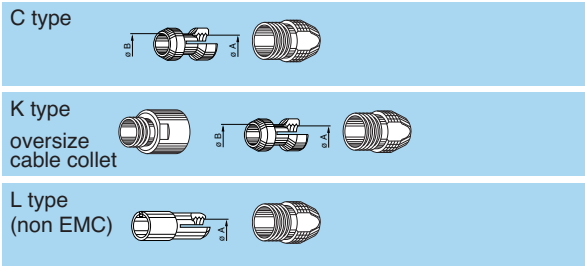
<sup>1)</sup> these collets cannot be used for connectors models with nut for fitting a bend relief.

<sup>2)</sup> these collets cannot be used for elbow connectors.





### C, K and L type collets for S series



	Reference		Collet $\varnothing$		Cable $\varnothing$		Notes
	Type	Code	$\varnothing$ A	$\varnothing$ B	max.	min.	
<b>5S</b>	C	72	7.2	–	7.0	6.1	1)
	C	82	8.2	–	8.0	7.1	1)
	C	92	9.2	–	9.0	8.1	1)
	C	10	10.2	–	10.0	9.1	1)
	C	11	11.2	–	11.0	10.1	1)
	C	12	12.2	–	12.0	11.1	1)
	C	13	13.2	–	13.0	12.1	1)
	C	14	14.2	–	14.0	13.1	1)
	C	15	15.2	–	15.0	14.1	1)
	C	16	16.2	–	16.0	15.1	1)
	C	17	17.2	–	17.0	16.1	1)
	C	18	18.2	–	18.0	17.1	1)
	C	19	19.2	–	19.0	18.1	1)
	C	20	20.2	19.7	20.0	19.1	1)
	C	21	21.2	19.7	21.0	20.1	1)
	C	22	22.2	19.7	22.0	21.1	1)
	K	23	23.2	–	23.0	22.1	1)
	K	24	24.2	–	24.0	23.1	1)
	K	25	25.2	–	25.0	24.1	1)

	Reference		Collet $\varnothing$		Cable $\varnothing$		Notes
	Type	Code	$\varnothing$ A	$\varnothing$ B	max.	min.	
<b>5S</b>	K	26	26.2	–	26.0	25.1	1)
	K	27	27.2	–	27.0	26.1	1)
	K	28	28.2	27.2	28.0	27.1	1)
	K	29	29.2	27.2	29.0	28.1	1)
	K	30	30.2	27.2	30.0	29.1	1)
	L	92	9.2	–	9.0	8.1	1) 2)
	L	10	10.2	–	10.0	9.1	1) 2)
	L	11	11.2	–	11.0	10.1	1) 2)
	L	12	12.2	–	12.0	11.1	1) 2)
	L	13	13.2	–	13.0	12.1	1) 2)
	L	14	14.2	–	14.0	13.1	1) 2)
	L	15	15.2	–	15.0	14.1	1) 2)
	L	16	16.2	–	16.0	15.1	1) 2)
	L	17	17.2	–	17.0	16.1	1) 2)
	L	18	18.2	–	18.0	17.1	1) 2)
	L	19	19.2	–	19.0	18.1	1) 2)
	L	20	20.2	–	20.0	19.1	1) 2)
	L	21	21.2	–	21.0	20.1	1) 2)

**Note:** All dimensions are in millimetres.  
 The 5S.112 is only available with L type of collet.  
 1) these collets cannot be used for connectors models with nut for fitting a bend relief.  
 2) these collets cannot be used for elbow connectors.

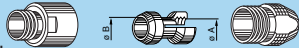
## C, K and L type collets for S series

C type



K type

oversize  
cable collet



L type

(non EMC)



Reference	Collet ø		Cable ø		Notes			
	Type	Code	ø A	ø B		max.	min.	
<b>6S</b>	C	12	12.2	–	12.0	11.1	1)	
	C	13	13.2	–	13.0	12.1	1)	
	C	14	14.2	–	14.0	13.1	1)	
	C	15	15.2	–	15.0	14.1	1)	
	C	16	16.2	–	16.0	15.1	1)	
	C	17	17.2	–	17.0	16.1	1)	
	C	18	18.2	–	18.0	17.1	1)	
	C	19	19.2	–	19.0	18.1	1)	
	C	20	20.2	–	20.0	19.1	1)	
	C	21	21.2	–	21.0	20.1	1)	
	C	22	22.2	–	22.0	21.1	1)	
	C	23	23.2	–	23.0	22.1	1)	
	C	24	24.2	–	24.0	23.1	1)	
	C	25	25.2	–	25.0	24.1	1)	
	C	26	26.2	–	26.0	25.1	1)	
	C	27	27.2	–	27.0	26.1	1)	
	C	28	28.2	27.2	–	28.0	27.1	1)
	C	29	29.2	27.2	–	29.0	28.1	1)
	C	30	30.2	27.2	–	30.0	29.1	1)

Reference	Collet ø		Cable ø		Notes		
	Type	Code	ø A	ø B		max.	min.
<b>6S</b>	L	12	12.2	–	12.0	11.1	1) 2)
	L	13	13.2	–	13.0	12.1	1) 2)
	L	14	14.2	–	14.0	13.1	1) 2)
	L	15	15.2	–	15.0	14.1	1) 2)
	L	16	16.2	–	16.0	15.1	1) 2)
	L	17	17.2	–	17.0	16.1	1) 2)
	L	18	18.2	–	18.0	17.1	1) 2)
	L	19	19.2	–	19.0	18.1	1) 2)
	L	20	20.2	–	20.0	19.1	1) 2)
	L	21	21.2	–	21.0	20.1	1) 2)
	L	22	22.2	–	22.0	21.1	1) 2)
	L	23	23.2	–	23.0	22.1	1) 2)
	L	24	24.2	–	24.0	23.1	1) 2)
	L	25	25.2	–	25.0	24.1	1) 2)
	L	26	26.2	–	26.0	25.1	1) 2)
	L	27	27.2	–	27.0	26.1	1) 2)
	L	28	28.2	–	28.0	27.1	1) 2)
	L	29	29.2	–	29.0	28.1	1) 2)
	L	30	30.2	–	30.0	29.1	1) 2)

**Note:** All dimensions are in millimetres.

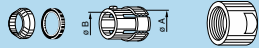
1) these collets cannot be used for connectors models with nut for fitting a bend relief.

2) these collets cannot be used for elbow connectors..



## C and K type collets for E series

C type



K type  
oversize  
cable collet



	Reference		Collet $\varnothing$		Cable $\varnothing$		Notes	
	Type	Code	$\varnothing$ A	$\varnothing$ B	max.	min.		
<b>0E</b>	C	10	1.6	–	1.2	1.0	1)	
	C	15	1.6	–	1.5	1.3	1)	
	C	20	2.1	–	2.0	1.6	1)	
	C	25	3.1	–	2.5	2.1		
	C	30	3.1	–	3.0	2.6		
	C	35	4.2	4.2	3.5	3.1		
	C	40	4.2	4.2	4.0	3.6		
	C	45	5.2	5.2	4.5	4.1		
	C	50	5.2	5.2	5.0	4.6		
	<b>1E</b>	C	15	1.6	–	1.5	1.3	
C		20	2.2	–	2.0	1.6		
C		25	3.2	–	2.5	2.1		
C		30	3.2	–	3.0	2.6		
C		35	4.2	–	3.5	3.1		
C		40	4.2	–	4.0	3.6		
C		45	5.2	–	4.5	4.1		
C		50	5.2	–	5.0	4.6		
C		55	6.2	6.2	5.5	5.1		
C		60	6.2	6.2	6.0	5.6		
C		65	7.2	6.7	6.5	6.1		
K		70	7.2	–	7.0	6.6	3)	
K		75	8.2	8.2	7.5	7.1	3)	
K		80	8.2	8.2	8.0	7.6	3)	
K		85	9.2	8.6	8.5	8.1	3)	
<b>2E</b>		C	15	2.2	–	1.5	1.3	
		C	20	2.2	–	2.0	1.6	
		C	25	3.2	–	2.5	2.1	
	C	30	3.2	–	3.0	2.6		
	C	35	4.2	–	3.5	3.1		
	C	40	4.2	–	4.0	3.6		
	C	45	5.2	–	4.5	4.1		
	C	50	5.2	–	5.0	4.6		
	C	55	6.2	–	5.5	5.1		
	C	60	6.2	–	6.0	5.6		
	C	65	7.2	–	6.5	6.1		
	C	70	7.2	–	7.0	6.6		
	C	75	8.2	–	7.5	7.1		
	C	80	8.2	–	8.0	7.6		

	Reference		Collet $\varnothing$		Cable $\varnothing$		Notes	
	Type	Code	$\varnothing$ A	$\varnothing$ B	max.	min.		
<b>2E</b>	C	70	7.2	–	7.0	6.6		
	C	75	8.2	8.2	7.5	7.1		
	C	80	8.2	8.2	8.0	7.6		
	C	85	9.2	8.6	8.5	8.1		
	K	90	9.2	–	9.0	8.6	4)	
	K	95	10.2	10.2	9.5	9.1	4)	
	K	10	10.2	10.2	10.0	9.6	4)	
	K	11	11.2	10.6	10.5	10.1	4)	
	<b>3E</b>	C	30	3.2	–	3.0	2.6	
		C	35	4.2	–	3.5	3.1	
C		40	4.2	–	4.0	3.6		
C		45	5.2	–	4.5	4.1		
C		50	5.2	–	5.0	4.6		
C		55	6.2	–	5.5	5.1		
C		60	6.2	–	6.0	5.6		
C		65	7.2	–	6.5	6.1		
C		70	7.2	–	7.0	6.6		
C		75	8.2	–	7.5	7.1		
C		80	8.2	–	8.0	7.6		
C		85	9.2	–	8.5	8.1		
C		90	9.2	–	9.0	8.6		
C		95	10.2	10.2	9.5	9.1		
C		10	10.2	10.2	10.0	9.6		
C	11	11.2	10.6	10.5	10.1			
K	11	12.3	–	12.0	10.6	5)		
K	12	13.8	13.8	12.8	12.1	5)		
K	13	13.8	13.8	13.5	12.9	5)		
K	14	15.3	15.3	14.0	13.6	5)		
K	15	15.3	15.3	15.0	14.1	2)		

**Note:** all dimensions are in millimetres.

1) the inner diameter of the smallest bend relief available is 2.5 mm.

2) the inner diameter of the largest bend relief available is 14.5 mm.

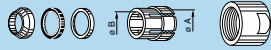
3) for 2B bend relief.

4) for 3B bend relief.

5) for 4B bend relief.

## C and K type collets for E series

C type



K type

oversize  
cable collet



	Reference		Collet $\varnothing$		Cable $\varnothing$		Notes
	Type	Code	$\varnothing$ A	$\varnothing$ B	max.	min.	
<b>4E</b>	C	50	6.3	–	5.0	4.8	
	C	55	6.3	–	5.5	5.1	
	C	60	6.3	–	6.0	5.6	
	C	65	7.3	–	6.5	6.1	
	C	70	7.3	–	7.0	6.6	
	C	75	8.3	–	7.5	7.1	
	C	80	8.3	–	8.0	7.6	
	C	85	9.3	–	8.5	8.1	
	C	90	9.3	–	9.0	8.6	
	C	95	10.8	–	9.5	9.1	
	C	10	10.8	–	10.5	9.6	
	C	11	12.3	–	12.0	10.6	
	C	12	13.8	13.8	12.8	12.1	
	C	13	13.8	13.8	13.5	12.9	
	C	14	15.3	15.3	14.0	13.6	
	C	15	15.3	15.3	15.0	14.1	2)
	K	16	17.8	–	16.5	15.6	1)
	K	17	17.8	–	17.5	16.6	1)
	K	18	19.8	–	18.5	17.6	1)
	K	19	19.8	–	19.5	18.6	1)
	K	20	21.8	–	20.5	19.6	1)
	K	21	21.8	–	21.5	20.6	1)
	K	22	23.8	23.8	22.5	21.6	1)
K	23	23.8	23.8	23.5	22.6	1)	

	Reference		Collet $\varnothing$		Cable $\varnothing$		Notes
	Type	Code	$\varnothing$ A	$\varnothing$ B	max.	min.	
<b>5E</b>	C	10	11.8	–	10.5	9.6	
	C	11	11.8	–	11.5	10.6	
	C	12	13.8	–	12.5	11.6	
	C	13	13.8	–	13.5	12.6	
	C	14	15.8	–	14.5	13.6	
	C	15	15.8	–	15.5	14.6	1)
	C	16	17.8	–	16.5	15.6	1)
	C	17	17.8	–	17.5	16.6	1)
	C	18	19.8	–	18.5	17.6	1)
	C	19	19.8	–	19.5	18.6	1)
	C	20	21.8	–	20.5	19.6	1)
	C	21	21.8	–	21.5	20.6	1)
	C	22	23.8	23.8	22.5	21.6	1)
C	23	23.8	23.8	23.5	22.6	1)	
<b>6E</b>	C	14	14.2	–	14.0	13.0	1)
	C	15	15.2	–	15.0	14.1	1)
	C	16	15.7	–	15.5	14.6	1)
	C	17	16.7	–	16.5	15.6	1)
	C	18	18.2	–	18.0	17.1	1)
	C	21	23.2	–	21.5	20.6	1)
	C	22	23.2	–	22.0	21.1	1)
	C	23	23.2	–	23.0	22.1	1)
	C	27	27.2	–	27.0	26.1	1)
	L	30	30.2	–	30.0	29.5	1)

**Note:** all dimensions are in millimetres.

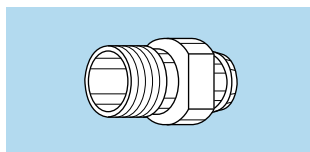
<sup>1)</sup> these collets cannot be used for connector models with nut for fitting a bend relief. No bend relief available for this cable size.

<sup>2)</sup> the inner diameter of the largest bend relief available is 14.5 mm.

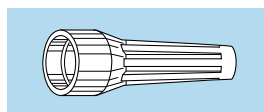


## Variant (S and E series)

### Bend relief for S series models with collet

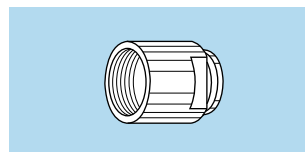


#### Need to be ordered

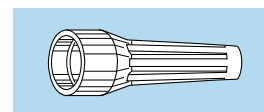


	Ref.	Collet		Need to be ordered separately (see pages 145 and 146)
		Type	Code	
<b>00</b>	<b>z</b>	C	17 to 31	GMA.00.0..D●
		K	37 to 42	GMA.0B.0..D●
		L	27 to 31	GMA.00.0..D●
<b>0S</b>	<b>z</b>	C	32 to 44	GMA.0B.0..D●
		K	52 to 62	GMA.1B.0..D●
		L	32 to 48	GMA.0B.0..D●
<b>1S</b>	<b>z</b>	C	32 to 62	GMA.1B.0..D●
		K	72 to 87	GMA.2B.0..D●
		L	32 to 66	GMA.1B.0..D●
<b>2S</b>	<b>z</b>	C	42 to 87	GMA.2B.0..D●
		K	97 to 11	GMA.3B.0..D●
		L	42 to 87	GMA.2B.0..D●
<b>3S</b>	<b>z</b>	C	57 to 97	GMA.3B.0..D●
		K	12 to 13	GMA.4B.0..D●
		L	57 to 97	GMA.3B.0..D●
<b>4S</b>	<b>z</b>	C	82 to 13	GMA.4B.0..D●
		L	82 to 13	GMA.4B.0..D●

### Bend relief for E series models with collet



#### Need to be ordered



	Ref.	Collet		Need to be ordered separately (see pages 145 and 146)
		Type	Code	
<b>0E</b>	<b>z</b>	C	10 to 50	GMA.0B.●●●●●
<b>1E</b>	<b>z</b>	C	15 to 65	GMA.1B.●●●●●
		K	70 to 85	GMA.2B.●●●●●
<b>2E</b>	<b>z</b>	C	15 to 85	GMA.2B.●●●●●
		K	90 to 10	GMA.3B.●●●●●
<b>3E</b>	<b>z</b>	C	30 to 10	GMA.3B.●●●●●
		K	11 to 15 <sup>1)</sup>	GMA.4B.●●●●●
<b>4E</b>	<b>z</b>	C	50 to 15 <sup>2)</sup>	GMA.4B.●●●●●
<b>5E</b>	<b>z</b>	C	10 to 14	GMA.4B.●●●●●

**Note:** all dimensions are in millimetres.

<sup>1)</sup> for K15 see page 119.

<sup>2)</sup> for C15 see page 120.

### Colour of connectors shell made of plastic material and aluminium alloys

Ref.	Colour	Plastic shell			Aluminium alloys	
		PSU	PPSU	PA.6	Anodized colour	Anodized colour for bend relief collet nut
<b>A</b>	blue			●	●	
<b>B</b>	white	●		●		
<b>G</b>	grey	●		●		
<b>J</b>	yellow			●	●	
<b>M</b>	brown			●		
<b>N</b>	black			●	●	
<b>R</b>	red			●	●	
<b>S</b>	orange			●		
<b>T</b>	natural				●	
<b>V</b>	green			●	●	
<b>L</b>	black					●
<b>X</b>	natural					●
<b>F</b>	cream		●			

**Note:** other anodizing colours are available for connectors with collet nut for bend relief. Please consult us.

### Watertight and vacuumtight socket and coupler models (S and E series)

	Reference		Model
	Watertight	Vacuumtight	
<b>S</b>	<b>P</b>	<b>PV</b>	EWB, HCP, HGP, HGW, SWH
<b>E</b>	<b>P</b>	<b>PV</b>	EBR, HGP, SWH

### O-ring and gasket material (E series)

Standard connectors are delivered with silicone o-ring and gaskets. The vacuumtight models, identified with the letter «PV», are delivered with Viton® gaskets. Other gaskets material can be delivered upon special request.

Ref.	O-ring material
<b>H</b>	FPM (Viton®)
<b>E</b>	EPDM
<b>D</b>	FPM (Viton®) and collet nut for bend relief

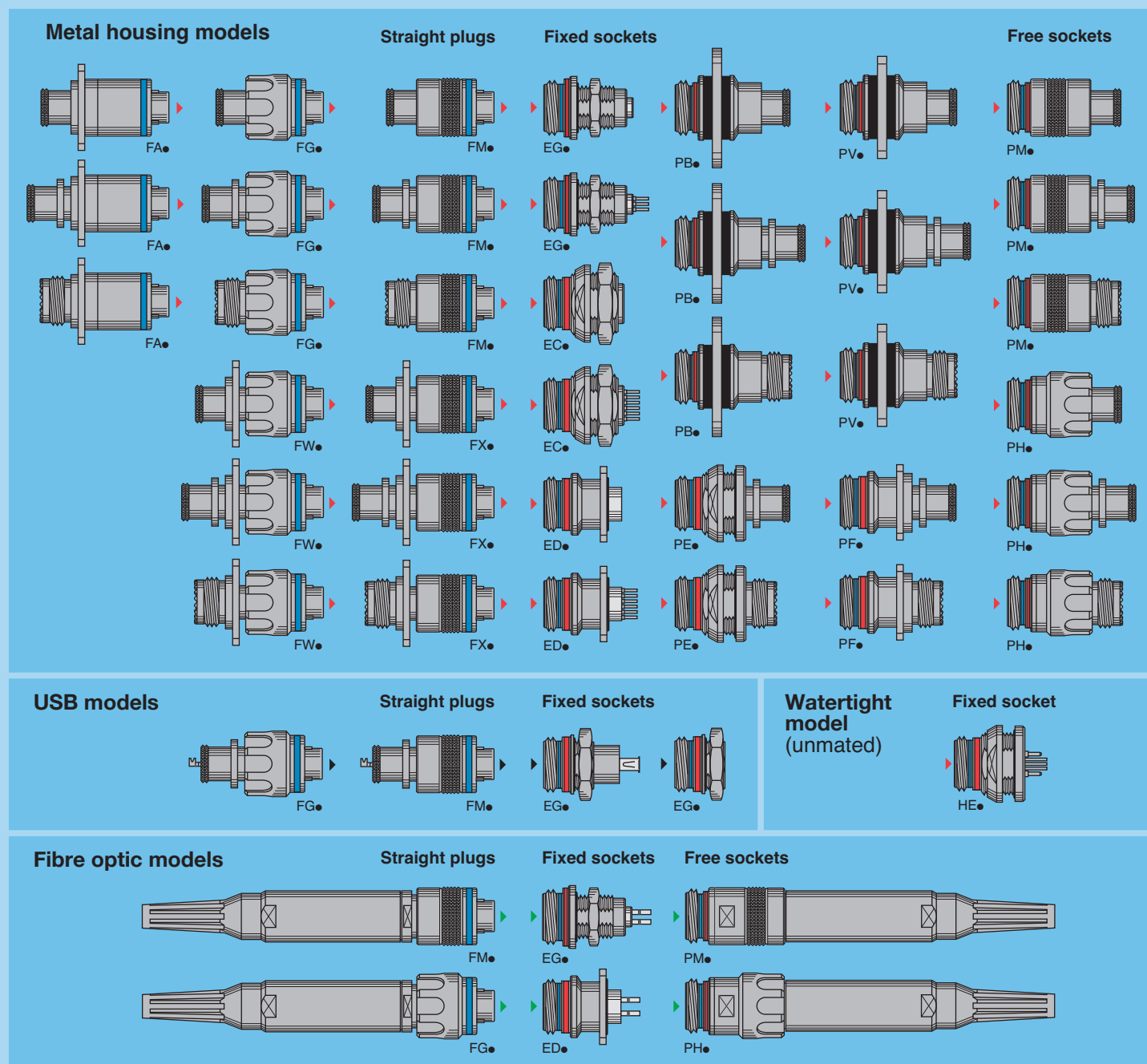
# M Series

The M Series connector offers a new innovative design for avionics, aerospace, military, security, motorsport and heavy duty applications.

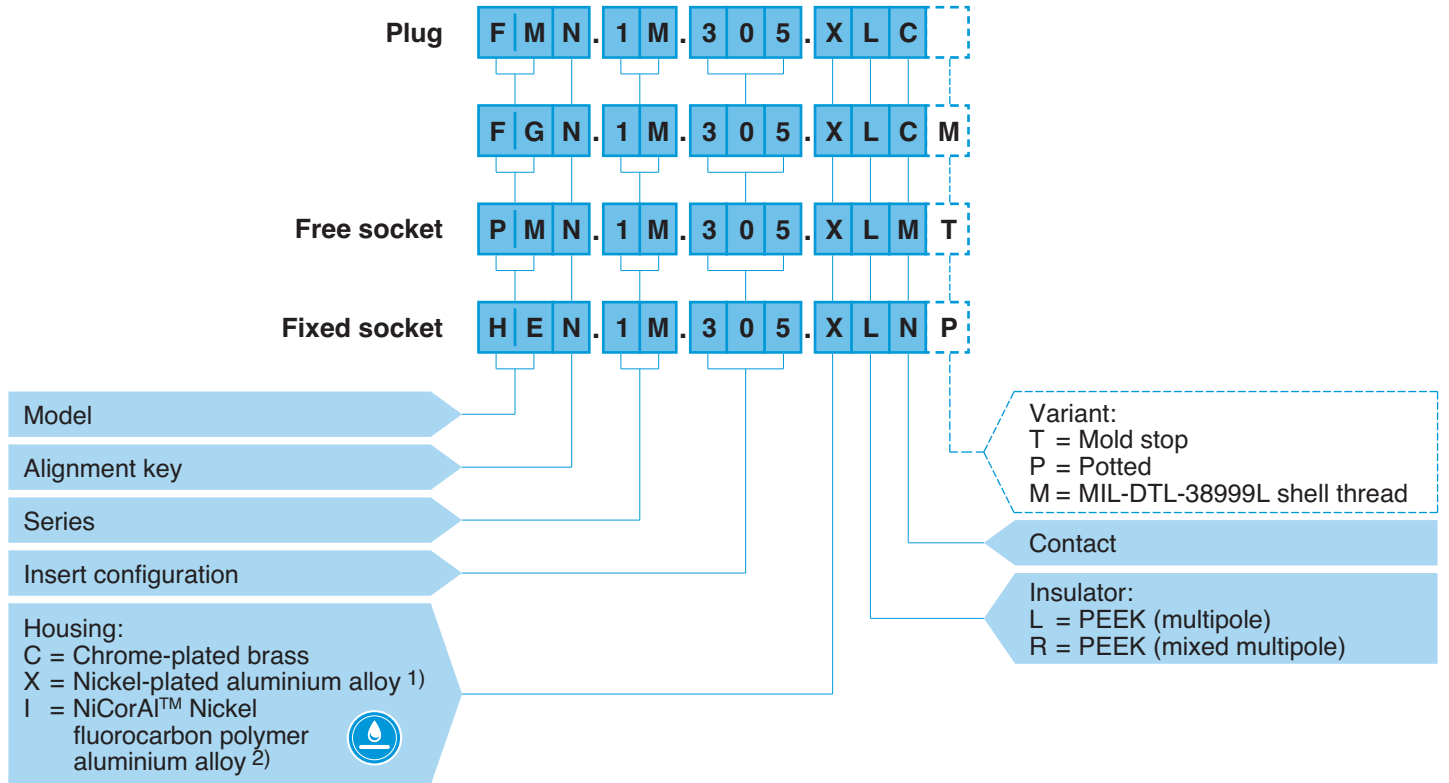
Made of high-strength aluminium, this connector is one of the lightest and most compact of the LEMO product line. A one-grip ratchet screw system enables quick and secure coupling of the connectors. The arctic grip makes it easy to manipulate the connector while wearing gloves or when the connector is located in a difficult to access area.

## Features

- Ratchet-coupling mechanism
- Compact design for space savings
- Oil and fuel resistant
- 360° screening for full EMC shielding
- Colour coding / keying
- Scoop proof
- Threaded for MIL-DTL-38999L backshell
- Quick mating: less than 3/4 turn to seat
- Lightweight
- High vibration and shock resistance
- Sealed to IP68 when mated
- Reverse gender configuration
- Pin configuration from 2 to 114 contacts



## Part Numbering System



**FMN.1M.305.XLC** = straight plug with key (N), 1M series, multipole type with 5 contacts, outer shell in anthracite nickel-plated aluminium alloy, PEEK insulator, male crimp contacts

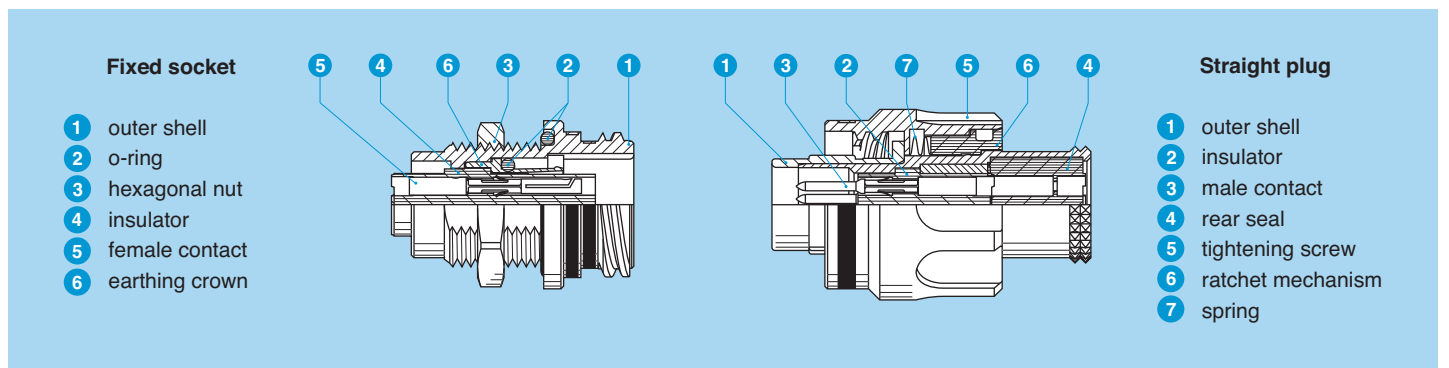
**FGN.1M.305.XLCM** = straight plug with key (N), arctic grip, 1M series, multipole type with 5 contacts, outer shell in anthracite nickel-plated aluminium alloy, PEEK insulator, male crimp contacts and with MIL-DTL-38999L thread for additional backshell (not supplied).

**PMN.1M.305.XLMT** = free socket with key (N), 1M series, multipole type with 5 contacts, outer shell in anthracite nickel-plated aluminium alloy, PEEK insulator, female crimp contacts and mold stop.

**HEN.1M.305.XLNP** = fixed socket, nut fixing, with key (N), 1M series, multipole type with 5 contacts, outer shell in anthracite nickel-plated aluminium alloy, PEEK insulator, female print contacts, watertight.

**Note:** 1) anthracite colour / 48 hours salt fog resistance. 2) anthracite colour / 500 hours salt fog resistance RoHS 2/REACH.

## Part Section Showing Internal Components



More informations on: [https://www.lemo.com/catalog/ROW/UK\\_English/M\\_series.pdf](https://www.lemo.com/catalog/ROW/UK_English/M_series.pdf)





# F Series

The F series connectors have been specially developed to meet the most demanding requirements in terms of dimensions, weight and watertightness. Our manufacturing programme includes now 8 series. This series provides customers with many features and benefits including:

- push-pull self-latching system for safe connection
- sealed to IP67 for environmental protection when mated according to IEC 60529
- compact scoop-proof design and use of aluminium alloy
- high shock and vibration resistance
- multipole types with 2 to 68 contacts or multifibre optic or mixed FO + LV in 2F series
- crimp or print contacts (straight or elbow)
- keys ensuring ease of blind mating
- colour coded key options for system security.

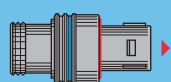
The F series connectors are available in 3 different materials:

- for high shock and vibration resistance, LEMO recommends using Y code material (with beryllium copper latch sleeve).
- for environmental resistance and latching cycle endurance, LEMO recommends using the C code material (brass outershell).
- for lightweight and latching cycle endurance, LEMO recommends using X code material (aluminium shell).
- for lightweight and salt spray corrosion resistance, LEMO recommends using I code material (aluminium shell).

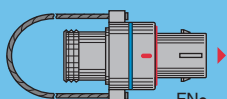
Each series includes several models of plugs and sockets available in contact configurations adapted to all round cables, including up to 68 conductors, and a maximum diameter of 34 mm. Since LEMO connectors are perfectly screened and designed to guarantee very low resistance to shell electrical continuity, they are particularly adapted to applications where electromagnetic compatibility (EMC) is important. A large number of accessories as well as tooling for cable assembly are available.

## Metal housing models

### Straight plugs

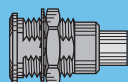


FG●



FN●

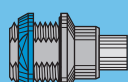
### Fixed sockets



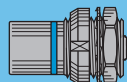
EG●



EE●



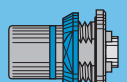
EF●



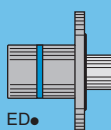
EC●



EC●

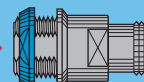


EH●



ED●

### Fixed sockets



PE●



PB●

### Free socket



PH●

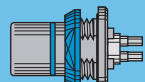
## Models for fibre optic

### Straight plug



FG●

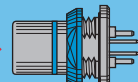
### Fixed socket



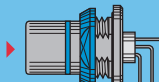
EH●

## Watertight models

### Fixed sockets

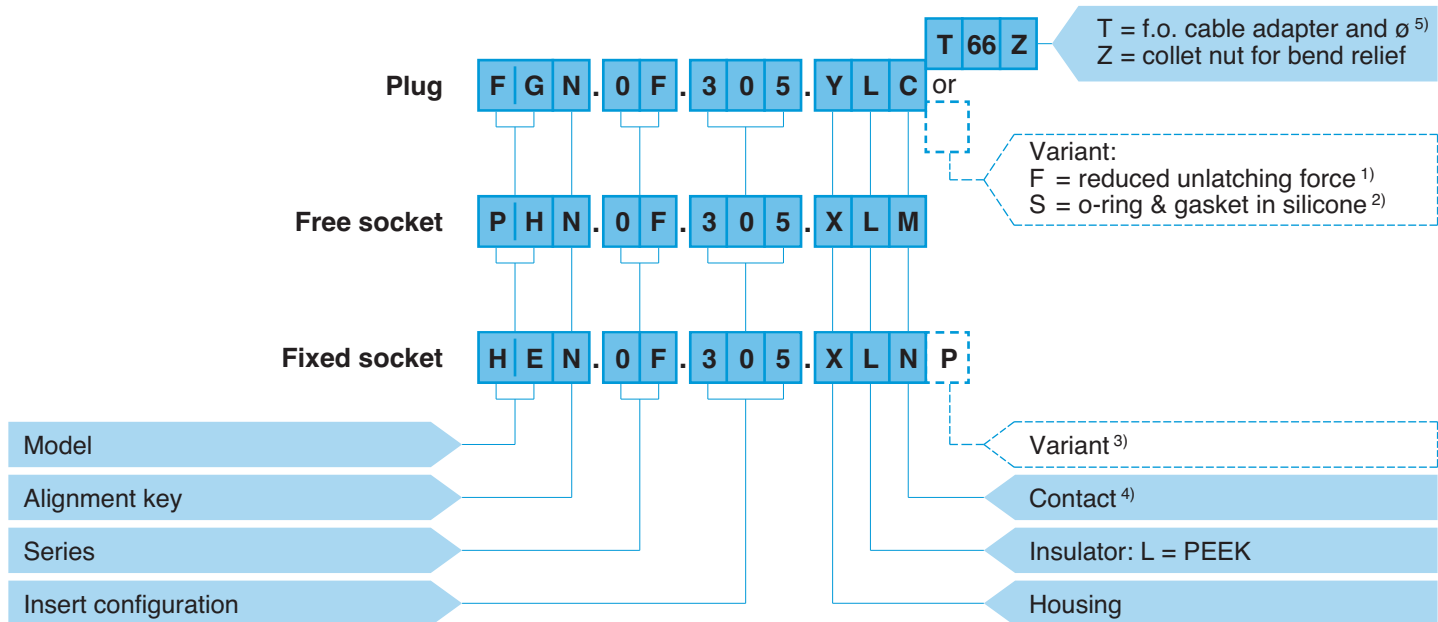


HE●



HE●

## Part Numbering System



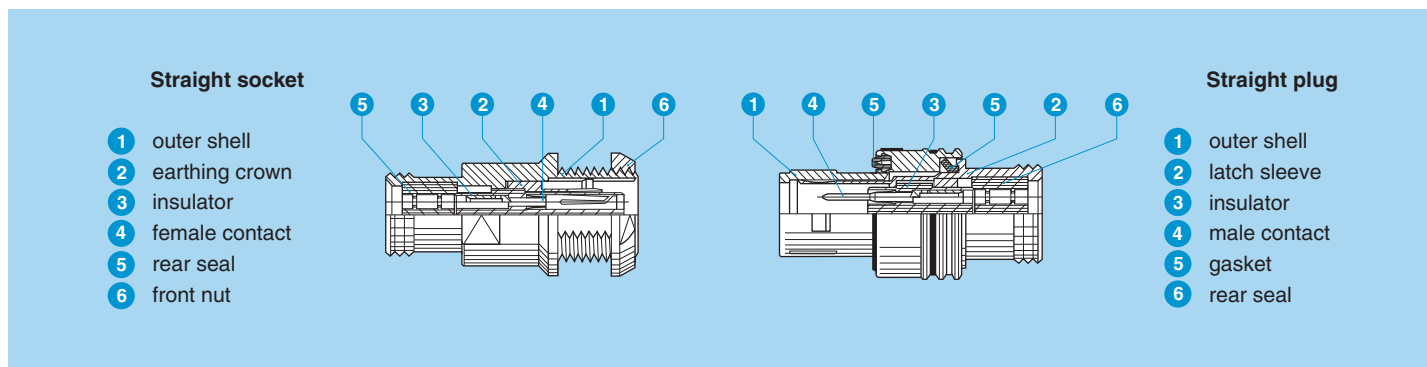
**FGN.0F.305.YLC** = straight plug with key (N), 0F series, multipole type with 5 contacts, outer shell in anthracite nickel-plated aluminium alloy, beryllium copper latch sleeve, PEEK insulator, male crimp contacts.

**PHN.0F.305.XLM** = free socket with key (N), 0F series, multipole type with 5 contacts, outer shell in anthracite nickel-plated aluminium alloy, PEEK insulator, female crimp contacts.

**HEN.0F.305.XLNP** = fixed socket, nut fixing, with key (N), 0F series, multipole type with 5 contacts, outer shell in anthracite nickel-plated aluminium alloy, PEEK insulator, female print contacts, watertight.

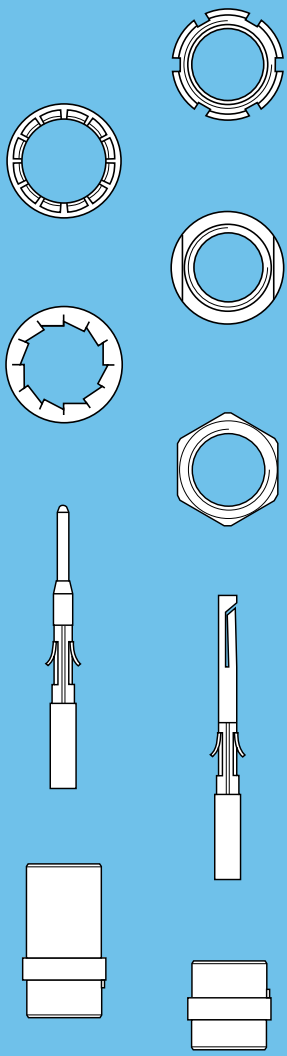
**Note:** <sup>1)</sup> for straight plug only. <sup>2)</sup> with shell material code X or Y. <sup>3)</sup> potting for HE● only. <sup>4)</sup> HE● available only with print contacts (straight or elbow).  
<sup>5)</sup> connectors for fibre-optic are delivered without the fibre optic contacts, they must be ordered separately.

## Part Section Showing Internal Components



More informations on: [https://www.lemo.com/catalog/ROW/UK\\_English/f\\_series.pdf](https://www.lemo.com/catalog/ROW/UK_English/f_series.pdf)





**SPARE PARTS**

## Spare parts for crimp contacts

	Types	Insulator part number		ø (mm)		Fib.	Cond. AWG		Contact part number		
		Male contact	Female contact	A	C		min.	max.	Male	Female	
<b>00 TT</b>	<b>302/303/304</b>	FGG.00.30●.YL	EGG.00.40●.YL	0.5	0.45	1	32	28	FGG.00.554.ZZC	EGG.00.654.ZZM	
<b>0B OK OT</b>	<b>302/303</b>	FGG.0B.30●.YL	EGG.0B.40●.YL	0.9		1.10	1	24	20	FGG.0B.560.ZZC	EGG.0B.660.ZZM
						0.80	2	26	22	FGG.0B.561.ZZC	EGG.0B.661.ZZM
						0.45	2	32	28	FGG.0B.562.ZZC	EGG.0B.662.ZZM
	<b>304/305</b>	FGG.0B.30●.YL	EGG.0B.40●.YL	0.7		0.80	1	26	22	FGG.0B.555.ZZC	EGG.0B.655.ZZM
					0.45	2	32	28	FGG.0B.556.ZZC	EGG.0B.656.ZZM	
	<b>306/307/309</b>	FGG.0B.30●.YL	–	0.5	0.45	1	32	28	FGG.0B.554.ZZC	–	
<b>0S</b>	<b>302</b>	–	–	0.9		1.10	1	24	20	FGG.0B.560.ZZC	EGG.0B.660.ZZM
						0.80	2	26	22	FGG.0B.561.ZZC	EGG.0B.661.ZZM
						0.45	2	32	28	FGG.0B.562.ZZC	EGG.0B.662.ZZM
	<b>304</b>	–	–	0.7		0.80	1	26	22	FGG.0B.555.ZZC	EGG.0B.655.ZZM
					0.45	2	32	28	FGG.0B.556.ZZC	EGG.0B.656.ZZM	
<b>1B 1K 1T</b>	<b>302/303</b>	FGG.1B.30●.YL	EGG.1B.40●.YL	1.3		1.40	1	20	18	FGG.1B.565.ZZC	EGG.1B.665.ZZM
						1.10	2	24	20	FGG.1B.566.ZZC	EGG.1B.666.ZZM
	<b>304/305</b>	FGG.1B.30●.YL	EGG.1B.40●.YL	0.9		1.10	1	24	20	FGG.1B.560.ZZC	EGG.1B.660.ZZM
						0.80	2	26	22	FGG.1B.561.ZZC	EGG.1B.661.ZZM
	<b>306/307/308</b>	FGG.1B.30●.YL	EGG.1B.40●.YL	0.7		0.80	1	26	22	FGG.1B.555.ZZC	EGG.1B.655.ZZM
					0.45	2	32	28	FGG.1B.556.ZZC	EGG.1B.656.ZZM	
	<b>310/314/316</b>	FGG.1B.3●●.YL	–	0.5	0.45	1	32	28	FGG.1B.554.ZZC	–	
<b>1S</b>	<b>302</b>	–	–	1.3		1.40	1	20	18	FGG.1B.565.ZZC	EGG.1B.665.ZZM
						1.10	2	24	20	FGG.1B.566.ZZC	EGG.1B.666.ZZM
	<b>304</b>	–	–	0.9		1.10	1	24	20	FGG.1B.560.ZZC	EGG.1B.660.ZZM
					0.80	2	26	22	FGG.1B.561.ZZC	EGG.1B.661.ZZM	
<b>2B 2K 2T</b>	<b>302</b>	FGG.2B.302.YL	EGG.2B.402.YL	2.0		2.40	1	16	12	FGG.2B.575.ZZC	EGG.2B.675.ZZM
						1.90	2	18	14	FGG.2B.576.ZZC	EGG.2B.676.ZZM
	<b>303</b>	FGG.2B.303.YL	EGG.2B.403.YL	1.6		1.90	1	18	14	FGG.2B.570.ZZC	EGG.2B.670.ZZM
						1.40	2	22	18	FGG.2B.571.ZZC	EGG.2B.671.ZZM
	<b>304/305 306/307</b>	FGG.2B.30●.YL	EGG.2B.40●.YL	1.3		1.40	1	20	18	FGG.2B.565.ZZC	EGG.2B.665.ZZM
						1.10	2	24	20	FGG.2B.566.ZZC	EGG.2B.666.ZZM
						0.80	2	26	22	FGG.2B.567.ZZC	EGG.2B.667.ZZM
	<b>308/310</b>	FGG.2B.3●●.YL	EGG.2B.4●●.YL	0.9		1.10	1	24	20	FGG.2B.560.ZZC	EGG.2B.660.ZZM
						0.80	2	26	22	FGG.2B.561.ZZC	EGG.2B.661.ZZM
						0.45	2	32	28	FGG.2B.562.ZZC	EGG.2B.662.ZZM
<b>312/314/316 318/319</b>	FGG.2B.3●●.YL	EGG.2B.4●●.YL	0.7		0.80	1	26	22	FGG.2B.555.ZZC	EGG.2B.655.ZZM	
					0.45	2	32	28	FGG.2B.556.ZZC	EGG.2B.656.ZZM	

## Tools for crimp contacts

	Types	Positioners part number <sup>3)</sup>		Extractors part number for male/female contacts
		Male contact	Female contact	
<b>00 TT</b>	<b>302/303/304</b>	DCE.91.050.0VC	DCE.91.050.0VM	DCF.91.050.2LT
<b>0B OK OT</b>	<b>302/303</b>	DCE.91.090.BVC	DCE.91.090.BVM	DCF.91.090.2LT
		DCE.91.090.AVC	DCE.91.090.AVM	
	<b>304/305</b>	DCE.91.070.BVC	DCE.91.070.BVM	DCF.92.070.3LT
	<b>306/307/309</b>	DCE.91.050.BVC	DCE.91.050.BVM	DCF.91.050.2LT
<b>0S</b>	<b>302</b>	DCE.91.090.BVC	DCE.91.090.BVM	-
		DCE.91.090.AVC	DCE.91.090.AVM	
	<b>304</b>	DCE.91.070.BVC	DCE.91.070.BVM	-
<b>1B 1K 1T</b>	<b>302/303</b>	DCE.91.131.BVC	DCE.91.131.BVM	DCF.91.131.2LT
	<b>304/305</b>	DCE.91.091.BVC	DCE.91.091.BVM	DCF.91.090.2LT
	<b>306/307/308</b>	DCE.91.071.BVC	DCE.91.071.BVM	DCF.91.070.2LT
	<b>310/314/316</b>	DCE.91.051.BVC	DCE.91.051.BVM	DCF.91.050.2LT
<b>1S</b>	<b>302</b>	DCE.91.131.BVC	DCE.91.131.BVM	-
	<b>304</b>	DCE.91.091.BVC	DCE.91.091.BVM	-
<b>2B 2K 2T</b>	<b>302</b>	DCE.91.202.BVCM		DCC.91.202.5LA <sup>1)</sup>
	<b>303</b>	DCE.91.162.BVCM		DCF.91.162.2LT
	<b>304/305 306/307</b>	DCE.91.132.BVC	DCE.91.132.BVM	DCF.91.131.2LT
		DCE.91.132.CVC	DCE.91.132.CVM	
	<b>308/310</b>	DCE.91.092.BVC	DCE.91.092.BVM	DCF.91.090.2LT
		DCE.91.092.AVC	DCE.91.092.AVM	
	<b>312/314/316 318/319</b>	DCE.91.072.BVC	DCE.91.072.BVM	DCF.91.070.2LT <sup>2)</sup>

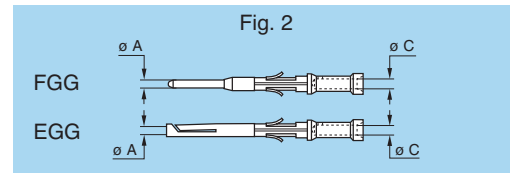
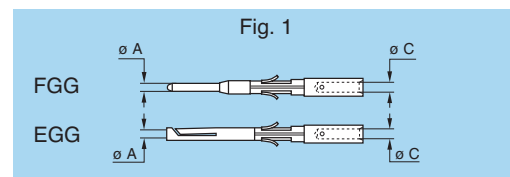
**Note:**

<sup>1)</sup> this model is thumb-operated.

<sup>2)</sup> for inverted contacts, please use DCF.92.070.3LT instead.

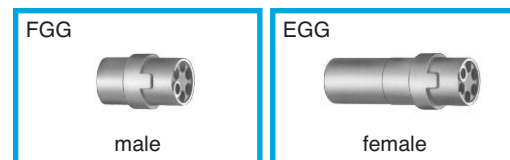
<sup>3)</sup> please consult page 132 for the corresponding crimping tools.

### FGG-EGG Crimp contacts



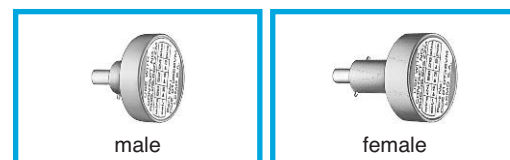
**Note:** a wide variation of strand number and diameter combinations are quoted as being AWG, some of which do not have a large enough cross section to guarantee a crimp as per either MIL-C-22520/1-01 or /7-01.

### FGG-EGG Insulators



**Note:** each insulator can be used both for crimp contacts of normal shape (fig. 1) or with reduced crimp barrel (fig. 2).

### DCE Positioners ø 0.5-0.7-0.9-1.3 mm <sup>3)</sup>



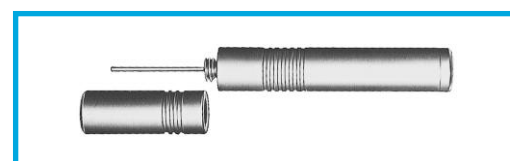
These positioners are suitable for use with both manual and pneumatic crimping tools according to the MIL-C-22520/7-01 standard.

### DCE Turret for ø 1.6-2.0-3.0-4.0 mm <sup>3)</sup>



**Note:** these turrets can be used with manual crimping tool according to MIL-C-22520/1-01 standard.

### DCF Automatic extraction tools



**Note:** (not valid for FA● and FW● models)

## Spare parts for crimp contacts

	Types	Insulator part number		ø (mm)		Fib.	Cond. AWG		Contact part number	
		Male contact	Female contact	A	C		min.	max.	Male	Female
<b>2S</b>	306	-	-	1.3	1.40	1	20	18	FGG.2B.565.ZZC	EGG.2B.665.ZZM
					1.10	2	24	20	FGG.2B.566.ZZC	EGG.2B.666.ZZM
					0.80	2	26	22	FGG.2B.567.ZZC	EGG.2B.667.ZZM
<b>3B 3K 3T</b>	302	FGG.3B.302.YL	EGG.3B.402.YL	3.0	3.20	1	14	10	FGG.3B.580.ZZC	EGG.3B.680.ZZM
	303/304/309	FGG.3B.30●.YL <sup>1)</sup>	EGG.3B.40●.YL <sup>1)</sup>	2.0	2.40	1	16	12	FGG.3B.575.ZZC	EGG.3B.675.ZZM
					1.90	2	18	14	FGG.3B.576.ZZC	EGG.3B.676.ZZM
	305/306/307	FGG.3B.30●.YL	EGG.3B.40●.YL	1.6	1.90	1	18	14	FGG.3B.570.ZZC	EGG.3B.670.ZZM
					1.40	2	22	18	FGG.3B.571.ZZC	EGG.3B.671.ZZM
	308/309/310	FGG.3B.3●●.YL <sup>1)</sup>	EGG.3B.4●●.YL <sup>1)</sup>	1.3	1.40	1	20	18	FGG.3B.565.ZZC	EGG.3B.665.ZZM
					1.10	2	24	20	FGG.3B.566.ZZC	EGG.3B.666.ZZM
	312/314 316/318	FGG.3B.3●●.YL	EGG.3B.4●●.YL	0.9	1.10	1	24	20	FGG.3B.560.ZZC	EGG.3B.660.ZZM
					0.80	2	26	22	FGG.3B.561.ZZC	EGG.3B.661.ZZM
					0.45	2	32	28	FGG.3B.562.ZZC	EGG.3B.662.ZZM
320/322/324 326/330	FGG.3B.3●●.YL	EGG.3B.4●●.YL	0.7	0.80	1	26	22	FGG.3B.555.ZZC	EGG.3B.655.ZZM	
				0.45	2	32	28	FGG.3B.556.ZZC	EGG.3B.656.ZZM	
<b>4B 4K</b>	304	FGG.4B.304.YL	EGG.4B.404.YL	3.0	3.20	1	14	10	FGG.4B.580.ZZC	EGG.4B.680.ZZM
	306/307	FGG.4B.30●.YL	EGG.4B.40●.YL	2.0	2.40	1	16	12	FGG.4B.575.ZZC	EGG.4B.675.ZZM
					1.90	2	18	14	FGG.4B.576.ZZC	EGG.4B.676.ZZM
	310	FGG.4B.310.YL	EGG.4B.410.YL	1.6	1.90	1	18	14	FGG.4B.570.ZZC	EGG.4B.670.ZZM
					1.40	2	22	18	FGG.4B.571.ZZC	EGG.4B.671.ZZM
	312	FGG.4B.312.YL	EGG.4B.412.YL	1.3	1.40	1	20	18	FGG.4B.565.ZZC	EGG.4B.665.ZZM
					1.10	2	24	20	FGG.4B.566.ZZC	EGG.4B.666.ZZM
	316/320 324/330	FGG.4B.3●●.YL	EGG.4B.4●●.YL	0.9	1.10	1	24	20	FGG.4B.560.ZZC	EGG.4B.660.ZZM
					0.80	2	26	22	FGG.4B.561.ZZC	EGG.4B.661.ZZM
	340/348	FGG.4B.3●●.YL	EGG.4B.4●●.YL	0.7	0.80	1	26	22	FGG.4B.555.ZZC	EGG.4B.655.ZZM
0.45					2	32	28	FGG.4B.556.ZZC	EGG.4B.656.ZZM	
<b>5B 5K</b>	304	FGG.5B.304.ML	EGG.5B.404.ML	4.0	4.00	1	12	10	FGG.5B.582.ZZC	EGG.5B.682.ZZM
	310	FGG.5B.310.YL	EGG.5B.410.YL	3.0	3.20	1	14	10	FGG.5B.580.ZZC	EGG.5B.680.ZZM
	314/316	FGG.5B.3●●.YL	EGG.5B.4●●.YL	2.0	2.40	1	16	12	FGG.5B.575.ZZC	EGG.5B.675.ZZM
					1.90	2	18	14	FGG.5B.576.ZZC	EGG.5B.676.ZZM
	320	FGG.5B.320.YL	EGG.5B.420.YL	1.6	1.90	1	18	14	FGG.5B.570.ZZC	EGG.5B.670.ZZM
					1.40	2	22	18	FGG.5B.571.ZZC	EGG.5B.671.ZZM
	330/340/348	FGG.5B.3●●.YL	EGG.5B.4●●.YL	1.3	1.40	1	20	18	FGG.5B.565.ZZC	EGG.5B.665.ZZM
					1.10	2	24	20	FGG.5B.566.ZZC	EGG.5B.666.ZZM
					0.80	2	26	22	FGG.5B.567.ZZC	EGG.5B.667.ZZM
	350/354/364	FGG.5B.3●●.YL <sup>2)</sup>	EGG.5B.4●●.YL <sup>2)</sup>	0.9	1.10	1	24	20	FGG.5B.560.ZZC	EGG.5B.660.ZZM
0.80					2	26	22	FGG.5B.561.ZZC	EGG.5B.661.ZZM	

**Note:**

<sup>1)</sup> for 309 type the insulator part number is FGG.3B.309.ML (male contact) and EGG.3B.409.ML (female contact).

<sup>2)</sup> for 350 type the insulator part number is FGG.5B.350.ML (male contact) and EGG.5B.409.ML (female contact).

## Tools for crimp contacts

	Types	Positioners part number <sup>2)</sup>		Extractors part number for male/female contacts
		Male contact	Female contact	
<b>2S</b>	306	DCE.91.132.BVC	DCE.91.132.BVM	-
		DCE.91.132.CVC	DCE.91.132.CVM	
<b>3B 3K 3T</b>	302	DCE.91.303.BVCM		DCF.91.303.5LT
	303/304/309	DCE.91.203.BVCM		DCC.91.202.5LA <sup>1)</sup>
	305/306/307	DCE.91.163.BVCM		DCF.91.163.5LT
	308/309/310	DCE.91.133.BVC	DCE.91.133.BVM	DCF.91.133.5LT
	312/314 316/318	DCE.91.093.BVC	DCE.91.093.BVM	DCF.91.093.5LT
		DCE.91.093.BVG <sup>3)</sup>	DCE.91.093.BVU <sup>3)</sup>	
320/322/324 326/330	DCE.91.073.BVC	DCE.91.073.BVM	DCF.91.073.5LT	
<b>4B 4K</b>	304	DCE.91.304.BVCM		DCF.91.303.5LT
	306/307	DCE.91.204.BVCM		DCC.91.202.5LA <sup>1)</sup>
	310	DCE.91.164.BVCM		DCF.91.163.5LT
	312	DCE.91.134.BVC	DCE.91.134.BVM	DCF.91.133.5LT
	316/320 324/330	DCE.91.094.BVC	DCE.91.094.BVM	DCF.91.093.5LT
	340/348	DCE.91.074.BVC	DCE.91.074.BVM	DCF.91.073.5LT
	<b>5B 5K</b>	304	DCE.91.405.BVCM	
310		DCE.91.305.BVCM		DCF.91.303.5LT
314/316		DCE.91.205.BVCM		DCC.91.202.5LA <sup>1)</sup>
320		DCE.91.165.BVCM		DCF.91.163.5LT
330/340/348		DCE.91.135.BVC	DCE.91.135.BVM	DCF.91.133.5LT
		DCE.91.135.BVG	DCE.91.135.BVU	
350/354/364		DCE.91.095.BVC	DCE.91.095.BVM	DCF.91.093.5LT

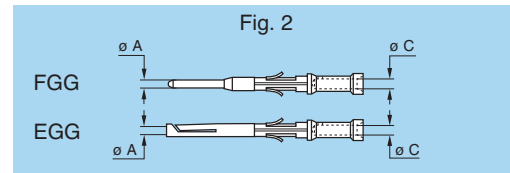
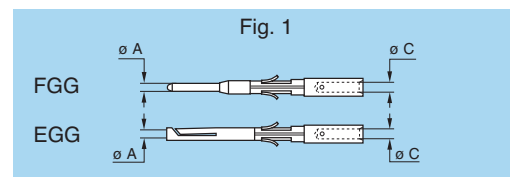
**Note:**

<sup>1)</sup> this model is thumb-operated.

<sup>2)</sup> please consult page 132 for the corresponding crimping tools.

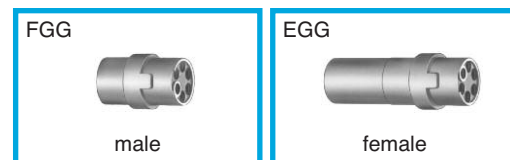
<sup>3)</sup> «G» and «U» positioners for reduced crimp barrel (see page 65 - fig. 2 for contact type details).

### FGG-EGG Crimp contacts



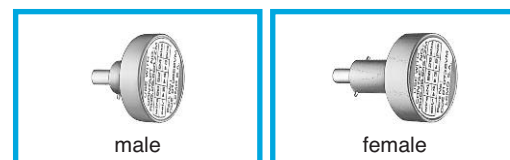
**Note:** a wide variation of strand number and diameter combinations are quoted as being AWG, some of which do not have a large enough cross section to guarantee a crimp as per either MIL-C-22520/1-01 or /7-01.

### FGG-EGG Insulators



**Note:** each insulator can be used both for crimp contacts of normal shape (fig. 1) or with reduced crimp barrel (fig. 2).

### DCE Positioners ø 0.5-0.7-0.9-1.3 mm <sup>2)</sup>



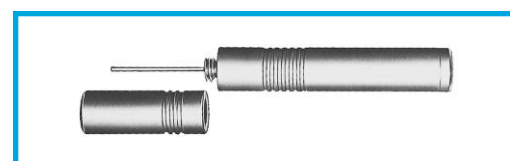
These positioners are suitable for use with both manual and pneumatic crimping tools according to the MIL-C-22520/7-01 standard.

### DCE Turret for ø 1.6-2.0-3.0-4.0 mm <sup>2)</sup>



**Note:** these turrets can be used with manual crimping tool according to MIL-C-22520/1-01 standard.

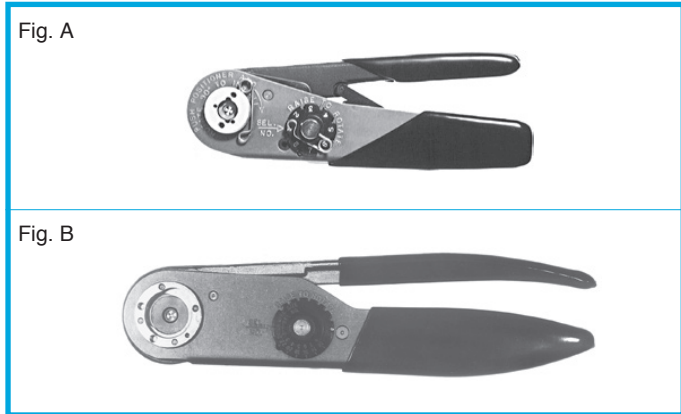
### DCF Automatic extraction tools



**Note:** (not valid for FA● and FW● models)

# Crimping tools for electrical contacts

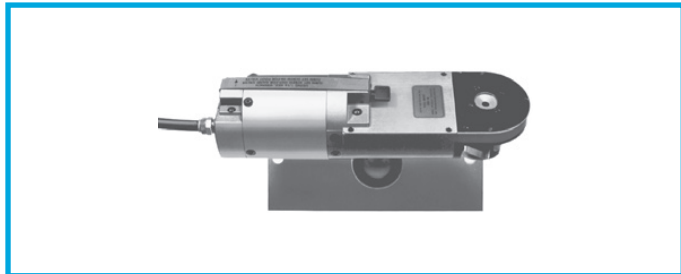
## Manual crimping tools



Part number			Supplier
contact ø 0.5-0.7 0.9-1.3 (Fig. A)	contact ø 1.6-2.0 (Fig. B)	contact ø 3.0-4.0 (Fig. B)	
<b>DPC.91.701.V<sup>1)</sup></b>	<b>DPC.91.101.A<sup>2)</sup></b>	<b>DPC.91.102.V</b>	LEMO
<b>MH860<sup>1)</sup></b>	<b>AF8<sup>2)</sup></b>	<b>M300BT</b>	DANIELS
<b>616336<sup>1)</sup></b>	<b>615708<sup>2)</sup></b>	-	ASTRO

1) According to specification MIL-C-22520/7-01.  
2) According to specification MIL-C-22520/1-01.

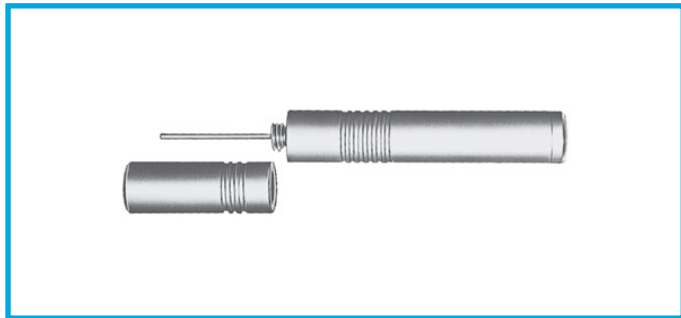
## Pneumatic crimping tools



Part number	Supplier
<b>DPC.91.701.C</b>	LEMO
<b>85230</b>	BALMAR
<b>621101</b>	BUCHANAN

According to specification MIL-C-22520/7-01.  
For LEMO contacts ø 0.5-0.7-0.9-1.3 mm

## DCF Automatic extraction tools for crimp contacts (for FA● and FW● models)



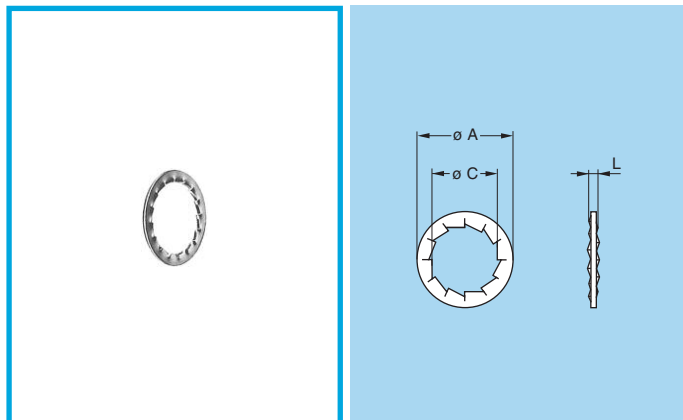
Extractors part number for male and female contacts	Series	Contact ø A (mm)
<b>DCF.92.162.3LT</b>	0B-0K to 3B-3K	1.6
<b>DCF.92.131.3LT</b>		1.3
<b>DCF.92.090.3LT</b>		0.9
<b>DCF.92.070.3LT</b>		0.7

**Note:**  
extractor for FA● of the 4B/4K and 5B/5K still need to be determined.



## Spare parts

### GBA Locking washers

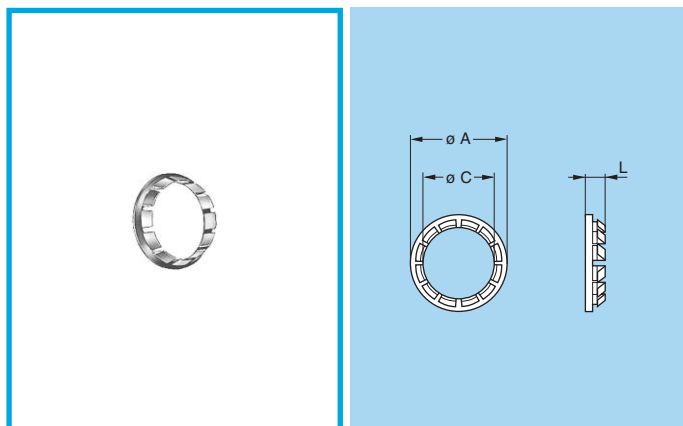


- Material: Nickel-plated bronze ( $3\ \mu\text{m}$ )

Part number	Series	Dimensions (mm)		
		A	C	L
<b>GBA.00.250.FN</b>	00-TT	9.5	7.1	1.0
<b>GBA.0S.250.FN</b>	0S-0B-0T	12.5	9.1	1.0
<b>GBA.1S.250.FN</b>	1S-1B-1T	16.0	12.1	1.0
<b>GBA.0E.250.FN</b>	XB	19.6	14.1	1.2
<b>GBA.1E.250.FN</b>	1E-1K	21.8	16.1	1.2
<b>GBA.2S.250.FN</b>	2S-2B-2T	19.5	15.1	1.2
<b>GBA.3S.250.FN</b>	3S-3B-3T	25.0	18.1	1.4
<b>GBA.4S.250.FN</b>	4S-4B	32.0	25.1	1.4

**Note:** to order this accessory separately, use the above part numbers.

### GBB Tapered washers

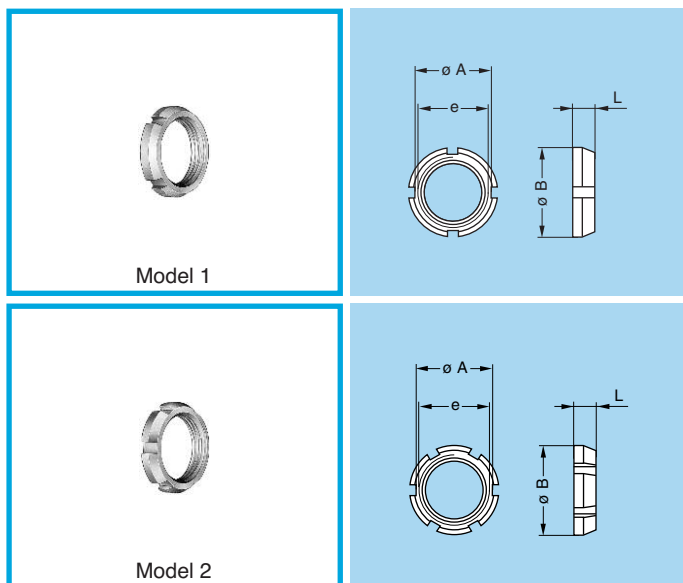


- Material: Nickel-plated brass ( $3\ \mu\text{m}$ )

Part number	Series	Dimensions (mm)		
		A	C	L
<b>GBB.00.250.LN</b>	00	9	7.1	2.0
<b>GBB.0S.250.LN</b>	0S-0B	11	9.1	2.5
<b>GBB.1S.250.LN</b>	1S-1B	15	12.1	3.5
<b>GBB.2S.250.LN</b>	2S-2B	18	15.1	4.0
<b>GBB.3S.250.LN</b>	3S-3B	22	18.1	4.5
<b>GBB.4S.250.LN</b>	4S-4B	28	25.2	5.0
<b>GBB.5S.250.LN</b>	5S-5B	40	35.2	7.5

**Note:** sockets of series 5B and 5S are always supplied with a tapered washer. To order this accessory separately, use the above part numbers. The panel cut out diameters are larger when using tapered washer.

### GEG Notched nut

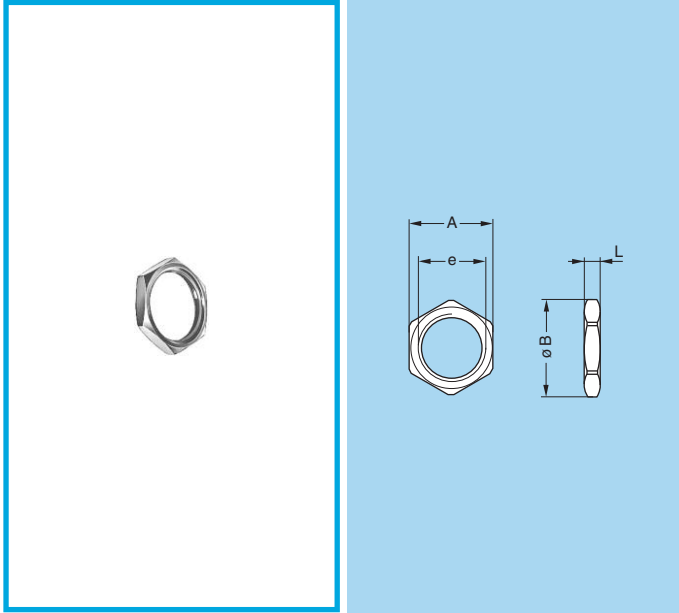


Part number	Model	Dimensions (mm)			
		A	B	e	L
<b>GEG.00.240.LC</b>	1	8.6	10	M7 x 0.5	2.5
<b>GEG.0S.240.LC</b>	1	10.5	12	M9 x 0.6	2.5
<b>GEG.0E.240.LC</b>	1	15.8	18	M14 x 1.0	3.5
<b>GEG.1S.240.LC</b>	1	14.0	16	M12 x 1.0	3.5
<b>GEG.1E.240.LC</b>	2	17.5	20	M16 x 1.0	3.5
<b>GEG.1S.242.LC</b>	1	12.1	14	M11 x 0.5	3.5
<b>GEG.2S.240.LC</b>	2	17.5	20	M15 x 1.0	3.5
<b>GEG.2S.241.LC</b>	2	20.5	24	M19 x 1.0	3.5
<b>GEG.2E.240.LC</b>	2	22.5	25	M20 x 1.0	3.5

- Material: Chrome-plated brass (Ni  $3\ \mu\text{m}$  + Cr  $0.3\ \mu\text{m}$ )

**Note:** 00, TT, 0B, 0T, 0S, 1B, 1T, 1S, 2B, 2T and 2S series fixed and free sockets for back panel mounting are always delivered with this notched nut. To order this accessory separately, use the above part numbers.

## GEA Hexagonal nuts

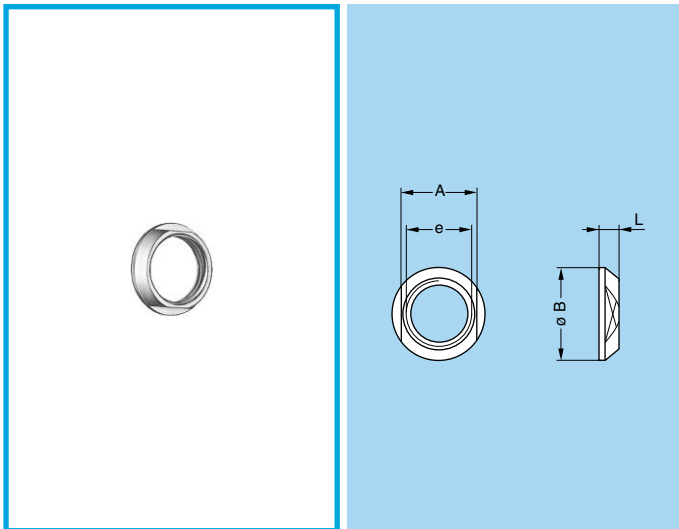


- Material: Nickel-plated brass (3  $\mu\text{m}$ ), natural anodized aluminium alloy, stainless steel

**Note:** to order this part separately, use the above part numbers. The last letters «LN» of the part number refer to the nut material and treatment. If a nut in aluminium alloy or stainless steel is desired, replace the last letters of the part number by «PT» or «AZ» respectively.

Part number	Series	Dimensions (mm)			
		A	B	e	L
GEA.00.240.LN	00-TT	9	10.2	M7 x 0.50	2.0
GEA.0S.240.LN	0S-0B-0T	11	12.4	M9 x 0.60	2.0
GEA.0S.241.LN	0S-0B	12	13.8	M10 x 0.75	2.5
GEA.0E.240.LN	0E-0K	17	19.2	M14 x 1.00	2.5
	1S-1B-XB				
GEA.1S.240.LN	1S-1B-1T	14	15.8	M12 x 1.00	2.5
GEA.1E.240.LN	1E-1K	19	21.5	M16 x 1.00	3.0
	2S-2B				
GEA.2S.240.LN	2S-2B-2T	17	19.2	M15 x 1.00	2.7
GEA.2E.240.LN	2E-2K	24	27.0	M20 x 1.00	4.0
GEA.3S.240.LN	3S-3B-3T	22	25.0	M18 x 1.00	3.0
GEA.3E.240.LN	3E-3K	30	34.0	M24 x 1.00	5.0
GEA.4S.240.LN	4S-4B	30	34.0	M25 x 1.00	5.0
GEA.4E.240.LN	4E-4K	36	40.5	M30 x 1.00	7.0

## GEC Conical nuts

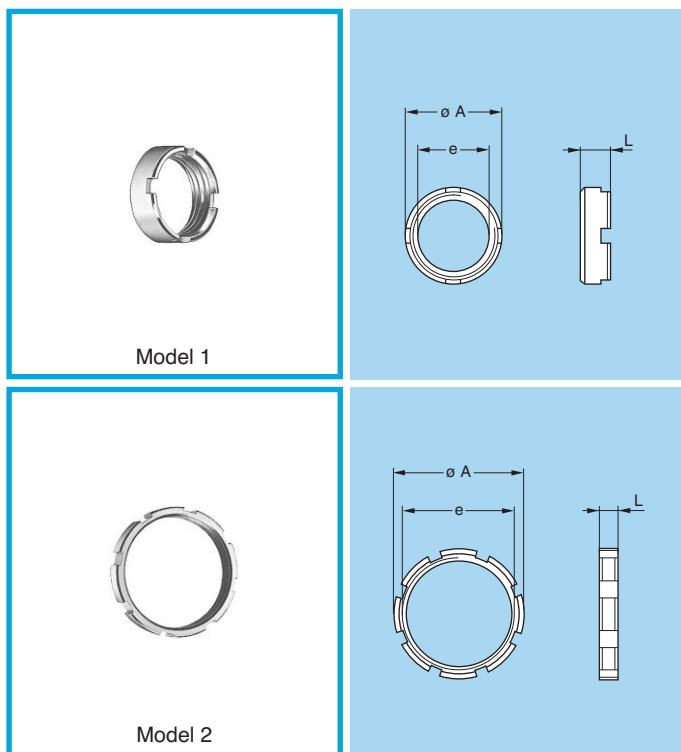


- Material: Chrome-plated brass (Ni 3  $\mu\text{m}$  + Cr 0.3  $\mu\text{m}$ )

**Note:** 3B, 3K, 3T, 3S, 3E, 4B, 4K, 4S, 4E, 5B, 5K, 5S, 5E, 6S and 6E series fixed and free sockets for back panel mounting are always delivered with a conical nut. To order this accessory separately, use the part numbers in the adjacent table.

Part number	Dimensions (mm)			
	A	B	e	L
GEC.00.240.LC	8	10.0	M7 x 0.5	2.5
GEC.0S.240.LC	10	12.0	M9 x 0.6	2.5
GEC.0E.240.LC	16	18.0	M14 x 1.0	3.0
GEC.1S.240.LC	13	16.0	M12 x 1.0	3.2
GEC.1S.241.LC	17	20.0	M16 x 1.0	4.0
GEC.1S.242.LC	12	14.0	M11 x 0.5	3.2
GEC.2S.240.LC	17	20.0	M15 x 1.0	3.8
GEC.2S.241.LC	20	24.0	M19 x 1.0	5.8
GEC.2E.240.LC	22	25.0	M20 x 1.0	5.0
GEC.3S.240.LC	20	24.0	M18 x 1.0	4.5
GEC.3E.240.LC	27	30.0	M24 x 1.0	4.5
GEC.4S.240.LC	27	30.0	M25 x 1.0	4.5
GEC.4K.241.LC	32	35.5	M30 x 1.0	5.0
GEC.5S.240.LC	37	41.0	M35 x 1.0	5.0

## GEB Round nuts

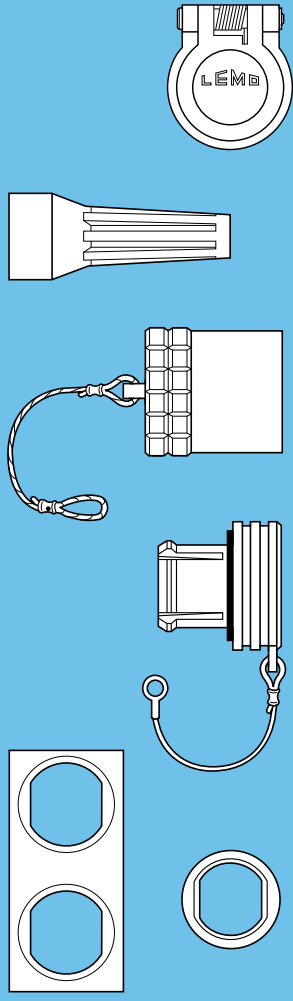


Part number	Model	Dimensions (mm)		
		A	e	L
<b>GEB.00.240.LN</b>	1	9.0	M7 x 0.50	4.0
<b>GEB.0S.240.LN</b>	1	11.0	M9 x 0.60	4.0
<b>GEB.0E.240.LN</b>	1	18.0	M14 x 1.00	5.0
<b>GEB.1S.240.LN</b>	1	14.0	M12 x 1.00	5.0
<b>GEB.1E.240.LN</b>	1	20.0	M16 x 1.00	5.0
<b>GEB.2S.240.LN</b>	1	18.0	M15 x 1.00	5.5
<b>GEB.2B.240.LN</b>	1	17.5	M15 x 0.75	2.5
<b>GEB.3S.240.LN</b>	1	22.0	M18 x 1.00	5.5
<b>GEB.4S.240.LN</b>	1	28.0	M25 x 1.00	6.0
<b>GEB.5S.240.LN</b>	2	40.0	M35 x 1.00	8.0
<b>GEB.5E.240.LN</b>	2	54.0	M45 x 1.50	8.0
<b>GEB.6S.241.LN</b>	2	54.0	M48 x 1.50	8.0
<b>GEB.6E.240.LN</b>	2	65.0	M55 x 2.00	9.0

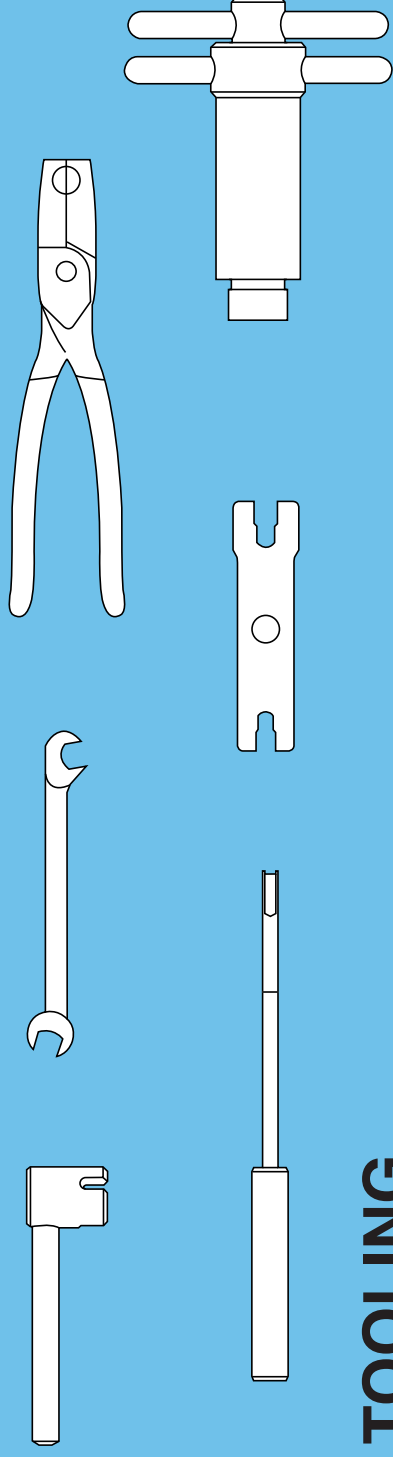
● Material: Nickel-plated brass (3  $\mu$ m)

**Note:** 5B, 5K, 5S, 5E, 6S and 6E series sockets are always supplied with model 2 round nuts. To order this accessory separately, use the part numbers in the adjacent table.





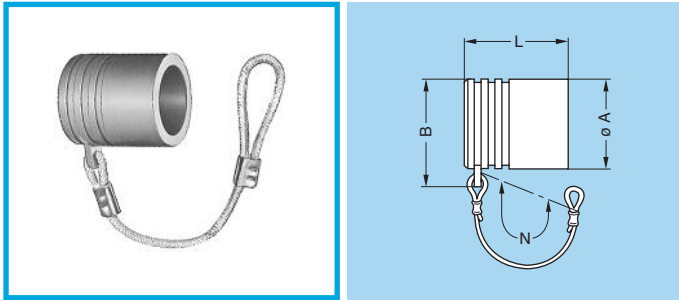
## ACCESSORIES



## TOOLING

# Accessories

## BFG Plug caps



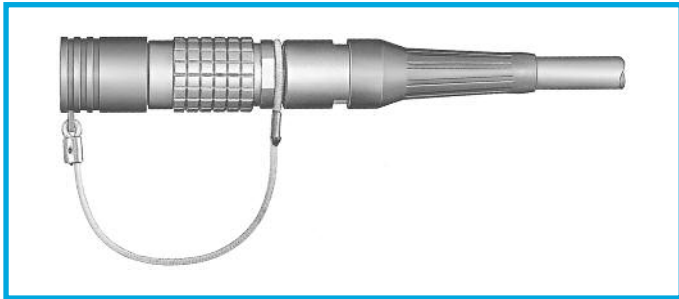
- Body material: Polyoxymethylene (POM) grey (or black)
- Cord material: Polyamide 6, grey (or black)
- Gasket material: Silicone rubber
- Maximum operating temperature: 100°C
- Watertightness: IP51 according to IEC 60529

Part number	Series	Dimensions (mm)			
		A	B	L	N
<b>BFG.00.100.PCSG</b>	00	7.5	9.8	10.0	60
<b>BFG.0B.100.PCZG</b>	0S-0B	9.5	12.0	12.2	85
<b>BFG.1B.100.PCZG</b>	1S-1B	12.0	15.0	13.8	85
<b>BFG.2B.100.PCSG</b>	2S-2B	15.0	18.0	15.0	85
<b>BFG.3B.100.PCSG</b>	3S-3B	18.5	22.0	18.5	95

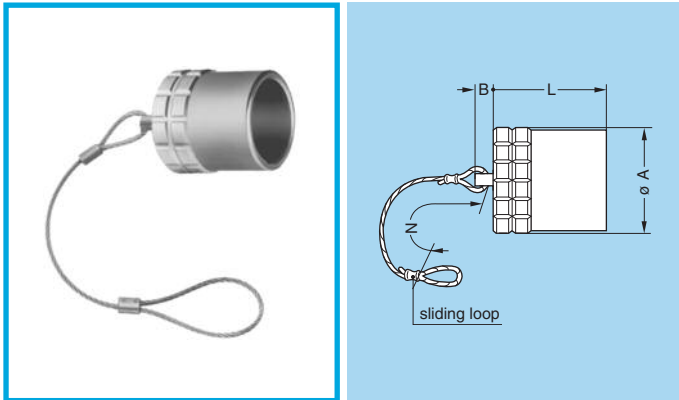
**Note:** this cap is available only with an alignment key (G). Upon request this cap can be supplied in black and the last letter «G» of the part number should be replaced with «N».

### Fitting the cord

Slide the plug into the loop of the cord.  
Place the loop into the groove in front of the collet nut and tighten the loop.



## BFA Plug caps

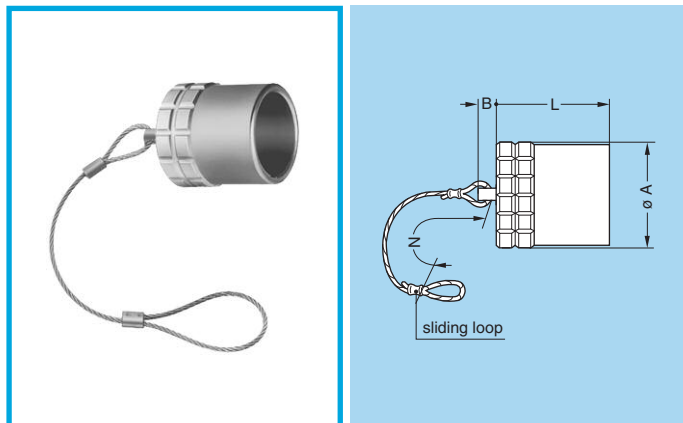


- Body material: Nickel-plated brass (Ni 3µm)
- Lanyard material: Stainless steel
- Crimp ferrule material: Nickel-plated brass + polyolefin
- O-ring material: Silicone rubber or FPM
- Maximum operating temperature: 135°C
- Watertightness: IP68 according to IEC 60529 for E series

Part number	Series	Dimensions (mm)			
		A	B	L	N
<b>BFA.0E.100.NAS</b>	0E	14.0	6	12.5	85
<b>BFA.1E.100.NAS</b>	1E	16.0	6	15.5	85
<b>BFA.2E.100.NAS</b>	2E	19.5	6	17.5	85
<b>BFA.3E.100.NAS</b>	3E	23.0	6	22.0	120
<b>BFA.4E.100.NAS</b>	4E	29.0	10	22.5	120
<b>BFA.4S.100.NAS</b>	4S	25.0	10	22.2	120
<b>BFA.5E.100.NAS</b>	5E	44.0	10	27.0	150
<b>BFA.5S.100.NAS</b>	5S	36.0	10	30.2	150
<b>BFA.6S.100.NAS</b>	6S	46.0	10	33.0	150

**Note:** the last letter «S» of the part number stands for the material of the O-ring (silicone rubber). O-ring's made from FPM are also available; if required, replace the letter «S» by «V».

## BFG Plug caps with key (G)

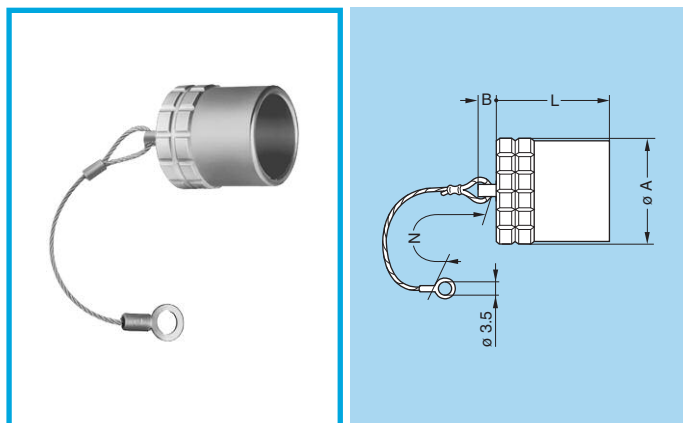


- Body material: Nickel-plated brass (Ni 3µm)
- Lanyard material: Stainless steel
- Crimp ferrule material: Nickel-plated brass + polyolefin
- O-ring material: Silicone rubber or FPM
- Maximum operating temperature: 135°C
- Watertightness: IP68 according to IEC 60529 for E and K series

Part number	Series	Dimensions (mm)			
		A	B	L	N
<b>BFG.0K.100.NAS</b>	0K	14.0	6	12.5	85
<b>BFG.1K.100.NAS</b>	1K	16.0	6	15.5	85
<b>BFG.2K.100.NAS</b>	2K	19.5	6	17.5	85
<b>BFG.3K.100.NAS</b>	3K	23.0	6	22.0	120
<b>BFG.4B.100.NAS</b>	4B	25.0	10	20.2	120
<b>BFG.4K.100.NAS</b>	4K	29.0	10	22.5	120
<b>BFG.5B.100.NAS</b>	5B	36.0	10	27.2	150
<b>BFG.5K.100.NAS</b>	5K	44.0	10	27.0	150
<b>BFG.6E.100.NAS</b>	6E	54.0	10	31.0	150

**Note:** this cap is available only with an alignment key (G). The last letter «S» of the part number stands for the material of the O-ring (silicone rubber). O-ring's made from FPM are also available; if required, replace the letter «S» by «V».

## BHG Plug caps, nut fixing or flange

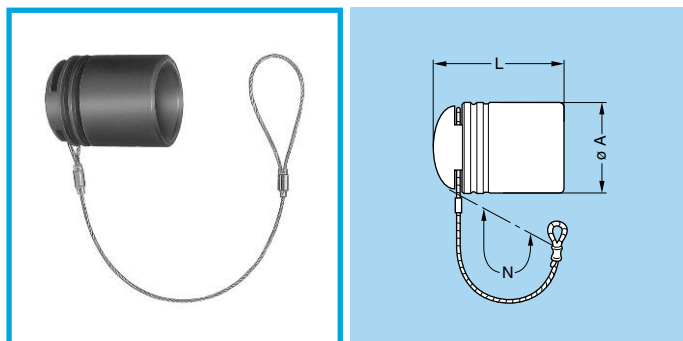


- Body material: Nickel-plated brass (Ni 3µm)
- Lanyard material: Stainless steel
- Crimp ferrule material: Nickel-plated brass + polyolefin
- O-ring material: Silicone rubber or FPM
- Maximum operating temperature: 135°C
- Watertightness: IP68 according to IEC 60529 for E and K series

Part number	Series	Dimensions (mm)			
		A	B	L	N
<b>BHG.0K.100.NAS</b>	0K	14.0	6	12.5	85
<b>BHG.1K.100.NAS</b>	1K	16.0	6	15.5	85
<b>BHG.2K.100.NAS</b>	2K	19.5	6	17.5	85
<b>BHG.3K.100.NAS</b>	3K	23.0	6	22.0	120
<b>BHG.4B.100.NAS</b>	4B	25.0	10	20.2	120
<b>BHG.4K.100.NAS</b>	4K	29.0	10	22.5	120
<b>BHG.5B.100.NAS</b>	5B	36.0	10	27.2	150
<b>BHG.5K.100.NAS</b>	5K	44.0	10	27.0	150
<b>BHG.6E.100.NAS</b>	6E	54.0	10	31.0	150

**Note:** this cap is available only with an alignment key (G). The last letter «S» of the part number stands for the material of the O-ring (silicone rubber). O-ring's made from FPM are also available; if required, replace the letter «S» by «V».

## BFG Plug cap

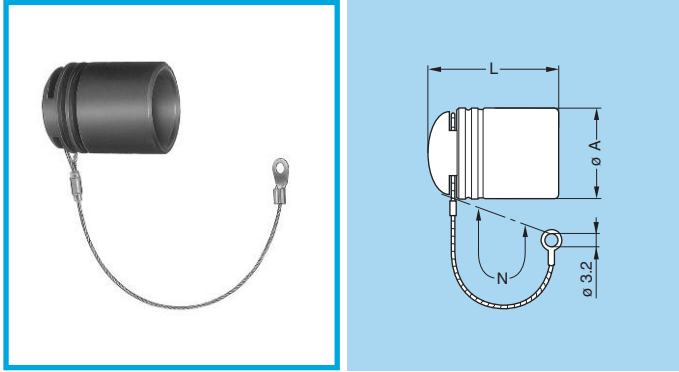


Part number	Series	Dimensions (mm)		
		A	L	N
<b>BFG.3K.100.EAN</b>	3K	26	31	155

- Material: black ALCRYN®
- Lanyard material: Stainless steel
- Crimp ferrule material: Stainless steel AISI 304 + polyolefin

**Note:** These caps are suitable for use with any alignment key configuration.

## BHA Plug cap

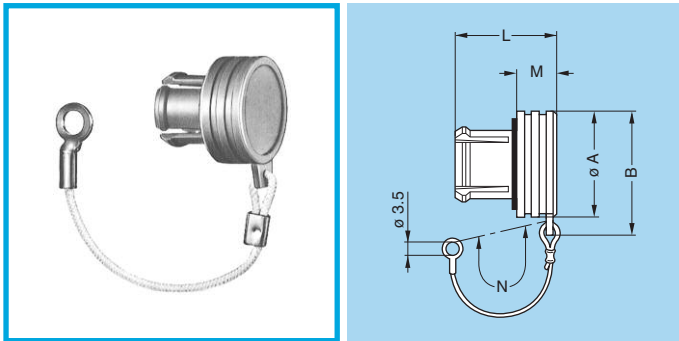


Part number	Series	Dimensions (mm)		
		A	L	N
<b>BHA.3K.100.EAN</b>	3K	26	31	120

- Material: black ALCRYN®
- Lanyard material: Stainless steel
- Crimp ferrule material: Stainless steel AISI 304 + polyolefin

**Note:** These caps are suitable for use with any alignment key configuration.

## BRA Blanking caps for fixed sockets and free straight sockets

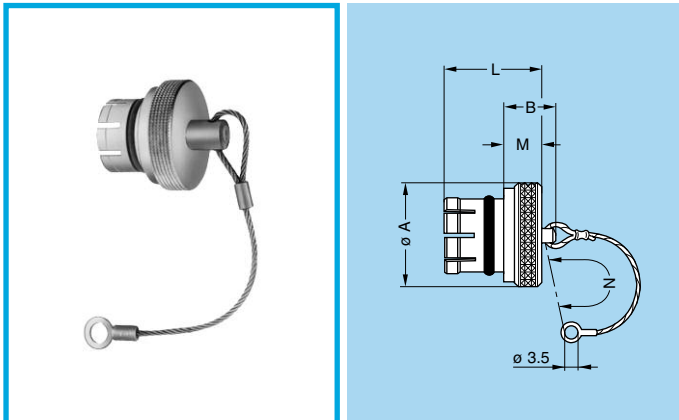


Part number	Series	Dimensions (mm)				
		A	B	L	M	N
<b>BRA.00.200.PCSG</b>	00	7.5	9.8	9.0	3.5	60
<b>BRA.0B.200.PCSG</b>	0S-0B	10.0	12.5	11.0	4.8	60
<b>BRA.1B.200.PCSG</b>	1S-1B	14.0	17.0	13.5	5.6	60
<b>BRA.2B.200.PCSG</b>	2S-2B	18.0	21.0	14.5	6.0	60
<b>BRA.3B.200.PCSG</b>	3S-3B	22.0	25.5	17.0	7.0	60

- Body material: Polyoxymethylene (POM) grey (or black)
- Cord material: Polyamide 6, grey (or black)
- Gasket material: Silicone rubber
- Maximum operating temperature: 100°C
- Watertightness: IP61 according to IEC 60529

**Note:** these caps are suitable for use with any alignment key configuration. On request this cap can be supplied in black. If so, replace the last letter «G» of the part number by «N».

## BRE Blanking caps for fixed sockets



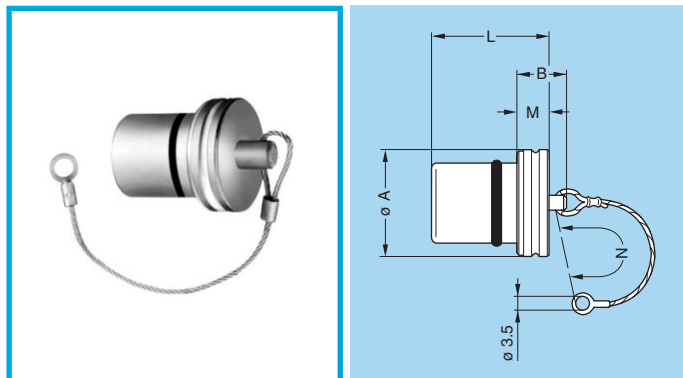
Part number	Series	Dimensions (mm)				
		A	B	L	M	N
<b>BRE.00.200.NAS</b>	00	8	7.5	8.8	3.5	60
<b>BRE.0S.200.NAS</b>	0S-0B	10	9.5	10.5	4.5	85
<b>BRE.1S.200.NAS</b>	1S-1B	14	11.0	12.5	5.0	85
<b>BRE.2S.200.NAS</b>	2S-2B	18	12.0	14.0	6.0	85
<b>BRE.3S.200.NAS</b>	3S-3B	22	14.0	18.0	8.0	120
<b>BRE.4S.200.NAS</b>	4S-4B	28	20.0	23.0	10.0	120
<b>BRE.5S.200.NAS</b>	5S-5B	40	22.0	30.0	12.0	150
<b>BRE.6S.200.NAS</b>	6S	54	22.0	30.0	12.0	150
<b>BRE.6E.200.NAS</b>	6E	57	24.0	31.5	14.0	150

- Body material: Nickel-plated brass (Ni 3 µm)
- Lanyard material: Stainless steel
- Crimp ferrule material: Nickel-plated brass + polyolefin
- O-ring material: Silicone rubber or FPM
- Maximum operating temperature: 135°C
- Watertightness: IP61 according to IEC 60529 for S series

**Note:** these caps are suitable for use with any alignment key configuration. The last letter «S» of the part number stands for the O-ring material (silicone rubber). O-ring's made from FPM are also available; if required, replace the letter «S» by «V».



## BRE Blanking caps for fixed sockets

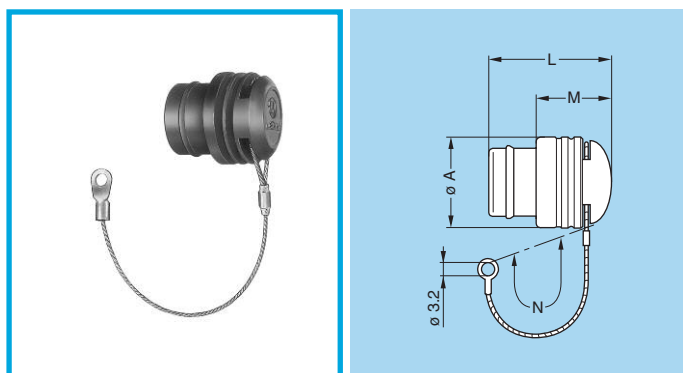


- Body material: Nickel-plated brass (Ni 3  $\mu$ m)
- Lanyard material: Stainless steel
- Crimp ferrule material: Nickel-plated brass + polyolefin
- O-ring material: Silicone rubber or FPM
- Maximum operating temperature: 135°C
- Watertightness: IP68 according to IEC 60529

Part number	Series	Dimensions (mm)				
		A	B	L	M	N
<b>BRE.0K.200.NAS</b>	0K-0E	15.0	10	15.0	4	85
<b>BRE.1K.200.NAS</b>	1K-1E	17.0	12	20.0	6	85
<b>BRE.2K.200.NAS</b>	2K-2E	20.5	14	24.0	8	85
<b>BRE.3K.200.NAS</b>	3K-3E	24.0	14	28.0	8	120
<b>BRE.4K.200.NAS</b>	4K-4E	30.0	20	30.5	10	120
<b>BRE.5K.200.NAS</b>	5K-5E	44.0	22	37.0	12	150

**Note:** these caps are suitable for use with any alignment key configuration. The last letter «S» of the part number stands for the O-ring material (silicone rubber). O-ring's made from FPM are also available; if required, replace the letter «S» by «V».

## BRA Blanking caps for fixed sockets

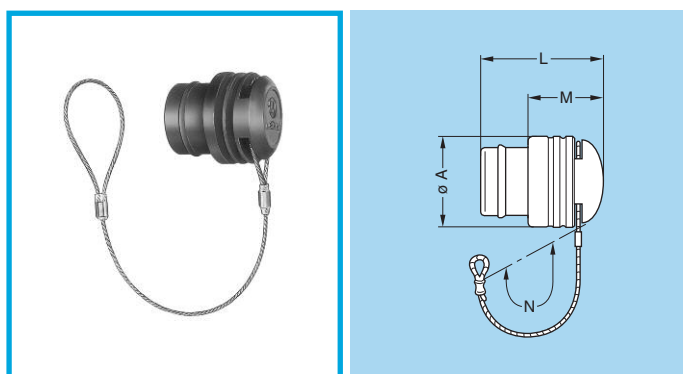


Part number	Series	Dimensions (mm)			
		A	L	M	N
<b>BRA.3K.200.EAN</b>	3K	26	27	14.5	120
<b>BRA.4K.200.EAN</b>	4K	31	31	17.0	120

- Material: black ALCRYN®
- Lanyard material: Stainless steel
- Crimp ferrule material: Stainless steel AISI 304 + polyolefin

**Note:** These caps are suitable for use with any alignment key configuration.

## BRF Blanking caps for free sockets

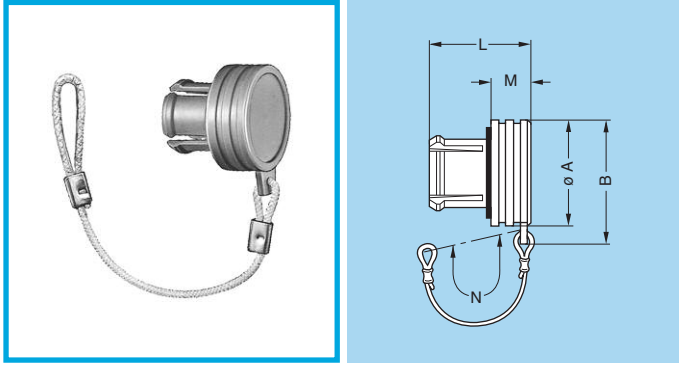


Part number	Series	Dimensions (mm)			
		A	L	M	N
<b>BRF.3K.200.EAN</b>	3K	26	27	14.5	155

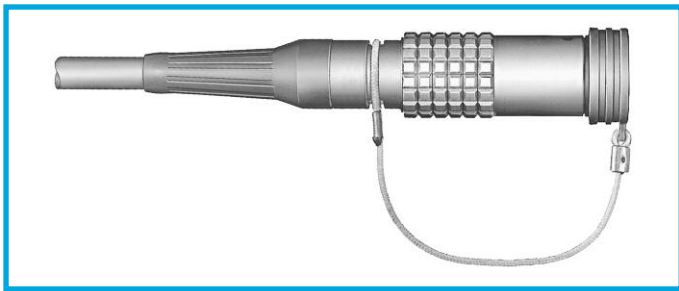
- Material: black ALCRYN®
- Lanyard material: Stainless steel
- Crimp ferrule material: Stainless steel AISI 304 + polyolefin

**Note:** These caps are suitable for use with any alignment key configuration.

## BRD Blanking caps for free sockets



- Body material: Polyoxymethylene (POM) grey (or black)
- Cord material: Polyamide 6, grey (or black)
- Gasket material: Silicone rubber
- Maximum operating temperature: 100°C
- Watertightness: IP61 according to IEC 60529



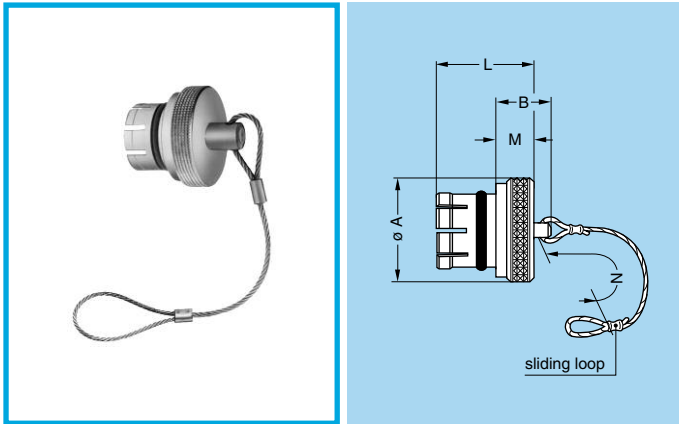
Part number	Series	Dimensions (mm)				
		A	B	L	M	N
<b>BRD.00.200.PCSG</b>	00	7.5	9.8	9.0	3.5	85
<b>BRD.0B.200.PCSG</b>	0S-0B	10.0	12.5	11.0	4.8	85
<b>BRD.1B.200.PCSG</b>	1S-1B	14.0	17.0	13.5	5.6	85
<b>BRD.2B.200.PCSG</b>	2S-2B	18.0	21.0	14.5	6.0	85
<b>BRD.3B.200.PCSG</b>	3S-3B	22.0	25.5	17.0	7.0	95

**Note:** on request this cap is available in black. If required, replace the last letter «G» of the part number by «N».

### Fitting the cord

Slide the socket into the loop of the cord.  
Place the loop into the groove in front of the collet nut.  
Tighten the loop.

## BRF Blanking caps for free sockets

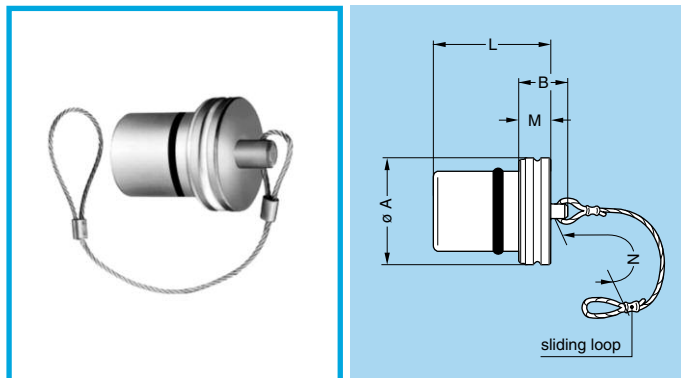


- Body material: Nickel-plated brass (Ni 3 µm)
- Lanyard material: Stainless steel
- Crimp ferrule material: Nickel-plated brass + polyolefin
- O-ring material: Silicone rubber or FPM
- Maximum operating temperature: 135°C
- Watertightness: IP61 according to IEC 60529 for S series

Part number	Series	Dimensions (mm)				
		A	B	L	M	N
<b>BRF.00.200.NAS</b>	00	8	7.5	8.8	3.5	85
<b>BRF.0S.200.NAS</b>	0S-0B	10	9.5	10.5	4.5	85
<b>BRF.1S.200.NAS</b>	1S-1B	14	11.0	12.5	5.0	85
<b>BRF.2S.200.NAS</b>	2S-2B	18	12.0	14.0	6.0	85
<b>BRF.3S.200.NAS</b>	3S-3B	22	14.0	18.0	8.0	120
<b>BRF.4S.200.NAS</b>	4S-4B	28	20.0	23.0	10.0	120
<b>BRF.5S.200.NAS</b>	5S-5B	40	22.0	30.0	12.0	150
<b>BRF.6S.200.NAS</b>	6S	54	22.0	30.0	12.0	150

**Note:** these caps are suitable for use with any alignment key configuration. The last letter «S» of the part number stands for the O-ring material (silicone rubber). O-ring's made from FPM are also available; if required, replace the letter «S» by «V».

## BRF Blanking caps for free sockets

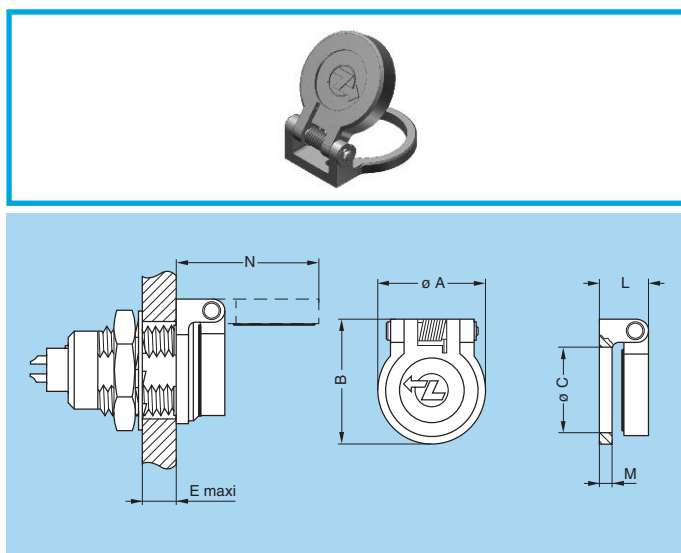


- Body material: Nickel-plated brass (Ni 3  $\mu$ m)
- Lanyard material: Stainless steel
- Crimp ferrule material: Nickel-plated brass + polyolefin
- O-ring material: Silicone rubber or FPM
- Maximum operating temperature: 135°C
- Watertightness: IP68 according to IEC 60529

Part number	Series	Dimensions (mm)				
		A	B	L	M	N
<b>BRF.0K.200.NAS</b>	0K-0E	15.0	10	15.0	4	85
<b>BRF.1K.200.NAS</b>	1K-1E	17.0	12	20.0	6	85
<b>BRF.2K.200.NAS</b>	2K-2E	20.5	14	24.0	8	85
<b>BRF.3K.200.NAS</b>	3K-3E	24.0	14	28.0	8	120
<b>BRF.4K.200.NAS</b>	4K-4E	30.0	20	30.5	10	120
<b>BRF.5K.200.NAS</b>	5K-5E	44.0	22	37.0	12	150

**Note:** these caps are suitable for use with any alignment key configuration. The last letter «S» of the part number stands for the O-ring material (silicone rubber). O-ring's made from FPM are also available; if required, replace the letter «S» by «V».

## BRR Spring loaded dust caps for ERA, ERN and EG sockets or PSA and PK fixed sockets

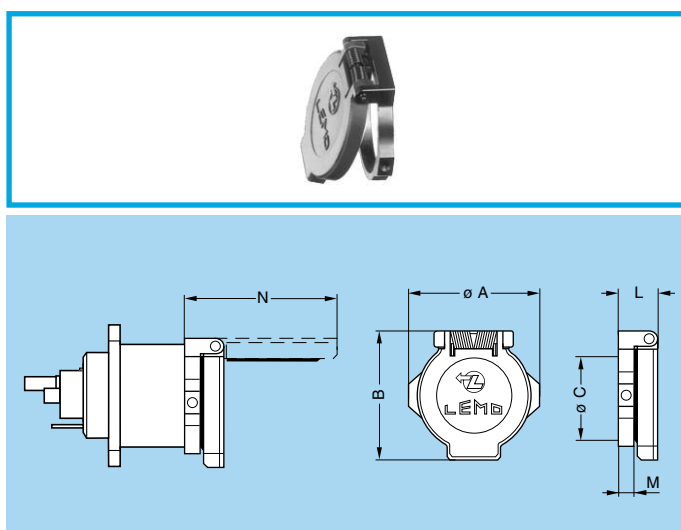


Part number	Series	Dimensions (mm)						
		A	B	C	E	L	M	N
<b>BRR.0S.200.PZVG</b>	0S-0B	11.0	13.3	9.0	5.8	5.0	1.2	15.3
<b>BRR.1S.200.PZVG</b>	1S-1B	14.2	17.1	12.0	6.0	6.3	1.5	20.3
<b>BRR.2S.200.PZVG</b>	2S-2B	18.6	22.4	15.2	6.5	8.2	2.0	26.2
<b>BRR.3S.200.PZVG</b>	3S-3B	22.5	26.5	18.2	9.0	8.8	2.5	30.8

**Note:** On request, this cap is available in black, blue or white. If so replace the last letter «G» of the part number by «N», «A» or «B».

- Body material: PSU
- Gasket material: FKM
- Spring material: Stainless steel
- Axes material: Nickel-plated brass
- Maximum operating temperature: 100°C
- Watertightness: IP61 according to IEC 60529

## BRR Spring loaded dust cap for ED and EB fixed sockets

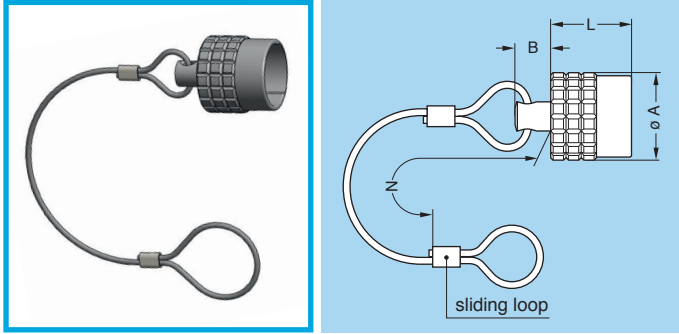


Part number	Series	Dimensions (mm)					
		A	B	C	L	M	N
<b>BRR.3K.200.PZSG</b>	3K	29	29	23	8.1	3	33.2

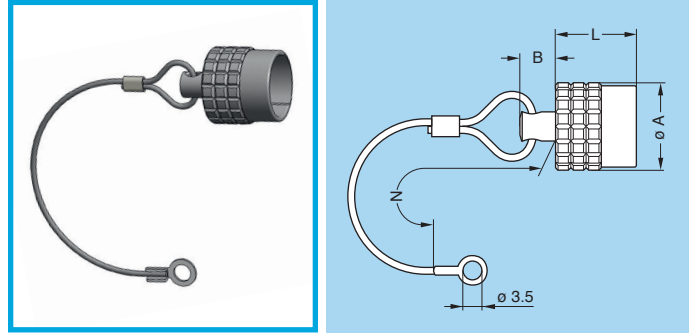
**Note:** Use Allen key (0.9 mm flat) to secure cap on connector.

- Cap material: Polyoxymethylene (POM) grey
- Body material: Nickel-plated brass
- Gasket material: Silicone rubber
- Spring material: Stainless steel
- Axes material: Nickel-plated brass
- Maximum operating temperature: 100°C
- Watertightness: IP61 according to IEC 60529

### BFG Blanking caps for plugs



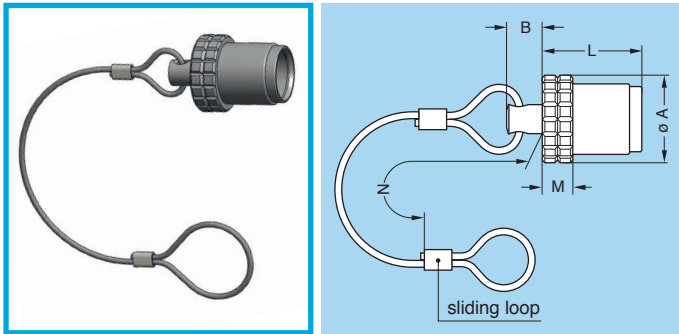
### BHG Blanking caps for fixed plugs



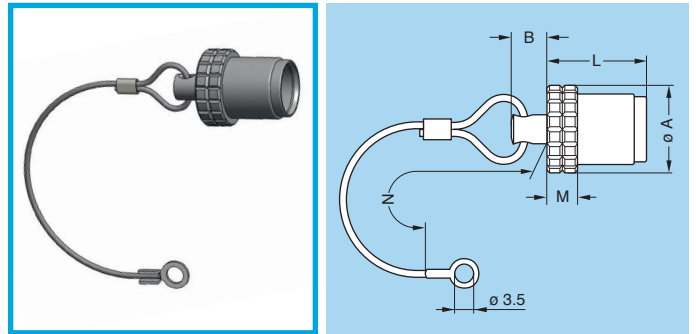
Part number	Dimensions (mm)				Part number
	A	B	L	N	
<b>BFG.TT.100.CAS</b>	7.0	4.3	9.0	60	<b>BHG.TT.100.CAS</b>
<b>BFG.0T.100.CAS</b>	9.5	5.0	11.0	85	<b>BHG.0T.100.CAS</b>
<b>BFG.1T.100.CAS</b>	12.0	6.3	12.4	85	<b>BHG.1T.100.CAS</b>
<b>BFG.2T.100.CAS</b>	15.0	6.4	13.8	85	<b>BHG.2T.100.CAS</b>
<b>BFG.3T.100.CAS</b>	18.8	6.4	17.6	120	<b>BHG.3T.100.CAS</b>

- Body material: Chrome-plated brass (Ni 3 μm)
- Lanyard material: Stainless steel
- Crimp ferrule material: Nickel-plated brass + polyolefin
- O-ring material: Silicone
- Maximum operating temperature: 135°C
- Watertightness: IP68 according to IEC 60529

### BRF Blanking caps for free sockets



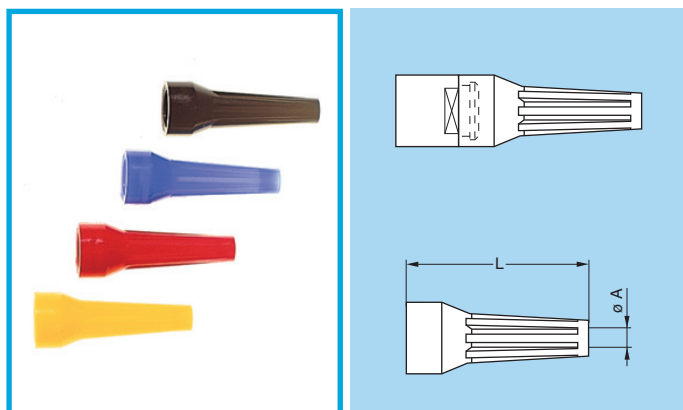
### BRE Blanking caps for sockets



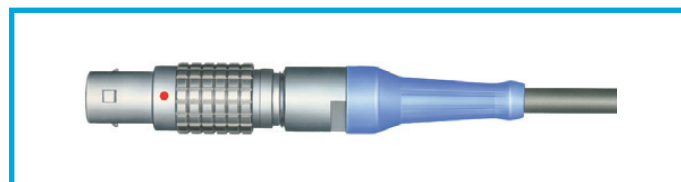
Part number	Dimensions (mm)					Part number
	A	B	L	M	N	
<b>BRF.TT.200.CAZ</b>	7.0	4.3	10.4	2.4	60	<b>BRE.TT.200.CAZ</b>
<b>BRF.0T.200.CAZ</b>	9.5	5.0	13.2	3.2	85	<b>BRE.0T.200.CAZ</b>
<b>BRF.1T.200.CAZ</b>	12.0	6.3	15.1	4.2	85	<b>BRE.1T.200.CAZ</b>
<b>BRF.2T.200.CAZ</b>	15.0	6.4	17.1	5.2	85	<b>BRE.2T.200.CAZ</b>
<b>BRF.3T.200.CAZ</b>	18.8	6.4	21.2	6.4	120	<b>BRE.3T.200.CAZ</b>

- Body material: Chrome-plated brass (Ni 3 μm)
- Lanyard material: Stainless steel
- Crimp ferrule material: Nickel-plated brass + polyolefin
- Maximum operating temperature: 135°C
- Watertightness: IP68 according to IEC 60529

## GM● Bend relief (TPU)



A bend relief made from thermoplastic polyurethane elastomer can be fitted over LEMO plugs and sockets that are supplied with nut for fitting such bend relief. They are available in nine different colours match with the GRA insulating washers (see page 149). Use the part numbers shown below to order this accessory separately.



### Main characteristics

- Material: TPU (Thermoplastic Polyurethane)
- Temperature range in dry atmosphere: -40°C +80°C

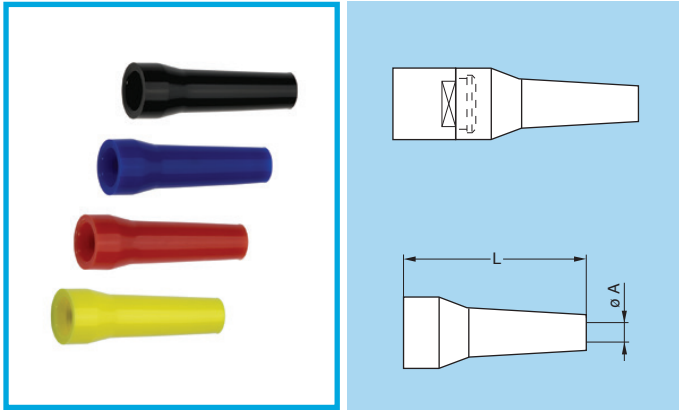
Part number	Series	Bend relief		Cable ø	
		A	L	min.	max.
<b>GMA.00.012.DG</b> <sup>1)</sup>	00-TT	1.2	22	1.1	1.4
<b>GMA.00.018.DG</b> <sup>1)</sup>		1.8	22	1.8	2.1
<b>GMB.00.025.DG</b> <sup>1)</sup>		2.5	22	2.5	2.8
<b>GMB.00.028.DG</b> <sup>1)</sup>		2.8	22	2.8	3.1
<b>GMB.00.032.DG</b> <sup>1)</sup>		3.2	22	3.2	3.5
<b>GMD.00.025.DG</b> <sup>1)</sup>		2.5	22	2.5	2.8
<b>GMD.00.028.DG</b> <sup>1)</sup>		2.8	22	2.8	3.1
<b>GMD.00.032.DG</b> <sup>1)</sup>		3.2	22	3.2	3.5
<b>GMA.0B.025.DG</b>		0B	2.5	24	2.5
<b>GMA.0B.030.DG</b>	3.0		24	3.0	3.4
<b>GMA.0B.035.DG</b>	0S	3.5	24	3.5	3.9
<b>GMA.0B.040.DG</b> <sup>1)</sup>	0E-0K-0T	4.0	24	4.0	4.4
<b>GMA.0B.045.DG</b> <sup>1)</sup>		4.5	24	4.5	5.2
<b>GMA.1B.025.DG</b>	1B-XB	2.5	30	2.5	2.9
<b>GMA.1B.030.DG</b>		3.0	30	3.0	3.4
<b>GMA.1B.035.DG</b>		3.5	30	3.5	3.9
<b>GMA.1B.040.DG</b>	1S	4.0	30	4.0	4.4
<b>GMA.1B.045.DG</b>	1E-1K-1T	4.5	30	4.5	4.9
<b>GMA.1B.054.DG</b>		5.4	30	5.4	6.0
<b>GMA.1B.065.DG</b> <sup>1)</sup>		6.5	30	6.5	7.0

Part number	Series	Bend relief		Cable ø	
		A	L	min.	max.
<b>GMA.2B.040.DG</b>	2B 2S 2E-2K-2T	4.0	36	4.0	4.5
<b>GMA.2B.045.DG</b>		4.5	36	4.5	5.0
<b>GMA.2B.050.DG</b>		5.0	36	5.0	5.5
<b>GMA.2B.060.DG</b>		6.0	36	6.0	6.5
<b>GMA.2B.070.DG</b>		7.0	36	7.0	7.7
<b>GMA.2B.080.DG</b> <sup>1)</sup>		7.8	36	7.8	8.8
<b>GMA.3B.050.DG</b> <sup>1)</sup>	3S 3B 3E-3K-3T 4S	4.5	42	4.5	5.2
<b>GMA.3B.060.DG</b>		6.0	42	6.0	6.9
<b>GMA.3B.070.DG</b>		7.0	42	7.0	7.9
<b>GMA.3B.080.DG</b>		8.0	42	8.0	8.9
<b>GMA.3B.090.DG</b>	9.0	42	9.0	10.0	
<b>GMA.4B.080.DG</b> <sup>1)</sup>	4S 4B 4E-4K 5E-5K	8.0	60	8.0	9.0
<b>GMA.4B.010.DG</b> <sup>1)</sup>		10.0	60	10.0	10.9
<b>GMA.4B.011.DG</b> <sup>1)</sup>		11.0	60	11.0	11.9
<b>GMA.4B.012.DG</b> <sup>1)</sup>		12.0	60	12.0	13.0
<b>GMA.4B.013.DG</b> <sup>1)</sup>		13.5	60	13.5	14.5

**Note:** all dimensions are in millimetres.

**Note:** <sup>1)</sup> Design may differ from other bend relief, model without stripes. The «GMD» are thin bend reliefs (for very flexible cables). The last letter «G» of the part number indicates the grey colour of the bend relief. For ordering a bend relief with another colour, see table on page 146 and replace the letter «G» by the letter of the required colour. See also detailed information for each series: B series on page 71; K series on page 71; T series on page 71; S series on page 121; E series on page 121.

## GMA Bend relief (Silicone)



A bend relief has been designed for connectors used in applications at high temperature or requiring vapour sterilization.

These bend reliefs are different from previous ones as for their material, a silicone elastomer which is noted for its retention of flexibility over a wide temperature range. They are available in nine colours.

Use the part numbers shown below to order this accessory separately.

### Main characteristics

- Material: Silicone elastomer VMQ
- Temperature range in dry atmosphere: -60°C +200°C
- Temperature range in water steam: +140°C

Part number	Series	Bend relief		Cable ø	
		A	L	min.	max.
<b>GMA.0B.018.RG</b>	0B 0S 0E-0K-0T	1.7	27	1.7	2.4
<b>GMA.0B.025.RG</b>		2.5	27	2.5	2.9
<b>GMA.0B.030.RG</b>		3.0	27	3.0	3.4
<b>GMA.0B.035.RG</b>		3.5	27	3.5	3.9
<b>GMA.0B.040.RG</b>		4.0	27	4.0	4.4
<b>GMA.0B.045.RG</b>		4.5	27	4.5	5.2
<b>GMA.1B.025.RG</b>		1B 1S 1E-1K-1T	2.5	34	2.5
<b>GMA.1B.030.RG</b>	3.0		34	3.0	3.4
<b>GMA.1B.035.RG</b>	3.5		34	3.5	3.9
<b>GMA.1B.040.RG</b>	4.0		34	4.0	4.4
<b>GMA.1B.045.RG</b>	4.5		34	4.5	5.0
<b>GMA.1B.051.RG</b>	5.1		34	5.1	5.6
<b>GMA.1B.057.RG</b>	5.7		34	5.7	6.2
<b>GMA.1B.063.RG</b>	6.3		34	6.3	7.0

Part number	Series	Bend relief		Cable ø	
		A	L	min.	max.
<b>GMA.2B.040.RG</b>	2B 2S 2E-2K-2T	4.0	41	4.0	4.4
<b>GMA.2B.045.RG</b>		4.5	41	4.5	5.0
<b>GMA.2B.051.RG</b>		5.1	41	5.1	5.6
<b>GMA.2B.057.RG</b>		5.7	41	5.7	6.2
<b>GMA.2B.063.RG</b>		6.3	41	6.3	7.0
<b>GMA.2B.071.RG</b>		7.1	41	7.1	7.9
<b>GMA.2B.080.RG</b>		8.0	41	8.0	9.0

**Note:** The last letter «G» of the part number indicates the grey colour of the bend relief. For ordering a bend relief with another colour, see table on page 146 and replace the letter «G» by the letter of the required colour. See also detailed information for each series: B series on page 71; K series on page 71; T series on page 71; S series on page 121; E series on page 121.

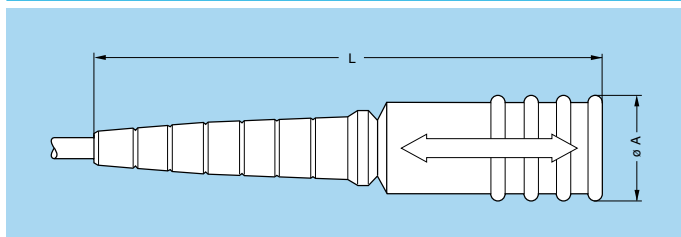
**Note:** the selection of pigments, which should remain stable at high temperature, is limited by the new regulations. For this reason, some colours will be a shade different from those used for Desmopan bend reliefs. The selected solutions represent the best possible compromise.

Ref.	Colour	Ref.	Colour	Ref.	Colour
<b>A</b>	blue	<b>J</b>	yellow	<b>R</b>	red
<b>B</b>	white	<b>M</b>	brown	<b>S</b>	orange
<b>G</b>	grey	<b>N</b>	black	<b>V</b>	green

## GM● Overall bend relief for plugs and sockets

Overall bend reliefs, type GMF for plugs and GMP for sockets offer optimum protection against mechanical damage and give a protection index of IP65 according to IEC 60529 (mated position). These bend reliefs slide easily over the connector shell and are positioned by slightly pressing the bend relief backnut. The special design of the bend relief for plug provides for easy use of the push-pull self-latching system.

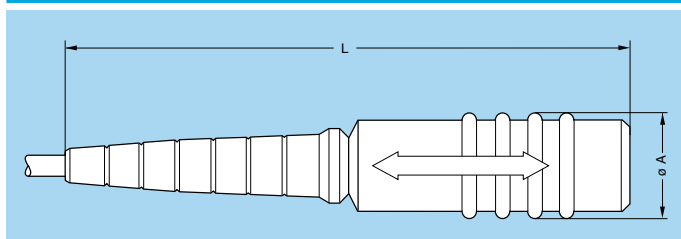
### GMF Bend relief for straight plug



Part number	Series	Bend relief		Cable ø	
		A	L	min.	max.
<b>GMF.0B.035.060EN</b>	0S-0B	11.0	60.5	1.0	3.5
<b>GMF.1B.062.072EN</b>	1S-1B	16.0	72.0	2.5	6.2
<b>GMF.2B.082.095EN</b>	2S-2B	22.0	95.0	5.0	8.2

- Material: Elastomer rubber black colour
- Operating temperature: -30°C to +120°C

### GMP Bend relief for free socket

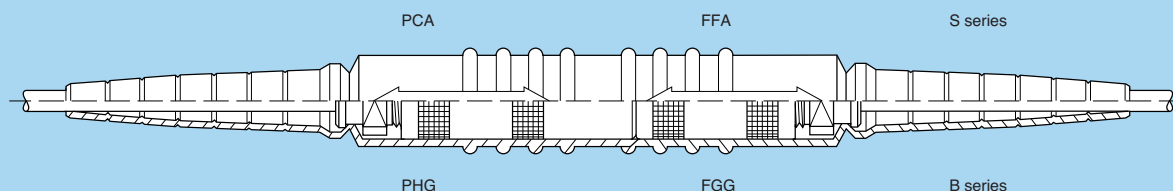


Part number	Series	Bend relief		Cable ø	
		A	L	min.	max.
<b>GMP.0B.035.069EN</b>	0S-0B	11.0	69.0	1.0	3.5
<b>GMP.1B.062.079EN</b>	1S-1B	16.0	80.0	2.5	6.2
<b>GMP.2B.082.102EN</b>	2S-2B	21.0	102.5	5.0	8.2

- Material: Elastomer rubber black colour
- Operating temperature: -30°C to +120°C

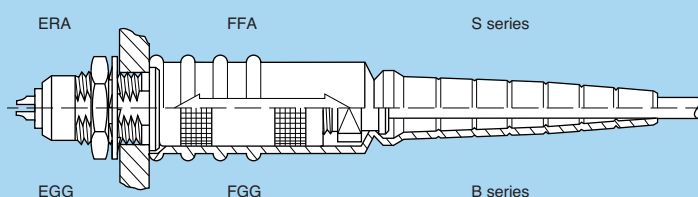
- The overall bend relief shall be installed over plug or free socket fitted with a nut for bend relief.
- The typical applications are shown below.
- The overall bend relief can be cut at different length depending on cable diameter.

#### Plug-free socket



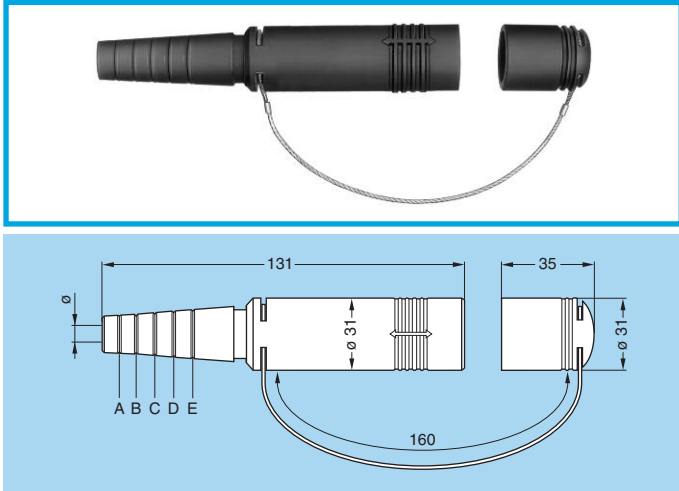
#### Plug-fixed socket

Optimum protection is offered only when using front panel mounting fixed sockets





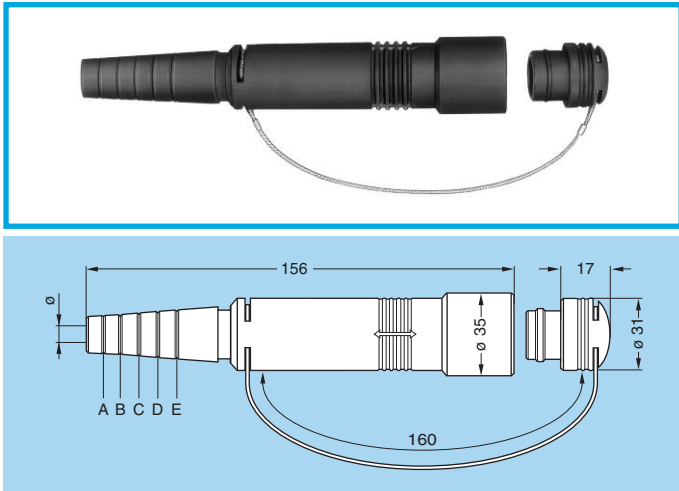
### GMF Bend relief with cap for plug



Part number	Series	For models	Cut	admissible $\phi$ (mm)	
				min.	max.
GMF.4K.080.EANZ	4E	FFA	-	8.0	8.9
			A	9.0	9.9
			B	10.0	11.4
	4K	FGG	C	11.5	12.9
			D	13.0	14.9
E	15.0	16.5			

● Material: Black EPDM

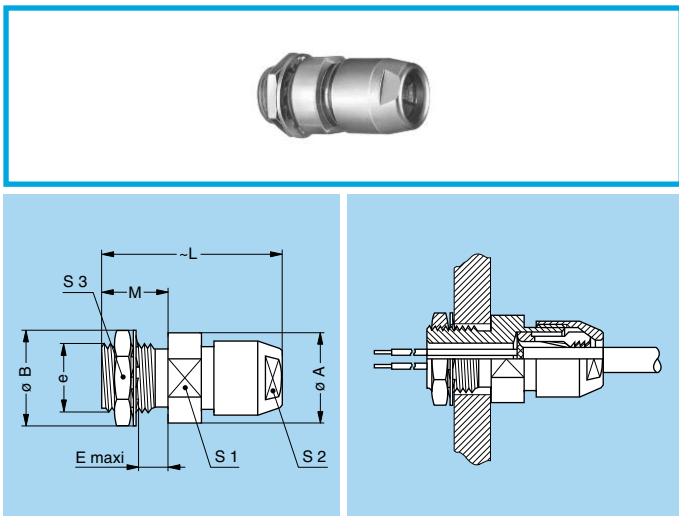
### GMP Bend relief with cap for free socket



Part number	Series	For models	Cut	admissible $\phi$ (mm)	
				min.	max.
GMP.4K.080.EANZ	4E	PCA	-	8.0	8.9
			A	9.0	9.9
			B	10.0	11.4
	4K	PHG	C	11.5	12.9
			D	13.0	14.9
E	15.0	16.5			

● Material: Black EPDM

### GSC Lead-through with cable collet

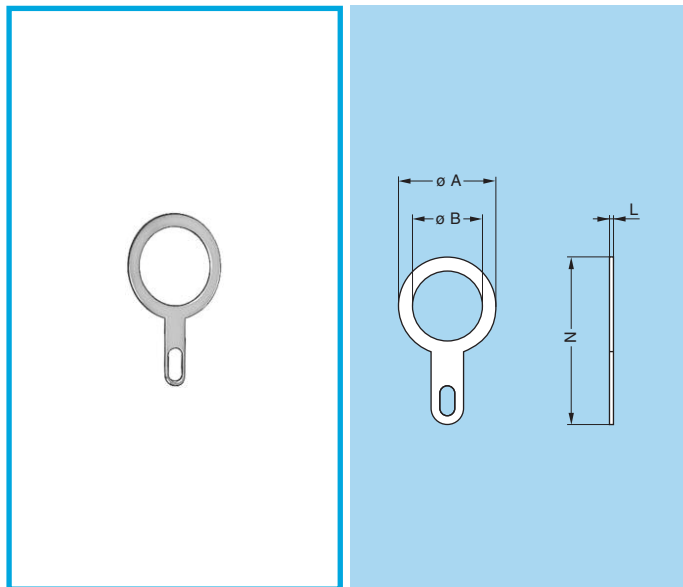


Part number	Dimensions (mm)								
	A	B	e	E	L	M	S1	S2	S3
GSC.00.290.CD●●	6.5	8.1	M5x0.5	1.5	16	4.0	5	6	7
GSC.1S.290.ND●●	12.0	12.5	M9x0.6	5.0	26	7.5	11	9	11
GSC.3S.290.ND●●	17.0	19.5	M15x1.0	8.1	30	12.0	-	14	17

**Note:** ●● = collet cable diameter of the B series. For cable diameter refer to page 67. Other surface treatment available.  
The cable collet system stands for both screened and unscreened cables. It can be delivered with a nut for fitting a bend relief if you add a «Z» at the end of the part number.



## GCA Earthing washer

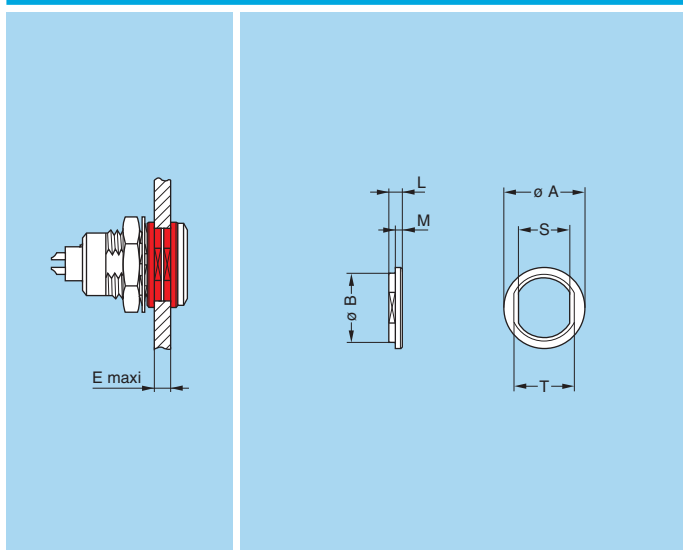
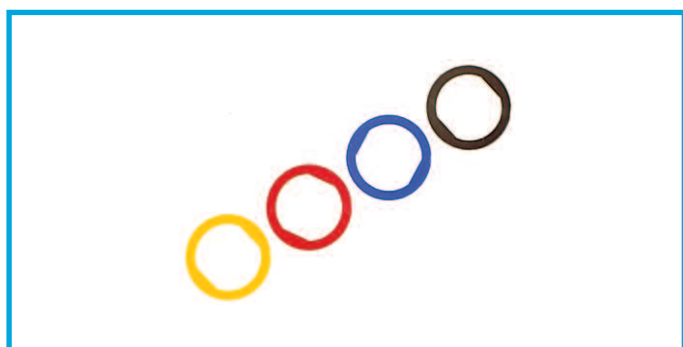


Part number	Series	Dimensions (mm)			
		A	B	L	N
GCA.00.255.LT	00-TT	9.5	7.1	0.4	18.2
GCA.0S.255.LT	0S-0B-0T	13.0	9.1	0.4	22.0
GCA.0E.255.LT	0E-0K	17.0	14.1	0.5	27.5
GCA.1S.255.LT	1S-1B-1T	17.0	12.2	0.5	27.5
GCA.1E.255.LT	1E-1K	20.0	16.2	0.5	32.0
GCA.2S.255.LT	2S-2B-2T	20.0	15.2	0.5	32.0
GCA.2E.255.LT	2E-2K	25.0	20.2	0.5	39.0
GCA.3S.255.LT	3S-3B-3T	25.0	18.2	0.5	39.0
GCA.4S.255.LT	4S-4B	35.0	25.6	0.6	50.0
GCA.4E.255.LT	4E-4K	35.0	30.6	0.6	50.0
GCA.5S.255.LT	5S-5B	42.0	35.1	0.3	57.5

● Material: CuSnZn plated brass (2  $\mu$ m)

## GRA Insulating washers

Sockets or plugs mounted on panels can be fitted with insulating washers. The nine colours available combined with those for the bend reliefs makes colour coding possible.



Part number	Series	Dimensions (mm)						
		A	B	E	L	M	S	T
GRA.00.269.GG	00	10.0	8.8	4.5	1.8	1.0	6.4	8.0
GRA.0S.269.GG	0S-0B	12.0	10.8	6.0	1.8	1.0	8.3	9.9
GRA.1S.269.GG	1S-1B	16.0	13.8	6.5	1.8	1.0	10.6	12.2
GRA.2S.269.GG	2S-2B	21.1	17.9	7.3	2.3	1.3	13.6	16.2
GRA.3S.269.GG	3S-3B	25.0	21.8	10.3	2.2	1.2	16.7	20.2
GRA.4S.269.GG	4S-4B	31.9	28.7	10.5	2.5	1.5	23.6	27.1

**Note:** insulating washers for series 5B are available on request.

**Caution:** these insulating washers can be used with fixed and free sockets with across flat dimension S1 equivalent to the S dimension of the washer.

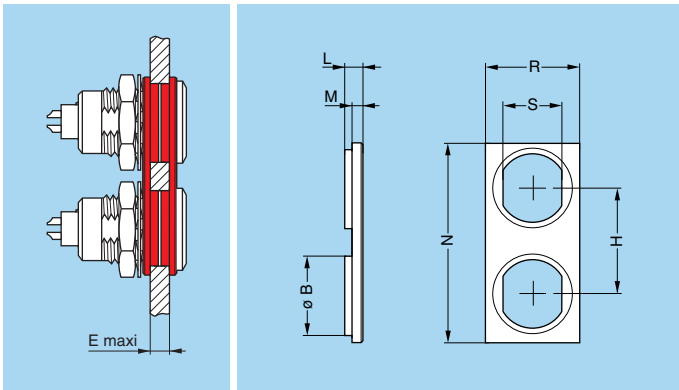
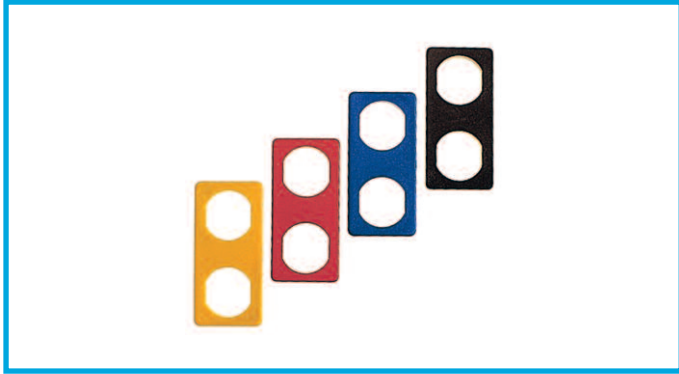
- Material: Polyamide
- Maximum operating temperature: 90° C

Ref.	Colour	Ref.	Colour	Ref.	Colour
A	blue	J	yellow	R	red
B	white	M	brown	S	orange
G	grey	N	black	V	green

**Note:** the last letter «G» of the part number indicates the colour grey for the insulating washer. To obtain an insulating washer of another colour, refer to the table above and change the letter «G» of the part number to the corresponding letter of the colour required. For the panel cut-out, please consult chapter «Panel cut-out» on page 158.

## GRC Double panel washers

Double panel washers have been designed to make the drilling of panel holes easier for mounting fixed and free sockets. The combination of the nine different colours of the double panel washers and of the bend reliefs makes colour coding possible.



Part number	Series	Dimensions (mm)							
		B	E	H	L	M	N	R	S
<b>GRC.0S.260.HG</b>	0S-0B	10.9	5	14	2.5	1.5	26.5	12.5	8.3
<b>GRC.1B.260.HG</b>	1S-1B	13.9	5	20	3.3	1.8	34.5	14.5	10.6

**Caution:** these double panel washers can be used with fixed or free sockets with across flat dimension S1 equivalent to the S dimension of the washer.

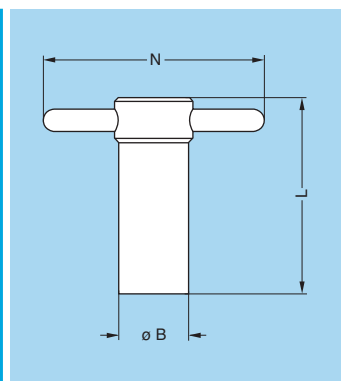
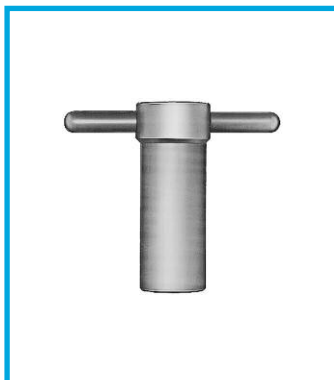
- Material: Polyamide
- Maximum operating temperature: 90° C

Ref.	Colour	Ref.	Colour	Ref.	Colour
<b>A</b>	blue	<b>J</b>	yellow	<b>R</b>	red
<b>B</b>	white	<b>M</b>	brown	<b>S</b>	orange
<b>G</b>	grey	<b>N</b>	black	<b>V</b>	green

**Note:** the last letter «G» of the washer's part number indicates the colour grey. For other colours, refer to the above table and replace letter «G» by the one corresponding to the colour required. For the panel cut-out, please consult chapter «Panel cut-out» on page 158.

# Tooling

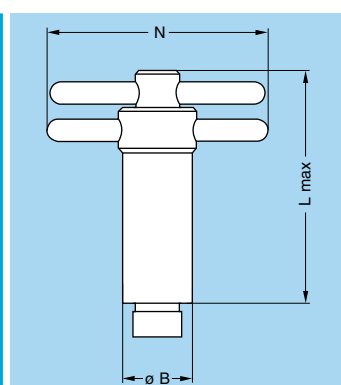
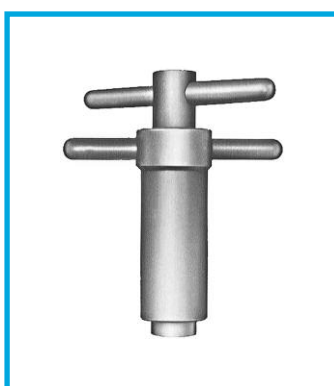
## DCG Spanners for hexagonal nuts



Part number	Dimensions (mm)			Part number of the nut
	B	L	N	
<b>DCG.91.149.0TN</b>	14	40	50	GEA.00.240.LN
<b>DCG.91.161.1TN</b>	16	45	52	GEA.0S.240.LN
<b>DCG.91.201.4TN</b>	20	52	65	GEA.1S.240.LN
<b>DCG.91.231.7TN</b>	23	62	68	GEA.2S.240.LN
<b>DCG.91.282.2TN</b>	28	76	73	GEA.3S.240.LN

● Material: blackened steel

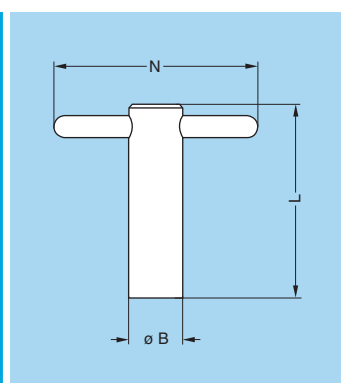
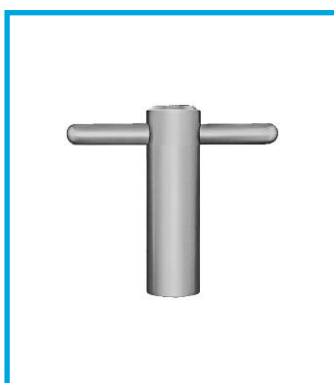
## DCA Spanners for hexagonal nuts with locator for flats on socket thread



Part number	Dimensions (mm)			Part number of the nut
	B	L	N	
<b>DCA.91.149.0TN</b>	14	65	50	GEA.00.240.LN
<b>DCA.91.161.1TN</b>	16	73	52	GEA.0S.240.LN
<b>DCA.91.201.4TN</b>	20	85	65	GEA.1S.240.LN
<b>DCA.91.231.7TN</b>	23	100	68	GEA.2S.240.LN
<b>DCA.91.282.2TN</b>	28	120	73	GEA.3S.240.LN

● Material: blackened steel

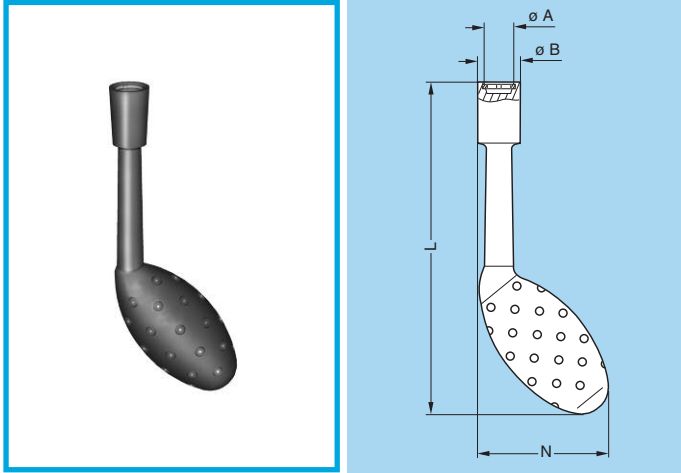
## DCB Spanners for round nuts



Part number	Dimensions (mm)			Part number of the nut
	B	L	N	
<b>DCB.91.119.0TN</b>	11	40	50	GEB.00.240.LN
<b>DCB.91.131.1TN</b>	13	45	50	GEB.0S.240.LN
<b>DCB.91.161.4TN</b>	16	52	65	GEB.1S.240.LN
<b>DCB.91.201.8TN</b>	20	62	65	GEB.2S.240.LN
<b>DCB.91.242.2TN</b>	24	76	70	GEB.3S.240.LN

● Material: blackened steel

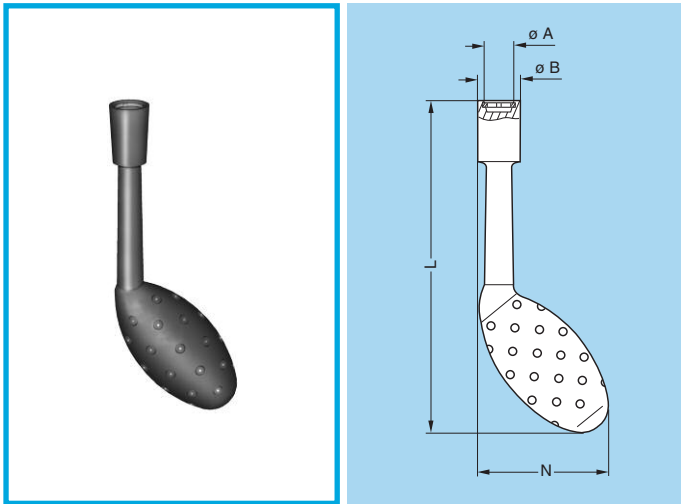
## DCH Spanners for conical nuts



Part number	Dimensions (mm)				Part number of the nut
	A	B	L	N	
<b>DCH.91.101.PN</b>	10.1	12.8	124	48.3	GEC.00.240.LC
<b>DCH.91.121.PN</b>	12.1	14.8	124	49.3	GEC.0S.240.LC
<b>DCH.91.161.PN</b>	16.1	21.0	124	51.9	GEC.1S.240.LC
<b>DCH.91.201.PN</b>	20.1	22.8	129	53.5	GEC.2S.240.LC

● Material: dark grey polyurethane

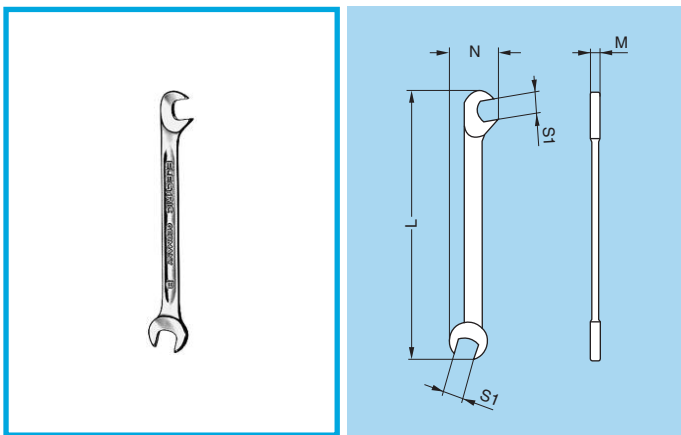
## DCH Spanners for notched nuts



Part number	Dimensions (mm)				Part number of the nut
	A	B	L	N	
<b>DCH.91.101.PA</b>	10.1	12.8	124	48.3	GEG.00.240.LC
<b>DCH.91.121.PA</b>	12.1	14.8	124	49.3	GEG.0S.240.LC
<b>DCH.91.181.PA</b>	18.1	22.8	129	53.1	GEG.0E.240.LC
<b>DCH.91.161.PA</b>	16.1	21.0	124	51.2	GEG.1S.240.LC
<b>DCH.91.201.PA</b>	20.1	22.8	129	53.5	GEG.1E.240.LC
<b>DCH.91.141.PA</b>	14.1	18.6	124	51.2	GEG.1S.242.LC
<b>DCH.91.201.PA</b>	20.1	22.8	129	53.5	GEG.2S.240.LC
<b>DCH.91.241.PA</b>	24.1	30.8	134	52.6	GEG.2S.241.LC
<b>DCH.91.251.PA</b>	25.1	32.8	134	55.5	GEG.2E.240.LC

● Material: blue polyurethane

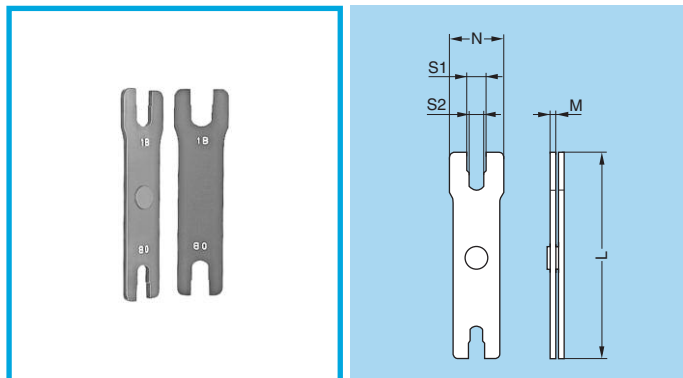
## DCP Flat spanners for collet nut



Part number	Dimensions (mm)			
	L	M	N	S1
<b>DCP.99.040.TC</b>	70	0.95	10.5	4.0
<b>DCP.99.045.TC</b>	70	2.00	10.5	4.5
<b>DCP.99.050.TC</b>	78	2.00	12.6	5.0
<b>DCP.99.055.TC</b>	78	2.00	12.6	5.5
<b>DCP.99.060.TC</b>	78	2.00	12.6	6.0

● Material: chrome-plated steel

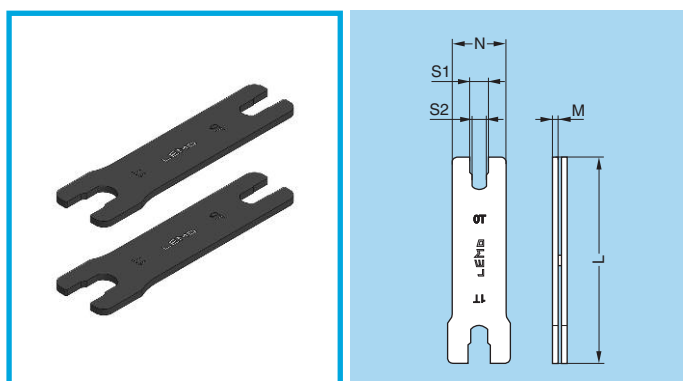
### DCP Set of flat spanners for collet nuts



Part number	Series	Dimensions (mm)				
		L	M	N	S1	S2
<b>DCP.91.001.TN</b>	0B	95	2.5	21	8.1	7.1
	1B	95	2.5	25	10.1	9.1
<b>DCP.91.023.TN</b>	2B-2K	115	3.0	30	13.1	12.1
	3B-3K	115	3.0	35	15.1	14.1
<b>DCP.91.045.TN</b>	4B	130	3.0	44	21.1	20.1
	5B	130	3.0	54	31.1	30.1

● Material: blackened steel

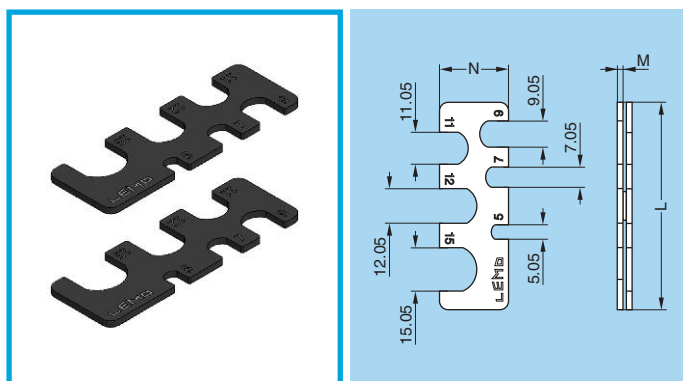
### DCP Set of flat spanners for collet nuts



Part number	Series	Dimensions (mm)				
		L	M	N	S1	S2
<b>DCP.0T.110.TN</b>	0T	95	2.5	21	7.55	7.05
	1T	95	2.5	25	11.05	9.05
<b>DCP.2T.110.TN</b>	2T	115	3.0	30	14.05	12.05
	3T	115	3.0	35	16.05	14.05

● Material: blackened steel

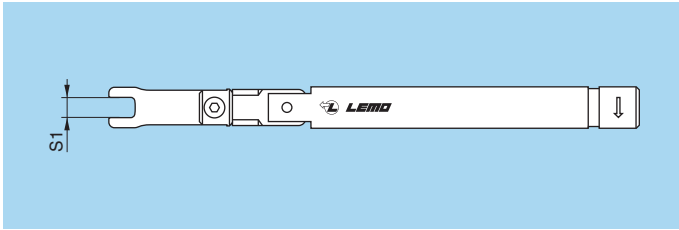
### DCP Set of flat spanners for FS● retaining ring & collet nuts



Part number	Series	Dimensions (mm)		
		L	M	N
<b>DCP.91.FSG.TN</b>	00-0B-1B-2B	72	2	24

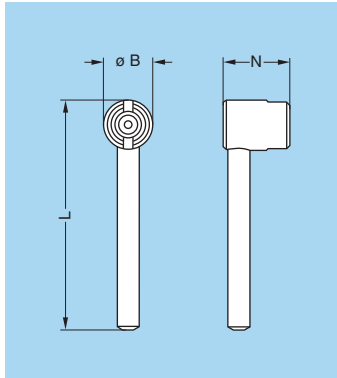
● Material: blackened steel

### DCD Torque wrench for collet nut



Part number	Series	Torque (Nm)	S1 (mm)
<b>DCD.00.003.PA045</b>	00	0.25	4.5
<b>DCD.00.003.PA050</b>			5.0
<b>DCD.00.003.PA060</b>			6.0
<b>DCD.0B.005.PA070</b>	0B	0.50	7.0
<b>DCD.0B.005.PA080</b>			8.0
<b>DCD.0E.007.PA070</b>	0E/0K	0.70	7.0
<b>DCD.0E.007.PA080</b>			8.0
<b>DCD.0S.005.PA065</b>	0S	0.50	6.5
<b>DCD.1B.015.PA090</b>	1B	1.50	9.0
<b>DCD.1E.008.PA090</b>	1E/1K	0.80	9.0
<b>DCD.1S.015.PA085</b>	1S	1.50	8.5
<b>DCD.2B.025.PA120</b>	2B	2.50	12.0
<b>DCD.2E.020.PA120</b>	2E/2K	2.00	12.0
<b>DCD.2S.025.PA110</b>	2S	2.50	11.0
<b>DCD.3B.040.PA140</b>	3B	4.00	14.0
<b>DCD.3B.040.PA150</b>			15.0
<b>DCD.3E.030.PA150</b>	3E/3K	3.00	15.0
<b>DCD.4B.070.PA200</b>	4B	7.00	20.0
<b>DCD.4E.050.PA190</b>	4E/4K	5.00	19.0

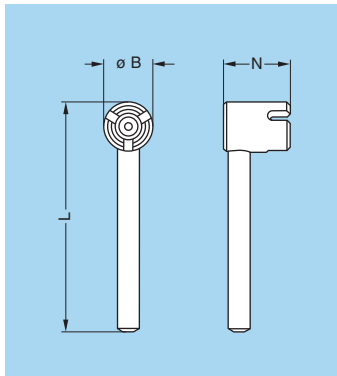
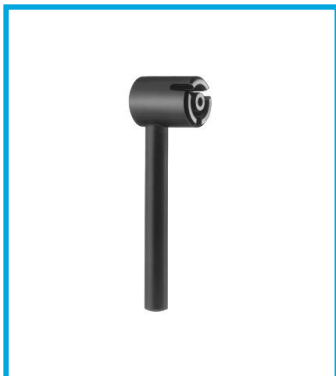
### DCL Spanners for assembling plugs with 2 latches



Part number	Series	Dimensions (mm)		
		B	L	N
<b>DCL.91.105.0TK</b>	00	10	45	13.5
<b>DCL.91.127.0TK</b>	0S	12	47	17.0
<b>DCL.91.149.0TK</b>	1S	14	52	19.0

● Material: blackened steel

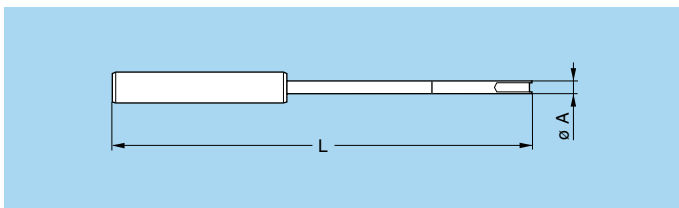
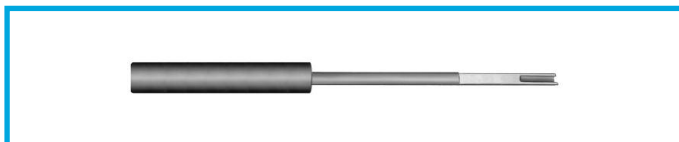
### DCN Spanners for assembling plugs with 3 latches



Part number	Series	Dimensions (mm)		
		B	L	N
<b>DCN.91.905.0TK</b>	00	9	42	12
<b>DCN.91.125.0TK</b>	0S	12	47	17
<b>DCN.91.149.0TK</b>	1S	14	53	19
<b>DCN.91.201.5TK</b>	3S	20	74	22

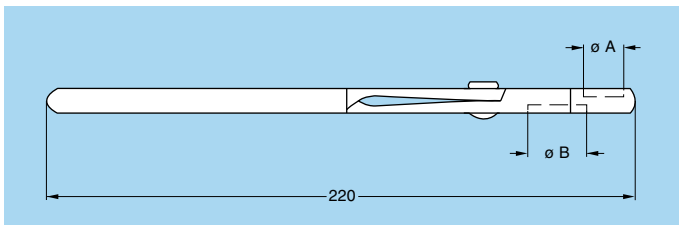
● Material: blackened steel

### DCL Assembly tool for FVB.00.303.NLA plugs

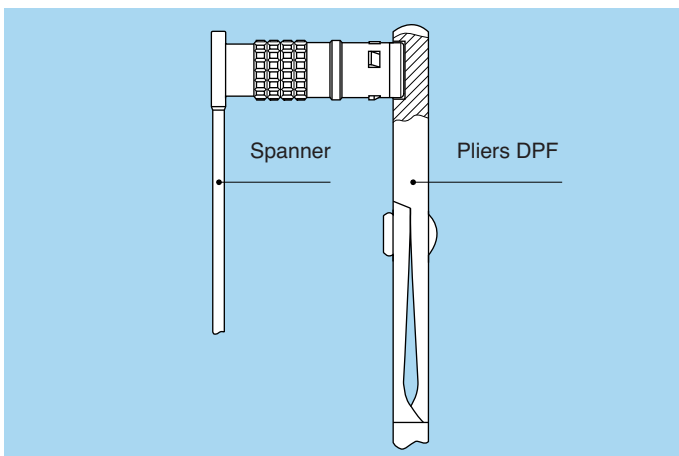


Part number	Series	Dim. (mm)	
		A	L
<b>DCL.91.516.5TK</b>	00	5	165

### DPF Pliers for assembling plugs (series K and E)



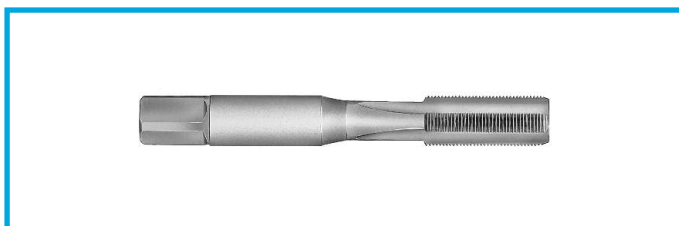
Part number	Series	Dim. (mm)	
		A	B
<b>DPF.91.001.TA</b>	0E-0K	10	–
	1E-1K	–	12
<b>DPF.91.023.TA</b>	2E-2K	15	–
	3E-3K	–	18



#### Example for use

The plug end must be held in the pliers whilst the nut is tightened with the flat spanner.

### DTA Taps



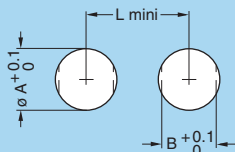
Part number	Series	Thread
<b>DTA.99.700.5Z</b>	00	M7 x 0.5
<b>DTA.99.900.6Z</b>	0S-0B	M9 x 0.6



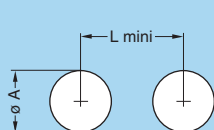


# Panel cut-outs

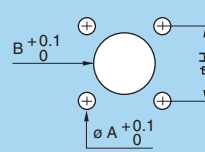
P1-P3-P4-P9



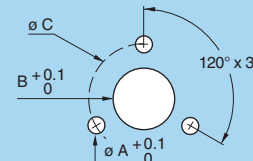
P2-P5-P10-P11



P6-P7



P8



## B and T series

Series	P1			P2		P3			P4			P5		P6			P8			P9			P10	
	ø A <sup>1)</sup>	B	L	ø A	L	ø A	B	L	ø A	B	L	ø A <sup>2)</sup>	L	ø A	B	H	ø A	B	C	ø A	B	L	ø A	L
00-TT	7.1	6.4	12.5	7.1	11.5	-	-	-	-	-	-	-	-	-	-	-	-	-	-	7.1	-	12	-	-
0B-0T	9.1	8.3	14.5	9.1	13.5	14.1	12.6	20.1	10.1	9.1	15.0	8.30	10.5	-	-	-	-	-	-	9.1	8.3	15	-	-
1B-1T	12.1	10.6	18.5	-	-	16.1	14.6	22.0	14.1	12.6	21.0	11.17	14.0	-	-	-	-	-	-	12.1	10.6	19	11.1	17
XB	14.1	12.6	21.5	-	-	-	-	-	-	-	-	-	-	-	-	-	-	-	-	-	-	-	-	-
2B-2T	15.1	13.6	22.5	-	-	19.2	17.1	28.0	16.1	15.1	23.0	13.95	18.0	-	-	-	-	-	-	15.1	13.6	23	-	-
3B-3T	18.2	16.6	27.0	-	-	-	-	-	20.2	18.6	29.5	-	-	-	-	-	-	-	-	18.2	16.6	27	-	-
4B	25.2	23.6	36.0	-	-	-	-	-	25.2	23.6	36.1	-	-	-	-	-	-	-	-	25.2	23.6	36	-	-
5B	35.2	33.6	44.0	-	-	-	-	-	35.2	33.6	47.1	-	-	3.3	35.2	34	2.8	35.2	47	35.2	33.6	47	-	-

Note: <sup>1)</sup> when using the tapered washer (GBB) a round hole apply 00-TT: ø 7.6 mm / 0B-0T: ø 9.6 mm / 1B-1T: ø 12.6 mm / 2B-2T: ø 15.7 mm / 3B-3T: ø 18.8 mm / 4B: ø 26 mm / 5B: ø 36 mm (tolerance: 0/+0.02). <sup>2)</sup> tolerance: 0/+0.02

## Cut-out types

Model	Type	Model	Type	Model	Type	Model	Type	Model	Type
ECG	P1	EKG	P1	FAG	P1	HMG	P9	S●●	P4/P9 <sup>3)</sup>
EEG	P1	ENG	P1	FWG	P9	HNG	P9	XBG	P2
EGG	P1	ENY	P1	HCG	P3	PEG	P1	XPF	P2
EFG	P2	ESG	P1/P2	HEG	P9	PFG	P1	XRБ	P2
EHG	P1	EXG	P2/P10	HGG	P9	PKG	P1	YHG	P9
EJG	P5	EYG	P1/P10	HHG	P9	R●●	P4		

Note: <sup>3)</sup> in series 1B use P9.

## Mounting nut torque

Series	Torque (Nm)	
	Metal shell	Plastic shell <sup>4)</sup>
00-TT	1.0	0.4
0B-0T	2.5	0.4
1B-1T	4.5	0.7
XB	5.0	-
2B-2T	6.0	0.8
3B-3T	9.0	1.0
4B	12.0	5.0
5B	17.0	-

Note: <sup>4)</sup> these values apply when metal shell are mounted with insulating washer.

## S series

Series	P1			P2		P3			P4			P5		P6			P7			P10		P11	
	ø A <sup>1)</sup>	B	L	ø A	L	ø A	B	L	ø A	B	L	ø A <sup>2)</sup>	L	ø A	B	H	ø A	B	H	ø A	L	ø A	L
<b>00</b>	7.1	6.4	12.5	7.1	11.5	-	-	-	-	-	-	-	-	-	-	-	-	-	-	-	-	-	-
<b>0S</b>	9.1	8.3	14.5	9.1	13.5	12.1	10.6	20.0	10.1	9.1	15	-	-	-	-	-	-	-	-	-	-	9.1	16
<b>1S</b>	12.1	10.6	18.5	12.1	19.0	14.1	12.6	21.0	12.1	10.6	18	11.92	15.5	3.3	12.1	12.7	2.7	11.1	12.4	11.1	17	12.1	19
<b>2S</b>	15.1	13.6	22.5	15.1	21.5	16.1	14.6	22.0	16.1	15.1	23	-	-	3.3	15.1	15.5	-	-	-	-	-	-	-
<b>3S</b>	18.2	16.6	27.0	18.2	27.0	20.2	18.6	30.0	20.2	18.6	29	-	-	3.3	18.2	18.0	-	-	-	-	-	-	-
<b>4S</b>	25.2	23.6	36.0	25.2	34.0	25.2	23.6	36.0	25.2	23.6	36	-	-	-	-	-	-	-	-	-	-	-	-
<b>5S</b>	35.2	33.6	44.0	35.2	44.0	35.2	33.6	47.0	35.2	33.6	47	-	-	4.4	35.2	36.8	-	-	-	-	-	-	-
<b>6S</b>	48.3	45.6	58.0	48.3	58.0	48.3	45.6	60.0	48.3	45.6	60	-	-	-	-	-	-	-	-	-	-	-	-

**Note:** <sup>1)</sup> when using the tapered washer (GBB) a round hole apply 00: ø 7.6 mm / 0S: ø 9.6 mm / 1S: ø 12.6 mm / 2S: ø 15.7 mm / 3S: ø 18.8 mm / 4S: ø 26 mm / 5S: ø 36 mm (tolerance: 0/+0.02). <sup>2)</sup> tolerance: 0/+0.02

## Cut-out types

Model	Type	Model	Type	Model	Type	Model	Type
EBC	P6	ERA	P1	EWB	P3	PSP	P1
EBD	P6	ERC	P1	FAA	P1/P2 <sup>3)</sup>	PSS	P1
EBS	P7	ERD	P1	HCP	P3 <sup>4)</sup>	RAD	P1/P2 <sup>5)</sup>
ECP	P1	ERN	P1	HGP	P3	SWH	P4
EEP	P1	ERS	P2	HGW	P11		
EHP	P2/P1	EXP	P2/P10	PSA	P1		

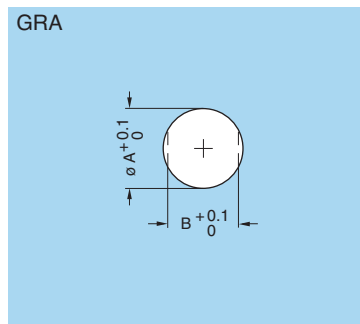
**Note:** <sup>3)</sup> in series 6S use P2. <sup>4)</sup> use only ø A in 1S series. <sup>5)</sup> in series 4S and 5S use P2.

## Mounting nut torque

Series	Torque (Nm)	
	Metal shell	Plastic shell <sup>6)</sup>
<b>0S</b>	2.5	0.4
<b>1S</b>	4.5	0.7
<b>2S</b>	6.0	0.8
<b>3S</b>	9.0	1.0
<b>4S</b>	12.0	5.0
<b>5S</b>	17.0	-
<b>6S</b>	22.0	-

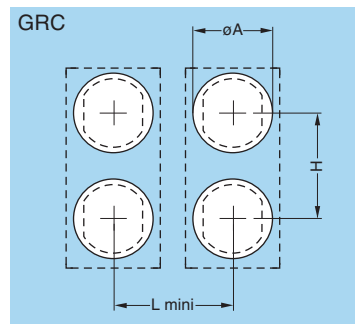
**Note:** <sup>6)</sup> these values apply when metal shell are mounted with insulating washer. 1 N = 0.102 kg

## Panel cut-out for mounting with insulating washer (S-B series)



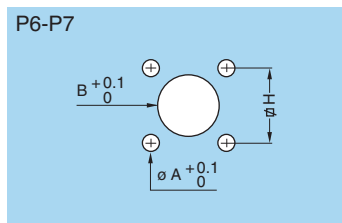
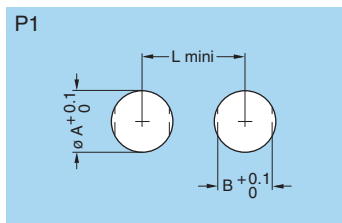
Series	Dim. (mm)	
	ø A	B
<b>00</b>	8.9	8.1
<b>0S-0B</b>	10.9	10.0
<b>1S-1B</b>	13.9	12.3
<b>2S-2B</b>	18.0	16.3
<b>3S-3B</b>	21.9	20.3
<b>4S-4B</b>	29.1	27.4

## Panel cut-out for mounting with double panel washer (S-B series)



Series	Dimensions (mm)		
	ø A	H	L
<b>0S-0B</b>	11	14	13.5
<b>1S-1B</b>	14	20	17.0

**Note:** for nut tightening torques please refer to the corresponding series in the table on page 157.



### K series

Series	P1			P6			P7		
	$\varnothing A$	B	L	$\varnothing A$	B	H	$\varnothing A$	B	H
0K	14.1	12.6	20.5	-	-	-	-	-	-
1K	16.1	14.6	22.5	-	-	-	-	-	-
2K	20.2	18.6	29.0	-	-	-	-	-	-
3K	24.2	22.6	35.5	3.5	22.6	20.6	3.5	23.1	23.0
4K	30.2	28.6	43.0	3.5	28.6	27.0	3.5	30.1	29.0
5K	45.2	42.6	57.0	4.5	42.6	38.0	4.5	45.1	44.0

### Mounting nut torque

Series	Torque (Nm)
0K	5
1K	7
2K	9
3K	12
4K	17
5K	22

1 N = 0.102 kg

### Cut-out types

Model	Type	Model	Type	Model	Type
EBG	P7	ENG	P1	HGG	P1
EDG	P7 <sup>2)</sup>	EVG	P1	PBG	P7 <sup>3)</sup>
EEG	P1	FAG	P1	PEG	P1
EGG	P1	FXG	P6	PKG	P1
EHG	P1	HEG	P1	S●●	P1

Note: <sup>2)</sup> for this model dimension B = 18.1. <sup>3)</sup> for this model dimension B = 19.1.

### E series

Series	P1			P6		
	$\varnothing A$	B	L	$\varnothing A$	B	H
0E	14.1	12.6	20.5	-	-	-
1E	16.1	14.6	22.5	-	-	-
2E	20.2	18.6	29.0	2.9	15.1	11.8x20.4
3E	24.2	22.6	35.5	-	-	-
4E	30.2	28.6	43.0	-	-	-
5E	45.2	42.6	57.0	-	-	-
6E	55.3	52.1	68.0	-	-	-

### Mounting nut torque

Series	Torque (Nm)
0E	5
1E	7
2E	9
3E	12
4E	17
5E	22
6E	27

1 N = 0.102 kg

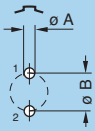
### Cut-out types E series

Model	Type	Model	Type
EBR	P6	FAA	P1
EEP	P1	HGP	P1
EHP	P1	PSA	P1
ERA	P1	PSP	P1
ERB	P1	SWH	P1
ERC	P1		

## PCB drilling pattern

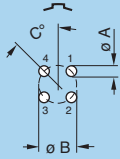
### Fixed socket with straight print contact (B-K-T series) P15

302



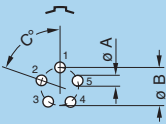
Series	Dimensions	
	A	B
<b>00-TT</b>	0.6	1.2
<b>0B-0K-0T</b>	0.8	2.2
<b>1B-1K-1T</b>	0.8	2.8
<b>2B-2K-2T</b>	0.8	4.4

304



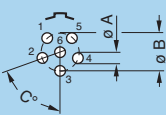
Series	Dimensions		
	A	B	C
<b>00-TT</b>	0.6	1.6	45°
<b>0B-0K-0T</b>	0.6	2.5	45°
<b>1B-1K-1T</b>	0.8	3.1	45°
<b>2B-2K-2T</b>	0.8	5.0	45°
<b>3B-3K-3T</b>	0.8	6.2	45°

305



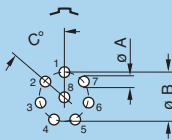
Series	Dimensions		
	A	B	C
<b>0B-0K-0T</b>	0.6	2.8	72°
<b>1B-1K-1T</b>	0.8	3.4	72°
<b>2B-2K-2T</b>	0.8	5.2	72°
<b>3B-3K-3T</b>	0.8	6.7	72°

306



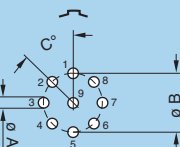
Series	Dimensions		
	A	B	C
<b>2B-2K-2T</b>	0.8	5.6	72°
<b>3B-3K-3T</b>	0.8	7.1	72°

308



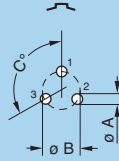
Series	Dimensions		
	A	B	C
<b>1B-1K-1T</b>	0.8	3.8	51°26'

309



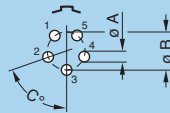
Series	Dimensions		
	A	B	C
<b>0B-0K-0T</b>	0.6	3.2	45°
<b>3B-3K-3T</b>	0.8	7.5	45°

303



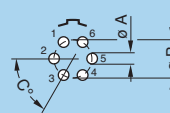
Series	Dimensions		
	A	B	C
<b>00-TT</b>	0.6	1.35	120°
<b>0B-0K-0T</b>	0.8	2.30	120°
<b>1B-1K-1T</b>	0.8	3.00	120°
<b>2B-2K-2T</b>	0.8	4.60	120°
<b>3B-3K-3T</b>	0.8	5.60	120°

305



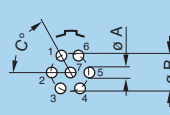
Series	Dimensions		
	A	B	C
<b>00-TT</b>	0.5	1.7	72°

306



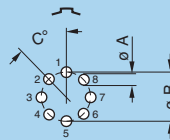
Series	Dimensions		
	A	B	C
<b>0B-0K-0T</b>	0.6	3.0	60°
<b>1B-1K-1T</b>	0.8	3.7	60°

307



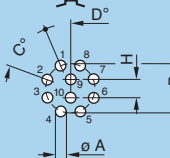
Series	Dimensions		
	A	B	C
<b>0B-0K-0T</b>	0.6	3.00	60°
<b>1B-1K-1T</b>	0.8	3.70	60°
<b>2B-2K-2T</b>	0.8	5.80	60°
<b>3B-3K-3T</b>	0.8	7.08	60°

308

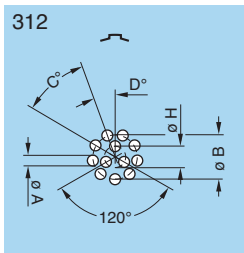


Series	Dimensions		
	A	B	C
<b>2B-2K-2T</b>	0.8	6.4	45°
<b>3B-3K-3T</b>	0.8	7.5	45°

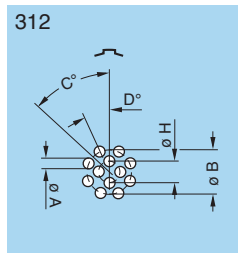
310



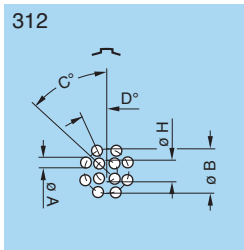
Series	Dimensions				
	A	B	C	D	H
<b>1B-1K-1T</b>	0.6	3.95	45°	22°30'	1.40
<b>2B-2K-2T</b>	0.8	6.30	45°	22°30'	2.15
<b>3B-3K-3T</b>	0.8	7.90	45°	22°30'	2.80



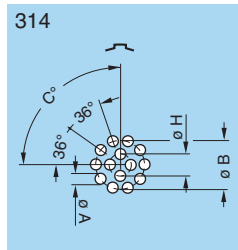
Series	Dimensions				
	A	B	C	D	H
<b>0B-0T</b>	0.5	3.3	40°	20°	1.25



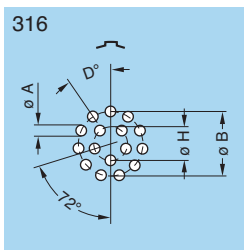
Series	Dimensions				
	A	B	C	D	H
<b>XB</b>	0.8	5.40	45°	22°30'	2.40



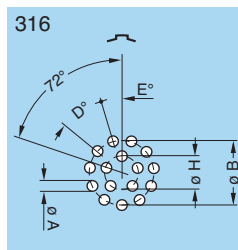
Series	Dimensions				
	A	B	C	D	H
<b>2B-2K-2T</b>	0.8	6.50	45°	22°30'	2.80
<b>3B-3K-3T</b>	0.8	8.20	45°	22°30'	3.40



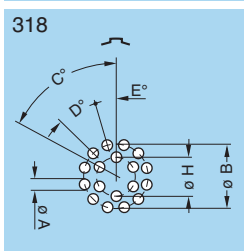
Series	Dimensions			
	A	B	C	H
<b>1B-1K-1T</b>	0.6	4.4	90°	1.90
<b>2B-2K-2T</b>	0.8	6.5	90°	2.65
<b>3B-3K-3T</b>	0.8	8.2	90°	3.40



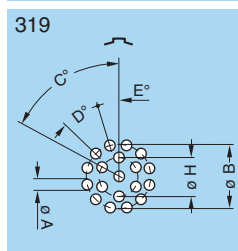
Series	Dimensions			
	A	B	D	H
<b>1B-1K-1T</b>	0.6	4.4	32°44'	2.00



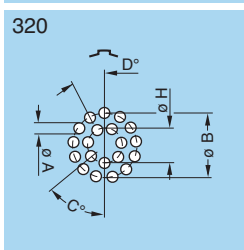
Series	Dimensions				
	A	B	D	E	H
<b>2B-2K-2T</b>	0.8	6.6	32°44'	16°22'	3.10
<b>3B-3K-3T</b>	0.8	8.4	32°44'	16°22'	3.86
<b>4B-4K</b>	0.6	10.5	32°44'	16°22'	5.00



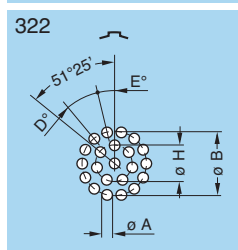
Series	Dimensions					
	A	B	C	D	E	H
<b>2B-2K-2T</b>	0.8	6.7	60°	30°	15°	3.50
<b>3B-3K-3T</b>	0.8	8.4	60°	30°	15°	4.34



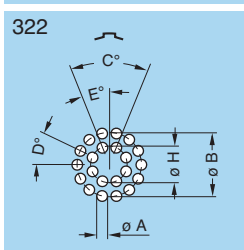
Series	Dimensions					
	A	B	C	D	E	H
<b>2B-2K-2T</b>	0.8	6.7	60°	30°	15°	3.5



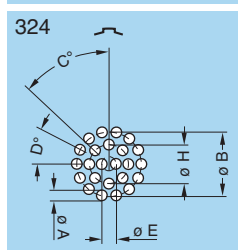
Series	Dimensions				
	A	B	C	D	H
<b>3B-3K-3T</b>	0.6	8.62	51°26'	27°42'	4.78
<b>4B-4K</b>	0.6	11.00	51°26'	27°42'	6.00



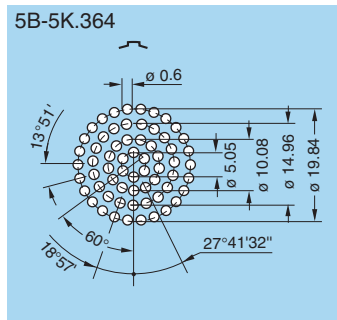
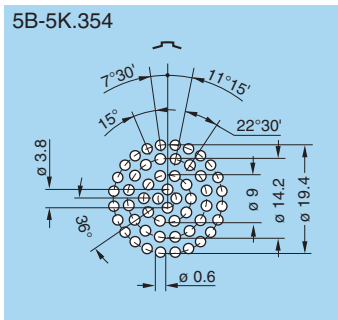
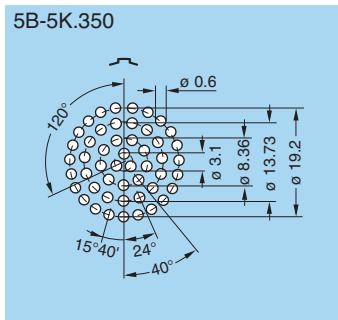
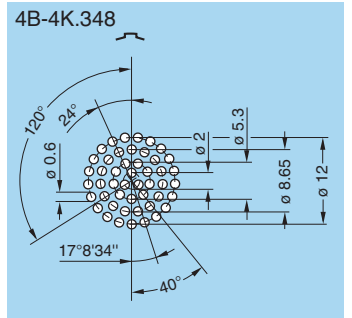
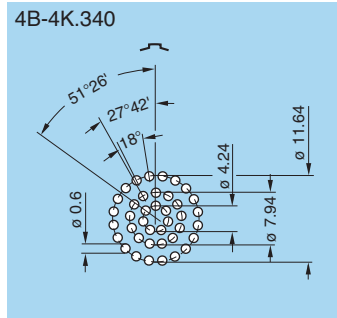
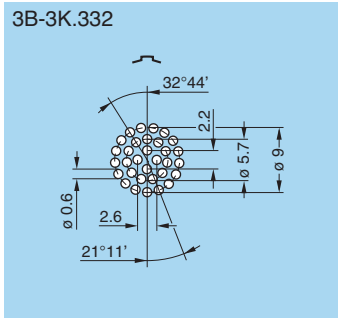
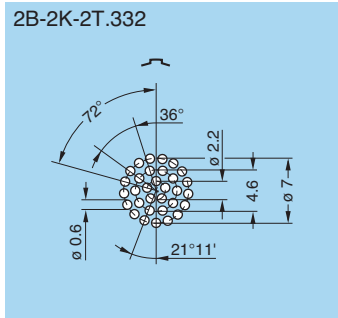
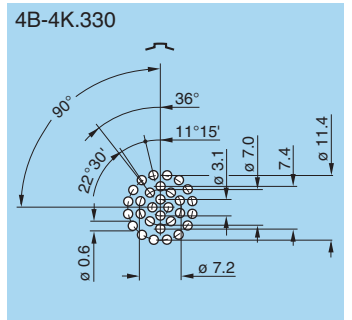
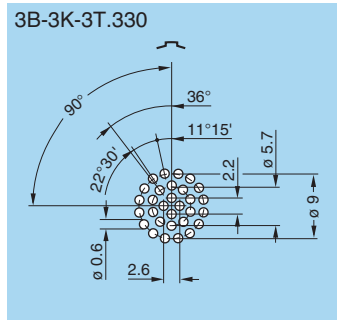
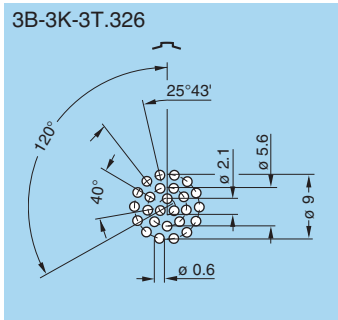
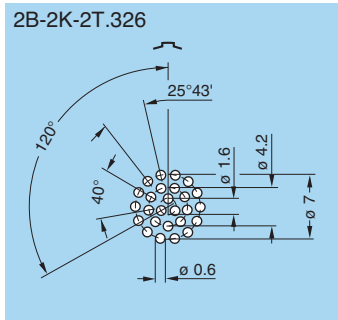
Series	Dimensions				
	A	B	D	E	H
<b>XB</b>	0.6	5.7	25°42'	12°51'	3.1



Series	Dimensions					
	A	B	C	D	E	H
<b>3B-3K-3T</b>	0.6	8.8	45°	25°43'	22°30'	5



Series	Dimensions					
	A	B	C	D	E	H
<b>3B-3K-3T</b>	0.6	8.8	45°	25°43'	1.8	5.30
<b>4B-4K</b>	0.6	11.1	45°	25°43'	2.2	6.65



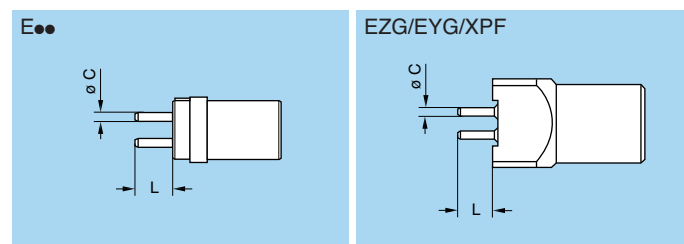
**Note:** all views are from the side of the socket.

### Length of straight print contacts (for socket E●●)

	Type	Dimensions	
		ø C	L
<b>00</b> <b>TT</b>	302/303/304	0.5	3.0
<b>0B</b> <b>0K</b> <b>0T</b>	302/303	0.7	3.2
	304/305/306/307/309	0.5	3.2
	312	0.4	3.0
<b>1B</b> <b>1K</b> <b>1T</b>	302/303/304/305/306/307/308	0.7	3.0
	310/314/316	0.5	4.0
<b>XB</b>	312	0.7	3.0
	322	0.5	3.0
<b>2B</b> <b>2K</b> <b>2T</b>	302/303/304/305/306/307 308/310/312/314/316/318/319	0.7	3.0
	326/332	0.5	3.0
<b>3B</b> <b>3K</b> <b>3T</b>	303/304/305/306/307/308/309 310/312/314/316/318	0.7	3.0
	320/322/324/326/330/332	0.5	5.0
<b>4B</b> <b>4K</b>	316/320/324/330/340/348	0.5	5.0
<b>5B</b> <b>5K</b>	348	0.7	5.0
	350/354/364	0.5	5.0

### Length of straight print contacts (for socket EZG/EYG/XPF)

	Type	Models			
		EZG/EYG		XPF	
		ø C	L	ø C	L
<b>0B</b>	302/303	0.7	4.5	–	–
	304/305	0.5	4.5	0.7	3.0
	306/307/309	0.5	3.0	–	–
<b>1B</b>	302/303/304/305/306/307/308	0.7	3.8	–	–
	310/314/316	0.5	3.8	–	–
<b>2B</b>	302/303/304/305/306/307/308 310/312/314/316/318/319	0.7	5.5	–	–



**Note:** This table does not apply for socket H●●; socket EH● and plugs FA●/FW●.

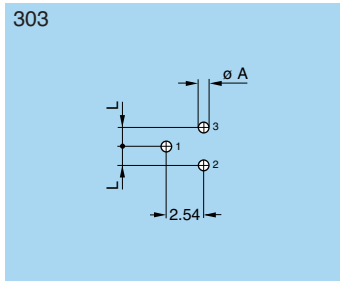
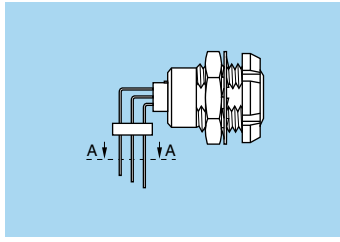
### Fixed socket for printed circuit (B series) P16

Holes for fixing the housing

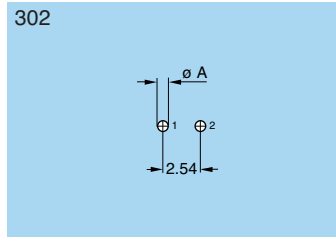
EYG-EZG	Series	Dimensions	
		A	B
	<b>00</b>	0.8 <sup>1)</sup>	5.08
	<b>0B</b>	1.7 <sup>2)</sup>	7.62
	<b>1B</b>	1.7 <sup>2)</sup>	7.62
	<b>2B</b>	1.7 <sup>2)</sup>	10.16

XPF.0B	Series	Dimensions	
		A	B
	<b>0B</b>	1.7	5.08

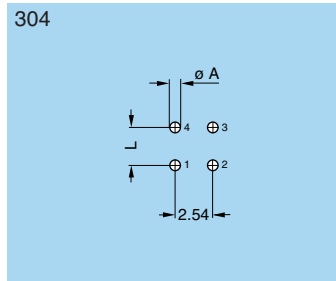
**Note:** Mounting torque for screws: 0.1 Nm. <sup>1)</sup> to solder. <sup>2)</sup> to screw.

**Fixed socket with elbow print contact (B-K-T series) P17**


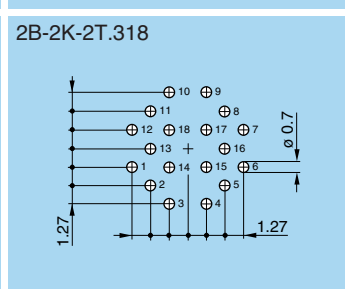
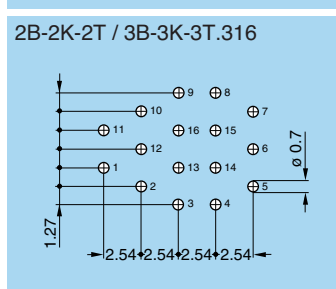
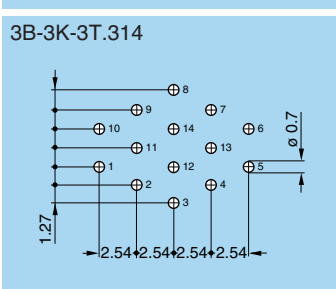
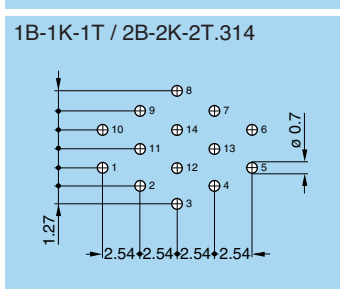
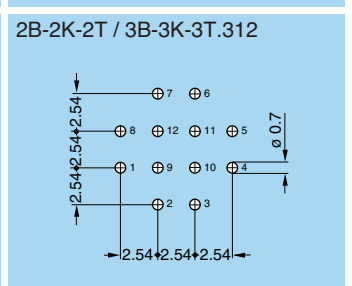
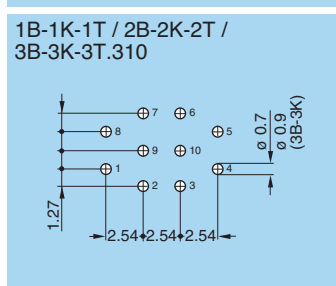
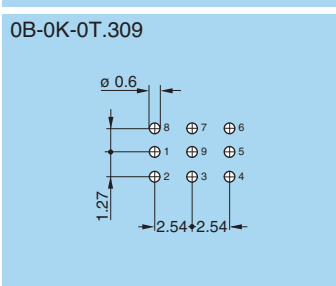
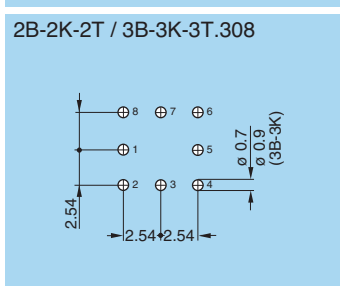
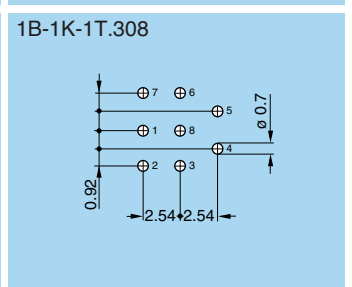
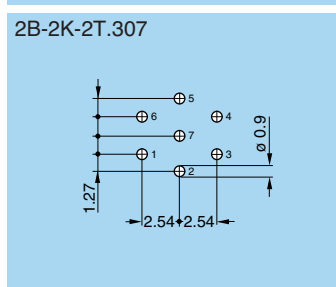
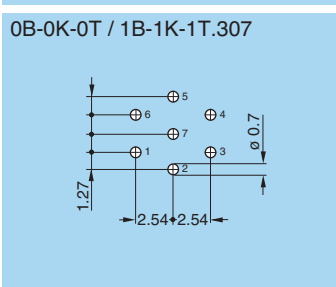
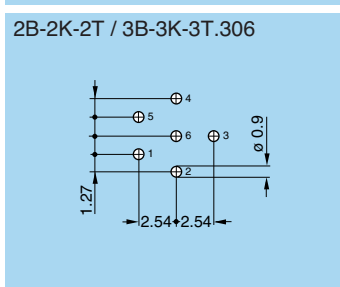
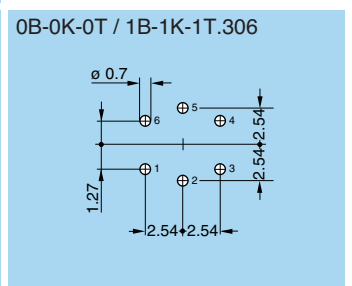
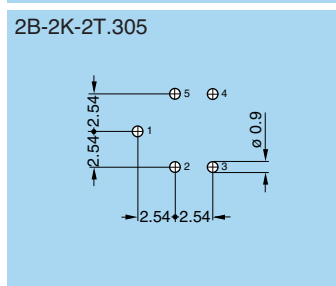
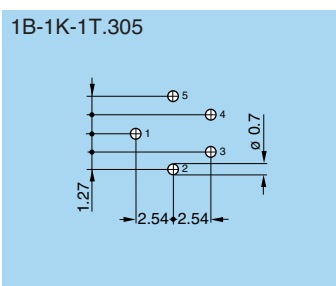
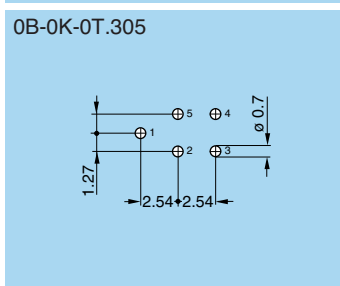
Series	Dimensions	
	A	L
00-TT	0.6	1.27
0B-0K-0T	0.7	1.27
1B-1K-1T	0.9	1.27
2B-2K-2T	0.9	2.54



Series	Dim.
	A
00-TT	0.6
0B-0K-0T	0.7
1B-1K-1T	0.9
2B-2K-2T	0.9



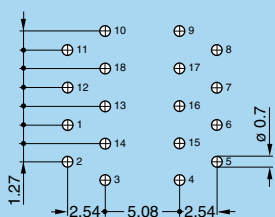
Series	Dimensions	
	A	L
00-TT	0.6	2.54
0B-0K-0T	0.7	2.54
1B-1K-1T	0.7	2.54
2B-2K-2T	0.9	3.50
3B-3K-3T	0.9	2.54



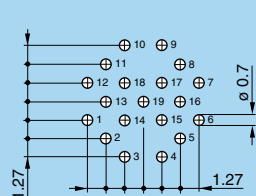


## Fixed socket with elbow print contact (B-K-T series) P17

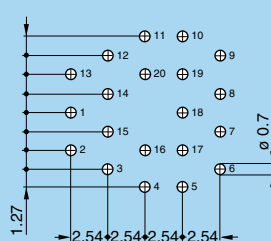
3B-3K-3T.318



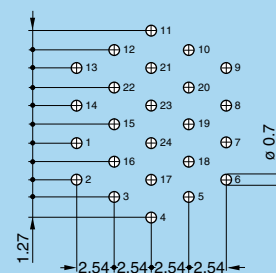
2B-2K-2T.319



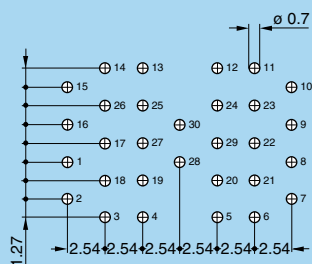
3B-3K-3T.320



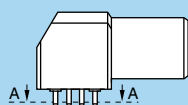
3B-3K-3T.324



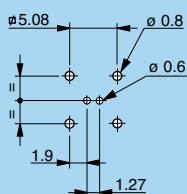
3B-3K-3T.330



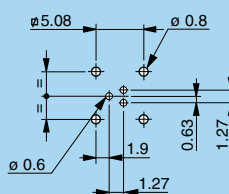
## Elbow socket (90°) for printed circuit (B series) P18 P19 P20



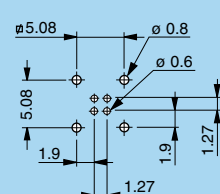
**P18 - EPG.00.302 - XBG.00.302**  
XRB.00.302<sup>1)</sup>



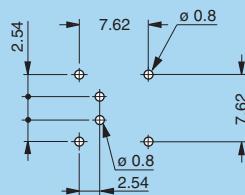
**P18 - EPG.00.303<sup>2)</sup> - XBG.00.303<sup>2)</sup>**  
XRB.00.303<sup>1)</sup>



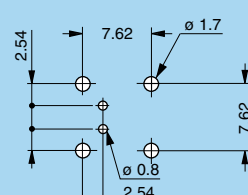
**P18 - EPG.00.304 - XBG.00.304**  
XRB.00.304<sup>1)</sup>



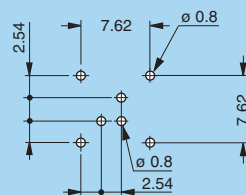
**P19 - EPG-EXG (0B/1B.302)**  
Solder mount



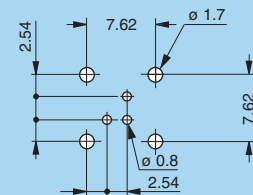
**P19 - EPG-EXG (0B/1B.302)**  
Screw mount



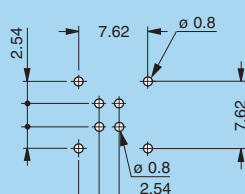
**P19 - EPG-EXG (0B/1B.303)**  
Solder mount



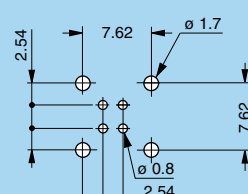
**P19 - EPG-EXG (0B/1B.303)**  
Screw mount



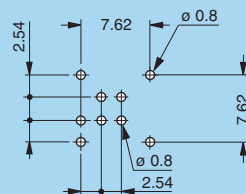
**P19 - EPG-EXG (0B/1B.304)**  
Solder mount



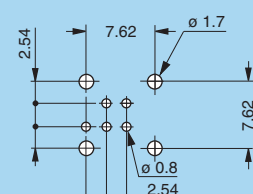
**P19 - EPG-EXG (0B/1B.304)**  
Screw mount



**P19 - EPG-EXG (0B/1B.305)**  
Solder mount



**P19 - EPG-EXG (0B/1B.305)**  
Screw mount

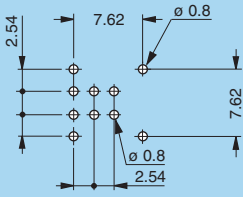


**Note:** <sup>1)</sup> for the XRB.00 series the holes for shell fixing are different (see p. 35).

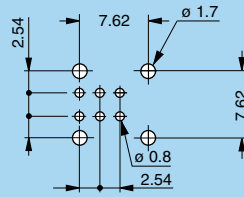
<sup>2)</sup> the dimensions for the EPG.00.303.HLN and XBG.00.303.HLN models are given on page 26. For other models please contact factory.

## Elbow socket (90°) for printed circuit (B series) P18 P19 P20

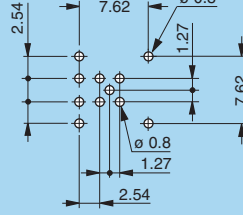
**P19 - EPG-EXG (0B/1B.306)**  
Solder mount



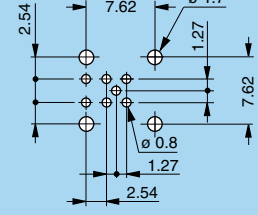
**P19 - EPG-EXG (0B/1B.306)**  
Screw mount



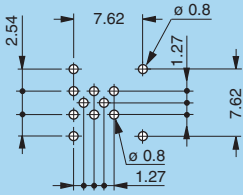
**P19 - EPG-EXG (0B/1B.307)**  
Solder mount



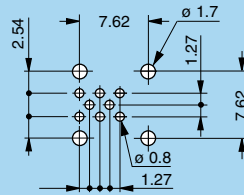
**P19 - EPG-EXG (0B/1B.307)**  
Screw mount



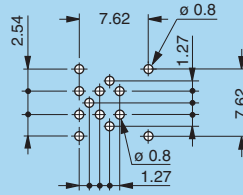
**P19 - EPG-EXG (1B.308)**  
Solder mount



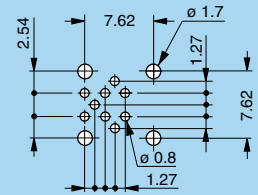
**P19 - EPG-EXG (1B.308)**  
Screw mount



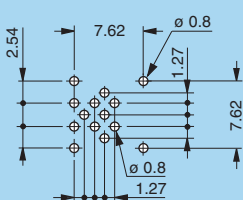
**P19 - EPG-EXG (0B.309)**  
Solder mount



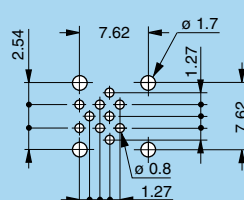
**P19 - EPG-EXG (0B.309)**  
Screw mount



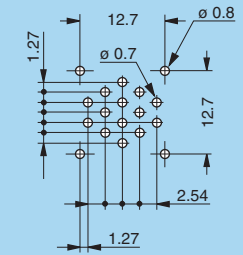
**P19 - EPG-EXG (1B.310)**  
Solder mount



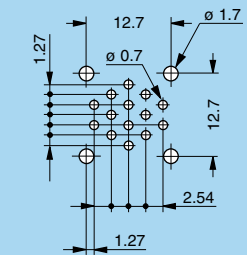
**P19 - EPG-EXG (1B.310)**  
Screw mount



**P20 - EPG.1B.314**  
Solder mount



**P20 - EPG.1B.314**  
Screw mount

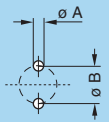


**Note:** <sup>1)</sup> for the XRB.00 series the holes for shell fixing are different (see p. 35).

<sup>2)</sup> the dimensions for the EPG.00.303.HLN and XBG.00.303.HLN models are given on page 26. For other models please contact factory.

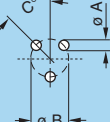
## Fixed socket with straight print contact (S-E series) P21

302



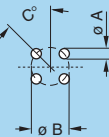
Series	Dimensions	
	A	B
<b>0S-0E</b>	0.8	2.2
<b>1S-1E</b>	0.8	3.0
<b>2S-2E</b>	0.8	4.5

303



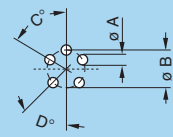
Series	Dimensions		
	A	B	C
<b>0S-0E</b>	0.6	2.8	45°
<b>1S-1E</b>	0.8	3.5	45°
<b>2S-2E</b>	0.8	5.5	60°

304



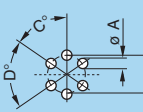
Series	Dimensions		
	A	B	C
<b>0S-0E</b>	0.6	2.8	45°
<b>1S-1E</b>	0.8	3.5	45°
<b>2S-2E</b>	0.8	5.0	45°

305



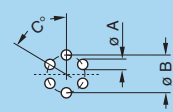
Series	Dimensions			
	A	B	C	D
<b>1S-1E</b>	0.8	3.5	60°	45°
<b>2S-2E</b>	0.8	5.5	60°	60°

306



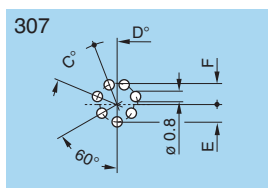
Series	Dimensions			
	A	B	C	D
<b>0S-0E</b>	0.6	3	55°	70°

306

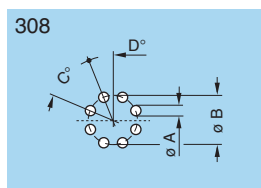


Series	Dimensions		
	A	B	C
<b>1S-1E</b>	0.8	3.5	60°
<b>2S-2E</b>	0.8	5.5	60°
<b>3S-3E</b>	0.8	6.5	60°

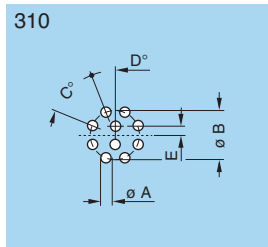
## Fixed socket with straight print contact (S-E series) P21



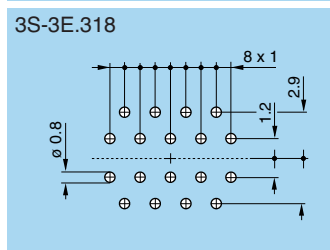
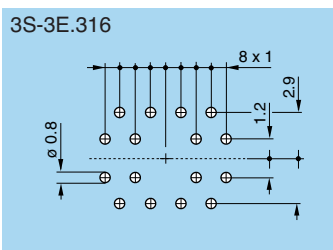
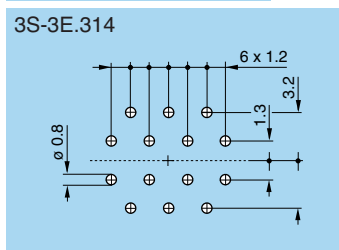
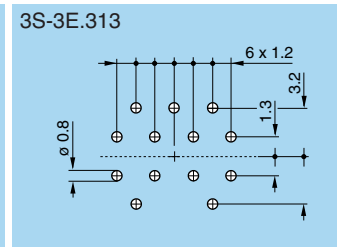
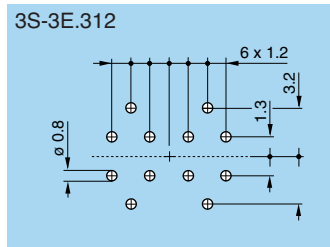
Series	Dimensions			
	C	D	E	F
<b>2S-2E</b>	45°	22°30'	2.75	3.25
<b>3S-3E</b>	45°	22°30'	3.25	3.90



Series	Dimensions			
	A	B	C	D
<b>2S-2E</b>	0.8	6.5	45°	22°30'
<b>3S-3E</b>	0.8	7.8	45°	22°30'

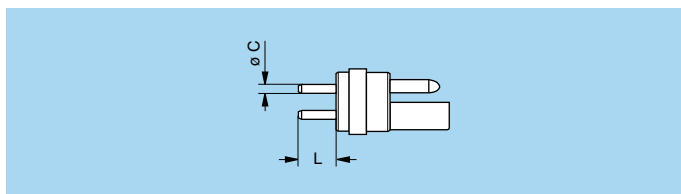


Series	Dimensions				
	A	B	C	D	E
<b>2S-2E</b>	0.8	6.5	45°	22°30'	1.25
<b>3S-3E</b>	0.8	7.8	45°	22°30'	1.50



Note: all views are from the side of the socket.

## Length of straight print contacts (for socket E●●)



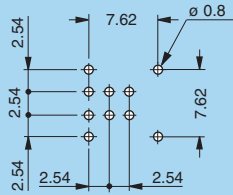
	Type	Dimensions	
		ø C	L
<b>0S</b> <b>0E</b>	<b>302</b>	0.7	3.0
	<b>303/304/306</b>	0.5	3.0
<b>1S</b> <b>1E</b>	<b>302</b>	0.7/1.5	3.0/5.0
	<b>303/304/305</b>	0.7	3.0
	<b>305/306</b>	0.5	3.0

	Type	Dimensions	
		ø C	L
<b>2S</b> <b>2E</b>	<b>303/304/305/306/307/308/310</b>	0.7	3.0
<b>3S</b> <b>3E</b>	<b>305/306/307/308/310</b> <b>312/313/314/316/318</b>	0.7	3.0

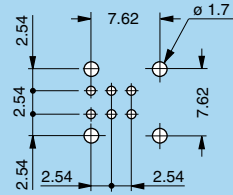
Note: This table does not apply for HGP and EHP sockets and for FAA plugs.

## Elbow socket (90°) for printed circuit (S series) P22 P23

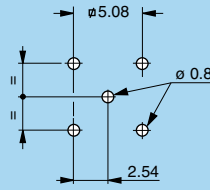
**P22 - EPL - EXP**  
Solder mount



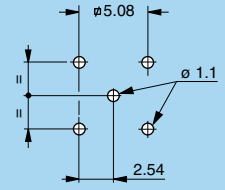
**P22 - EPL - EXP**  
Screw mount



**P23 - EPL.00.113**

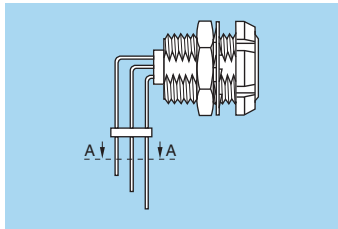


**P23 - EPL.0S.116**

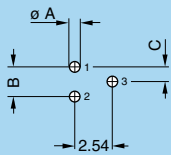


**Note:** all dimensions are in millimetres.

## Fixed socket with elbow print contact (S-E series) P24

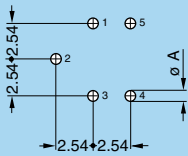


**303**



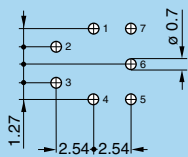
Series	Dimensions		
	A	B	C
<b>0S-0E</b>	0.7	2.00	1.00
<b>1S-1E</b>	0.7	2.48	1.24

**305**

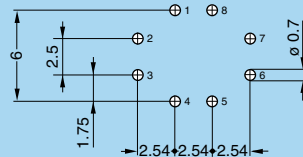


Series	Dim.
	A
<b>1S-1E</b>	0.7
<b>2S-2E</b>	0.9

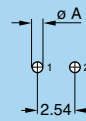
**2S-2E.307**



**2S-2E.308**

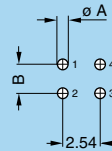


**302**



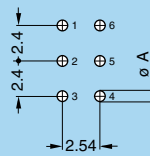
Series	Dim.
	A
<b>0S-0E</b>	0.7
<b>1S-1E</b>	0.9

**304**



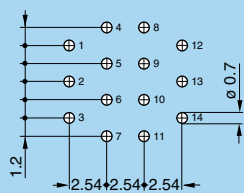
Series	Dimensions	
	A	B
<b>0S-0E</b>	0.7	2.0
<b>1S-1E</b>	0.7	3.5
<b>2S-2E</b>	0.9	3.5

**306**

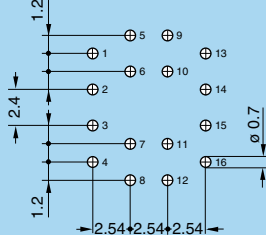


Series	Dim.
	A
<b>1S-1E</b>	0.7
<b>2S-2E</b>	0.9

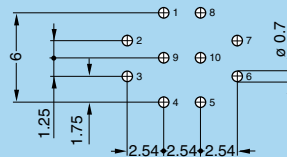
**3S-3E.314**



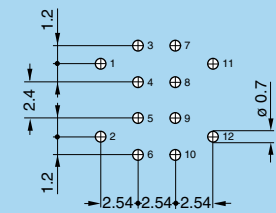
**3S-3E.316**



**2S-2E / 3S-3E.310**



**3S-3E.312**



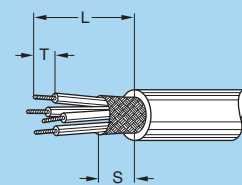
## Cable assembly (B, K, T, S and E series)

### Cable stripping lengths (B series)

**M1** straight plugs and sockets with cable collet, clamping type D or M (solder or crimp contacts)

**M3** elbow plugs (90°) with cable collet, clamping type D or M (solder or crimp contacts)

	Type	ø contact A (mm)	Cable stripping lengths (mm)											
			M1						M3					
			Solder			Crimp			Solder			Crimp		
			L	S	T	L	S	T	L	S	T	L	S	T
<b>00</b>	302/303/304	0.5	7.0	4	2.5	10.0	4	3.0	9.5	4	2.5	12.5	4	3.0
	305/306	0.35	7.0	4	2.5	–	–	–	9.5	4	2.5	–	–	–
<b>0B<sup>1)</sup></b>	302/303	0.9	14.5	7	3.5	17.0	7	4.0	19.5	7	3.5	22.0	7	4.0
	304/305	0.7	14.5	7	3.5	17.0	7	4.0	19.5	7	3.5	22.0	7	4.0
	306/307/309 <sup>2)</sup>	0.5	14.0	7	2.5	18.0	7	3.0	19.0	7	2.5	23.0	7	3.0
	312	0.35	14.0	7	2.5	–	–	–	19.0	7	2.5	–	–	–
<b>1B<sup>1)</sup></b>	302/303	1.3	14.5	8	3.5	18.0	8	4.0	25.5	8	3.5	28.0	8	4.0
	304/305	0.9	14.5	8	3.0	18.0	8	4.0	25.5	8	3.0	28.0	8	4.0
	306/307/308	0.7	14.5	8	3.0	18.0	8	4.0	25.5	8	3.0	28.0	8	4.0
	310/314/316	0.5	16.5	8	2.5	–	–	–	27.5	8	2.5	–	–	–
<b>XB</b>	312	0.7	16.5	7.5	3.5	–	–	–	–	–	–	–	–	–
	322	0.5	17.5	8	4.0	–	–	–	–	–	–	–	–	–
<b>2B</b>	302	2.0	19.0	9	4.0	22.0	9	5.5	30.0	9	4.0	33.0	9	5.5
	303	1.6	19.0	9	3.5	22.0	9	5.5	30.0	9	3.5	33.0	9	5.5
	304/305/306/307	1.3	18.0	9	3.5	20.0	9	4.0	29.0	9	3.5	31.0	9	4.0
	308/310	0.9	17.0	9	3.0	20.0	9	4.0	28.0	9	3.0	31.0	9	4.0
	312/314/316/318/319	0.7	17.0	9	3.0	20.0	9	4.0	28.0	9	3.0	31.0	9	4.0
	326/332	0.5	17.0	9	2.5	–	–	–	28.0	9	2.5	–	–	–
<b>3B</b>	302	3.0	24.0	10	4.5	28.0	10	5.5	35.0	10	4.5	39.0	10	5.5
	303/304	2.0	23.0	10	4.0	27.0	10	5.5	34.0	10	4.0	38.0	10	5.5
	305/306/307	1.6	23.0	10	3.5	27.0	10	5.5	34.0	10	3.5	38.0	10	5.5
	308/310	1.3	22.0	10	3.5	25.0	10	4.0	33.0	10	3.5	36.0	10	4.0
	309	1.3 2.0	22.0	10	3.5 4.0	25.0	10	4.0 5.5	33.0	10	3.5 4.0	36.0	10	4.0 5.5
	312/314/316/318	0.9	21.0	10	3.0	25.0	10	4.0	32.0	10	3.0	36.0	10	4.0
	320/322/324/326/330/332	0.7	21.0	10	3.0	25.0	10	4.0	32.0	10	3.0	36.0	10	4.0



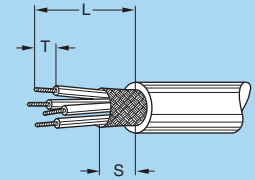
**Note:** <sup>1)</sup> In 0B and 1B series, «L» and «S» dimensions shall be increased by 2 mm for the largest collet (D56 in 0B series; D76 in 1B series). The tolerances on these dimensions are: L: ± 0.5 mm; S: ± 0.5 mm; T: ± 0.2 mm.

## Cable stripping lengths (B series)

**M1** straight plugs and sockets with cable collet, clamping type D or M (solder or crimp contacts)

**M3** elbow plugs (90°) with cable collet, clamping type D or M (solder or crimp contacts)

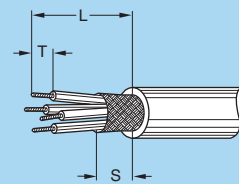
	Type	ø contact A (mm)	Cable stripping lengths (mm)											
			M1						M3					
			Solder			Crimp			Solder			Crimp		
			L	S	T	L	S	T	L	S	T	L	S	T
<b>4B</b>	<b>304</b>	3.0	33.0	12	4.5	36.0	12	5.5	41.0	12	4.5	45.0	12	5.5
	<b>306/307</b>	2.0	32.0	12	4.0	36.0	12	5.5	41.0	12	4.0	45.0	12	5.5
	<b>310</b>	1.6	32.0	12	3.5	36.0	12	5.5	39.0	12	3.5	43.0	12	5.5
	<b>312</b>	1.3	32.0	12	3.5	36.0	12	4.0	39.0	12	3.5	43.0	12	4.0
	<b>316/320/324/330</b>	0.9	32.0	12	3.0	34.0	12	4.0	39.0	12	3.0	43.0	12	4.0
	<b>340/348</b>	0.7	32.0	12	3.0	34.0	12	4.0	39.0	12	3.0	43.0	12	4.0
<b>5B<sup>1)</sup></b>	<b>302</b>	6.0	42.0	18	7.5	–	–	–	70.0	18	7.5	–	–	–
	<b>304</b>	4.0	47.0	18	5.5	50.0	18	7.0	75.0	18	5.5	78.0	18	7.0
	<b>310</b>	3.0	47.0	18	4.5	50.0	18	7.0	75.0	18	4.5	78.0	18	7.0
	<b>314/316</b>	2.0	46.0	18	4.0	49.0	18	5.5	74.0	18	4.0	77.0	18	5.5
	<b>320</b>	1.6	46.0	18	3.5	49.0	18	5.5	74.0	18	3.5	77.0	18	5.5
	<b>330/340/348</b>	1.3	45.0	18	3.5	48.0	18	4.0	74.0	18	3.5	77.0	18	4.0
	<b>350/354/364</b>	0.9	45.0	18	3.0	48.0	18	4.0	74.0	18	3.0	77.0	18	4.0



**Note:** 1) In 5B series, «L» and «S» dimensions shall be increased by 13 mm for the largest collet (D25).

**M5** elbow plugs (90°) with cable collet, clamping type D or M (solder or crimp contacts) (FSG model)

	Type	ø contact A (mm)	Cable stripping lengths (mm)					
			M5					
			Solder			Crimp		
			L	S	T	L	S	T
<b>00</b>	<b>302/303/304</b>	0.5	12.0	4	2.5	15.0	5	3.0
	<b>305/306</b>	0.35	12.0	4	2.5	–	–	–
<b>0B</b>	<b>302/303</b>	0.9	21.5	7	3.5	24.0	7	4.0
	<b>304/305</b>	0.7	21.5	7	3.5	24.0	7	4.0
	<b>306/307/309<sup>1)</sup></b>	0.5	21.0	7	3.5	24.0	7	3.0
	<b>312</b>	0.35	21.0	7	3.5	–	–	–
<b>1B</b>	<b>302/303</b>	1.3	27.0	8	3.5	32.0	8	4.0
	<b>304/305</b>	0.9	27.0	8	3.5	32.0	8	4.0
	<b>306/307<sup>2)</sup>/308</b>	0.7	27.0	8	3.5	32.0	8	4.0
	<b>310/314/316<sup>3)</sup></b>	0.5	29.0	8	3.5	–	–	–
<b>2B</b>	<b>302</b>	2.0	35.0	9	4.0	38.0	9	5.5
	<b>303</b>	1.6	35.0	9	4.0	38.0	9	5.5
	<b>304/305/306/307</b>	1.3	34.0	9	4.0	36.0	9	4.0
	<b>308/310</b>	0.9	33.0	9	4.0	36.0	9	4.0
	<b>312/314/316/318/319</b>	0.7	33.0	9	3.5	36.0	9	4.0
	<b>326/332</b>	0.5	33.0	9	3.5	–	–	–

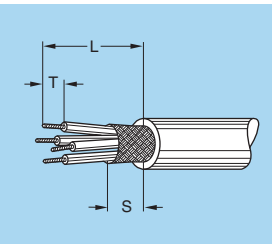


**Note:** 1) center wire L = 16.5. 2) center wire L = 20.5. 3) 5 center wires L = 20.5.  
The tolerances on these dimensions are: L: ± 0.5 mm; S: ± 0.5 mm; T: ± 0.2 mm.

## Cable stripping lengths (B series)

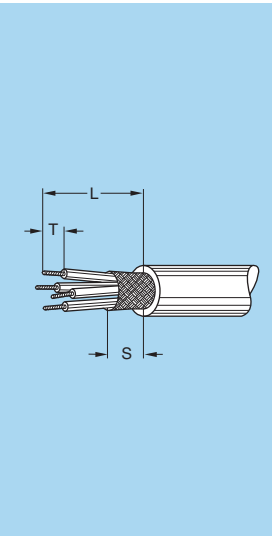
### M4 straight plug, short version, clamping type D or M (solder or crimp contacts)

	Type	ø contact A (mm)	Cable stripping lengths (mm)					
			M4					
			Solder			Crimp		
			L	S	T	L	S	T
<b>0B</b>	<b>302/303</b>	0.9	9.5	8	3.0	13.0	8	4.0
	<b>304/305</b>	0.7	9.5	8	3.0	13.0	8	4.0
	<b>306/307/309<sup>2)</sup></b>	0.5	10.0	8	2.5	13.5	8	3.0



### M2 straight plug, long version, clamping type D or M (solder or crimp contacts)

	Type	ø contact A (mm)	Cable stripping lengths (mm)					
			M2					
			Solder			Crimp		
			L	S	T	L	S	T
<b>1B<sup>1)</sup></b>	<b>302/303</b>	1.3	39.5	8	3.5	43.0	8	4.0
	<b>304/305</b>	0.9	39.5	8	3.0	43.0	8	4.0
	<b>306/307/308</b>	0.7	39.5	8	3.0	43.0	8	4.0
	<b>310/314/316</b>	0.5	42.0	8	2.5	–	–	–
<b>2B</b>	<b>302</b>	2.0	49.0	9	4.0	53.0	9	5.5
	<b>303</b>	1.6	49.0	9	3.5	53.0	9	5.5
	<b>304/305/306/307</b>	1.3	48.0	9	3.5	50.0	9	4.0
	<b>308/310</b>	0.9	47.0	9	3.0	49.0	9	4.0
	<b>312/314/316/318/319</b>	0.7	47.0	9	3.0	49.0	9	4.0
	<b>326/332</b>	0.5	47.0	9	2.5	–	–	–



**Note:** <sup>1)</sup> In 1B series, «L» and «S» dimensions shall be increased by 2 mm for the largest collet (D76 in 1B series).

<sup>2)</sup> Crimp contacts are available only for connectors fitted with male contacts.

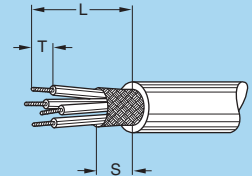
The tolerances on these dimensions are: L: ± 0.5 mm; S: ± 0.5 mm; T: ± 0.2 mm.

## Cable stripping lengths (K series)

**M1** straight plugs and sockets with cable collet, clamping type C (solder or crimp contacts)

**M3** elbow plug (90°) with cable collet, clamping type C (solder or crimp contacts)

	Type	ø contact A (mm)	Cable stripping lengths (mm)											
			M1						M3					
			Solder			Crimp			Solder			Crimp		
			L	S	T	L	S	T	L	S	T	L	S	T
<b>0K</b>	302/303	0.9	9.5	6	3.5	12.0	6	4.0	22.5	6	3.5	25.0	6	4.0
	304/305	0.7	9.5	6	3.5	12.0	6	4.0	22.5	6	3.5	25.0	6	4.0
	306/307/309 <sup>1)</sup>	0.5	9.0	6	2.5	13.0	6	4.0	22.0	6	2.5	26.0	6	4.0
	312	0.35	9.0	6	2.5	–	–	–	22.0	6	2.5	–	–	–
<b>1K</b>	302/303	1.3	11.0	7	3.5	14.5	7	4.0	27.5	7	3.5	31.0	7	4.0
	304/305	0.9	11.0	7	3.0	14.5	7	4.0	27.5	7	3.0	31.0	7	4.0
	306/307/308	0.7	11.0	7	3.0	14.5	7	4.0	27.5	7	3.0	31.0	7	4.0
	310/314/316	0.5	13.0	7	2.5	–	–	–	29.5	7	2.5	–	–	–
<b>2K</b>	302	2.0	16.5	8	4.0	19.5	8	5.5	36.0	8	4.0	39.0	8	5.5
	303	1.6	16.5	8	3.5	19.5	8	5.5	36.0	8	3.5	39.0	8	5.5
	304/305/306/307	1.3	15.5	8	3.5	17.5	8	4.0	35.0	8	3.5	37.0	8	4.0
	308/310	0.9	14.5	8	3.0	17.5	8	4.0	34.0	8	3.0	37.0	8	4.0
	312/314/316/318/319	0.7	14.5	8	3.0	17.5	8	4.0	34.0	8	3.0	37.0	8	4.0
	326/332	0.5	14.5	8	2.5	–	–	–	34.0	8	2.5	–	–	–
<b>3K</b>	302	3.0	19.0	10	4.5	23.0	10	5.5	48.0	10	4.5	53.0	10	5.5
	303/304	2.0	18.0	10	4.0	22.0	10	5.5	48.0	10	4.0	52.0	10	5.5
	305/306/307	1.6	18.0	10	3.5	22.0	10	5.5	48.0	10	3.5	52.0	10	5.5
	308/310	1.3	17.0	10	3.5	20.0	10	4.0	47.0	10	3.5	50.0	10	4.0
	309	1.3 2.0	17.0	10	3.5 4.0	20.0	10	4.0 5.5	47.0	10	3.5 4.0	50.0	10	4.0 5.5
	312/314/316/318	0.9	16.0	10	3.0	20.0	10	4.0	46.0	10	3.0	50.0	10	4.0
	320/322/324/326/330	0.7	16.0	10	3.0	20.0	10	4.0	46.0	10	3.0	50.0	10	4.0
<b>4K</b>	304	3.0	22.0	11	4.5	25.0	11	5.5	52.0	11	4.5	55.0	11	5.5
	306/307	2.0	21.0	11	4.0	25.0	11	5.5	51.0	11	4.0	55.0	11	5.5
	310	1.6	21.0	11	3.5	25.0	11	5.5	51.0	11	3.5	55.0	11	5.5
	312	1.3	21.0	11	3.5	25.0	11	4.0	51.0	11	3.5	55.0	11	4.0
	316/320/324/330	0.9	21.0	11	3.0	23.0	11	4.0	51.0	11	3.0	53.0	11	4.0
	340/348	0.7	21.0	11	3.0	23.0	11	4.0	51.0	11	3.0	53.0	11	4.0
<b>5K</b>	302	6.0	24.0	14	7.5	–	–	–	–	–	–	–	–	–
	304	4.0	29.0	14	5.5	32.0	14	7.0	–	–	–	–	–	–
	310	3.0	29.0	14	4.5	32.0	14	7.0	–	–	–	–	–	–
	314/316	2.0	28.0	14	4.0	31.0	14	5.5	–	–	–	–	–	–
	320	1.6	28.0	14	3.5	31.0	14	5.5	–	–	–	–	–	–
	330/340/348	1.3	27.0	14	3.5	30.0	14	4.0	–	–	–	–	–	–
	350/354/364	0.9	27.0	14	3.0	30.0	14	4.0	–	–	–	–	–	–



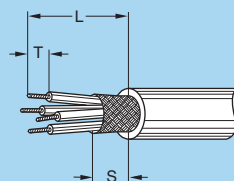
**Note:** <sup>1)</sup> crimp contacts are available only for connectors fitted with male contacts. The tolerances on these dim. are: L: ± 0.5 mm; S: ± 0.5 mm; T: ± 0.2 mm.



## Cable stripping lengths (K series)

**M2** straight plug and socket with oversize cable collet, clamping type K (solder or crimp contacts)

	Type	ø contact A (mm)	Cable stripping lengths (mm)					
			<b>M2</b>					
			Solder			Crimp		
			L	S	T	L	S	T
<b>1K</b>	<b>302/303</b>	1.3	23.5	8	3.5	27.5	8	4.0
	<b>304/305</b>	0.9	23.5	8	3.0	27.5	8	4.0
	<b>306/307/308</b>	0.7	23.5	8	3.0	27.5	8	4.0
	<b>310/314/316</b>	0.5	24.5	8	2.5	–	–	–
<b>2K</b>	<b>302</b>	2.0	29.5	10	4.0	32.5	10	5.5
	<b>303</b>	1.6	29.5	10	3.5	32.5	10	5.5
	<b>304/305/306/307</b>	1.3	28.5	10	3.5	30.5	10	4.0
	<b>308/310</b>	0.9	27.5	10	3.0	30.5	10	4.0
	<b>312/314/316/318/319</b>	0.7	27.5	10	3.0	30.5	10	4.0
	<b>326/332</b>	0.5	27.5	10	2.5	–	–	–
<b>3K</b>	<b>302</b>	3.0	37.0	11	4.5	41.0	11	5.5
	<b>303/304</b>	2.0	36.0	11	4.0	40.0	11	5.5
	<b>305/306/307</b>	1.6	36.0	11	3.5	40.0	11	5.5
	<b>308/310</b>	1.3	35.0	11	3.5	38.0	11	4.0
	<b>309</b>	1.3 2.0	35.0	11	3.5 4.0	38.0	11	4.0 5.5
	<b>312/314/316/318</b>	0.9	34.0	11	3.0	38.0	11	4.0
	<b>320/322/324/326/330</b>	0.7	34.0	11	3.0	38.0	11	4.0
	<b>340/348</b>	0.7	34.0	11	3.0	38.0	11	4.0
<b>4K</b>	<b>304</b>	3.0	45.0	14	4.5	48.0	14	5.5
	<b>306/307</b>	2.0	44.0	14	4.0	48.0	14	5.5
	<b>310</b>	1.6	44.0	14	3.5	48.0	14	5.5
	<b>312</b>	1.3	44.0	14	3.5	48.0	14	4.0
	<b>316/320/324/330</b>	0.9	44.0	14	3.0	46.0	14	4.0
	<b>340/348</b>	0.7	44.0	14	3.0	46.0	14	4.0
	<b>340/348</b>	0.7	44.0	14	3.0	46.0	14	4.0

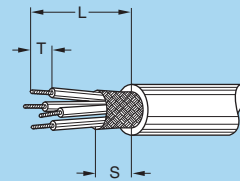


**Note:** the tolerances on these dim. are: L: ± 0.5 mm; S: ± 0.5 mm; T: ± 0.2 mm.

## Cable stripping lengths (T series)

**M1** straight plugs and sockets with cable collet, clamping type C (solder or crimp contacts)

	Type	ø contact A (mm)	Cable stripping lengths (mm)					
			<b>M1</b>					
			Solder			Crimp		
			L	S	T	L	S	T
<b>TT</b>	302/303/304	0.5	7.0	4	2.5	10.0	4	3.0
	305/306	0.35	7.0	4	2.5	–	–	–
<b>OT</b>	302/303	0.9	9.5	6	3.5	12.0	6	4.0
	304/305	0.7	9.5	6	3.5	12.0	6	4.0
	306/307/309 <sup>1)</sup>	0.5	9.0	6	2.5	13.0	6	3.0
	312	0.35	9.0	6	2.5	–	–	–
<b>1T</b>	302/303	1.3	11.0	7	3.5	14.5	7	4.0
	304/305	0.9	11.0	7	3.0	14.5	7	4.0
	306/307/308	0.7	11.0	7	3.0	14.5	7	4.0
	310/314/316	0.5	13.0	7	2.5	–	–	–
<b>2T</b>	302	2.0	16.5	8	4.0	19.5	8	5.5
	303	1.6	16.5	8	3.5	19.5	8	5.5
	304/305/306/307	1.3	15.5	8	3.5	17.5	8	4.0
	308/310	0.9	14.5	8	3.0	17.5	8	4.0
	312/314/316/318/319	0.7	14.5	8	3.0	17.5	8	4.0
	326/332	0.5	14.5	8	2.5	–	–	–
<b>3T</b>	302	3.0	19.0	10	4.5	23.0	10	5.5
	303/304	2.0	18.0	10	4.0	22.0	10	5.5
	305/306/307	1.6	18.0	10	3.5	22.0	10	5.5
	308/310	1.3	17.0	10	3.5	20.0	10	4.0
	309	1.3 2.0	17.0	10	3.5 4.0	20.0	10	4.0 5.5
	312/314/316/318	0.9	16.0	10	3.0	20.0	10	4.0
	320/322/324/326/330	0.7	16.0	10	3.0	20.0	10	4.0



**Note:** <sup>1)</sup> crimp contacts are available only for connectors fitted with male contacts. The tolerances on these dim. are: L: ± 0.5 mm; S: ± 0.5 mm; T: ± 0.2 mm.

## Cable stripping lengths for unipole connectors (S series)

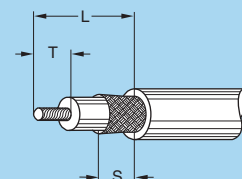
**M1** straight plugs and sockets with cable collet, clamping type C (solder contacts)

**M3** elbow plugs (90°) with cable collet, clamping type C (solder contacts)

**M5** straight plugs and sockets with cable crimping type E (crimp contacts)

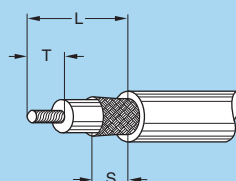
**M6** elbow plugs (90°) with cable crimping type E (crimp contacts)

	Type	ø contact A (mm)	Cable stripping lengths (mm)											
			M1			M5			M3			M6		
			Solder			Crimp			Solder			Crimp		
			L	S	T	L	S	T	L	S	T	L	S	T
<b>00</b>	<b>113</b>	1.3	9	4	4	19	5	7	7	4	2	17	5	7
<b>0S</b>	<b>116</b>	1.6	11	5	4	-	-	-	8	5	2	-	-	-
<b>1S</b>	<b>120</b>	2.0	13	8	5	-	-	-	13	8	2	-	-	-
	<b>130</b>	3.0	13	8	5	-	-	-	13	8	2	-	-	-
<b>2S</b>	<b>130</b>	3.0	18	9	6	-	-	-	15	9	2	-	-	-
	<b>140</b>	4.0	18	9	6	-	-	-	15	9	2	-	-	-
<b>3S</b>	<b>140</b>	4.0	21	9	7	-	-	-	19	9	2	-	-	-
	<b>160</b>	6.0	21	9	9	-	-	-	19	9	2	-	-	-
<b>4S</b>	<b>140</b>	4.0	25	9	7	-	-	-	23	9	2	-	-	-
	<b>160</b>	6.0	25	9	9	-	-	-	23	9	2	-	-	-
<b>5S</b>	<b>112</b>	12.0	12	15	12	-	-	-	-	-	-	-	-	-



**M2** straight plugs and sockets with oversize cable collet, clamping type K (solder contacts)

	Type	ø contact A (mm)	Cable stripping lengths (mm)		
			M2		
			Solder		
			L	S	T
<b>00</b>	<b>113</b>	1.3	16	4	4
<b>0S</b>	<b>116</b>	1.6	19	5	4
<b>1S</b>	<b>120</b>	2.0	25	8	5
	<b>130</b>	3.0	25	8	5
<b>2S</b>	<b>130</b>	3.0	34	9	6
	<b>140</b>	4.0	34	9	6
<b>3S</b>	<b>140</b>	4.0	39	9	7
	<b>160</b>	6.0	39	9	9
<b>4S</b>	<b>140</b>	4.0	50	9	7
	<b>160</b>	6.0	50	9	9

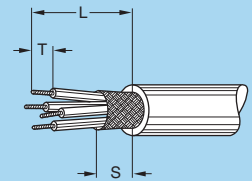


## Cable stripping lengths for multipole connectors (S series)

**M1** straight plugs and sockets with cable collet, clamping type C (solder or crimp contacts)

**M3** elbow plugs (90°) with cable collet, clamping type C (solder or crimp contacts)

	Type	ø contact A (mm)	Cable stripping lengths (mm)											
			M1						M3					
			Solder			Crimp			Solder			Crimp		
			L	S	T	L	S	T	L	S	T	L	S	T
<b>0S</b>	302	0.9	10.0	5	3.5	15	5	4.0	10.0	5	3.5	15	5	4.0
	303/304	0.7	10.0	5	3.5	15	5	4.0	10.0	5	3.5	15	5	4.0
	306	0.5	10.0	5	2.5	–	–	–	10.0	5	2.5	–	–	–
<b>1S</b>	302	1.3	12.5	8	3.5	17	8	4.0	14.5	8	3.5	17	8	4.0
	303/304	0.9	12.0	8	3.0	17	8	4.0	14.0	8	3.0	17	8	4.0
	305	0.9 0.7	12.0	8	3.0	17	8	4.0	14.0	8	3.0	17	8	4.0
	306	0.7	12.5	8	3.0	17	8	4.0	14.5	8	3.0	17	8	4.0
<b>2S</b>	302	1.6	17.0	9	3.5	22	9	5.5	17.0	9	3.5	22	9	5.5
	303/304/305/306	1.3	17.5	9	3.5	22	9	4.0	17.5	9	3.5	22	9	4.0
	307	1.3 0.9	17.5	9	3.5 3.0	22	9	4.0	17.5	9	3.5 3.0	22	9	4.0
	308/310	0.9	17.0	9	3.0	22	9	4.0	17.0	9	3.0	22	9	4.0
<b>3S</b>	302/303/304	2.0	20.0	9	4.0	–	–	–	–	–	–	–	–	–
	305	2.0 1.3	20.0	9	4.0 3.5	–	–	–	–	–	–	–	–	–
	306/307/308/310	1.3	20.5	9	3.5	–	–	–	–	–	–	–	–	–
	312/313/314/316/318	0.9	20.0	9	3.0	–	–	–	–	–	–	–	–	–
<b>4S</b>	302	4.0	25.0	9	7.0	–	–	–	–	–	–	–	–	–
	303/304	3.0	23.5	9	4.5	–	–	–	–	–	–	–	–	–
	305	3.0 2.0	23.5	9	4.5 4.0	–	–	–	–	–	–	–	–	–
	306	2.0	21.0	9	4.0	–	–	–	–	–	–	–	–	–
	307	2.0 1.3	21.0	9	4.0 3.5	–	–	–	–	–	–	–	–	–
	308/309/310/312/313/314	1.3	24.5	9	3.5	–	–	–	–	–	–	–	–	–
	316/318/320/322/324	0.9	24.5	9	3.5	–	–	–	–	–	–	–	–	–

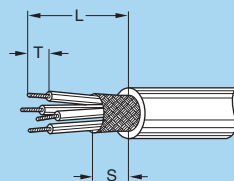


## Cable stripping lengths for multipole connectors (S series)

**M1** straight plugs and sockets with cable collet, clamping type C (solder contacts)

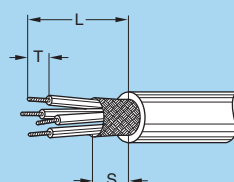
**M3** elbow plugs (90°) with cable collet, clamping type C (solder contacts)

	Type	ø contact A (mm)	Cable stripping lengths (mm)					
			M1			M3		
			Solder			Solder		
			L	S	T	L	S	T
<b>5S</b>	302	6.0	33.5	22	7.5	33.5	22	7.5
	303	6.0 4.0	33.5	22	7.5 5.5	33.5	22	7.5 5.5
	304	4.0	33.5	22	5.5	33.5	22	5.5
	305	4.0 3.0	33.5	22	5.5 4.5	33.5	22	5.5 4.5
	306/308	3.0	33.5	22	4.5	33.5	22	4.5
	310/312/316	2.0	32.0	22	4.0	32.0	22	4.0
	314	3.0 2.0	33.5	22	4.5 4.0	33.5	22	4.5 4.0
	318/322	3.0 1.6	33.5	22	4.5 3.5	33.5	22	4.5 3.5
	320/324	1.6	34.0	22	3.5	34.0	22	3.5
	330/336/340/344/348	1.3	34.5	22	3.5	34.5	22	3.5
	<b>6S</b>	304	8.0	37.0	15	10.0	37.0	15
312/318		4.0	37.0	15	7.0	37.0	15	7.0
320/324		3.0	37.0	15	6.0	37.0	15	6.0
330/336/348		2.0	37.0	15	7.0	37.0	15	7.0
360		1.6	37.0	15	4.5	37.0	15	4.5
364/372		1.3	37.0	15	4.0	37.0	15	4.0
106		0.9	37.0	15	4.0	37.0	15	4.0



**M4** straight plug with cable collet, clamping type D or M (solder or crimp contacts)

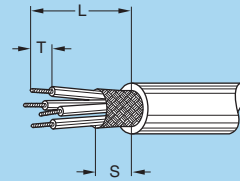
	Type	ø contact A (mm)	Cable stripping lengths (mm)					
			M4					
			Solder			Crimp		
			L	S	T	L	S	T
<b>2S</b>	302	1.6	47.0	9	3.5	52	9	5.5
	303/304/305/306	1.3	47.5	9	3.5	52	9	4.0
	307	1.3 0.9	47.5	9	3.5 3.0	52	9	4.0
	308/310	0.7	47.0	9	3.0	52	9	4.0



## Cable stripping lengths for multipole connectors (S series)

**M2** straight plugs and sockets with oversize cable collet, clamping type K (solder or crimp contacts)

	Type	ø contact A (mm)	Cable stripping lengths (mm)					
			M2					
			Solder			Crimp		
			L	S	T	L	S	T
<b>0S</b>	302	0.9	19.5	5	3.5	23	5	4.0
	303/304	0.7	20.0	5	3.5	23	5	4.0
	306	0.5	19.0	5	2.5	–	–	–
<b>1S</b>	302	1.3	24.5	8	3.5	28	8	4.0
	303/304	0.9	24.0	8	3.0	28	8	4.0
	305	0.9 0.7	24.0	8	3.0	28	8	4.0
	306	0.7	24.5	8	3.0	28	8	4.0
<b>2S</b>	302	1.6	33.0	9	3.5	38	9	5.5
	303/304/305/306	1.3	33.5	9	3.5	38	9	4.0
	307	1.3 0.9	33.5	9	3.5 3.0	38	9	4.0
	308/310	0.9	33.0	9	3.0	38	9	4.0
<b>3S</b>	302/303/304	2.0	38.0	9	4.0	–	–	–
	305	2.0 1.3	38.0	9	4.0 3.5	–	–	–
	306/307/308/310	1.3	38.5	9	3.5	–	–	–
	312/313/314/316/318	0.9	38.0	9	3.0	–	–	–
<b>4S</b>	302	4.0	50.0	9	7.0	–	–	–
	303/304	3.0	48.5	9	4.5	–	–	–
	305	3.0 2.0	48.5	9	4.5 4.0	–	–	–
	306	2.0	49.0	9	4.0	–	–	–
	307	2.0 1.3	49.0	9	4.0 3.5	–	–	–
	308/309/310/312/313/314	1.3	49.5	9	3.5	–	–	–
	316/318/320/322/324	0.9	49.0	9	3.0	–	–	–
<b>5S</b>	302	6.0	68.5	22	7.5	–	–	–
	303	6.0 4.0	68.5	22	7.5 5.5	–	–	–
	304	4.0	68.5	22	5.5	–	–	–
	305	4.0 3.0	68.5	22	5.5 4.5	–	–	–
	306/308	3.0	68.5	22	4.5	–	–	–
	310/312/316	2.0	67.0	22	4.0	–	–	–
	314	3.0 2.0	68.5	22	4.5 4.0	–	–	–
	318/322	3.0 1.6	68.5	22	4.5 3.5	–	–	–
	320/324	1.6	69.0	22	3.5	–	–	–
	330/336/340/344/348	1.3	69.5	22	3.5	–	–	–

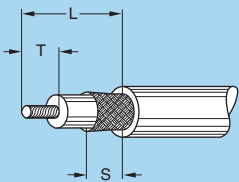


## Cable stripping lengths for unipole connectors (E series)

**M1** straight plugs and sockets with cable collet, clamping type C (solder contacts)

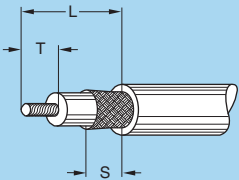
**M3** elbow plugs (90°) with cable collet, clamping type C (solder contacts)

	Type	ø contact A (mm)	Cable stripping lengths (mm)					
			M1			M3		
			Solder			Solder		
			L	S	T	L	S	T
<b>0E</b>	<b>116</b>	1.6	9	5	4	20	5	4
<b>1E</b>	<b>120</b>	2.0	12	8	5	25	8	5
	<b>130</b>	3.0	13	8	5	25	8	5
<b>2E</b>	<b>130</b>	3.0	16	9	6	33	9	6
	<b>140</b>	4.0	15	9	6	33	9	6
<b>3E</b>	<b>140</b>	4.0	19	9	7	40	9	7
	<b>160</b>	6.0	20	9	9	40	9	9
<b>4E</b>	<b>160</b>	6.0	23	9	9	50	9	9
<b>5E</b>	<b>112</b>	12.0	12	15	12	-	-	-



**M2** straight plugs and sockets with oversize cable collet, clamping type K (solder contacts)

	Type	ø contact A (mm)	Cable stripping lengths (mm)		
			M2		
			Solder		
			L	S	T
<b>1E</b>	<b>120</b>	2.0	25	8	5
	<b>130</b>	3.0	26	8	5
<b>2E</b>	<b>130</b>	3.0	28	9	6
	<b>140</b>	4.0	27	9	6
<b>3E</b>	<b>140</b>	4.0	36	9	7
	<b>160</b>	6.0	37	9	9
<b>4E</b>	<b>160</b>	6.0	50	9	9

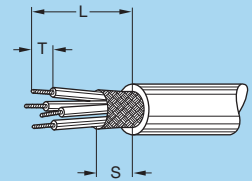


## Cable stripping lengths for multipole connectors (E series)

**M1** straight plugs and sockets with cable collet, clamping type C (solder or crimp contacts)

**M3** elbow plugs (90°) with cable collet, clamping type C (solder or crimp contacts)

	Type	ø contact A (mm)	Cable stripping lengths (mm)											
			M1						M3					
			Solder			Crimp			Solder			Crimp		
			L	S	T	L	S	T	L	S	T	L	S	T
<b>0E</b>	302	0.9	9.0	4	3.5	12	5	4.0	19.5	5	3.5	23	5	4.0
	303/304	0.7	9.0	4	3.5	12	5	4.0	19.0	5	2.5	23	5	4.0
	306	0.5	8.0	4	2.5	–	–	–	20.0	5	3.5	–	–	–
<b>1E</b>	302	1.3	10.5	6	3.5	15	8	4.0	23.5	8	3.5	28	8	4.0
	303/304	0.9	10.5	6	3.0	15	8	4.0	23.0	8	3.0	28	8	4.0
	305	0.9 0.7	10.5	6	3.0	15	8	4.0	23.0	8	3.0	28	8	4.0
	306	0.7	10.5	6	3.0	15	8	4.0	23.5	8	3.0	28	8	4.0
<b>2E</b>	302	1.6	14.0	9	3.5	19	9	5.5	32.0	9	3.5	37	9	5.5
	303/304/305/306	1.3	14.5	9	3.5	19	9	4.0	32.5	9	3.5	37	9	4.0
	307	1.3 0.9	14.5	9	3.5 3.0	19	9	4.0	32.5	9	3.5 3.0	37	9	4.0
	308/310	0.9	14.0	9	3.0	19	9	4.0	32.0	9	3.0	37	9	4.0
<b>3E</b>	302/303/304	2.0	17.0	9	4.0	–	–	–	38.0	9	4.0	–	–	–
	305	2.0 1.3	17.0	9	4.0 3.5	–	–	–	38.0	9	4.0 3.5	–	–	–
	306/307/308/310	1.3	17.5	9	3.5	–	–	–	38.5	9	3.5	–	–	–
	312/313/314/316/318	0.9	17.0	9	4.0	–	–	–	38.0	9	3.0	–	–	–
<b>4E</b>	302	4.0	23.0	9	7.0	–	–	–	50.0	9	7.0	–	–	–
	303/304	3.0	21.5	9	4.5	–	–	–	48.5	9	4.5	–	–	–
	305	3.0 2.0	21.5	9	4.5 4.0	–	–	–	48.5	9	4.5 4.0	–	–	–
	306	2.0	22.0	9	4.0	–	–	–	49.0	9	4.0	–	–	–
	307	2.0 1.3	22.0	9	4.0 3.5	–	–	–	49.0	9	4.0 3.5	–	–	–
	308/309/310/312/313/314	1.3	22.5	9	3.5	–	–	–	49.5	9	3.5	–	–	–
	316/318/320/322/324	0.9	22.0	9	4.0	–	–	–	49.0	9	3.0	–	–	–
<b>5E</b>	302	6.0	46.5	15	7.5	–	–	–	–	–	–	–	–	–
	303	6.0 4.0	46.5	15	7.5 5.5	–	–	–	–	–	–	–	–	–
	304	4.0	46.5	15	5.5	–	–	–	–	–	–	–	–	–
	305	4.0 3.0	46.5	15	5.5 4.5	–	–	–	–	–	–	–	–	–
	306/308	3.0	46.5	15	4.5	–	–	–	–	–	–	–	–	–
	310/312/316	2.0	45.0	15	4.0	–	–	–	–	–	–	–	–	–
	314	3.0 2.0	45.5	15	4.5 4.0	–	–	–	–	–	–	–	–	–
	318/322	3.0 1.6	45.5	15	4.5 3.5	–	–	–	–	–	–	–	–	–
	320/324	1.6	47.0	15	3.5	–	–	–	–	–	–	–	–	–
	330/336/340/344/348	1.3	47.5	15	3.5	–	–	–	–	–	–	–	–	–



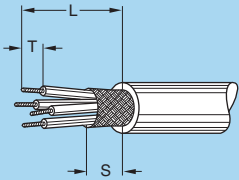


## Cable stripping lengths for multipole connectors (E series)

**M1** straight plugs and sockets with cable collet, clamping type C (solder contacts)

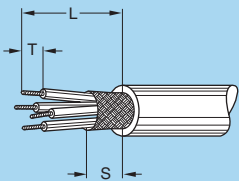
**M3** elbow plugs (90°) with cable collet, clamping type C (solder contacts)

	Type	ø contact A (mm)	Cable stripping lengths (mm)					
			M1			M3		
			Solder			Solder		
			L	S	T	L	S	T
<b>6E</b>	303	6.0	70	30	9.0	–	–	–
	304	8.0	70	30	10.0	–	–	–
	312	5.0	70	30	8.0	–	–	–
	316/320/324	3.0	70	30	6.0	–	–	–
	330/332/340/348	2.0	70	30	7.0	–	–	–
	336	1.3 5.0	70	30	4.0 8.0	–	–	–
	360/362	1.6	70	30	4.5	–	–	–
	364/372	1.3	70	30	4.0	–	–	–
	106	0.9	70	30	4.0	–	–	–

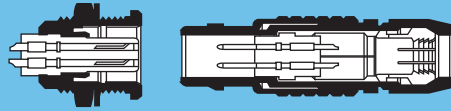


**M2** straight plugs and sockets with oversize cable collet, clamping type K (solder or crimp contacts)

	Type	ø contact A (mm)	Cable stripping lengths (mm)					
			M2					
			Solder			Crimp		
			L	S	T	L	S	T
<b>1E</b>	302	1.3	23.5	8	3.5	28	8	4.0
	303/304	0.9	23.0	8	3.0	28	8	4.0
	305	0.9 0.7	23.0	8	3.0	28	8	4.0
	306	0.7	23.5	8	3.0	28	8	4.0
<b>2E</b>	302	1.6	26.0	9	3.5	31	9	5.5
	303/304/305/306	1.3	26.5	9	3.5	31	9	4.0
	307	1.3 0.9	26.5	9	3.5 3.0	31	9	4.0
	308/310	0.9	26.0	9	3.0	31	9	4.0
<b>3E</b>	302/303/304	2.0	34.0	9	4.0	–	–	–
	305	2.0 1.3	34.0	9	4.0 3.5	–	–	–
	306/307/308/310	1.3	34.5	9	3.5	–	–	–
	312/313/314/316/318	0.9	34.0	9	3.0	–	–	–
<b>4E</b>	302	4.0	50.0	9	7.0	–	–	–
	303/304	3.0	48.5	9	4.5	–	–	–
	305	3.0 2.0	48.5	9	4.5 4.0	–	–	–
	306	2.0	49.0	9	4.0	–	–	–
	307	2.0 1.3	49.0	9	4.0 3.5	–	–	–
	308/309/310/312/313/314	1.3	49.5	9	3.5	–	–	–
	316/318/320/322/324	0.9	49.0	9	3.0	–	–	–



## Technical characteristics



### Outer shell

#### Brass

In most cases, LEMO connectors have a brass outer shell which is suitable for most general purpose applications, including civilian and military. The brass outer shells have a chrome nickel-plated surface which ensures very good protection against industrial atmosphere, salt air and most corrosive agents.

Alternative protective coatings are available to satisfy other specific environmental conditions:

- electrolytic nickel
- nickel-gold
- nickel-black chrome. After the black chrome treatment, the part is coated with non conductive protective organic film.

#### Stainless steel

For applications where there are severe environmental conditions that may rapidly damage the surface finish, we recommend using stainless steel. The AISI 303 stainless steel is a material for general use adapted to most applications requiring a product made entirely of stainless metal.

For the nuclear industry where elements are subject to radiation and to vaporous nitric acid, we offer AISI 304 stainless steel.

Grade AISI 316L is recommended for medical applications, highly demanding with regard to non-corrosiveness. This material is also used for connector shells soldered by electronic beam onto a device made of the same stainless steel. These parts have no surface treatment.

#### Aluminium alloy

The aluminium alloy outer shells find numerous applications where light weight is a predominant factor; such as in the aeronautics and space industries, and for portable and mobile equipment.

These materials have high mechanical strength and excellent resistance to corrosion. The shell surface is protected by anodizing which is available in six colours: blue, yellow, black, red, green, and natural.

#### Plastic materials

Some connector model shells can be made of plastic. This solution offers optimum electrical insulating properties particularly suitable for medical applications. Black Polyoxymethylene (POM) is particularly adapted to products of the 00 or S series.

Grey or white polysulfone (PSU) and beige PEEK offers excellent mechanical properties and is suitable for gas or vapour sterilization.

Some models of the 2B and 3B series are available with an outer shell of cream-coloured polyphenylsulfone (PPSU). We recommend this material particularly for applications where products are to withstand hundreds of vapour sterilization cycles.

Bridge plug or plugs with parallel sockets are made of polyamide (PA.6) available in 9 colours: blue, white, grey, yellow, brown, black, red, orange and green.

Some elbow socket shells for printed circuits are overmoulded in polyphenylene sulfide (PPS).

#### Other metallic components

In general, most metallic components are manufactured in brass. However, bronze or beryllium copper are used where good elasticity is required (for example: earthing crown). Depending on the application, these parts have electrolytic nickel or nickel-gold plating.

These parts can also be manufactured in stainless steel.

#### Sealing gasket

In general, sealing gaskets are made of silicone rubber MQ/MVQ. However, for vacuumtight sockets and couplers, gaskets are made of fluorosilicone rubber (FPM).

#### Sealing resin

An epoxy resin is used to seal both watertight and vacuumtight socket and coupler models.

## Materials and Treatments

Component	Material (Standard)	Surface treatment ( $\mu\text{m}$ )									Notes	
		chrome			nickel		gold			black chr.		
		Cu	Ni	Cr	Cu	Ni	Cu	Ni	Au	Ni		Cr
Outer shell, collet nut, conical nut or notched nut and oversized collet	Brass (UNS C 38500)	0.5	3	0.3	0.5	3	0.5	3	0.5	1	2	
	Stainless steel (AISI 303, 304 or 316L)	without treatment										
	Aluminium alloy (AA 6262A or AA 6023)	-	-	-	-	5	-	-	-	-	-	1)
	Aluminium alloy (AA 6262A or AA 6023)	anodized										
	POM (Delrin® or Ertacetel®), Polyoxymethylene, black	-									2)	
	PEEK, Polyether ethercetone, beige	-									3)	
	PSU (Udel®), Polysulfone, grey or white	-									4)	
	PPSU (Radel®), Polyphenylsulfone, cream	-									4)	
	PA.6 (Grilon®), Polyamid	-									5)	
Earthing crown	PPS (Ryton®), Polyphenilene sulfide, brown	-									6)	
	Bronze (UNS C 54400) or special brass	-	-	-	0.5	3	0.5	3	1.0	-	-	7)
	Beryllium Copper (UNS C 17300)	-	-	-	0.5	3	0.5	3	1.0	-	-	8)
Latch sleeve	Stainless steel (AISI 416 or 316L)	without treatment									9)	
	Special brass	0.5	3	0.3	0.5	3	0.5	3	0.5	-	-	
Locking washer	Stainless steel (AISI 416 or 316L)	without treatment									9)	
	Bronze (UNS C 52100)	-	-	-	0.5	3	0.5	3	0.5	-	-	
Hexagonal or round nut	Brass (UNS C 38500)	-	-	-	0.5	3	0.5	3	0.5	-	-	
	Stainless steel (AISI 303, 304 or 316L)	without treatment									10)	
	Aluminium alloy (AA 6262A or AA 6023)	anodized natural									10)	
Other metallic components	Brass (UNS C 38500)	-	-	-	0.5	3	0.5	3	0.5	-	-	
	Stainless steel (AISI 303, 304 or 316L)	without treatment										
O-ring and gaskets	Silicone MQ/MVQ or FPM/FKM (Viton®)	-									11)	
Sealing resin	Epoxy (Araldite® or Stycast®)	-										

**Notes:** standards for surface treatment are as follows:

- chrome-plated: SAE AMS 2460

- nickel-plated: SAE AMS QQ N 290, or MIL DTL 32119

- gold-plated: ISO 27874

- black chrome: MIL DTL 14538 with a minimum of 10  $\mu\text{m}$  of lacquer protection

1) anthracite colour (other colours upon request)

2) for FFP, PCP and ERN models of the 0S to 3S series

3) for FFP, PCP and ERN models of the 0S to 3S series and FGG and ENG models of the 1B, 3B and 4B series

4) for the FGY and ENY models of the 2B and 3B series

5) for bridge plugs of the B series

6) for S and B series elbow sockets for printed circuits

7) gold-plating for unipole types

8) used in 00 series free and fixed sockets and couplers

9) AISI 416 steel is used with shells made of AISI 303 or 304

10) delivered with free and fixed sockets with aluminium alloy or stainless steel shell

11) FPM/FKM (Viton®) o-ring and gaskets are installed upon special request. However standard for vacuumtight models.

## Technical characteristics of plastic materials

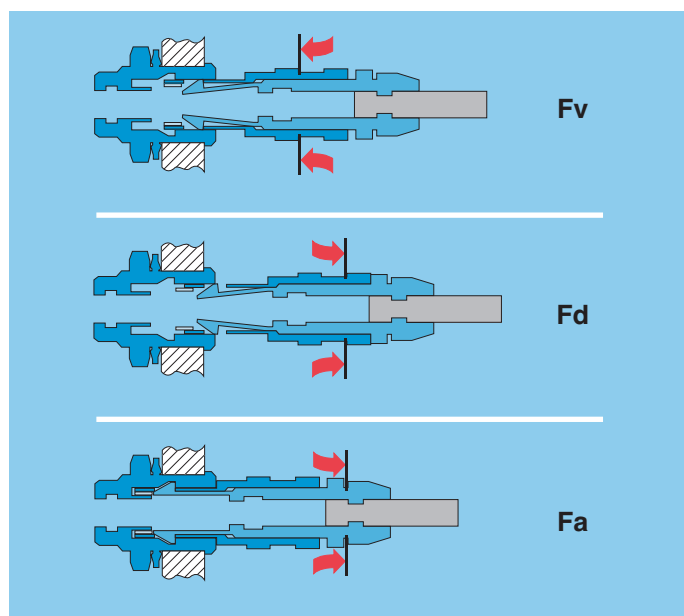
Type	Standard	Units	POM	PEEK	PSU	PPSU	PPS	PA.6	Silicone	FPM	Epoxy
Density	ASTM D 792	–	1.4	1.3-1.4	1.24	1.3	1.67	1.14	~1.2	~1.9	1.58
Tensile strength (at 23°C)	ASTM D 638/ ISO R527	MPa	70-80	92-142	70	70	121	55	>9	> 12	16
Flexurale strength (at 23°C)	ASTM D 790/ ISO R178	MPa	–	170	106	91	179	75	–	–	24
Dielectric strength	ASTM D 149/IEC 60243	kV/mm	60	19-25	17-20	15	17	35	18-30	–	15
Volume resis. at 50% HR and 23°C	ASTM D 257/IEC 60093	$\Omega \bullet \text{cm}$	$10^{15}$	$10^{16}$	$5 \times 10^{16}$	–	$10^{16}$	$10^{15}$	$10^{14}$	–	$10^{14}$
Surface resistivity	ASTM D 257	$\Omega$	$10^{13}$	$10^{15}$	–	–	–	–	–	–	–
Thermal conductivity	ASTM C 177	W/K $\bullet$ m	0.31	0.25	0.26	–	0.3	–	–	–	0.8
Comparative tracking index	IEC 60112	V	CTI 600	CTI 150	CTI 150	–	CTI 200	CTI 600	–	–	CTI>600
Maxi. continuous service temperature	UL 746	°C	90	250	140	180	220	80	200	200	80
Min. continuous service temperature	UL 746	°C	-50	-55	-60	-50	-60	-40	-50	-20	-20
Max. short-time service temperature	–	°C	140	300	160	200	250	150	> 250	300	120
Water absorption in 24h at 23°C	ASTM D 570/ISO R62A	%	0.85	0.12	0.3	0.37	< 0.05	> 3	–	–	0.25
Radiation resistance	–	Gy <sup>1)</sup>	$8 \times 10^3$	$10^7$	$10^5$	–	> $10^7$	$5 \times 10^3$	$10^5$	$8 \times 10^4$	$2 \times 10^6$
Flammability rating	ASTM D 635/UL 94 <sup>2)</sup>	–	HB	V-0/3.2	V-0/4.4	V-0/1.6	V-0/5V	V-2	–	–	V-0/4
Resistance to steam sterilization	–	–	bad	excel.	good	excel.	excel.	bad	good	good	bad

Notes: 1) 1 Gy (Gray) = 100 rad. 2) Depends on material thickness (in mm).

ASTM = American Society for Testing Material  
 ISO = International Standards Organisation

UL = Underwriters Laboratories  
 IEC = International Electrotechnical Commission

## Mechanical latching characteristics



$F_v$ : average latching force.

$F_d$ : average unmating force with axial pull on the outer shell.

$F_a$ : average pull force with axial pull on the collet nut

**Notes:** forces were measured on outer shells **not fitted with contacts**.  
**Mechanical endurance:** 5000 cycles (3000 cycles for T series).  
 The values were measured according to the standard IEC 60512-7 test 13a.

1N = 0.102 kg.

## Standard series

Force (N)	Series							
	00	0S	1S	2S	3S	4S	5S	6S
<b>F<sub>v</sub></b>	9	14	15	17	20	40	60	70
<b>F<sub>d</sub></b>	7	9	10	11	14	25	40	55
<b>F<sub>a</sub></b>	120	140	250	350	500	650	750	900

## Watertight series

Force (N)	Series						
	0E	1E	2E	3E	4E	5E	6E
<b>F<sub>v</sub></b>	14	16	20	32	65	85	100
<b>F<sub>d</sub></b>	9	10	13	25	40	60	75
<b>F<sub>a</sub></b>	250	300	400	550	700	800	900

## Keyed series

Force (N)	Series						
	00	0B	1B	2B	3B	4B	5B
<b>F<sub>v</sub></b>	9	10	14	15	17	39	48
<b>F<sub>d</sub></b>	7	8	11	12	14	38	38
<b>F<sub>a</sub></b>	100	180	300	300	400	600	800

## Keyed watertight series

Force (N)	Series										
	TT	0K	0T	1K	1T	2K	2T	3K	3T	4K	5K
<b>F<sub>v</sub></b>	14	14	15	16	16	20	20	32	28	65	85
<b>F<sub>d</sub></b>	12	9	13	10	14	13	15	25	24	40	60
<b>F<sub>a</sub></b>	80	250	130	300	250	400	250	550	400	700	800

## Electromagnetic compatibility (EMC) and shielding efficiency

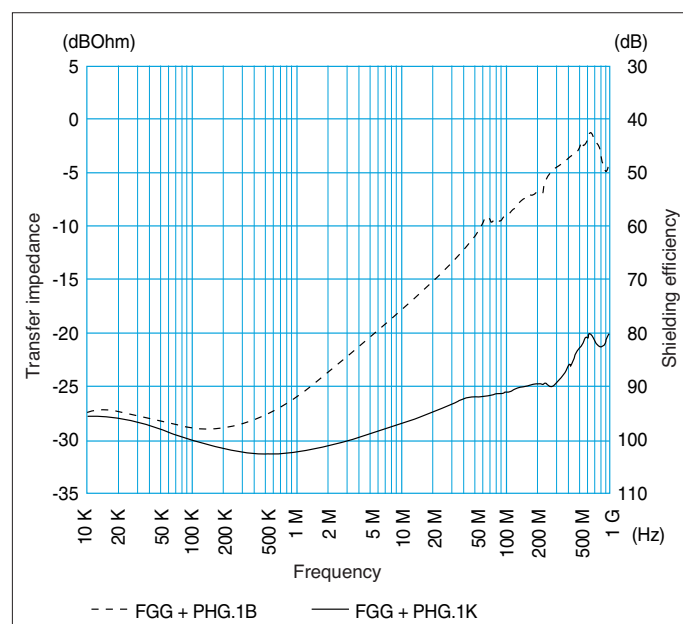
The electromagnetic compatibility of a device can only be ensured by meeting a number of basic rules with the design of the device and by carefully selecting components, cables and connectors.

Electrical and electronic devices are to be designed to ensure the following:

- reduce the emission of generated electromagnetic disturbance to a level where radios and telecommunication and other devices can properly function;
- electromagnetic immunity against electromagnetic disturbance so that they can properly function.

When selecting a connector, screen or shielding efficiency and low resistance to electric continuity between the cable and the connector should be considered.

The design of LEMO connectors with metal shell and earthing crown guarantee optimum shielding efficiency in all applications where electromagnetic compatibility (EMC) is critical. The performance of a connector is measured through shielding efficiency, a value that represents the ratio between the electromagnetic field on the outside and the inside of the shell. Our measurements are carried out according to the IEC 60169-1-3 standard.



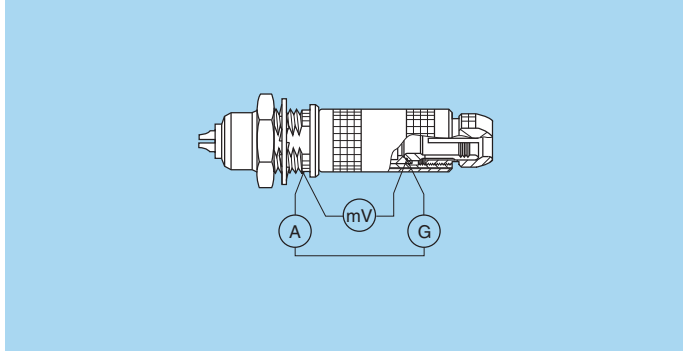
The performance of S and B series connectors is comparable to the results of measurements carried out on a pair of FGG + PHG.1B connectors.

The performance of E and K series connectors is comparable to the results of measurements carried out on a pair of FGG + PHG.1K connectors.

**Shell electrical continuity:**  
(measured according to IEC 60512-2 test 2f)

Test current: 1A  
A = Ammeter  
mV = Millivoltmeter  
G = Generator

**Standard series**



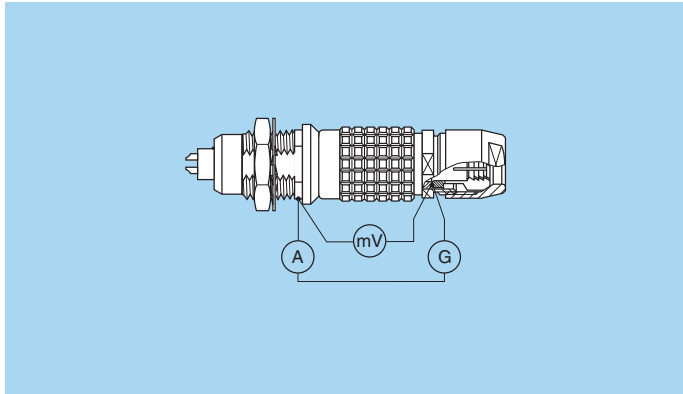
$R_1$  Values with earthing crown and latch sleeve or inner-sleeve nickel-plated.

$R_2$  Values with gold-plated earthing crown and nickel-plated latch sleeve or inner sleeve.

Series	$R_1$ (m $\Omega$ )	$R_2$ (m $\Omega$ )
00	3.5	2.8
0S	2.8	1.6
1S	2.2	1.5
2S	1.8	1.2

Series	$R_1$ (m $\Omega$ )	$R_2$ (m $\Omega$ )
3S	1.6	1.2
4S	1.4	1.0
5S	1.4	1.0
6S	1.0	0.5

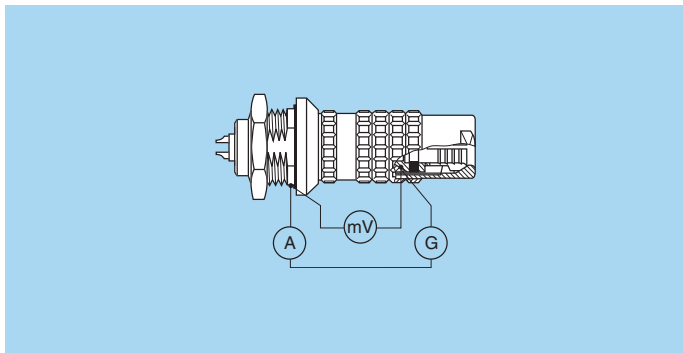
**Keyed series**



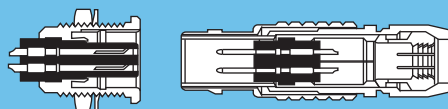
Series	$R_1$ (m $\Omega$ )	$R_2$ (m $\Omega$ )
00	3.5	2.8
0B	3.5	1.3
1B	2.5	1.1
XB	2.5	1.1
2B	2.2	0.9
3B	2.2	0.7
4B	1.5	0.5
5B	1.5	0.3

Series	$R_1$ (m $\Omega$ )
TT	3.5
0T	3.5
1T	2.5
2T	2.2
3T	2.2
4T	1.5
5T	1.5

**Watertight series**  
**Keyed watertight series**



Series	$R_1$ (m $\Omega$ )	$R_2$ (m $\Omega$ )
0E-0K	2.8	1.6
1E-1K	2.2	1.5
2E-2K	1.8	1.2
3E-3K	1.6	1.2
4E-4K	1.4	1.0
5E-5K	1.4	1.0
6E	1.0	0.5



## Insulator

Plastic material used by LEMO for manufacturing insulators is selected according to the electric and thermal properties required for the various connector types.

Characteristics examined for the two connector types are: Dielectric strength, Comparative tracking index, Surface and volume resistivity, Radiation resistance, Continuous service temperature, Water absorption, Flammability rating, Resistance to hydrocarbon.

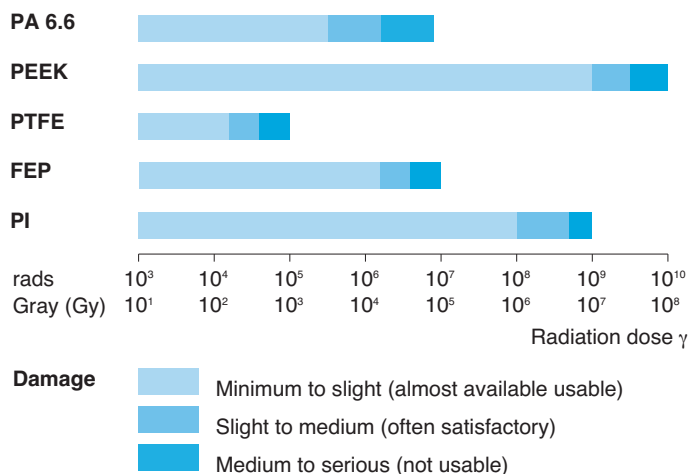
### Mechanical and Electrical Properties

Mechanical characteristics of thermoplastics, such as PA 6.6, and PEEK, are improved by the addition of glass fibres. By adding glass fibres in the resin the performance of this material (mechanical strength and radiation resistance) is enhanced and water absorption rate is reduced. From an electric point of view, the addition of glass fibres improves dielectric strength.

### Selection of the insulator

A number of thermoplastics have common characteristics, some of them are identical with other insulating materials. In this case, the insulator material is selected according to the specific difference in features to provide all the required parameters for the given type.

### Radiation resistance



**Note:** technical data in this chapter provide general information on plastics used by LEMO as electrical insulators. LEMO reserves the right to propose new materials with better technical characteristics, and to withdraw, without notice, any material mentioned in the present catalogue or any other publications edited by LEMO S.A. and/or its subsidiaries. LEMO SA and its subsidiaries use only plastic granules, powder or bars supplied by specialized companies, and thus cannot in any case take responsibility with regard to this material.

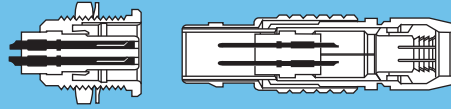
## Technical characteristics

Type	Standard	Units	PA6.6	PEEK	PTFE	FEP	PI
Dielectric strength	ASTM D 149 / IEC 60243	kV/mm	15-17	19-25	17.2-24	20	22
Volume resistivity at 50% RH and 23°C	ASTM D 257 / IEC 60093	$\Omega \bullet \text{cm}$	$5.8 \times 10^{15}$	$10^{16}$	$10^{18}$	$> 10^{16}$	$> 10^{16}$
Surface resistivity	ASTM D 257 / IEC 60093	$\Omega$	$10^{12}$	$10^{15}$	$10^{17}$	$> 10^{16}$	$> 10^{15}$
Thermal conductivity	ASTM C 177	W/K $\bullet$ m	0.21	0.25	0.23	0.24	0.35
Comparative tracking index	IEC 60112	V	CTI 600	CTI 150	CTI 500	–	–
Dielectric constant (10 <sup>6</sup> Hz)	ASTM D 150 / IEC 60250	–	4	3.2-3.5	2-2.1	2.1	3.6
Dissipation factor (10 <sup>6</sup> Hz)	ASTM D 150 / IEC 60250	–	–	< 0.005	< 0.0003	< 0.001	< 0.0034
Maximum continuous service temperature	UL 746	°C	120	250	260	200	350
Maximum short-time service temperature	–	°C	150	300	300	260	480
Minimum continuous service temperature	–	°C	–	-55	-200	-200	–
Water absorption in 24h at 23°C	ASTM D 570 / ISO R624	%	< 0.7	< 0.3	< 0.01	< 0.01	0.24
Radiation resistance	–	Gy	$5 \times 10^3$	$10^7$	$2 \times 10^2$	$2 \times 10^4$	$10^6$
Flammability rating	ASTM D 635 / UL 94	–	–	V-0/3.2	V-0	V-0	–

Designation		Symbol	Standard	Unipole			Multipole					
chemical	commercial			00	S	E	00	S	E	B	K	T
Polyamide (glass fitted)	Nylatron®	PA 6.6	–				●	●				
Polyether Etheretone	Peek®	PEEK	–	○	○	○	●	●	●	●	●	●
Polytetrafluorethylene	–	PTFE	ASTM D 1457-83	●	●	●						
Tetrafluorethylene	–	FEP	ASTM D 2116-81				○	○				
Polyimide	VespeI®	PI	–				○	○				

**Note:** values of insulation resistance between contacts are given on page 189.

● First choice alternative ○ Special order alternative

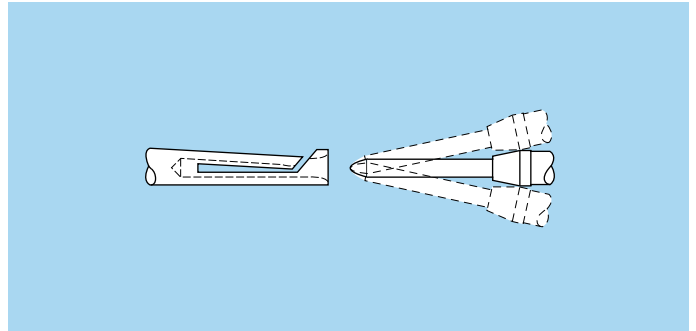


## Electrical contact

### Technical description

The secure reliable electromechanical connection achieved with LEMO female cylindrical contacts is mainly due to two important design features :

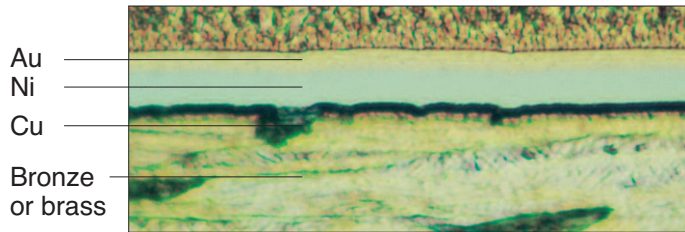
1. *Prod proof entry* on the mating side which ensures perfect concentric mating even with carelessly handled connectors.
2. *The pressure spring*, with good elasticity, maintains a constant even force on the male contact when mated. The leading edge of the pressure spring preserves the surface treatment (gold-plated) and prevents undue wear.



### Contact material and treatment

LEMO female contacts are made of bronze beryllium (QQ-C-530) or bronze (UNS C 54400). These materials are chosen because of their high modulus of elasticity, their excellent electrical conductivity and a high mechanical strength.

LEMO male solder and print contacts are made of brass (UNS C 38500). Male crimp contacts are made of brass (UNS C 34500) or annealed brass (UNS C 38500) with optimum hardness (HV) for crimping onto the wire.



**Notes:** the standard surface treatment are as follows:  
 – nickel: SAE AMS QQ N 290 or MIL DTL 321 19  
 – gold: ISO 27874.

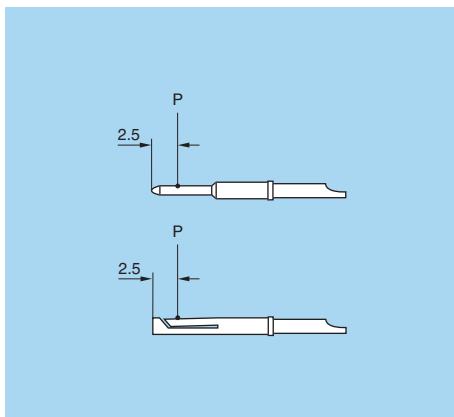
<sup>1)</sup> minimum value

<sup>2)</sup> for elbow print contacts

<sup>3)</sup> treatment completed by 6  $\mu\text{m}$  Sn (lead free) tin-plating

Type	Material (standard)	Surf. treatment ( $\mu\text{m}$ )		
		Cu	Ni	Au <sup>1)</sup>
Male crimp	Brass (UNS C 34500)	0.5	3	1.0
	Brass (UNS C 38500)	0.5	3	1.0
Male print	Brass (UNS C 38500)	0.5	3	1.0
Female crimp / print	Bronze (UNS C 54400) Cu-Be (FS QQ-C-530)	0.5	3	1.5
Clips	Cu-Be (FS QQ-C-530)	–	–	–
	Stainless steel	–	–	–
Connection wire <sup>2)</sup>	Brass	–	3 <sup>3)</sup>	–

### Thickness comparison between the outside and the inside of female contacts



Contact $\varnothing A$ (mm)	Gold thickness		
	male ( $\mu\text{m}$ )	female	
		outside ( $\mu\text{m}$ )	inside (%)
0.35	1.0	1.5	65
0.50	1.0	1.5	65
0.70	1.0	1.5	70
0.90	1.0	1.5	75
1.30	1.0	1.5	75
1.60	1.0	1.5	75
2.00	1.0	1.5	75

Contact $\varnothing A$ (mm)	Gold thickness		
	male ( $\mu\text{m}$ )	female	
		outside ( $\mu\text{m}$ )	inside (%)
3.00	1.0	1.5	75
4.00	1.0	1.5	75
5.00	1.0	1.5	75
6.00	1.0	1.5	75
8.00	1.0	1.5	75
12.00 <sup>1)</sup>	–	–	–

**Note:** P = inspection point

**Notes:** <sup>1)</sup> contacts are silver plated



### Contact resistance with relation to the number of mating cycles

(measured according to IEC 60512-2 test 2a)

Average values measured after the mating cycles and the salt spray test according to IEC 60512-6 test 11f.

A $\phi$ (mm)	Contact resistance (m $\Omega$ )			A $\phi$ (mm)	Contact resistance (m $\Omega$ )		
	1000 cycles	3000 cycles	5000 cycles		1000 cycles	3000 cycles	5000 cycles
0.35	8.0	–	–	3.0	2.0	2.2	3.1
0.5	7.5	8.3	8.7	4.0	1.6	2.0	2.8
0.7	5.6	5.7	6.1	5.0	1.4	–	–
0.9	4.1	4.2	4.8	6.0	1.2	–	–
1.3	2.8	2.9	3.6	8.0	0.8	–	–
1.6	2.9	3.1	3.5	12.0	0.7	–	–
2.0	2.6	2.7	3.3				

### Insulation resistance between the contacts and contact/shell

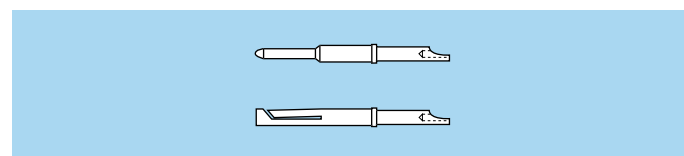
(measured according to IEC 60512-2 test 3a)

Insulating material	Multipole	Unipole
	PEEK	PTFE
new	> 10 <sup>12</sup> $\Omega$	> 10 <sup>12</sup> $\Omega$
after humidity test <sup>1)</sup>	> 10 <sup>10</sup> $\Omega$	> 10 <sup>10</sup> $\Omega$

**Note:** 1) 21 days at 95% RH according to IEC 60068-2-3.

### Solder contacts

The conductor bucket of these contacts is machined at an angle to form a cup into which the solder can flow. See page 8 for the range of cable dimensions that can be soldered.



### Crimp contacts

The square form crimp method is used (MIL-C-22520F, class I, type 2) photo 1 for unipole contacts.

For multipole contacts the standard four identer crimp method is used, MIL-C-22520F, class I, type 1), photo 2. The crimp method requires a controlled compression to obtain a symmetrical deformation of the conductor strand and of the contact material. The radial hole in the side of the contact makes it possible to check whether the conductor is correctly positioned within the contact. A good crimping is characterized by only slightly reduced conductor section and practically no gap.

For optimum crimping of bronze or brass contacts they are annealed to relieve internal stress and reduce material hardening during the crimping process.

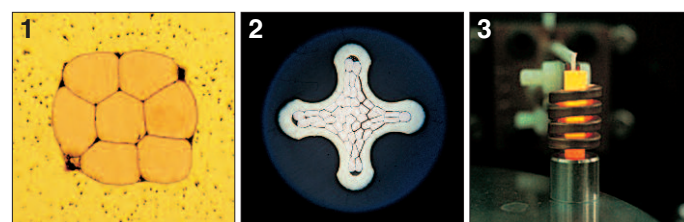
Only the crimping zone is annealed with the help of an induction heating machine designed by the LEMO Research and Development Department (see photo 3).

### Advantages of crimping

- practical, quick contact fixing outside the insulator
- possible use at high temperature
- no risk of heating the insulator during the conductor-contact fixing
- high tensile strength

Crimp contacts are available in standard version (form 1) for mounting maximum size conductors.

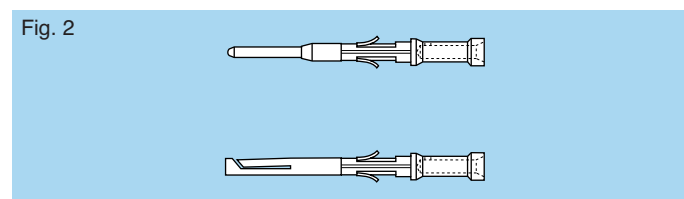
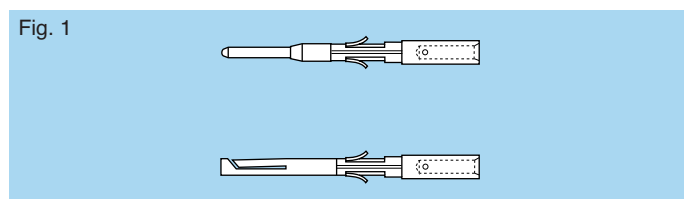
For some dimensions, these crimp contacts can be produced with reduced crimp barrels (form 2) for mounting reduced size conductors.



### Crimp contacts

The crimp contacts can be with two forms: a standard crimp barrel for large conductors (see fig. 1) or with a reduced crimp barrel for smaller conductors (see fig. 2).

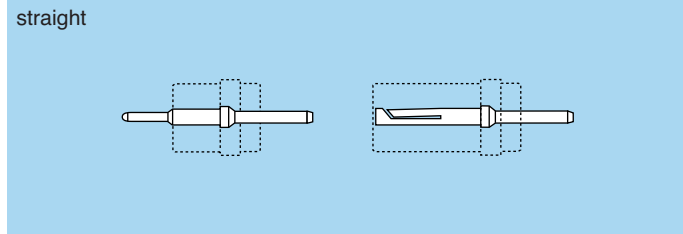
The range of cable dimensions that can be crimped into our contacts are indicated on the table on page 8.



## Print contacts

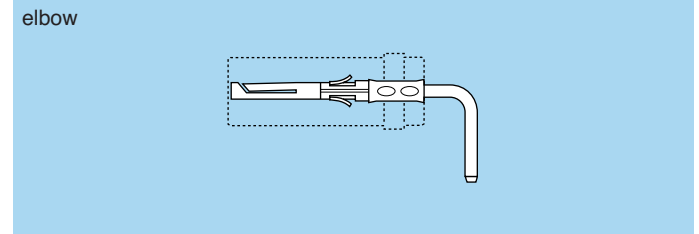
Print contacts are available in straight or elbow versions for certain connector types, mostly for straight and elbow socket models. Connection is made on flexible or rigid printed circuits by soldering.

Straight print contacts are gold-plated which guarantees optimum soldering, even after long-term storage. However



for wave soldering, we recommend removal the gold-plating from the contact end on the printed circuit side before soldering according to the assembly procedures.

Print elbow contacts include a tinned lead free brass wire crimped into a crimp contact.



## Test voltage

Test voltage ( $U_e$ ) :  
(measured according to the IEC 60512-2 test 4a standard)

It corresponds to 75% of the mean breakdown voltage.  
Test voltage is applied at 500 V/s and the test duration is 1 minute.

This test has been carried out with a mated plug and socket, with power supply only on the plug end.

Operating voltage ( $U_s$ ) :  
It is proposed according to the following ratio :  $U_s = \frac{U_e}{3}$

**Caution:**  
**For a number of applications, safety requirements for electrical appliances are more severe with regard to operating voltage. In such cases operating voltage is defined according to creepage distance and air clearance) between live parts. Please consult us for the choice of a connector by indicating the safety standard to be met by the product.**

Voltage values are given in the table on insulator types for each series.

They correspond with values measured at sea level. They are adapted to all applications up to an altitude of 2000 m.

In case a device is used at a higher altitude, air clearance between live parts has to be multiplied by the following coefficients.

It means also that test voltage has to be divided by this coefficient.

altitude (m)	coefficient
2000	1.00
3000	1.14
4000	1.29
5000	1.48

## Rated current

(measured according to IEC 60512-3 test 5a)

The specified rated current can be applied simultaneously to all the contacts.  
It corresponds with an average temperature rise of 40°C of the connector.

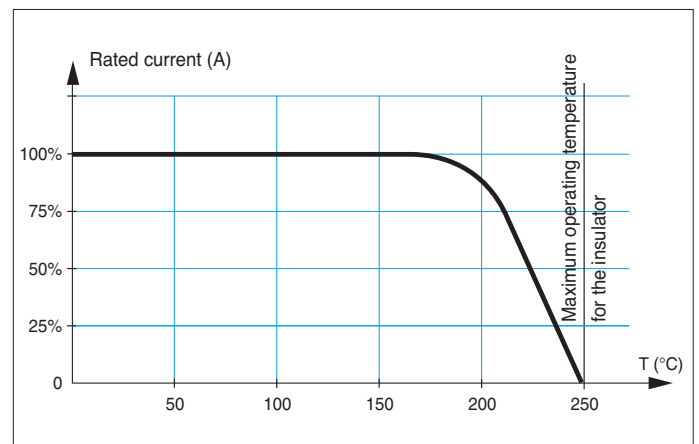
The current values are indicated in the table of insulator types in each series.

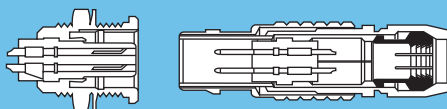
For use at higher temperatures acceptable rated current will be lower. It tends towards zero as the material is used at the maximum operating temperature accepted for the insulator.

In most case the current depend on the conductor dimension (see table on page 196) or on the printed circuit dimension.

**Caution:**  
**In general, connectors should not be unmated while live.**

For connectors with PEEK insulator, maximum admissible current will follow the curve below depending on the operating temperature T.





## Cable fixing

Cables are fixed into LEMO connectors with cable collet systems. These collets with latches have a design which is very similar to those used for tool machines. This solution guarantees excellent cable retention and ensures perfectly symmetrical deformation of the cable.

The 00 multipole series is also available with hexagonal crimping (MIL-C-22520F).

## Material and treatment

Component	Material (standard)	Surface treatment ( $\mu\text{m}$ )				
		Nickel <sup>1)</sup>		Gold		
		Cu	Ni	Cu	Ni	Au
Center piece	Brass (UNS C 38500)	0.5	3	–	–	–
Collet	Brass (UNS C 38500)	0.5	3	–	–	–
Crimp ferrule	Copper (UNS C 18700)	0.5	3	0.5	3	0.5
Reducer	Brass (UNS C 38500)	0.5	3	–	–	–
Reducing cone	Brass (UNS C 38500)	0.5	3	–	–	–
Earthing cone	Brass (UNS C 38500)	0.5	3	–	–	–
Metal washer	Brass (UNS C 38500)	0.5	3	–	–	–
Gasket	Silicone MQ/MVQ	–				
	FPM (Viton®) <sup>2)</sup>	–				

### Notes:

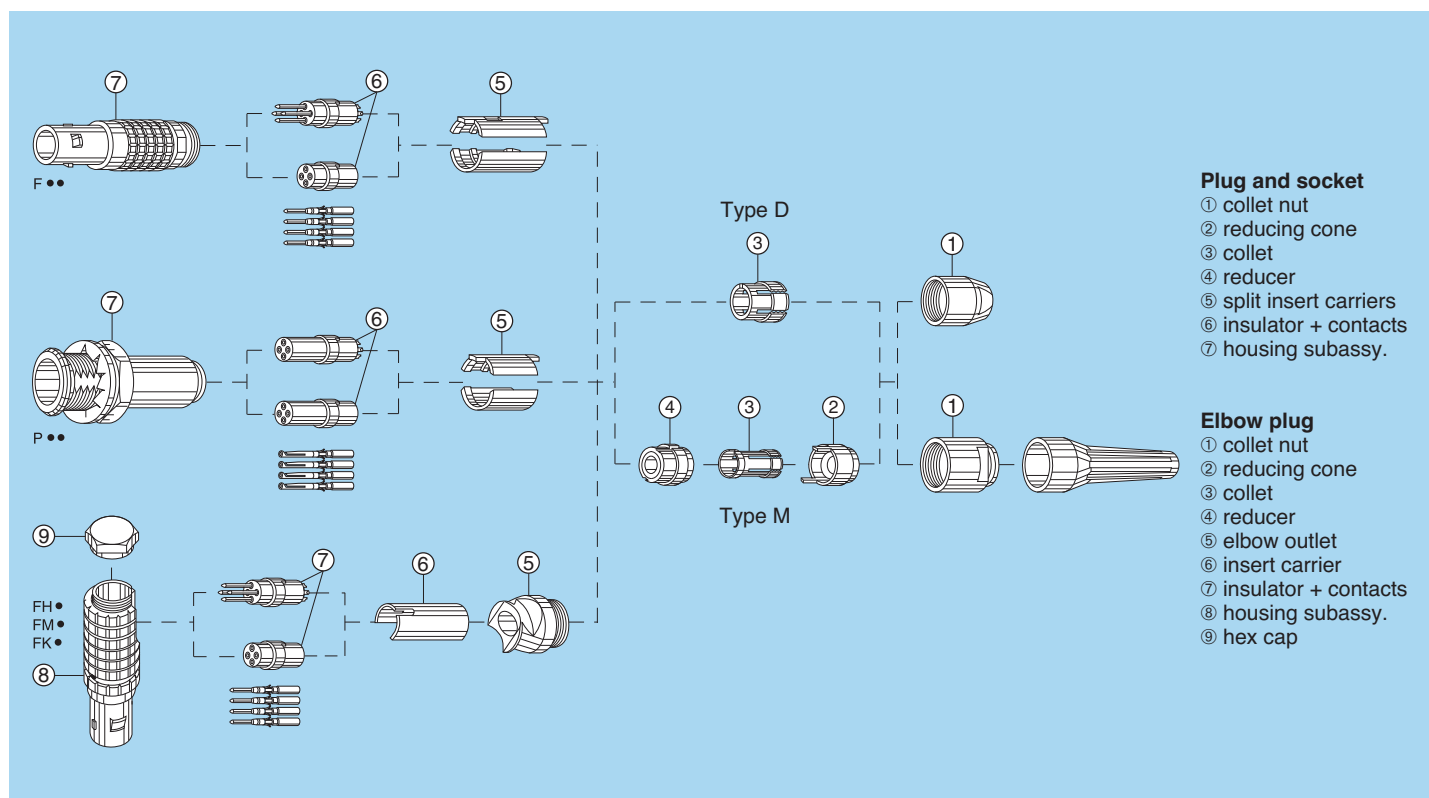
<sup>1)</sup> standards for surface treatment are as follows:  
– nickel-plated: SAE AMS QQ N 290.

<sup>2)</sup> available upon special request.

## Cable clamping system

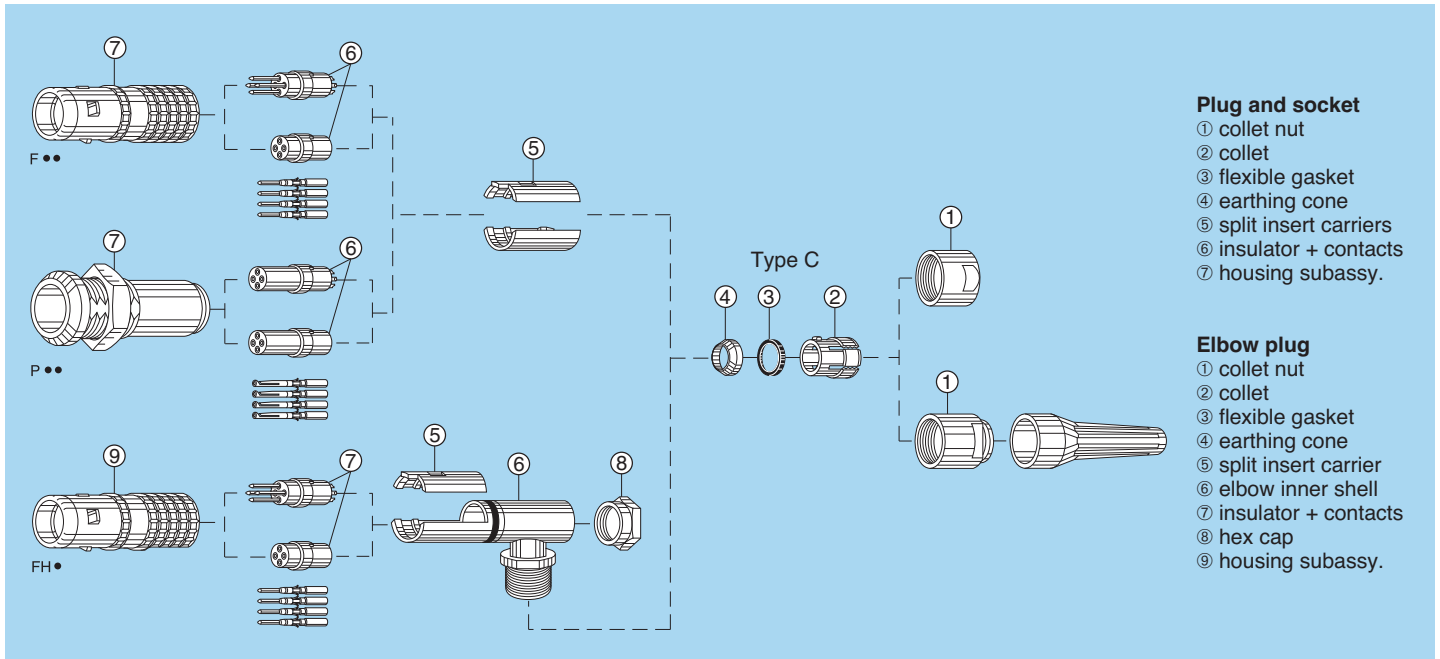
### B series (D and M cable clamping)

See assembly instructions under [www.lemo.com](http://www.lemo.com).



## K series (C and K cable clamping)

See assembly instructions under [www.lemo.com](http://www.lemo.com).

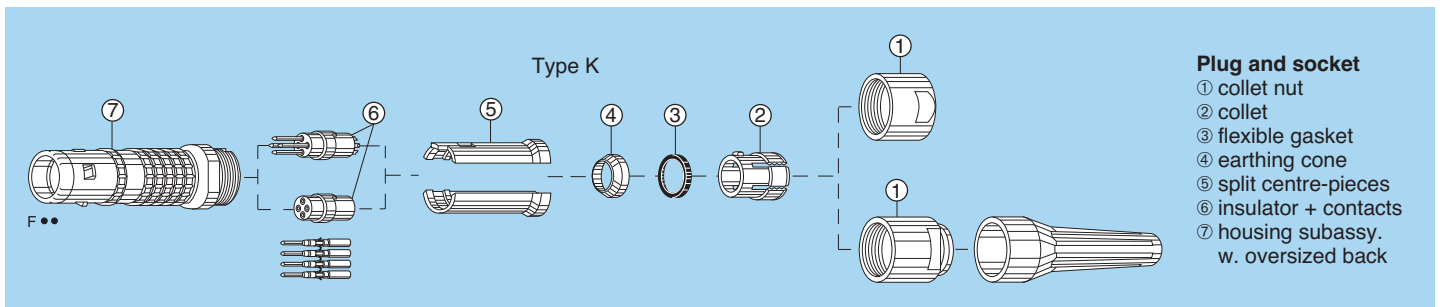


### Plug and socket

- ① collet nut
- ② collet
- ③ flexible gasket
- ④ earthing cone
- ⑤ split insert carriers
- ⑥ insulator + contacts
- ⑦ housing subassy.

### Elbow plug

- ① collet nut
- ② collet
- ③ flexible gasket
- ④ earthing cone
- ⑤ split insert carrier
- ⑥ elbow inner shell
- ⑦ insulator + contacts
- ⑧ hex cap
- ⑨ housing subassy.

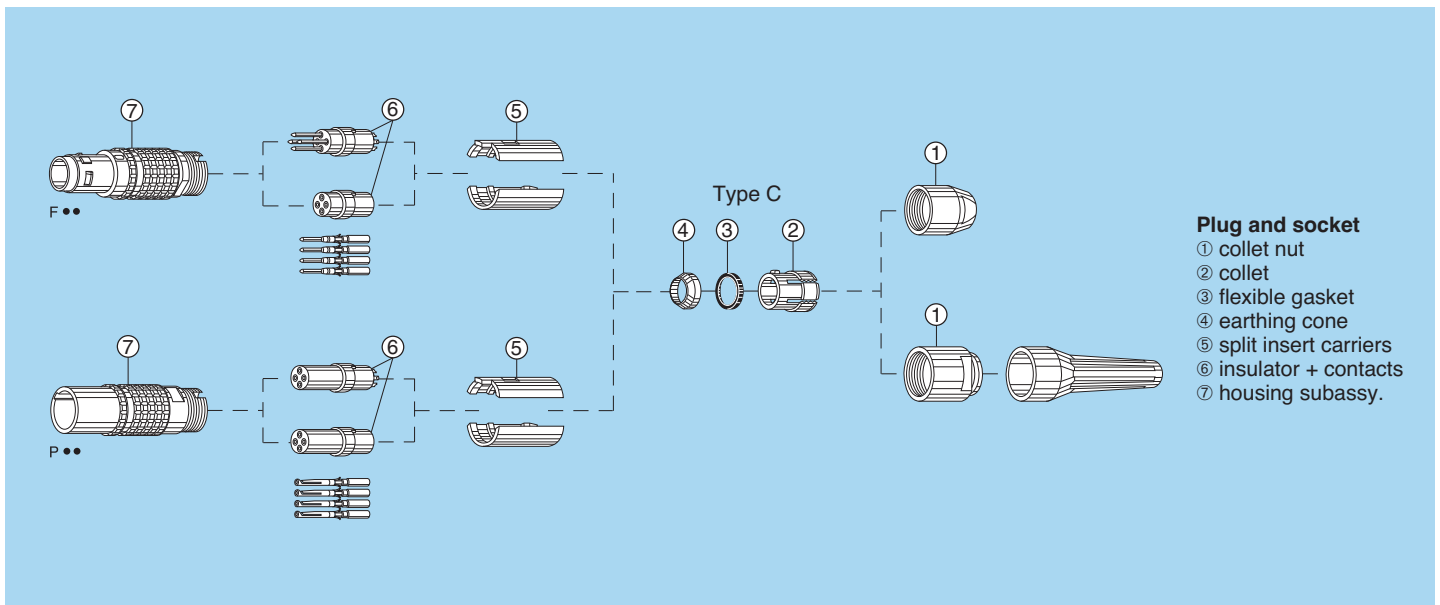


### Plug and socket

- ① collet nut
- ② collet
- ③ flexible gasket
- ④ earthing cone
- ⑤ split centre-pieces
- ⑥ insulator + contacts
- ⑦ housing subassy.
- w. oversized back

## T series (C cable clamping)

See assembly instructions under [www.lemo.com](http://www.lemo.com).

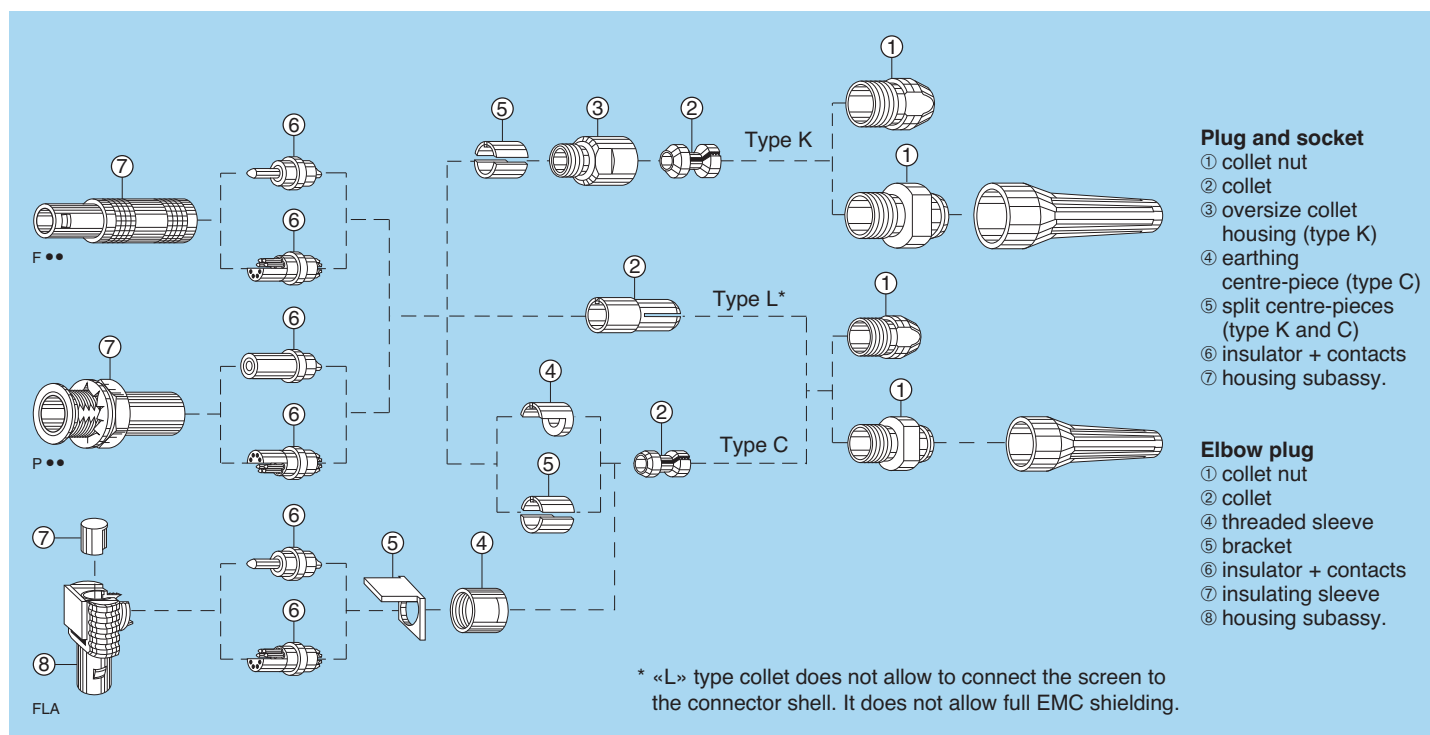


### Plug and socket

- ① collet nut
- ② collet
- ③ flexible gasket
- ④ earthing cone
- ⑤ split insert carriers
- ⑥ insulator + contacts
- ⑦ housing subassy.

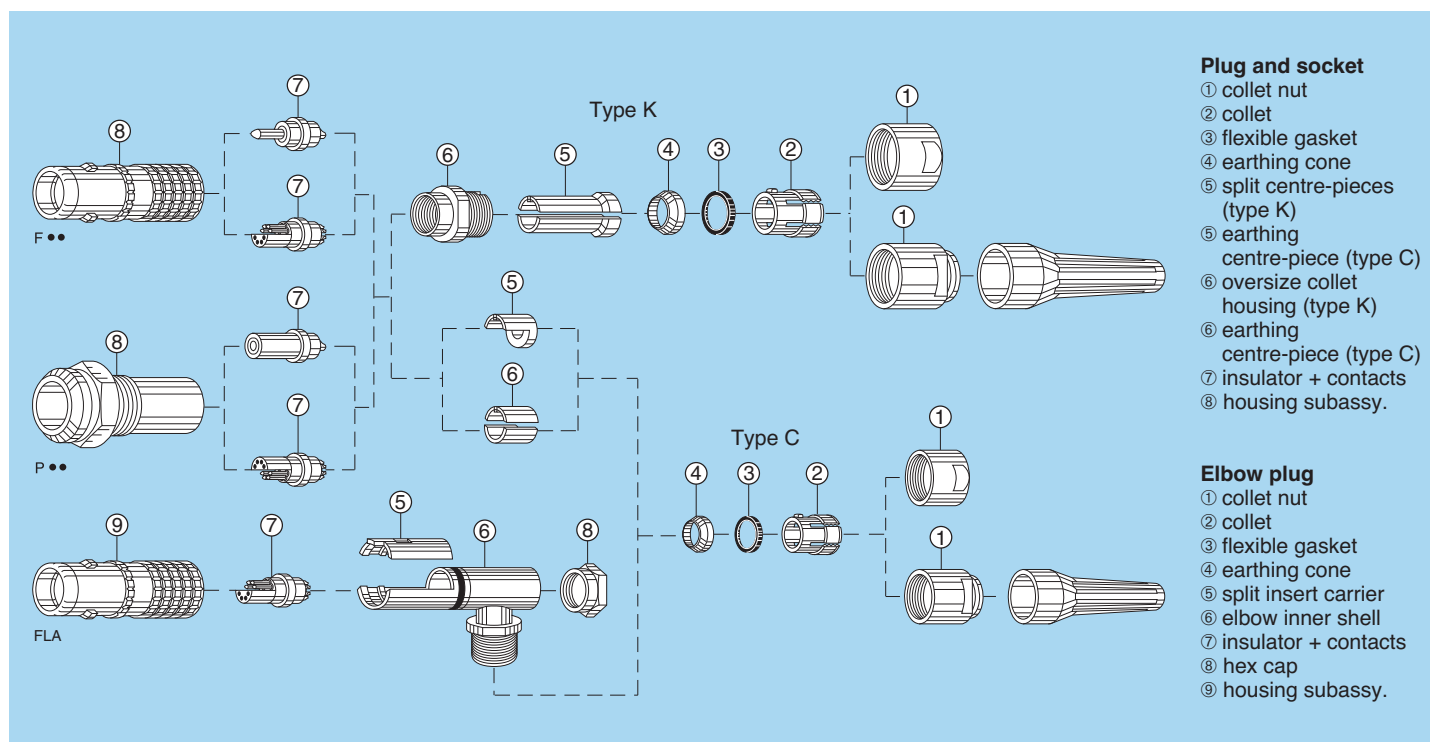
## S series (C, L and K cable clamping)

See assembly instructions under [www.lemo.com](http://www.lemo.com).



## E series (C and K cable clamping)

See assembly instructions under [www.lemo.com](http://www.lemo.com).



## Maximum metal collet nut tightening torque

### Standard series

	Series							
	00	0S	1S	2S	3S	4S	5S	6S
Torque (Nm)	0.25	0.5	1.5	2.5	3	8	10	12

### Keyed series

	Series							
	00	0B	1B	XB	2B	3B	4B	5B
Torque (Nm)	0.25	0.5	1.5	2.0	2.5	4	7	10

## Maximum elbow plug hex cap tightening torque

### Keyed series

	Series						
	00	0B	1B	2B	3B	4B	5B
Torque (Nm)	0.2	0.25	0.5	0.5	1.5	3	5

## Maximum plastic collet nut tightening torque <sup>1)</sup>

	Series								
	00	0S	1S	2S	3S	1B	2B	3B	4B
Torque (Nm)	0.15	0.45	0.50	0.50	1.00	0.50	0.50	1.00	1.50

**Note:**

<sup>1)</sup> For applications subject to strong vibration, we recommend fixing the collet nut with epoxy resin. We recommend to tight to the maximum value. Optimal torque may depend on cable jacket design.

### Watertight series

	Series						
	0E	1E	2E	3E	4E	5E	6E
Torque (Nm)	0.7	0.8	2	3	5	8	12

### Watertight keyed series

	Series										
	TT	0K	0T	1K	1T	2K	2T	3K	3T	4K	5K
Torque (Nm)	0.25	0.7	0.7	0.8	0.8	2	2	3	3	5	8

### Watertight series

	Series					
	0E	1E	2E	3E	4E	5E
Torque (Nm)	0.8	1	1.2	1.5	3	5

### Watertight keyed series

	Series					
	0K	1K	2K	3K	4K	5K
Torque (Nm)	0.8	1	1.2	1.5	3	5

1N = 0.102 kg

## Technical tables

### Table of American Wire Gauge

AWG	Construction		ø wire max		Wire section	
	Strand nb	AWG/strand	(mm)	(in)	(mm <sup>2</sup> )	(sq in)
0	259	24	11.277	0.444	52.90	0.0820
1	817	30	9.702	0.382	41.40	0.0641
2	259	26	8.89	0.35	33.20	0.0514
4	133	25	6.9596	0.274	21.5925	0.0335
6	133	27	5.5118	0.217	13.5885	0.0211
8	168	30	4.4450	0.175	8.5127	0.0132
8	133	29	4.3942	0.173	8.6053	0.0133
10	105	30	3.3020	0.13	5.3204	0.0082
10	37	26	2.9210	0.115	4.7397	0.0073
10	1	10	2.6162	0.103	5.2614	0.0082
12	37	28	2.3114	0.091	2.9765	0.0046
12	19	25	2.3622	0.093	3.0847	0.0048
12 <sup>1)</sup>	7	20	2.5400	0.10	3.6321	0.0056
12	1	12	2.0828	0.082	3.3081	0.0051
14	41	30	2.0574	0.081	2.0775	0.0032
14	19	27	1.8542	0.073	1.9413	0.0030
14 <sup>1)</sup>	7	22	2.0828	0.082	2.2704	0.0035
14	1	14	1.6510	0.065	2.0820	0.0032
16 <sup>1)</sup>	65	34	1.5748	0.062	1.3072	0.0020
16	26	30	1.5748	0.062	1.3174	0.0020
16	19	29	1.4986	0.059	1.2293	0.0019
16 <sup>1)</sup>	7	24	1.5494	0.061	1.4330	0.0022
16	1	16	1.3208	0.052	1.3076	0.0020
18 <sup>1)</sup>	65	36	1.2700	0.05	0.8234	0.0013
18 <sup>1)</sup>	42	34	1.2700	0.05	0.8447	0.0013
18	19	30	1.3208	0.052	0.9627	0.0015
18	16	30	1.2954	0.051	0.8107	0.0013
18	7	26	1.2700	0.05	0.8967	0.0014
18	1	18	1.0414	0.041	0.8229	0.0013

AWG	Construction		ø wire max		Wire section	
	Strand nb	AWG/strand	(mm)	(in)	(mm <sup>2</sup> )	(sq in)
20 <sup>1)</sup>	42	36	1.0160	0.04	0.5320	8.2x10 <sup>-4</sup>
20	19	32	1.0414	0.041	0.6162	0.0010
20	10	30	1.0160	0.04	0.5067	7.9x10 <sup>-4</sup>
20	7	28	0.9906	0.039	0.5631	8.7x10 <sup>-4</sup>
20	1	20	0.8382	0.033	0.5189	8.0x10 <sup>-4</sup>
22	19	34	0.8382	0.033	0.3821	5.9x10 <sup>-4</sup>
22	7	30	0.7874	0.031	0.3547	5.5x10 <sup>-4</sup>
22	1	22	0.6604	0.026	0.3243	5.0x10 <sup>-4</sup>
24 <sup>1)</sup>	42	40	0.6604	0.026	0.2045	3.2x10 <sup>-4</sup>
24	19	36	0.6858	0.027	0.2407	3.7x10 <sup>-4</sup>
24	7	32	0.6350	0.025	0.2270	3.5x10 <sup>-4</sup>
24	1	24	0.5588	0.022	0.2047	3.2x10 <sup>-4</sup>
26	19	38	0.5588	0.022	0.1540	2.4x10 <sup>-4</sup>
26	7	34	0.5080	0.02	0.1408	2.2x10 <sup>-4</sup>
26	1	26	0.4318	0.017	0.1281	2.0x10 <sup>-4</sup>
28 <sup>1)</sup>	19	40	0.4318	0.017	0.0925	1.4x10 <sup>-4</sup>
28	7	36	0.4064	0.016	0.0887	1.4x10 <sup>-4</sup>
28	1	28	0.3302	0.013	0.0804	1.2x10 <sup>-4</sup>
30	7	38	0.3302	0.013	0.0568	8.8x10 <sup>-5</sup>
30	1	30	0.2794	0.011	0.0507	7.9x10 <sup>-5</sup>
32	7	40	0.2794	0.011	0.0341	5.3x10 <sup>-5</sup>
32	1	32	0.2286	0.009	0.0324	5.0x10 <sup>-5</sup>
34	1	34	0.1693	0.007	0.0201	3.1x10 <sup>-5</sup>
36	1	36	0.127	0.005	0.0127	2.0x10 <sup>-5</sup>
38	1	38	0.1016	0.004	0.0081	1.3x10 <sup>-5</sup>
40	1	40	0.078	0.003	0.0049	7.5x10 <sup>-6</sup>

**Note:** <sup>1)</sup> not included in the standard

**Table of wire gauges according to IEC-60228 standard**

Conductor no x Ø (mm)	Max Ø (mm)	Max Ø (in)	Section (mm <sup>2</sup> )	Section (sq in)
196x0.40	7.50	0.295	25.00	0.0387
7x2.14	6.10	0.240	25.00	0.0387
125x0.40	6.00	0.236	16.00	0.0248
7x1.72	4.90	0.192	16.00	0.0248
1x4.50	4.50	0.177	16.00	0.0248
80x0.40	4.70	0.155	10.00	0.0155
7x1.38	3.95	0.155	10.00	0.0155
1x3.60	3.60	0.141	10.00	0.0155
84x0.30	3.70	0.145	6.00	0.0093
7x1.50	3.15	0.124	6.00	0.0093
1x2.76	2.76	0.108	6.00	0.0093
56x0.30	2.80	0.110	4.00	0.0062
7x0.86	2.58	0.098	4.00	0.0062
1x2.25	2.25	0.082	4.00	0.0062
50x0.25	2.15	0.084	2.50	0.0038
7x0.68	2.04	0.080	2.50	0.0038
1x1.78	1.78	0.070	2.50	0.0038
30x0.25	1.60	0.062	1.50	0.0023
7x0.52	1.56	0.061	1.50	0.0023

Conductor no x Ø (mm)	Max Ø (mm)	Max Ø (in)	Section (mm <sup>2</sup> )	Section (sq in)
1x1.40	1.40	0.055	1.50	0.0023
32x0.20	1.35	0.053	1.00	0.0015
7x0.43	1.29	0.050	1.00	0.0015
1x1.15	1.15	0.045	1.00	0.0015
42x0.15	1.20	0.047	0.75	0.0011
28x0.20	1.15	0.045	0.75	0.0011
1x1.00	1.00	0.039	0.75	0.0011
28x0.15	0.95	0.037	0.50	7.7x10 <sup>-4</sup>
16x0.20	0.90	0.035	0.50	7.7x10 <sup>-4</sup>
1x0.80	0.80	0.031	0.50	7.7x10 <sup>-4</sup>
7x0.25	0.75	0.029	0.34	5.2x10 <sup>-4</sup>
1x0.60	0.60	0.023	0.28	4.3x10 <sup>-4</sup>
14x0.15	0.75	0.029	0.25	3.8x10 <sup>-4</sup>
7x0.20	0.65	0.023	0.22	3.4x10 <sup>-4</sup>
18x0.10	0.50	0.019	0.14	2.1x10 <sup>-4</sup>
14x0.10	0.40	0.015	0.11	1.7x10 <sup>-4</sup>
21x0.07	0.40	0.015	0.09	1.3x10 <sup>-4</sup>
14x0.10	0.40	0.015	0.09	1.3x10 <sup>-4</sup>

**Maximum current rating for conductor**

Maximum current on insulated conductors up to an ambient temperature of 30° C (from VDE 0100, parts 430 and 532 as well as other VDE regulations).

Nominal section mm <sup>2</sup>	Group 2 Intens. max. A	Group 3 Intens. max. A
0.08	1.0	1.5
0.14	2.0	3.0
0.25	4.0	5.0
0.34	6.0	8.0
0.50	9.0	12.0
0.75	12.0	15.0
1.00	15.0	19.0
1.50	18.0	24.0
2.50	26.0	32.0

Group 2 Multi-conductor, e. g. solid cable under sheath, shielded cable, lead-sheath cables, ...  
 Group 3 Single conductor and single conductor cable laid on open air in a way to leave at least a space between them equal to their diameter



### Some formulae

Resistance R of a conductor:  $R = \rho \cdot \frac{l}{A} [\Omega]$

Where:  $\rho$  = conductor resistivity  
 $l$  = conductor length  
 $A$  = conductor cross-section

Impedance of coaxial line:  $Z = \frac{138}{\sqrt{\epsilon_r}} \cdot \log \frac{D}{d} [\Omega]$

$\epsilon_r$  = dielectric constant  
 $D$  = dielectric outer diameter  
 $d$  = center conductor outer diameter

Signal attenuation: Attenuation =  $20 \cdot \log \frac{U_1}{U_2} [\text{dB}]$

$U_1$  = input signal voltage  
 $U_2$  = output signal voltage

### Conversion of some units:

millimeters into inches:	1 mm = 0.0394 in
inches into millimeters:	1 in = 25.4 mm
centimeters into feet:	1 cm = 0.0328 ft
feet (12 in) into centimeters:	1 ft = 30.48 cm
square centimeters into square inches:	1 cm <sup>2</sup> = 0.155 sq in
square inches into square centimeters:	1 sq in = 6.4516 cm <sup>2</sup>
bar into pounds per square inch:	1 bar = 14.51 psi
bar into Pascal:	1 bar = 10 <sup>5</sup> Pa
°C into °F:	°F = °C • 1.8 + 32
newtonmeter (Nm) into inch pound (in•lb)	1 Nm = 8.85 in•lb
mbar•l•s <sup>-1</sup> into Torr•l•s <sup>-1</sup>	1 mbar•l•s <sup>-1</sup> = 1.33 Torr•l•s <sup>-1</sup>

## Product safety notice

**PLEASE READ AND FOLLOW ALL INSTRUCTIONS CAREFULLY AND CONSULT ALL RELEVANT NATIONAL AND INTERNATIONAL SAFETY REGULATIONS FOR YOUR APPLICATION. IMPROPER HANDLING, CABLE ASSEMBLY, OR WRONG USE OF CONNECTORS CAN RESULT IN HAZARDOUS SITUATIONS.**

### 1. SHOCK AND FIRE HAZARD

Incorrect wiring, the use of damaged components, presence of foreign objects (such as metal debris), and / or residue (such as cleaning fluids), can result in short circuits, overheating, and / or risk of electric shock.

Mated components should never be disconnected while live as this may result in an exposed electric arc and local overheating, resulting in possible damage to components.

### 2. HANDLING

Connectors and their components should be visually inspected for damage prior to installation and assembly. Suspect components should be rejected or returned to the factory for verification.

Connector assembly and installation should only be carried out by properly trained personnel. Proper tools must be used during installation and / or assembly in order to obtain safe and reliable performance.

### 3. USE


Connectors with exposed contacts should never be live (or on the current supply side of a circuit). Under general conditions voltages above 30 VAC and 42 VDC are considered hazardous and proper measures should be taken to eliminate all risk of transmission of such voltages to any exposed metal part of the connector.


### 4. TEST AND OPERATING VOLTAGES

The maximum admissible operating voltage depends upon the national or international standards in force for the application in question. Air and creepage distances impact the operating voltage; reference values are indicated in the catalog however these may be influenced by PC board design and / or wiring harnesses.

The test voltage indicated in the catalog is 75% of the mean breakdown voltage; the test is applied at 500 V/s and the test duration is 1 minute.

### 5. CE MARKING

CE marking  means that the appliance or equipment bearing it complies with the protection requirements of one or several European safety directives.

CE marking  applies to complete products or equipment, **but not to electromechanical components, such as connectors.**

### 6. PRODUCT IMPROVEMENTS

The LEMO Group reserves the right to modify and improve to our products or specifications without providing prior notification.

### 7. **WARNING (Prop 65 State of California)**

This product may contain one or more substances or chemicals known to the state of California to cause cancer.

## Disclaimers

LEMO works constantly to improve the quality of its products; the information and illustrations figuring in this document may therefore vary and are not binding. In any case, LEMO makes no specific warranty of merchantability, fitness for a particular purpose, third party components as such or included in assembly, non-infringement, title, accuracy, completeness, or security. The user is fully responsible for his products and applications using LEMO component.

In no event shall LEMO, its affiliates, officers, agents or employees be liable for any incidental, indirect, special or consequential damages in connection with the products or services provided by LEMO, including (without limitation) loss of profits or revenues, interruption of business, loss of use of the products or any associated equipment, materials, components or products, damages to associated equipment or in combination with other components, materials.

Reproduction of significant portions of LEMO information in LEMO data books or data sheets is permissible only if reproduction is without alteration and is accompanied by all associated warranties, conditions, limitations, and notices. LEMO is not responsible or liable for such altered documentation. Information of third parties may be subject to additional restrictions.

**Notes**

# LEMO complete product range

	B	S	K	T	E	F	00	01	0A	3T	4A	4M	3K.93C	1D	Y	05	5G	2G	2C	L	H	M	R	N	03	V	W	T7	P	D	K/S	01	DIN	
Unipole		•			•																													
Multipole	•	•	•	•	•																													
Coaxial 50 Ω																																		
Coaxial 75 Ω																																		
Multi Coaxial																																		
Mixed Coax + LV																																		
Triaxial 50 Ω																																		
Triaxial 75 Ω																																		
Mixed Triax + LV																																		
Quadrax																																		
High Voltage																																		
Multi High Voltage																																		
Mixed HV + LV																																		
Fibre Optic																																		
Multi Fibre Optic																																		
Mixed FO + LV																																		
Thermocouple																																		
Fluidic																																		
Multi Fluidic																																		
Mixed Fluidic + LV																																		

Most frequently used in darker colour

• included in this catalogue

B Series Keyed	S Series	K Series Keyed	T Series	E Series	F Series Keyed	00 Series
01 Series	0A Series	3T Series	4A Series	4M Series Keyed	3K.93C Series Keyed	1D Series
Y Series	05 Series	5G Series Keyed	2G Series Keyed	2C Series	L Series Keyed	H Series
M Series Keyed	R Series Keyed	N Series Keyed	03 Series Keyed	V Series	W Series Keyed	Cable assembly
REDEL T7 Series	REDEL P Series Keyed	REDEL D Series	01 Series Keyed	VAA Series	SAA Series	TAA Series

No reproduction or use without express permission of editorial or pictorial content, in any manner.  
LEMO SA reserves the right to modify and improve specifications, at all times, without any notification.

## LEMO HEADQUARTERS

### SWITZERLAND

#### LEMO SA

Chemin des Champs-Courbes 28 - P.O. Box 194 - CH-1024 Ecublens  
Tel. (+41 21) 695 16 00 - Fax (+41 21) 695 16 02 - e-mail: info@lemo.com

## LEMO SUBSIDIARIES

### AUSTRIA

#### LEMO Elektronik GesmbH

Lemböckgasse 49/E6-3  
1230 Wien  
Tel: (+43 1) 914 23 20 0  
Fax: (+43 1) 914 23 20 11  
sales@lemo.at

### BRAZIL

#### LEMO Latin America Ltda

Av. José Rocha Bonfim,  
214 Salas 224 / 225  
Condomínio Praça Capital  
Ed. Chicago  
Campinas / SP - Brasil 13080-650  
Tel: +55 (11) 98689 4736  
info-la@lemo.com

### CANADA

#### LEMO Canada Inc

44 East Beaver Creek Road, unit 20  
Richmond Hill, Ontario L4B 1G8  
Tel: (+1 905) 889 56 78  
Fax: (+1 905) 889 49 70  
info-canada@lemo.com

### CHINA / HONG KONG

#### LEMO Electronics (Shanghai) Co., Ltd

First Floor, Block E,  
18 Jindian Road, Pudong  
Shanghai, China, 201206  
Tel: (+86 21) 5899 7721  
Fax: (+86 21) 5899 7727  
cn.sales@lemo.com

### DENMARK

#### LEMO Denmark A/S

Nybrovej 97  
2820 Gentofte  
Tel: (+45) 45 20 44 00  
Fax: (+45) 45 20 44 01  
info-dk@lemo.com

### FRANCE

#### LEMO France Sàrl

24/28 Avenue Graham Bell  
Bâtiment Balthus 4  
Bussy Saint Georges  
77607 Marne la Vallée Cedex 3  
Tel: (+33 1) 60 94 60 94  
Fax: (+33 1) 60 94 60 90  
info-fr@lemo.com

### GERMANY

#### LEMO Elektronik GmbH

Hanns-Schwindt-Str. 6  
81829 München  
Tel: (+49 89) 42 77 03  
Fax: (+49 89) 420 21 92  
info@lemo.de

### HUNGARY

#### REDEL Elektronika Kft

Nagysándor József u. 6-12  
1201 Budapest  
Tel: (+36 1) 421 47 10  
Fax: (+36 1) 421 47 57  
info-hu@lemo.com

### ITALY

#### LEMO Italia srl

Viale Lunigiana 25  
20125 Milano  
Tel: (+39 02) 66 71 10 46  
Fax: (+39 02) 66 71 10 66  
sales.it@lemo.com

### JAPAN

#### LEMO Japan Ltd

2-7-22, Mita,  
Minato-ku, Tokyo, 108-0073  
Tel: (+81 3) 54 46 55 10  
Fax: (+81 3) 54 46 55 11  
lemoinfo@lemo.co.jp

### MIDDLE EAST

#### LEMO Middle East Gen. Trad. LLC

Concorde Tower 6th Floor,  
Dubai Media City, P.O. Box 126732  
Dubai, United Arab Emirates  
Tel: +971 55 222 36 77  
info-me@lemo.com

### NETHERLANDS / BELGIUM

#### LEMO Connectors Benelux

De Trompet 1060  
1967 DA Heemskerk  
Tel: (+31) 251 25 78 20  
Fax (+31) 251 25 78 21  
info@lemo.nl

### NORWAY / ICELAND

#### LEMO Norway A/S

Soerumsandvegen 69,  
1920 Soerumsand  
Tel: (+47) 22 91 70 40  
Fax: (+47) 22 91 70 41  
info-no@lemo.com

### SINGAPORE

#### LEMO Asia Pte Ltd

4 Leng Kee Road,  
#06-09 SiS Building  
Singapore 159088  
Tel: (+65) 6476 0672  
Fax: (+65) 6474 0672  
sg.sales@lemo.com

### SPAIN / PORTUGAL

#### IBERLEMO SAU

Brasil, 45, 08402 Granollers  
Barcelona  
Tel: (+34 93) 860 44 20  
Fax: (+34 93) 879 10 77  
info-es@lemo.com

### SWEDEN / FINLAND

#### LEMO Nordic AB

Gunnebogatan 30, Box 8201  
163 08 Spånga  
Tel: (+46 8) 635 60 60  
Fax: (+46 8) 635 60 61  
info-se@lemo.com

### SWITZERLAND

#### LEMO Verkauf AG

Grundstrasse 22 B, 6343 Rotkreuz  
Tel: (+41 41) 790 49 40  
ch.sales@lemo.com

### UNITED KINGDOM

#### LEMO UK Ltd

12-20 North Street, Worthing,  
West Sussex, BN11 1DU  
Tel: (+44 1903) 23 45 43  
lemouk@lemo.com

### USA

#### LEMO USA Inc

P.O. Box 2408  
Rohnert Park, CA 94927-2408  
Tel: (+1 707) 578 88 11  
(+1 800) 444 53 66  
Fax: (+1 707) 578 08 69  
info-US@lemo.com

## LEMO DISTRIBUTORS

ARGENTINA, AUSTRALIA, BRAZIL, CHILE, COLOMBIA, CZECH REPUBLIC,  
GREECE, INDIA, ISRAEL, NEW ZEALAND, PERU, POLAND, RUSSIA,  
SOUTH AFRICA, SOUTH KOREA, TAIWAN, TURKEY, UKRAINE

[www.lemo.com](http://www.lemo.com)



## X-ON Electronics

Largest Supplier of Electrical and Electronic Components

*Click to view similar products for [Wrenches](#) category:*

*Click to view products by [LEMO](#) manufacturer:*

Other Similar products are found below :

[74005](#) [74008](#) [G70515-24](#) [R282055000](#) [DCH.91.101.PN](#) [1406504-3](#) [1406504-4](#) [DCA.91.231.7TN](#) [1055265-1](#) [1055267-1](#) [1-1406504-0](#) [TA-0432](#) [600-006-12](#) [600-008-01](#) [600-141-6P](#) [600-146-02](#) [TG70-24](#) [TG82](#) [1055787-1](#) [DCH.91.251.PA](#) [TG70-18](#) [600-146-16](#) [600-146-03](#) [600-078-01](#) [1406504-1](#) [TG70](#) [1061789-1](#) [G62748-11](#) [DPH.99.005.2K](#) [DCP.91.045.TN](#) [1055512-1](#) [1055276-1](#) [R282303020](#) [TA-0456](#) [DCA.91.149.0TN](#) [TA-0436](#) [TA-0398](#) [TOL-222901](#) [64W022-001](#) [294GB-5069-17-N](#) [C2777-JT-JB5-1](#) [523200-4](#) [74\\_Z-0-0-663](#) [294GB-5070-25-A](#) [294GB-5070-17-A](#) [TOL-171801](#) [80117](#) [DCN.91.149.0TK](#) [MF10-T1](#) [R282202000](#)