

|            |            |
|------------|------------|
| LEAD STYLE | 30         |
| POST LGTH. | 0.230/5.84 |
|            | 0.318/8.08 |

|            |            |
|------------|------------|
| LEAD STYLE | 30         |
| POST LGTH. | 0.230/5.84 |
|            | 0.318/8.08 |

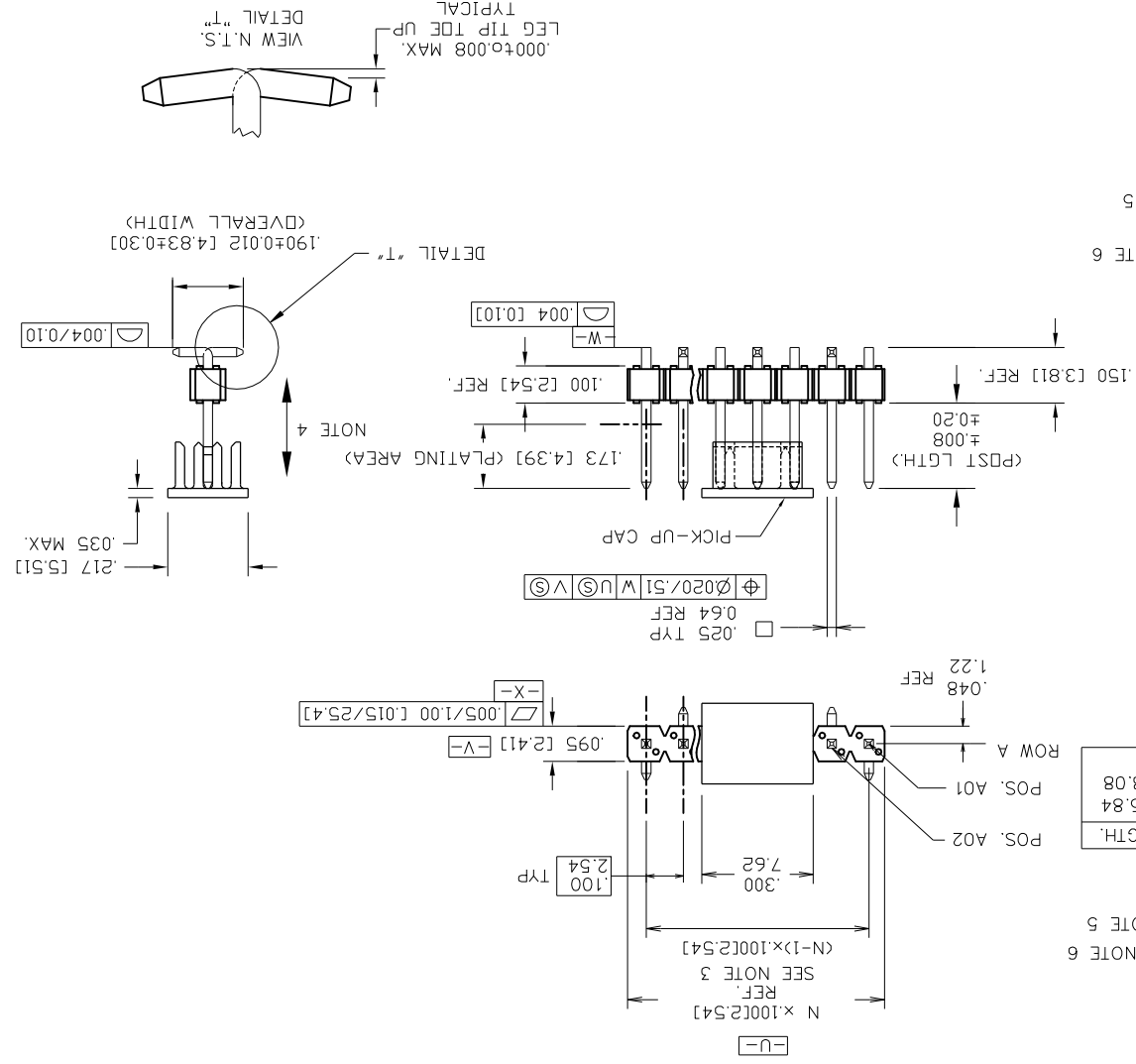
PRODUCT NUMBER  
54201 - X XX - XXX

PLATING  
S=15µ"/0.38µm GOLD ON  
CONTACT AREA (NOTE 13) 100µ"/  
2.54µm TIN ON TAIL  
G=30µ"/0.76µm GOLD ON  
CONTACT AREA (NOTE 13) 100µ"/  
2.54µm TIN ON TAIL  
T=100µ"/2.54µm TIN ON  
CONTACT AREA & ON TAIL  
(SEE NOTE 8 & 12)  
F=2µ"/0.05µm GOLD ON  
CONTACT AREA & ON TAIL

LEAD FREE PRODUCT NUMBER  
54201 - X XX XX - XXX LF

LEAD FREE  
NOTE 9 & 10  
POLARIZATION, SEE NOTE 6  
PACKAGING TYPE, NOTE 5  
POSITIONS PER ROW  
02 TO 17

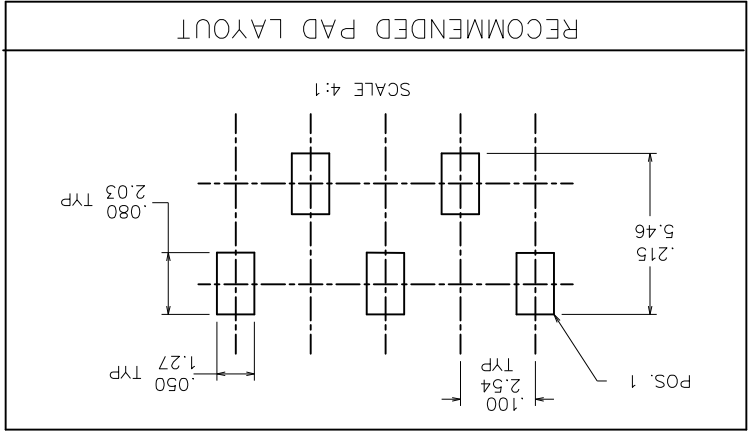
PLATING  
S=15µ"/0.38µm GOLD ON  
CONTACT AREA (NOTE 13) 100µ"/  
2.54µm TIN ON TAIL  
G=30µ"/0.76µm GOLD ON  
CONTACT AREA (NOTE 13) 100µ"/  
2.54µm TIN ON TAIL  
T=100µ"/2.54µm TIN ON  
CONTACT AREA & ON TAIL  
(SEE NOTE 8 & 12)  
F=2µ"/0.05µm GOLD ON  
CONTACT AREA & ON TAIL



|             |          |            |                  |                |                          |
|-------------|----------|------------|------------------|----------------|--------------------------|
| mat'l. code | surface  | tolerance  | projection       | product family | BERGSTIK                 |
| trn no      | dr       | date       | ISO 406          | product family | BERGSTIK                 |
| MT9/30/08   | DCS      | 2013-03-19 | linear           | projection     | product family           |
| 2017-05-09  | MZ       | 2017-05-09 | 0±.2°            | projection     | product family           |
| ELX-N-26942 | MZ       | 2017-05-09 | xxxx+020/xxx+05  | projection     | product family           |
| ELX-N-14294 | DCS      | 2013-03-19 | xxxx+005/xxx+013 | projection     | product family           |
| DR          | D.INGRAM | 05/11/99   | xxxx+01/xxx+03   | projection     | product family           |
| enr         | H.SUNDA  | 07/21/99   | xxxx+01/xxx+03   | projection     | product family           |
| chr         | H.SUNDA  | 07/21/99   | xxxx+01/xxx+03   | projection     | product family           |
| appd        | H.SUNDA  | 07/21/99   | xxxx+01/xxx+03   | projection     | product family           |
| sheet       | revision | sheet      | index            | dwg no         | 54201                    |
| 1           | 1        | 1          | 1                | type           | Product Customer Drawing |
| 1           | 1        | 1          | 1                | size           | A3                       |

TAPE AND REEL PACKAGING

|      |               |                     |
|------|---------------|---------------------|
| SIZE | LEAD STYLE 08 | POST (0.250 [5.84]) |
| 1X2  | YES           | NONE                |
| 1X3  |               |                     |
| 1X4  |               |                     |
| 1X5  |               |                     |
| 1X6  |               |                     |
| 1X7  |               |                     |
| 1X8  |               |                     |
| 1X9  |               |                     |
| 1X10 |               |                     |
| 1X11 |               |                     |
| 1X12 |               |                     |
| 1X13 |               |                     |
| 1X14 |               |                     |
| 1X15 |               |                     |
| 1X16 | ↑             |                     |
| 1X17 | YES           |                     |
| 1X18 | NONE          |                     |
| 1X19 | NONE          |                     |
| 1X20 | NONE          |                     |



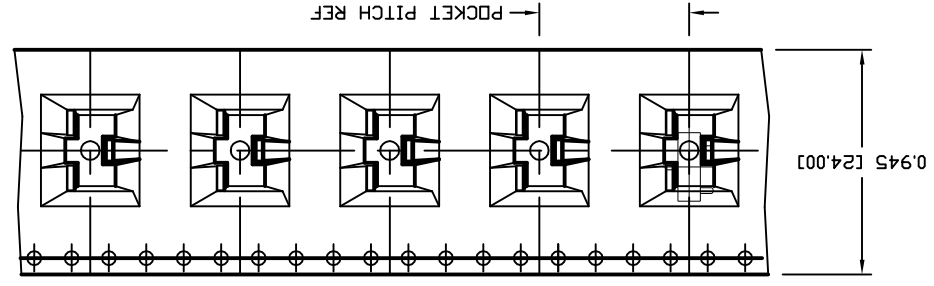
6 5 4 2 3 1

- NOTES:
- HOUSING MAT'L: HIGH TEMPERATURE THERMOPLASTIC. UL94V-0 COLOR: BLACK OR MINERAL FILLED LCP FLAME RETARDENT PER UL-94V-0. COLOR: BLACK.
  - PIN MATERIAL: PHOSPHOR-BRONZE
  - TO DETERMINE DIMENSIONS:  
N = NUMBER OF POSITIONS PER ROW.  
EXAMPLE: 10 POS., N x 100/2.54=1.00/25.4
  - 2LBS/0.9KG MIN. PIN RETENTION IN EITHER DIRECTION.
  - PACKAGING: - = POLY BAGS
  - TUBES WITH PICKUP CAPS.  
A = TAPE AND REEL WITH PICKUP CAPS.  
S = TAPE AND REEL WITH PICKUP CAPS (24MM WIDTH CARRIE TAPE).
  - FOR POLARIZATION, SPECIFY POSITION NUMBER (i.e., A03=ROW A POS. 3) TO OMIT PIN. IF THIS FEATURE IS NOT APPLICABLE, OMIT FROM PROD. NO.. PRODUCT MANAGEMENT APPROVAL IS REQUIRED PRIOR TO THE RELEASE OR SALE OF POLARIZED PRODUCTS.
  - UNDERPLATING: 50µ"/1.27µm Ni.  
8. PIN TIPS ON Sn PLATED PRODUCT MAY HAVE BARE METAL ON TOW SIDES, BOTH ENDS.
  - PART NUMBERS WITH "LF" AT THE END ARE LEAD FREE.
  - THIS PRODUCT MEETS EUROPEAN UNION DIRECTIVES AND OTHER COUNTRY REGULATION AS DESCRIBED IN GS-22-008.
  - THE HOUSING WILL WITHSTAND EXPOSURE TO 260°C PEAK TEMPERATURE FOR 20 SECONDS IN A CONNECTION, INFRARED OR VAPOR PHASE REFLOW OVEN. SEE APPLICATION NOTES/PROCEDURES IF THEY ARE AVAILABLE.
  - "THIS PRODUCT HAS 100% PURE TIN PLATING IN THE INTERFACE AND HAS NOT BEEN TESTED FOR WHISKER GROWTH IN ALL INTERCONNECT ENVIRONMENTS."
  - PLATING OPTIONS:  
MAY BE EITHER GOLD OR EXT PLATED AT MANUFACTURER'S OPTION.

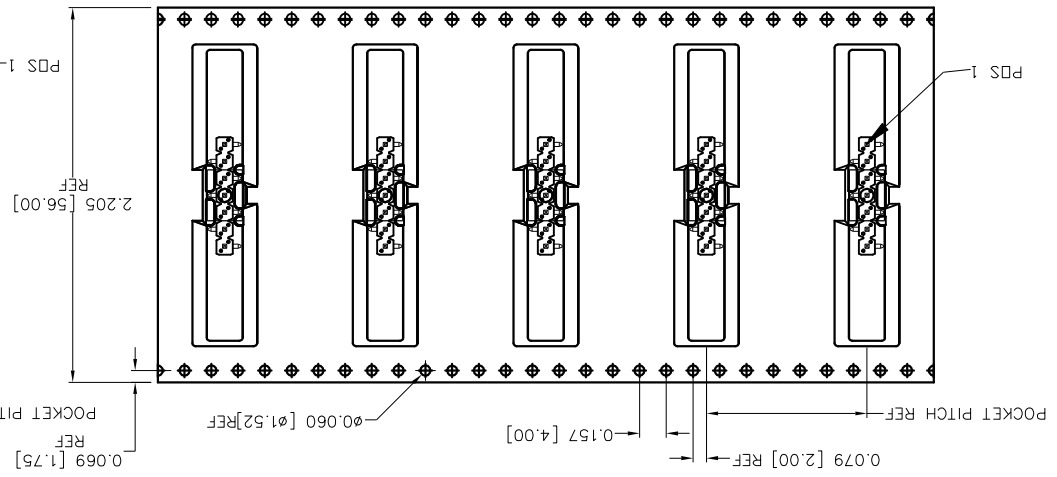
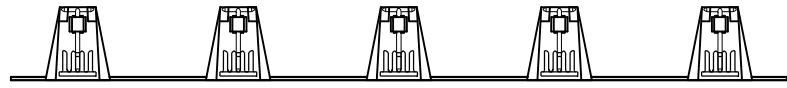
|             |          |                  |            |                                       |   |
|-------------|----------|------------------|------------|---------------------------------------|---|
| mat'l. code | surface  | tolerance        | projection | product family                        | BERGSTIK                                  |
| tr          | ecn no   | dr               | date       | tolerances unless otherwise specified | xx±.01/x±0.3                              |
| angles      | linear   | xxxx.005/xxxx013 | scale 1:1  | title                                 | .100 UNSHROUDED HDR. S/R VERT. SURF. MNT. |
| dr          | D'INGRAM | 05/11/99         | dwg no     | 54201                                 | sheet 2 of 3 size A3                      |
| enr         | H.SUN DY | 07/21/99         | type       | Product Customer                      | Drawing                                   |
| chr         | H.SUN DY | 07/21/99         | revision   | sheet                                 | index                                     |
| ppd         | H.SUN DY | 07/21/99         | revision   | sheet                                 | index                                     |

S4201-\*\*\*\*\*SLF  
SPECIAL REQUEST OF CARRIER TAPE

UN-REELING DIRECTION OF FEED

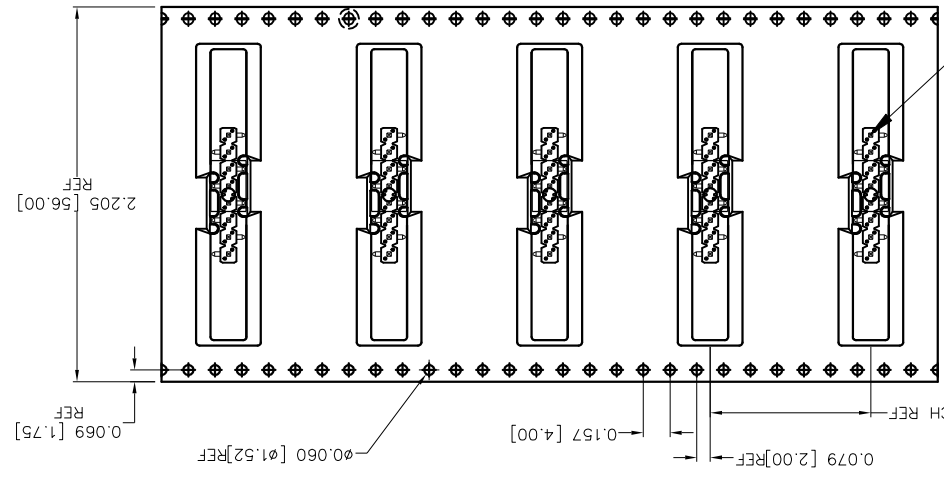
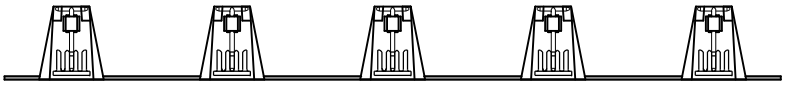


UN-REELING DIRECTION OF FEED



CARRIER FOR ODD NUMBERS OF ROWS

UN-REELING DIRECTION OF FEED



CARRIER FOR EVEN NUMBERS OF ROWS

|             |          |                   |                                       |                |  |
|-------------|----------|-------------------|---------------------------------------|----------------|--|
| mat'l. code | surface  | tolerance         | projection                            | product family | BERGSTIK                                     |
| tr ecn no   | dr       | date              | tolerances unless otherwise specified | title          | .100 UNSHROUDED HDR.<br>S/R VERT. SURF. MNT. |
| angles      | linear   | xx+.01/x+.03      | xx+.005/xxx+.013                      | INCH/MM        |  |
| 0±.2°       | 0±.2°    | xxxx+.020/xxx+.05 | xxxx+.020/xxx+.05                     | scale 1:1      |  |
| dr          | D.INGRAM | 05/11/99          | 05/11/99                              | dwg no         | 54201  |
| enr         | H.SUNDRY | 07/21/99          | 07/21/99                              | type           | Product Customer Drawing                     |
| chr         | H.SUNDRY | 07/21/99          | 07/21/99                              | sheet          | 3 of 3 size                                  |
| appd        | H.SUNDRY | 07/21/99          | 07/21/99                              | index          | sheet  |

## X-ON Electronics

Largest Supplier of Electrical and Electronic Components

*Click to view similar products for [Headers & Wire Housings](#) category:*

*Click to view products by [Amphenol](#) manufacturer:*

Other Similar products are found below :

[95000-104TRLF](#) [10135584-644402LF](#) [DF62W-EP2022PCA](#) [95000-106TRLF](#) [DF62W-2022SCA](#) [DF62W-EP2022PC](#) [2203348](#) [DF62W-2022SC](#) [1084018](#) [1029039](#) [1084017](#) [802-10-012-10-002000](#) [1112640](#) [1112639](#) [000-34000](#) [0009482033](#) [0009507031](#) [57102-S06-03LF](#) [57202-S52-04LF](#) [PCN6-15S-2.5E](#) [0039019024](#) [58102-G61-06LF](#) [582553-1](#) [0009485154](#) [0009508121](#) [0022285053](#) [0050291907](#) [018731A](#) [LY20-4P-DT1-P1E-BR](#) [02.125.8002.8](#) [60101931](#) [60598-1 \(Cut Strip\)](#) [M1625-3R/100](#) [61062-3](#) [61082-181009](#) [636-1427](#) [638009-1](#) [641938-9](#) [641991-4](#) [644168-1](#) [647662-1](#) [65039-019ELF](#) [65817-002LF](#) [65817-015LF](#) [65863-015LF](#) [66207-023LF](#) [67016-026LF](#) [67046-001LF](#) [67095-007LF](#) [67230-005LF](#)