

PPC-177T

17" Panel PC with Intel® Core™2 Duo Processor



Features

- Intel® Core™2 Duo processor up to 2.16 GHz
- System memory up to 4 GB 667 MHz DDR2 SODIMM socket x 2
- One PCIe Expansion Slot (PCI is available as an option)
- One Mini PCI socket, One Mini PCIe socket
- Built-in CF card interface (IDE interface for OS booting)
- Dual Gigabit Ethernet ports supports LAN teaming
- One RS-232/ GPIO (8 channels, TTL level); (by swapping pin header)
- One RS-232/422/485; (supporting Auto-flow control, selecting by BIOS)



Introduction

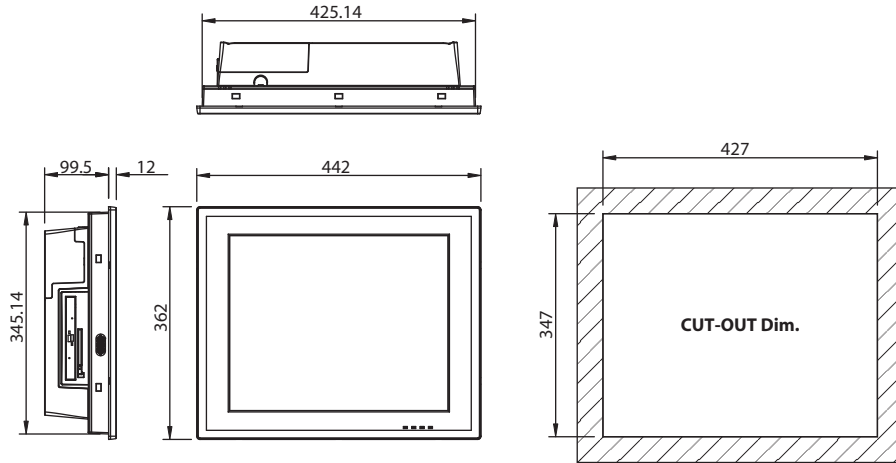
The PPC-177T is an Intel® Core 2 Duo based Panel PC with 17" color TFT LCD. It features multimedia devices, various connectors, and can be installed in virtually any application. In addition, its user-friendly interface makes it a great host for information appliances. Four serial ports and two Gigabit Ethernet ports give the PPC-177T advanced networking capabilities, and provide a great solution for versatile applications.

Specifications

Processor System	CPU	Supports mSocket 478 based Core 2 Duo up to 2.16 GHz	
	CPU FSB	533/667 MHz	
	Chipset	945GME + ICH7M	
	Disk Drive Housing	Room for 1 x 2.5" SATA HDD	
	Dimensions (W x H x D)	442 x 362 x 111.5mm (17.4" x 14.25" x 4.39")	
	Weight	7.6 kg (16.74 lb)	
	Front Panel Protection	IP65 compliant	
	HDD	SATA HDD interface (2.5" HDD bay)	
	DVD+/-RW Drive	Optional SATA 8X or above DVD+/-RW Drive, Optional optical drive bay	
	Memory	Supports up to 4 GB of 667 MHz DDR2 SODIMM system memory (socket x 2)	
Network (LAN)	2 x Gigabit Ethernet ports, Wake on LAN, boot from LAN and LAN teaming supported		
I/O Ports	- 4 x COM ports: 2 x RS-232, 1 x RS-232/422/485, 1 x RS-232/ GPIO (8 channels, TTL level)* - 4 x USB 2.0 ports - Mic in/ Line out / Line in, 1W speaker - 2 x Gigabit Ethernet ports - 1 x D-SUB VGA port - 1 x PS/2 mouse and keyboard interface * RS-232/422/485 - selecting by BIOS and supporting Auto-flow control RS-232/GPIO - by swapping pin header		
Bus Expansion	1 x PCIe Expansion Slot (PCI is available as option), 1 x Mini PCI socket, 1 x Mini PCI-e socket		
OS Support	OS Support	Win XPE / Win XP Pro / WES7 32 & 64 bit / Windows 7 32 & 64 bit (64 bit only for T7400)	
Environmental Specifications	Operating Temperature	0 ~ 50°C (32 ~ 122°F)	
	Relative Humidity	10 ~ 95% @ 40°C non-condensing	
	Shock	Operating 10 G peak acceleration (11 ms duration), follows IEC 60068-2-27	
	Vibration	Operating Random Vibration Test 5~500Hz, 1Grms, follows IEC 60068-2-64	
	EMC	BSMI, CE, FCC Class B, CCC	
	Safety	CB, CE, UL	
Power Supply	AC Model	Output Rating	150 W (max.)
		Input Voltage	100 ~ 240 V _{ac} , 50 ~ 60 Hz, 2 ~ 4 A
		Output Voltage	+3.3 V @ 4.5 A, +5 V @ 8.5 A, +12 V @ 7.0 A, +5 Vsb @ 1.5 A, -12 V @ 0.3 A
LCD Display	Display Type	Color TFT LCD	
	Size (Diagonal)	17"	
	Max. Resolution	1280 x 1024	
	Max. Colors or Grayscales	16.7M	
	Pixel Pitch (mm)	0.264 x 0.264	
	Luminance (cd/m ²)	380	
	Contrast Ratio	800:1	
Viewing Angle	80°(left), 80°(right), 80°(up), 80°(down)		
LCD MTBF	50,000 hrs		
Touchscreen (optional)	Type	5-wire Analog Resistive (USB interface)	

Dimensions

Unit: mm



Ordering Information

Part No.	Description
PPC-177T-BAREE	17" Core 2 Duo Based Panel PC without T/S
PPC-177T-BARE-TE	17" Core 2 Duo Based Panel PC with Resistive T/S
PPC-155T STAND	Stand kit for PPC-155/157/175/177 series
PPC-ARM-A03	PPC ARM VESA Standard
PPC-174T-WL-MTE	Wall mount kit for PPC series
PPC-175 RACK-MT	Rack mount kit for PPC-175/177 series
1702002605	Power cord 90D 220V EUROPEAN 250V/6A, 1.8M
1702002600	Power cord UL/CSA (USA) 180D 125V/10A 1.83M
989K017700E	Optical disc drive kit for PPC-177T (W/O ODD)
989K017702E	DVD-RW (SATA) module for PPC-177T
989K070601E	PCI riser card for PPC-177T
PPC-L158T-WLANE	802.11 b/g/n RT5390 1T1R Full Size Mini PCIe for PPC-L158/157/177 Series
2070011804	XPE WES2009 V4.3, 24 multi-language with SUSI Access

Feature Details

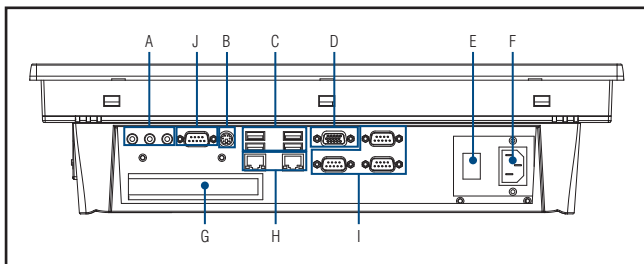
Protection

To meet the requirements of a public environment, the front panel PPC-177T complies with the IP65 protection standard. Furthermore, the watchdog timer and power management features make the system secure and stable. The onboard hardware monitoring feature provides an automatic protection function, which prevents the CPU from becoming overheated.

Expansion

To extend functionality, the PPC-177T is designed with one PCI-e expansion Slot (PCI is available as option) and Four USB 2.0 (Universal Serial Bus) ports. With these expansion capabilities, the PPC-177T not only functions as an HMI, but also as a computing center on which to build your applications.

I/O Appearance



- A: Line in/Line out/Mic in
- B: PS2 Mouse & Keyboard
- C: USB 2.0 x 4
- D: VGA Port
- E: Power Switch
- F: AC Inlet
- G: PCI Slot x 1
- H: 10/100/1000 Base-T Ethernet x 2
- I: RS-232 x 3 (including RS232/422/485 x 1, COM2)
- J: RS-232/GPIO (by swapping pin header)

X-ON Electronics

Largest Supplier of Electrical and Electronic Components

Click to view similar products for [AC Power Cords](#) category:

Click to view products by [Advantech](#) manufacturer:

Other Similar products are found below :

[62500-1774](#) [JP2P3-C2C-4I](#) [HFEC15U](#) [312033-01](#) [R7A-CAB005SR](#) [523 BK078](#) [374003-A01-L1](#) [YP-61+YC12](#) [YP21A+YC13](#) [1689848-1](#)
[6601](#) [1702002600](#) [1700001947](#) [1700018553](#) [J2014003L001-CC SHELF](#) [IL13-EU1-H05-3100-300-S](#) [366044-D01](#) [PC20C19GY8](#) [P28976-](#)
[M45](#) [ACC-500-215-R](#) [BB-3271V86](#) [HFE/C19UO](#) [390002-01](#) [393001-01](#) [318004-01](#) [350050-LD01](#) [369004-E01](#) [370001-E01](#) [VL-](#)
[1024-23-300](#) [6007.0214](#) [1700001524](#) [IL13-US1-SVT-3100-366](#) [IL13-EU1-H05-3100-400](#) [IL13-C14-H05-3100-200](#) [IL13-US1-SVT-3100-](#)
[275](#) [IL13-SE-H05-3100-500](#) [IL13-EU1-H05-3100-300](#) [166S72](#) [221001-03](#) [223082-01](#) [223083-01](#) [232011-06](#) [732-00/00](#) [6000.0224](#) [374003-](#)
[A01](#) [AC30UUK](#) [373003-A01](#) [AC30UEU](#) [513 BK078](#) [920 BK078](#)