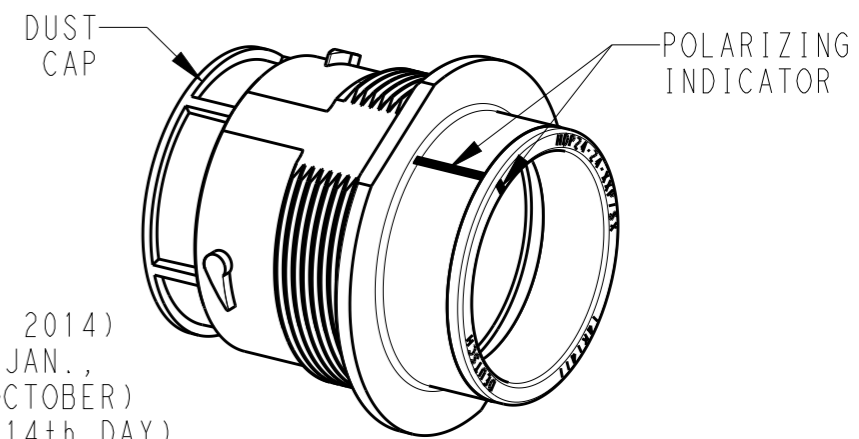
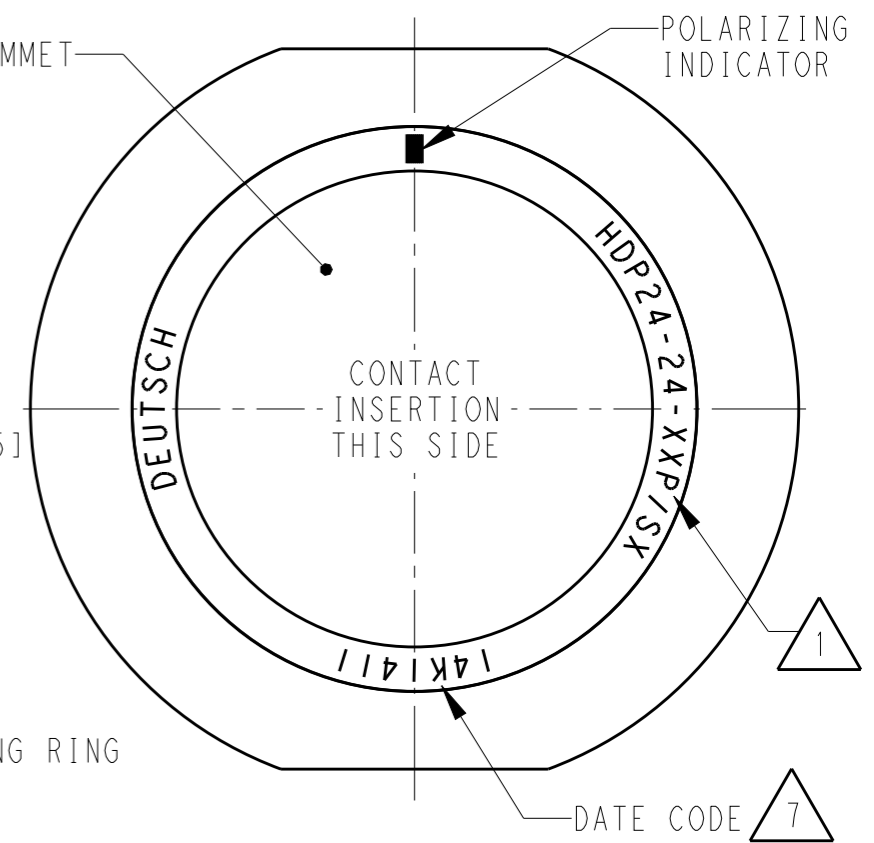
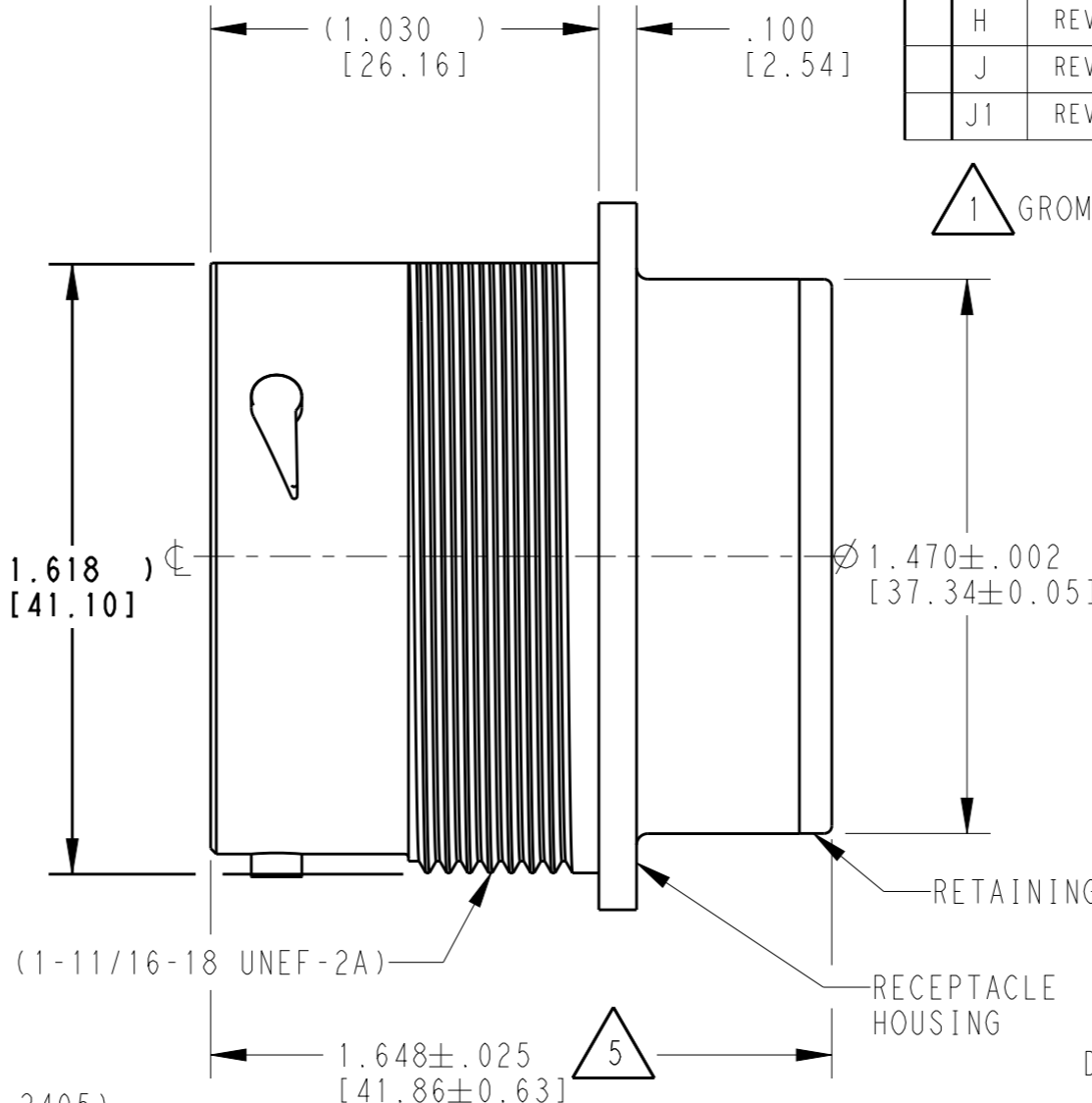
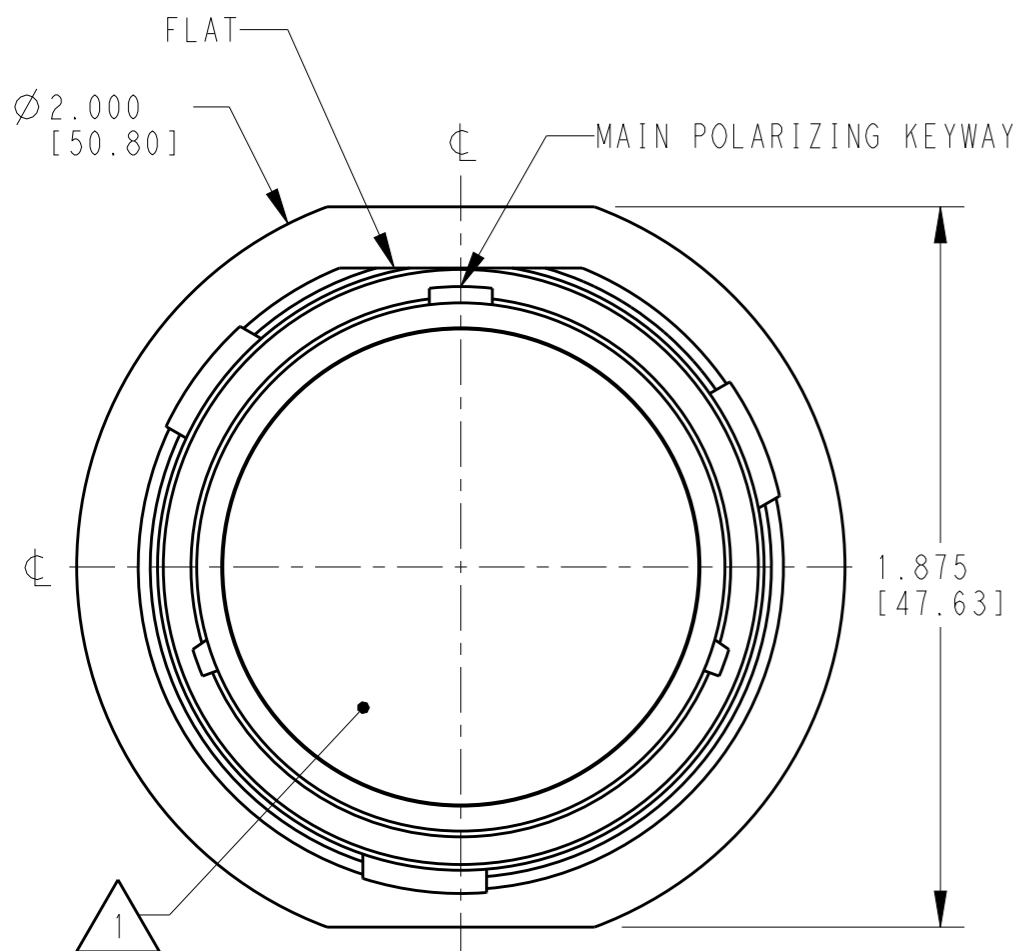


| LOC | DIST | REVISIONS | | | |
|-----|------|-----------------------------|-----------|-----|------|
| P | LTR | DESCRIPTION | DATE | DWN | APVD |
| | G | REVISED PER E.O. P18449 | 04FEB2004 | XS | RDR |
| | H | REVISED PER E.O P21391 | 15JUN2012 | AM | RDR |
| | J | REVISED PER ECO-14-019072 | 23FEB2015 | JA | DM |
| | J1 | REVISED PER PCN E-16-012386 | 01MAR2017 | DD | DM |



6. RECEPTACLE IS SUPPLIED WITH DUST CAP (2415-001-2405).

5 NOTED DIMENSION DOES NOT INCLUDE GROMMET PROTRUSION.

4 MATERIAL: RECEPTACLE HOUSING: PA66 GF10 (BLACK)
 RETAINER RING: PA66 GF10 (GREEN, GRAY, BLUE)
 GROMMET: SILICONE (ORANGE-RED)

3 SEE 0425-021-0000 APPLICATION SPECIFICATION
 A. RECOMMENDED WIRE INSULATION RANGE
 B. CONTACT REMOVAL TOOLS
 C. RECOMMENDED MOUNTING HOLE & PANEL THICKNESS
 D. MOUNTING HARDWARE & MOUNTING TORQUE.

7 DATE CODE: IDENTIFIES THE YEAR, MONTH, DAY AND HOUR OF ASSEMBLY.
 YEAR: FIRST AND SECOND DIGITS. (14 = 2014)
 MONTH: THRID DIGIT, EXCLUDING I. A = JAN., B = FEB., C = MARCH... (K = OCTOBER)
 DAY: FOURTH AND FIFTH DIGITS (14 = 14th DAY)
 HOUR: SIXTH AND SEVENTH DIGITS (11 = 11AM)

2. THIS RECEPTACLE MATES WITH HDP26-24-XXP/SX-XXXX PLUG
 X = SEAL TYPE (N,T,E)
 XX = INSERT ARRANGEMENT
 XXXX = MODIFICATION

1 SEE CUSTOMER DRAWING, 0425-014-2400 FOR AVAILABLE INSERT ARRANGEMENTS AND PART NUMBERS.

NOTES:

| | | | | | |
|--|--------------------|------------------|---------------|---------------------|---|
| THIS DRAWING IS A CONTROLLED DOCUMENT. | | DWN | 03MAR2000 | TE Connectivity | NAME RECEPTACLE, THREADED SIZE 24 HDP SERIES |
| | | CHK | 04FEB2004 | | |
| DIMENSIONS: INCHES [mm] | | APVD | 16JAN2004 | SIZE | A3 |
| | | PRODUCT SPEC | 0425-021-0000 | CAGE CODE | 4AFU8 |
| TOLERANCES UNLESS OTHERWISE SPECIFIED: | | APPLICATION SPEC | 3 | DRAWING NO | 0425-021-0000 |
| 0 PLC ± | 1 PLC ± | WEIGHT | | RESTRICTED TO | - |
| 2 PLC ± | 3 PLC ±.015 [0.38] | | | SCALE | 2:1 |
| 4 PLC ± | ANGLES ±0°30'0" | | | SHEET | 1 OF 1 |
| MATERIAL | FINISH N/A | | | REV | J1 |
| 4 | | Customer Drawing | | | |

X-ON Electronics

Largest Supplier of Electrical and Electronic Components

Click to view similar products for [Automotive Connectors](#) category:

Click to view products by [TE Connectivity](#) manufacturer:

Other Similar products are found below :

[003-018-000](#) [600858](#) [60403001](#) [60993906-B](#) [60993913-B](#) [629515004020001](#) [M902-2131](#) [M902-2161](#) [M902-2344](#) [72.330.1035.1](#)
[73.353.4028.0](#) [F118010](#) [F119300-B](#) [F132210](#) [F132210-B](#) [F166900](#) [F180100](#) [F258300](#) [F258300-B](#) [F294300-B](#) [F339100](#) [F339700](#) [F358300-](#)
[B](#) [F374110](#) [F407400](#) [F412210](#) [F427600](#) [F444110](#) [F487000](#) [F495100-B](#) [F500900-B](#) [F509500B-B](#) [770444-1](#) [776880-1](#) [827153-1](#) [881735-1](#)
[8N1515-32-24P](#) [9-1326729-8](#) [925467-1](#) [925474-1](#) [928905-1](#) [936398-2](#) [964562-1](#) [964562-4](#) [964731-2](#) [965051-1](#) [968782-1](#) [GT17SA-8DS-](#)
[HU](#) [GT17VS-10DP-5.2CF](#) [98315-0001](#)