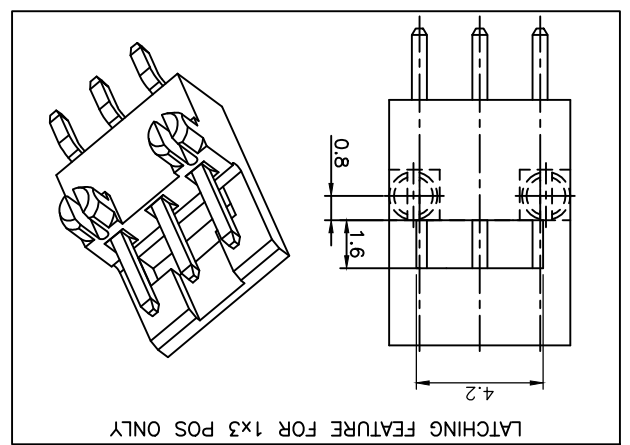
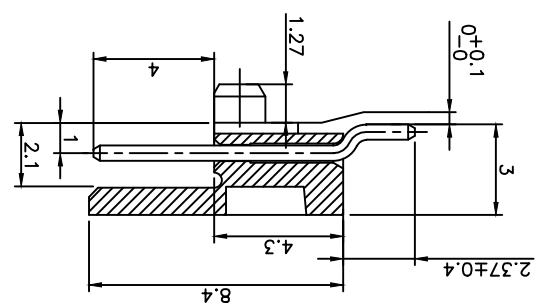
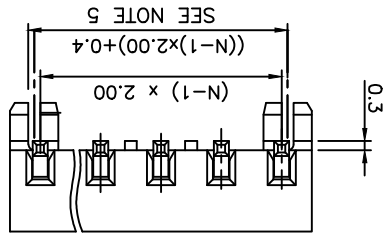
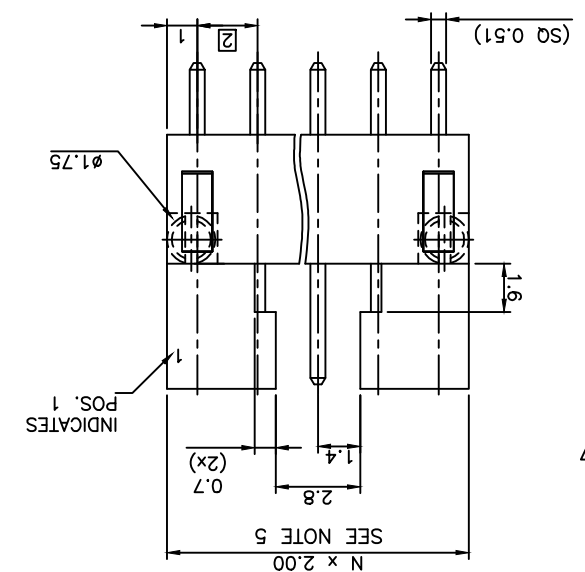


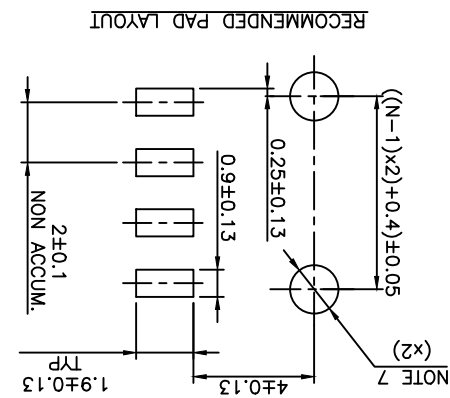
PRODUCT NUMBER  
95000-XXXXLF

PLATING  
TOTAL NB OF POSITIONS, 3 TO 17  
PACKAGING TYPE, NOTE 3  
ROHS COMPATIBLE, SEE NOTE 6

- 0 = 0.20µm GOLD/GXT ON CONTACT AREA
- 1 = 0.76µm GOLD/GXT ON CONTACT AREA
- 2.0µm MIN MATTE TIN ON TAILS
- 3 = 0.38µm GOLD/GXT ON CONTACT AREA
- 2.0µm MIN MATTE TIN ON TAILS
- T = FULL MATTE TIN 2µm-5µm
- 1.27µm NI MIN UNDERPLATING



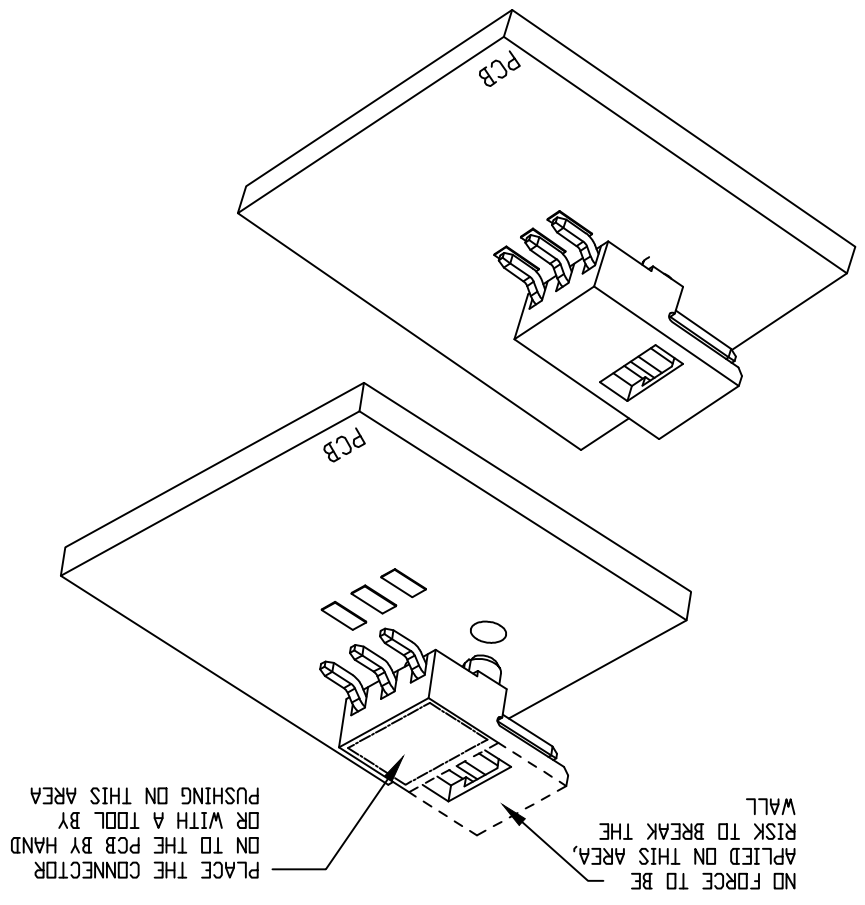
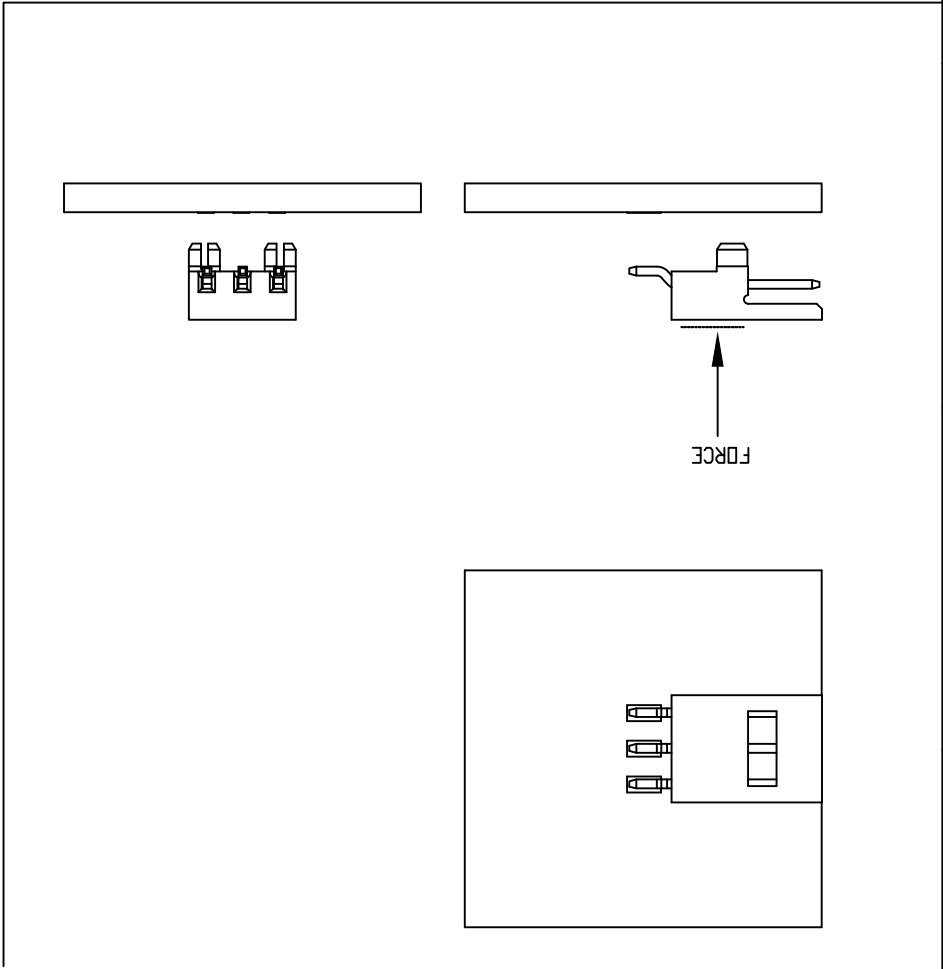
- a - MANUFACTURING PROCESS COMPATIBILITY
- THE HOUSING WILL WITHSTAND EXPOSURE TO 260°C PEAK TEMPERATURE FOR 30 SECONDS MAX IN A CONVECTION, INFRA-RED OR VAPOR PHASE OR REFLOW OVEN.
- b - LABELLING:
- MEETS PACKAGING SPECS AS PER GS-14-920 AND OTHER COUNTRY REGULATIONS AS DESCRIBED IN GS-47-0004
- c - THIS PRODUCT MEETS EUROPEAN DIRECTIVES FOR INTERFERENCE FIT APPLICATIONS, SEE SHEET 2. HOLE DIMENSION TO BE  $\phi 1.60 \pm 0.07$
- 7 - HOLE DIMENSION TO BE  $\phi 1.95 \pm 0.07$  FOR NON INTERFERENCE FIT (LOCATIONAL) APPLICATIONS



mat'l. code	ISO 1302	surface tolerance	ISO 406 ISO 1101	projection	MINITEX
lit' ecn no	dr	date	tolerances unless otherwise specified	title	MINITEX SMT HDR SR
S	B-19986	JCO	15.01.13	angles	
T	B-19995	JCO	15.01.15	linear	x ±0.3
U	F-23052	AMA	16.01.15	linear	xxx ±0.05
N	B-15804	JCO	13.08.28	engr	J. FABRE
P	B-16822	JCO	14.01.23	chr	JL CORDIER
R	B-19187	LMU	14.10.24	appd	JMC
sheet index	revision	U	A	sheet	index
1	2			1	2

product family	MINITEX
type	CUSTOMER Drawing
dwg no	95000
sheet 1 of 2	A3
scale	7:1
unit	mm
product family	MINITEX

RECOMMENDATION TO PLACE THE CONNECTOR ONTO THE PCB



mat'l. code	N/A	ISO 1302	surface	tolerance	ISO 406 ISO 101	projection	product family	MINITEK
litr ecn no	dr	date	tolerances unless otherwise specified				title	MINITEK SMT HDR SR
	A	B-19986	J.FA	15.01.13	angles	linear	mm	POLARIZATION & LATCHING
					0°.x'	.000±.00x	scale 1:1	
								dwg no
								95000
								sheet # of 2
								A3
								type
								Product Customer Drawing
								index
								sheet

## X-ON Electronics

Largest Supplier of Electrical and Electronic Components

*Click to view similar products for [Headers & Wire Housings](#) category:*

*Click to view products by [Amphenol](#) manufacturer:*

Other Similar products are found below :

[95000-104TRLF](#) [10135584-644402LF](#) [DF62W-EP2022PCA](#) [95000-106TRLF](#) [DF62W-2022SCA](#) [DF62W-EP2022PC](#) [2203348](#) [DF62W-2022SC](#) [1084018](#) [1029039](#) [1084017](#) [802-10-012-10-002000](#) [1112640](#) [1112639](#) [000-34000](#) [0009482033](#) [0009507031](#) [57102-S06-03LF](#) [57202-S52-04LF](#) [PCN6-15S-2.5E](#) [0039019024](#) [58102-G61-06LF](#) [582553-1](#) [0009485154](#) [0009508121](#) [0022285053](#) [0050291907](#) [018731A](#) [LY20-4P-DT1-P1E-BR](#) [02.125.8002.8](#) [60101931](#) [60598-1 \(Cut Strip\)](#) [M1625-3R/100](#) [61062-3](#) [61082-181009](#) [636-1427](#) [638009-1](#) [641938-9](#) [641991-4](#) [644168-1](#) [647662-1](#) [65039-019ELF](#) [65817-002LF](#) [65817-015LF](#) [65863-015LF](#) [66207-023LF](#) [67016-026LF](#) [67046-001LF](#) [67095-007LF](#) [67230-005LF](#)