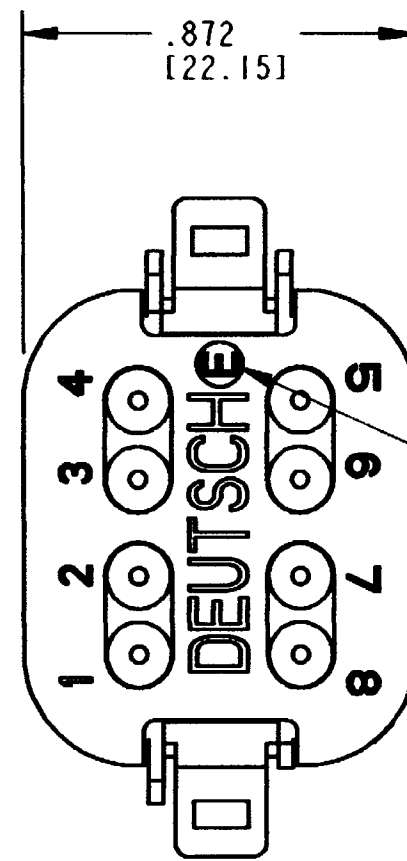
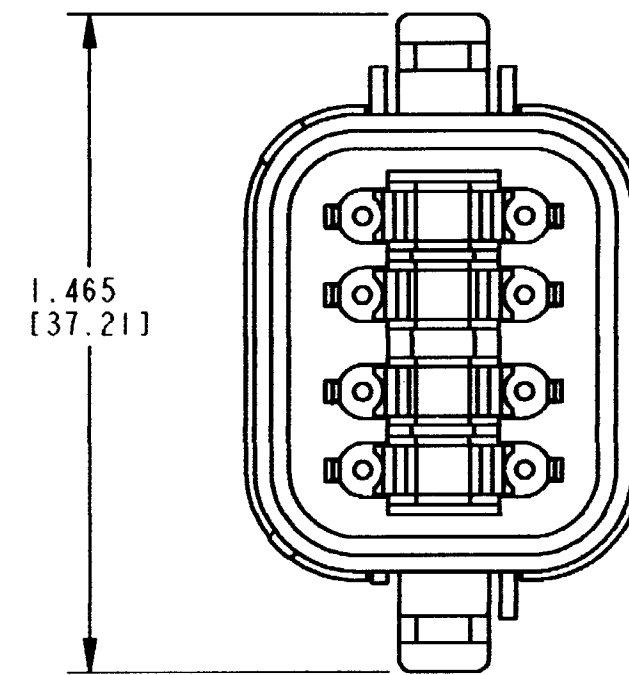
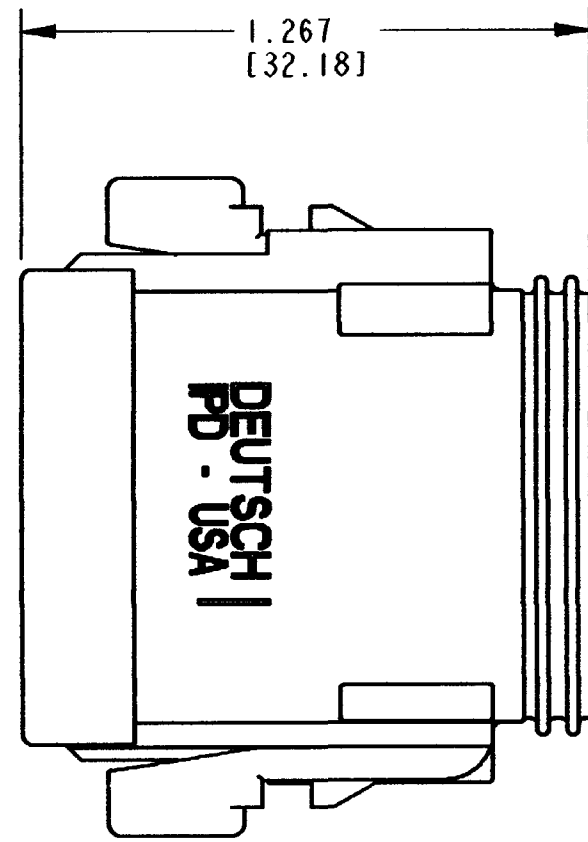


REV  
A DT06-08S\*-CE01

| REVISIONS |                             |          |          |
|-----------|-----------------------------|----------|----------|
| SYM       | DESCRIPTION                 | DATE     | APPROVED |
| NC        | REDRAWN / REPLACES PREVIOUS |          |          |
|           | RELEASE PER E.O. P19053     | 10/14/05 | R.D.R.   |
| A         | REVISED PER E.O. P19550     | 6-12-07  | RDR      |



E- DESIGNATES  
REDUCED WIRE  
DIAMETER.



5. MATERIAL: SHELL: PLASTIC; SEAL: RUBBER
4. THIS PLUG MATES WITH THE DT04-08P\*-\*\*\*\* RECEPTACLE (\* = A,B,C,D KEYS; \*\*\*\* = ALL MODIFICATIONS). CONSULT FACTORY FOR MODIFICATIONS.
3. FOR CONTACTS AND WIRE PERFORMANCE AND APPLICATION CHARACTERISTICS SEE ENVELOPE DRAWING 0425-015-0000 AND 0425-017-0000.
2. DIMENSIONS ARE  $\pm .025$  [0.63] UNLESS OTHERWISE SPECIFIED.
1. ALL DIMENSIONS ARE IN INCHES [MILLIMETERS].
- NOTES:

| CONTACT SIZE | MIN. INSUL O.D. | MAX. INSUL O.D. | WIRE RANGE <sup>3</sup> [mm <sup>2</sup> ] REF. ONLY |
|--------------|-----------------|-----------------|--|
| 16           | .053 [1.35]     | .120 [3.05]     | 14-20 AWG [2.0-0.5]                                  |

| SIGNATURE & DATE |                    |
|------------------|--------------------|
| DR               | A. MALAGON 20SEP05 |
| CHK              | B. B. 6/7/07       |
| PE               | R. Maloney 5/11/07 |
| APPD             | S. Beard 6-1-07    |
| SCALE            | NONE               |
| WT               |                    |

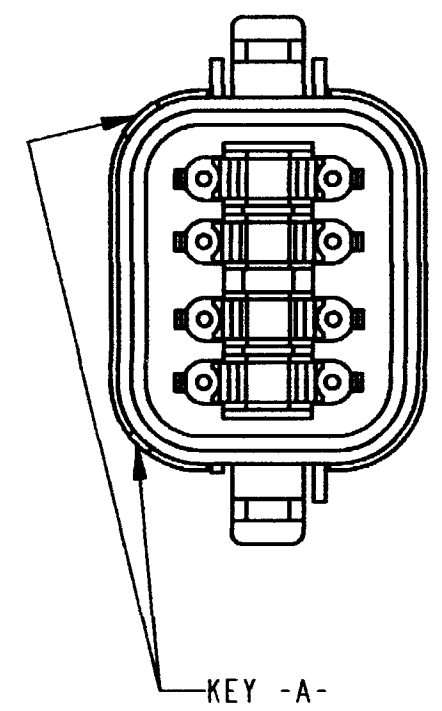
8 WAY PLUG  
W/ WELD CAP,  
REDUCED WIRE SEALS,  
-CE01 MOD.  
DT SERIES

ENVELOPE

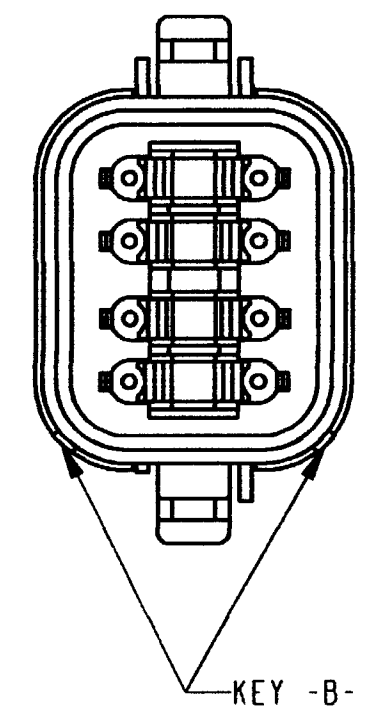
| MATERIAL CODE   |                         |
|---|-------------------------|
| EP  |                         |
| <b>The Deutsch Company</b><br>DEUTSCH I.P.D.<br>3850 INDUSTRIAL AVE.<br>HEMET, CALIF. 92545 |                         |
| <b>B</b>  | <b>DT06-08S*-CE01</b>   |
| DWG SIZE  | CODE 11139 SHEET 1 OF 2 |

|     |                |           |              |         |          |
|-----|----------------|-----------|--------------|---------|----------|
| REV | DT06-08S*-CE01 | REVISIONS |              |         |          |
| A   |                | SYM       | DESCRIPTION  | DATE    | APPROVED |
|     |                | A         | SEE SHEET #1 | 6-26-07 | RDR      |
|     |                |           |              |         |          |
|     |                |           |              |         |          |

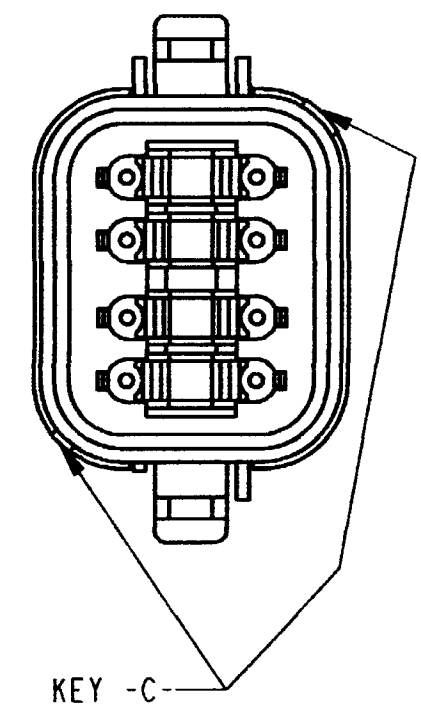
PART NO.  
DT06-08SA-CE01  
KEY ARRANGMENT -A-  
COLOR: GRAY



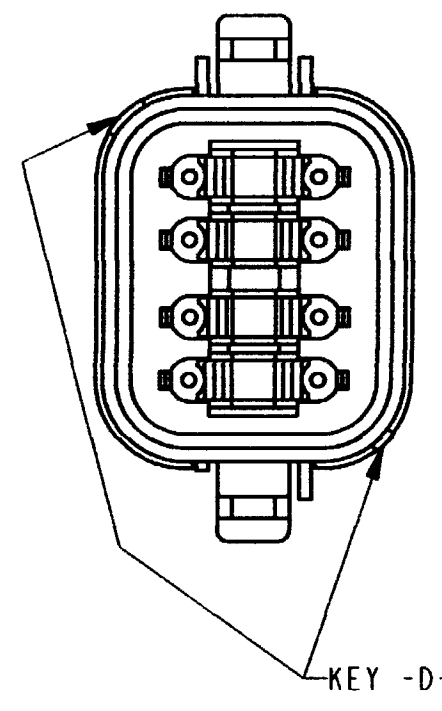
PART NO.  
DT06-08SB-CE01  
KEY ARRANGMENT -B-  
COLOR: BLACK



PART NO.  
DT06-08SC-CE01  
KEY ARRANGMENT -C-  
COLOR: GREEN



PART NO.  
DT06-08SD-CE01  
KEY ARRANGMENT -D-  
COLOR: BROWN



NOTES:

|                  |                         |   |   |                |               |
|------------------|-------------------------|---|---|----------------|---------------|
| SIGNATURE & DATE |                         | 8 WAY PLUG,<br>W/ WELD CAP,<br>REDUCED WIRE SEALS,<br>-CE01 MOD.<br>DT SERIES | EP  | MATL.<br>CODE  |               |
| DR               | A. MALAGON 20SEP05      |   | The Deutch Company  |                |               |
| CHK              | <i>B. Byford</i> 6/7/07 |   | DEUTSCH I.P.D.<br>3850 INDUSTRIAL AVE.<br>HEMET, CALIF. 92545 |                |               |
| PE               | <i>K. Mason</i> 5/31/07 |   | <b>B</b>  | DT06-08S*-CE01 |               |
| APPD             | <i>S. Smith</i> 6-1-07  |   |   | DWG<br>SIZE    | CODE<br>11139 |
| SCALE            | NONE                    | WT  | ENVELOPE  |                |               |

## X-ON Electronics

Largest Supplier of Electrical and Electronic Components

*Click to view similar products for [Automotive Connectors](#) category:*

*Click to view products by [TE Connectivity](#) manufacturer:*

Other Similar products are found below :

[003-018-000](#) [600858](#) [60403001](#) [60993906-B](#) [60993913-B](#) [629515004020001](#) [M902-2131](#) [M902-2161](#) [M902-2344](#) [72.330.1035.1](#)  
[73.353.4028.0](#) [F118010](#) [F119300-B](#) [F132210](#) [F132210-B](#) [F166900](#) [F180100](#) [F258300](#) [F258300-B](#) [F294300-B](#) [F339100](#) [F339700](#) [F358300-](#)  
[B](#) [F374110](#) [F407400](#) [F412210](#) [F427600](#) [F444110](#) [F487000](#) [F495100-B](#) [F500900-B](#) [F509500B-B](#) [770444-1](#) [776880-1](#) [827153-1](#) [881735-1](#)  
[8N1515-32-24P](#) [9-1326729-8](#) [925467-1](#) [925474-1](#) [928905-1](#) [936398-2](#) [964562-1](#) [964562-4](#) [964731-2](#) [965051-1](#) [968782-1](#) [GT17SA-8DS-](#)  
[HU](#) [GT17VS-10DP-5.2CF](#) [98315-0001](#)