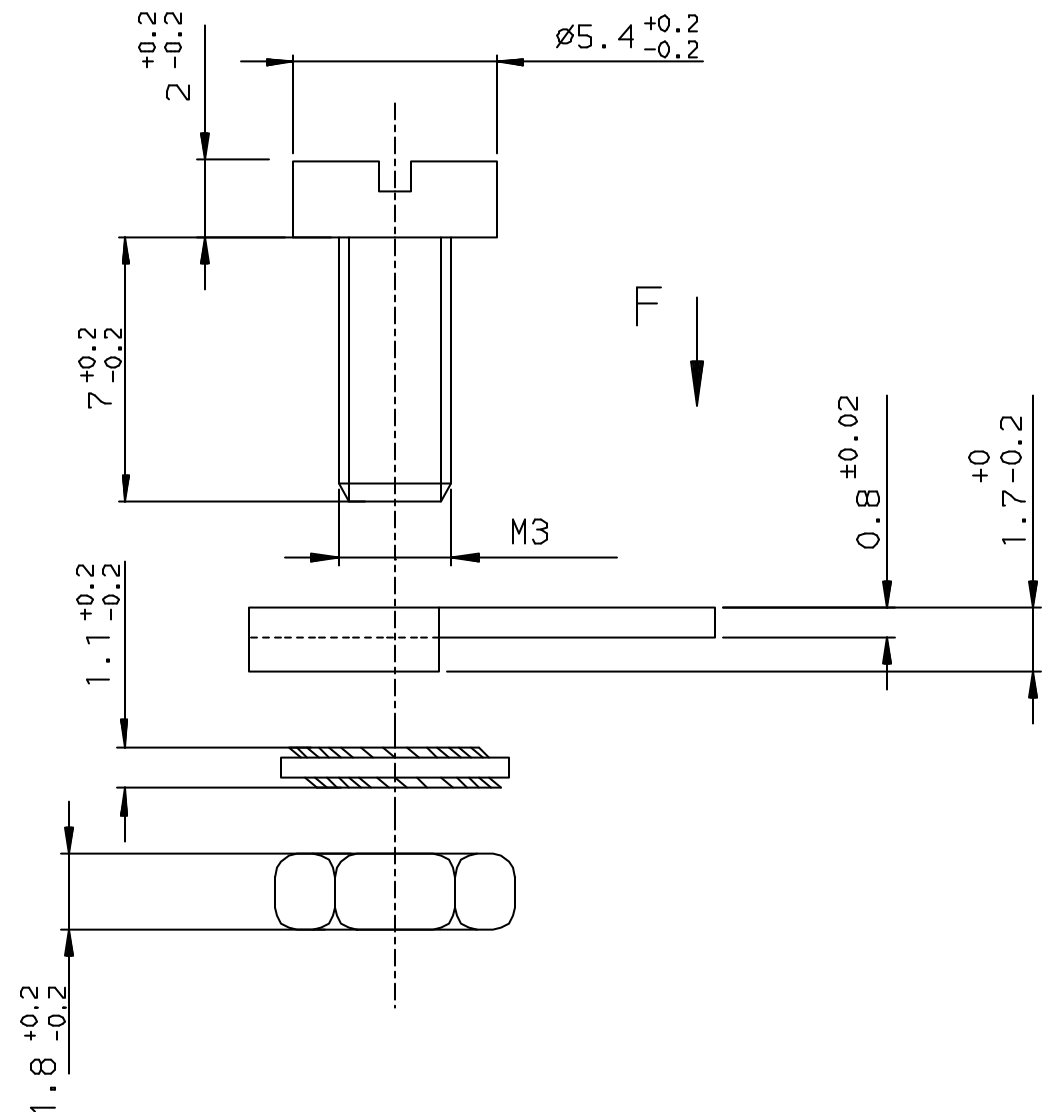


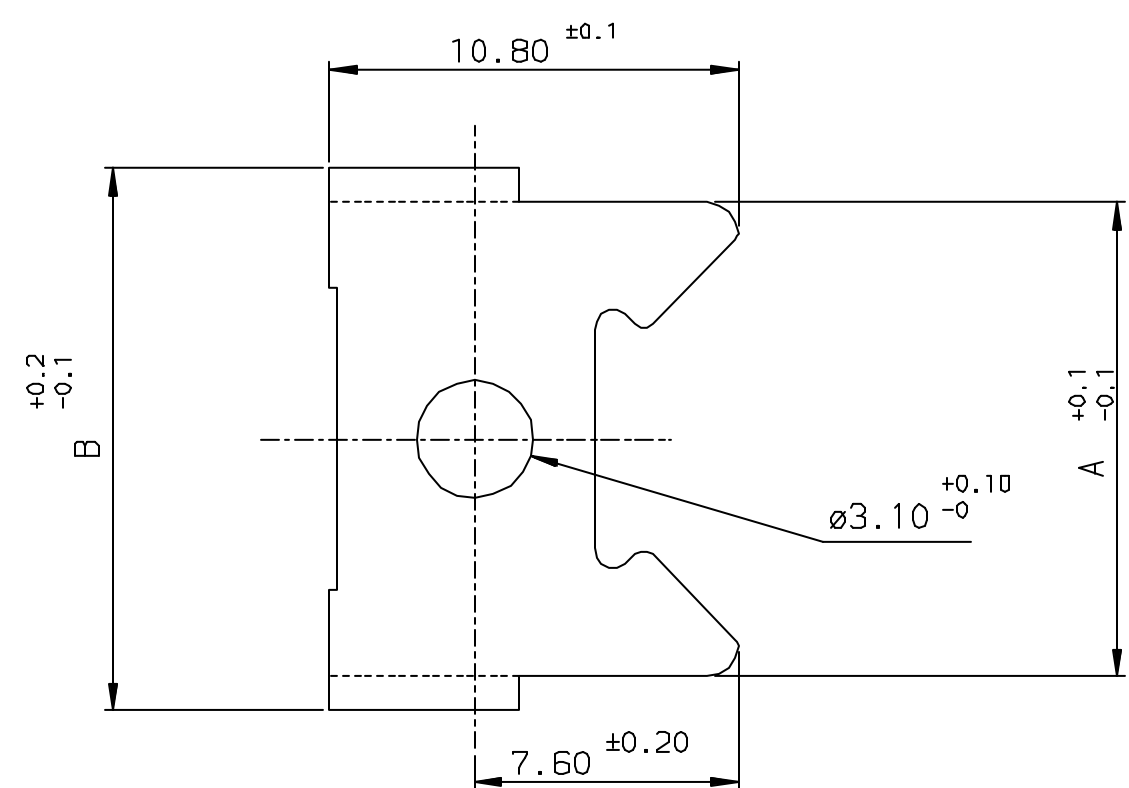
Tous droits strictement réservés. Reproduction ou communication a des tiers interdite sous quelque forme que ce soit sans autorisation écrite du propriétaire. Propriété de c FCI. Droits de reproduction FCI.



All rights strictly reserved. Reproduction or issue to third parties in any form whatever is not permitted without written authority from the proprietor. Property of FCI. Copyright FCI.



view F



PART NUMBER	PACKAGING	A	B
86303425LF	per 100 pieces	12.50	14.30
863034252LF	per 2 pieces	12.50	14.30
86303426LF	per 100 pieces	15.30	17.10
863034262LF	per 2 pieces	15.30	17.10

NOTE1:RoHS INFORMATIONS

- The "LF" product meets European union Directives and other country regulations as described in GS-22-008.
- The product is not intended to be exposed to a manufacturing solder process.
- Plating: Zinc Cr3+, white color.
- Packaging spec: see GS-14-920.

		www.fciconnect.com		tolerance ISO 406 ISO 1101		projection 		mm 	
Dr GOISNARD		12/01/06		Product family D-SUB 571		size A3		Scale 5	
Eng PESSON		12/01/06		Spec ref -		ECN		LS05-0123	
Chr LEGARE		12/01/06		Material SEE NOTES					
Appr LEGARE		12/01/06							
title LEVER LOCKS FEMELLE (SHELL SIZE 09 15 25 37 50)						dwg no C01-8655-1644		Rev. A	
catalog no -						CUSTOMER COPY		sheet 1 of 1	

Ltr	ecn no	dr	date
A	LS05-0123	LGO	12/01/06
-	-	-	-
-	-	-	-
-	-	-	-
-	-	-	-
-	-	-	-

X-ON Electronics

Largest Supplier of Electrical and Electronic Components

Click to view similar products for [D-Sub Tools & Hardware](#) category:

Click to view products by [Amphenol](#) manufacturer:

Other Similar products are found below :

[173112-0667](#) [173112-0759](#) [173112-0967](#) [173112-0291](#) [173112-0456](#) [000-01-09-132](#) [000-01-21-132](#) [000-01-31-162](#) [572019-00105-70](#)
[000-01-37-162](#) [621-250-113-115](#) [D20418-2R](#) [D20418-J3F](#) [70521CLF](#) [70524BLF](#) [70527BLF](#) [70527CLF](#) [F1042-1PLAH](#) [750643-1](#) [780-010-](#)
[06G4-00C](#) [780-518-50SG6-WS](#) [863004ATLF](#) [86552009](#) [86553115TLF](#) [86553117TLF](#) [86553156LF](#) [FSGK1/5](#) [980-8554-000](#) [980-8555-000](#)
[980-8557-000](#) [980-8558-000](#) [1230032-1](#) [1-5021101-2](#) [15-000050](#) [1589283-4](#) [160-000-005R031](#) [16-000230](#) [160-020-109R000](#) [160-025-](#)
[004R031](#) [160-015-003R031](#) [160-020-209R000](#) [160X10909X](#) [164C03939A](#) [177-505-A-2-2](#) [177-505-C-4-4](#) [179-013-1H](#) [1-966830-8](#) [21018-6](#)
[21028-3](#) [213622-5](#)