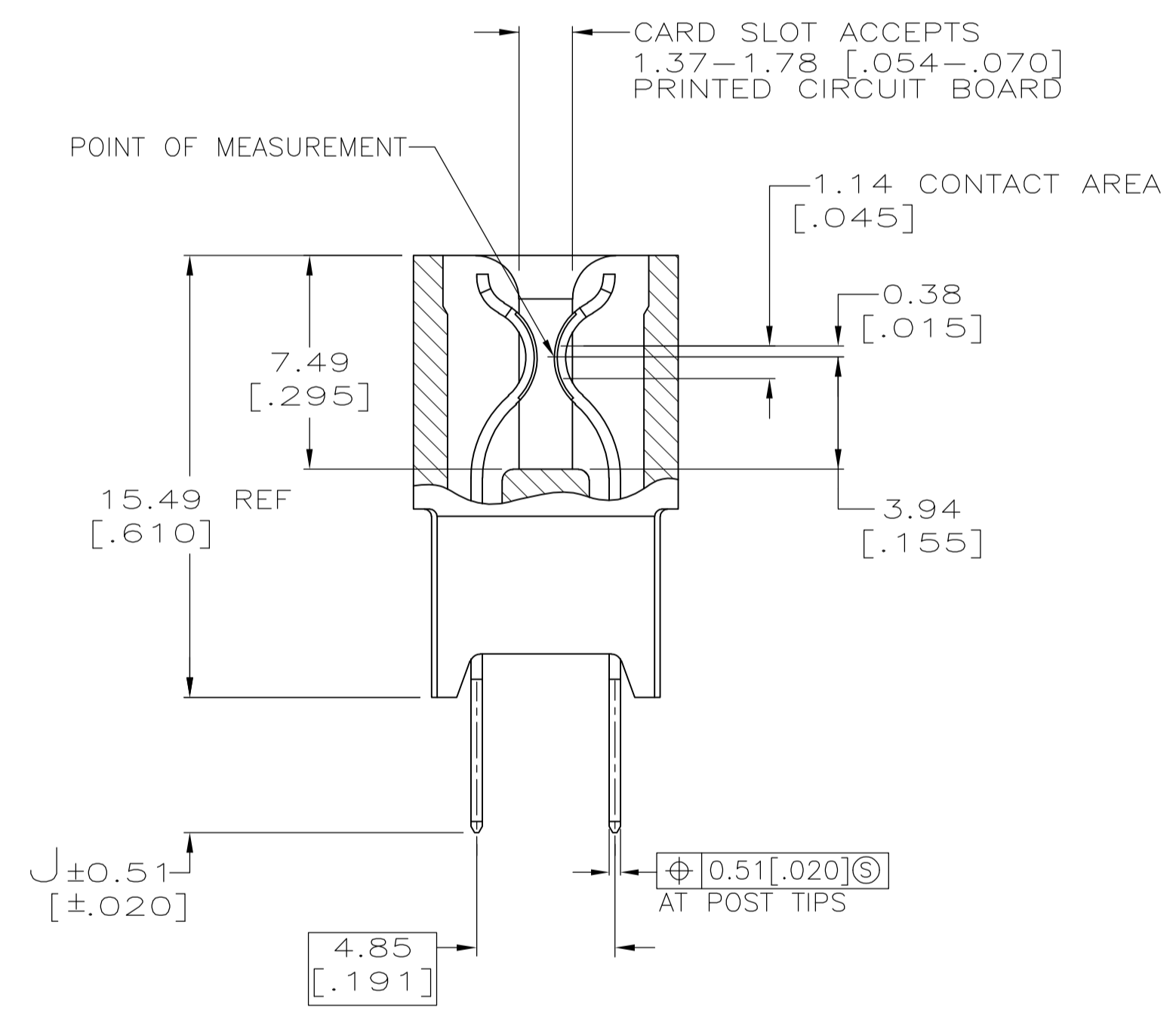
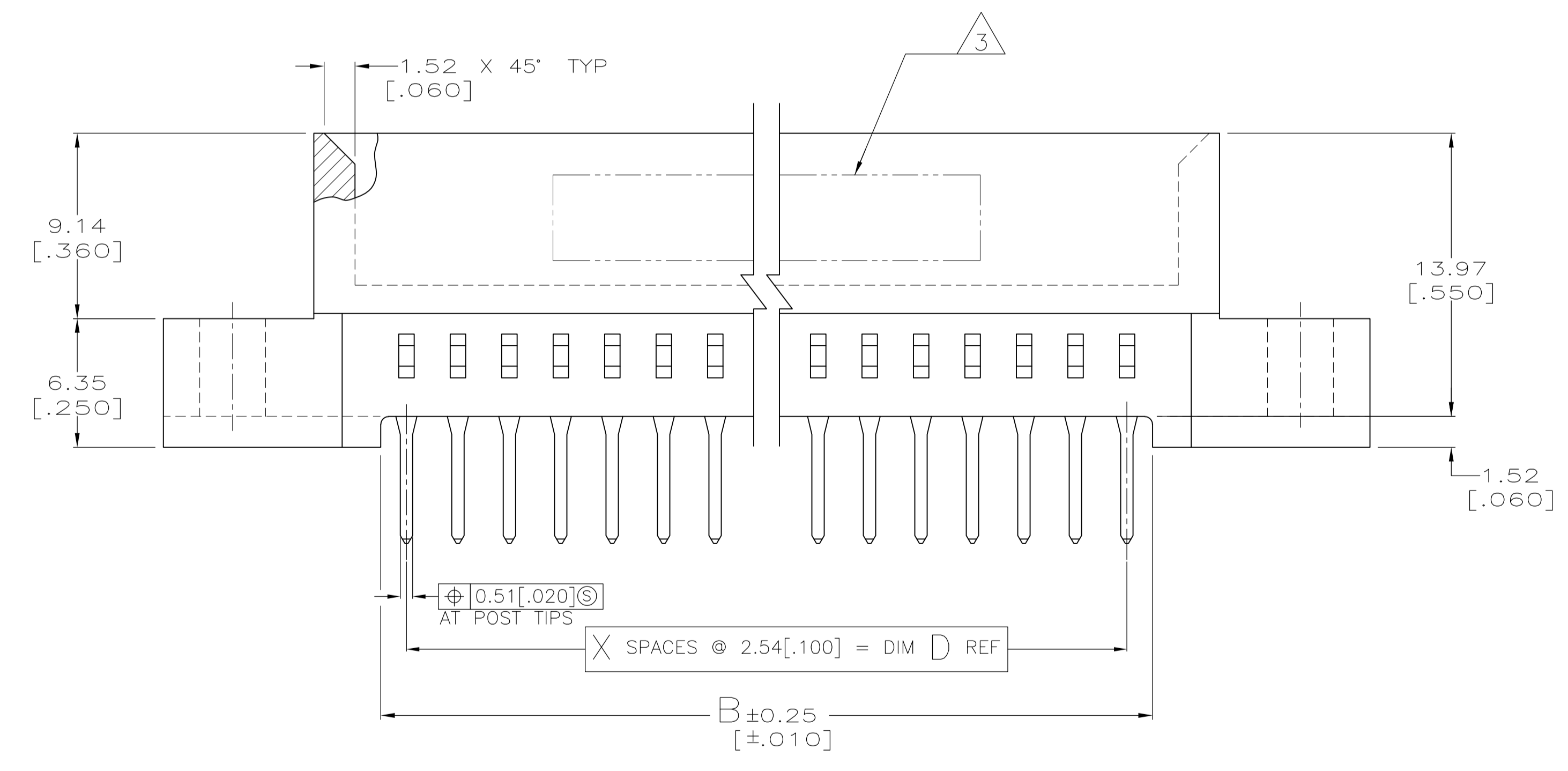
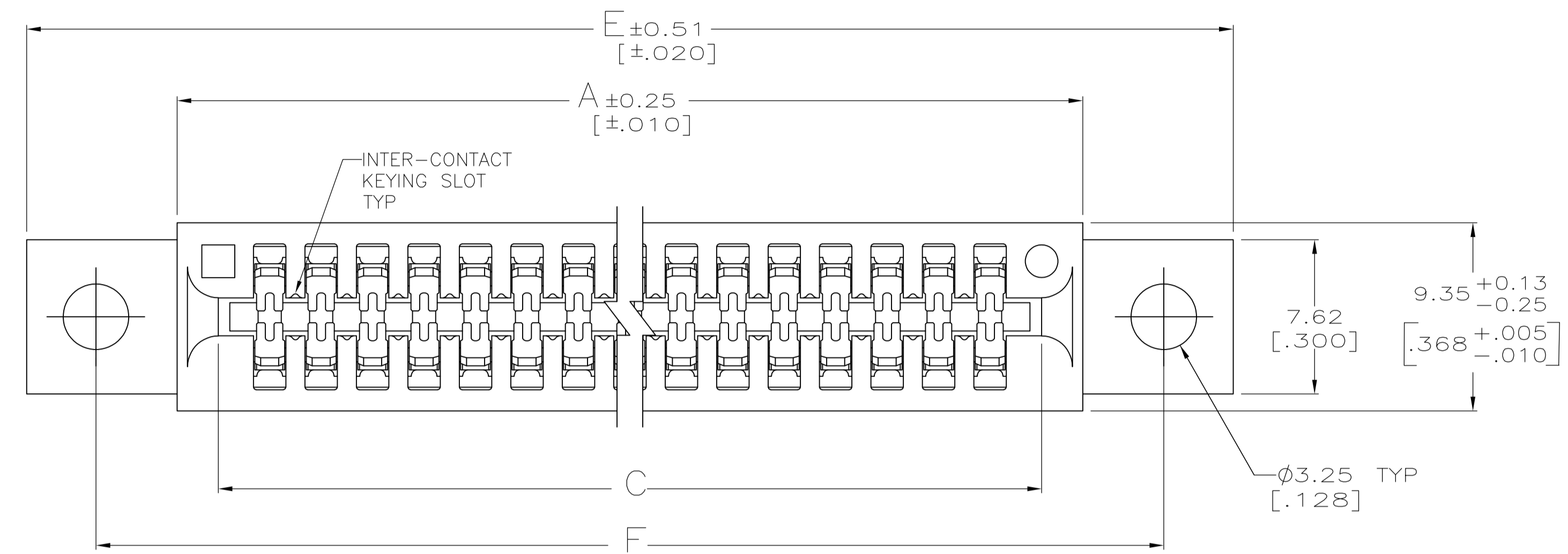


- MATERIAL:  
HOUSING: GLASS FILLED POLYESTER; COLOR: BLACK.  
CONTACT: PHOS BRONZE
- FINISH:  
0.00076[.00030] MIN GOLD PLATE IN CONTACT AREA,  
0.00254[.000100] MIN MATTE TIN ON SOLDER POSTS, ALL  
OVER 0.00127[.000050] MIN NICKEL
- AMP LOGO, TE PART NUMBER, DATE CODE AND CSA LOGO INK  
STAMPED WHITE (HOT STAMPED OR LAZER PRINTED) IN THE APPROXIMATE  
AREA SHOWN, EITHER SIDE PERMISSABLE, WHEN HOUSING SIZE PERMITS
- RECOMMENDED PCB FINISHED HOLE DIAMETER = 1.02±0.08  
[.040±.003]



OBSOLETE	4-5530841-3
OBSOLETE	2-5530841-5
OBSOLETE	5530841-3

PART NUMBER

4.75	90.80	97.41	73.66	78.74	76.20	82.80	29	30	1-5530841-8
[.187]	[3.575]	[3.835]	[2.900]	[3.100]	[3.000]	[3.260]			
3.18	141.60	148.21	124.46	129.54	127.00	133.60	49	50	1-5530841-1
[.125]	[5.575]	[5.835]	[4.900]	[5.100]	[5.000]	[5.260]			
3.18	78.10	84.71	60.96	66.04	63.50	70.10	24	25	5530841-5
[.125]	[3.075]	[3.335]	[2.400]	[2.600]	[2.500]	[2.760]			
3.18	52.70	59.31	35.56	40.64	38.10	44.70	14	15	5530841-2
[.125]	[2.075]	[2.335]	[1.400]	[1.600]	[1.500]	[1.760]			
J	F	E	D	C	B	A	X	NO OF POSN	PART NUMBER

THIS DRAWING IS A CONTROLLED DOCUMENT.

DIMENSIONS:	TOLERANCES UNLESS OTHERWISE SPECIFIED:	AWF/L.A.MAYER	28FEB2007
mm	0. PLC ± -	AWF	28FEB2007
	1. PLC ± 0.13 [.005]	AL FRANTUM	28FEB2007
	2. PLC ± -	S. FLICKINGER	28FEB2007
	3. PLC ± -		
	4. PLC ± -		
	ANGLES ± °		
MATERIAL	FINISH	SIZE	WEIGHT
SEE NOTE 1	SEE NOTE 2	A1	-
CUSTOMER DRAWING		SCALE	SHEET
		5:1	1 of 1

NAME: CONNECTOR ASSEMBLY, STANDARD EDGE II, 2.54 [.100] CENTERLINE  
 PRODUCT SPEC: 108-9039  
 APPLICATION SPEC: 114-13018  
 DRAWING NO: 00779  
 PART NUMBER: 5530841  
 RESTRICTED TO: -  
 DATE: 28FEB2007

## X-ON Electronics

Largest Supplier of Electrical and Electronic Components

*Click to view similar products for [Standard Card Edge Connectors](#) category:*

*Click to view products by [TE Connectivity](#) manufacturer:*

Other Similar products are found below :

[6565204-6](#) [PKC-156](#) [1437274-4](#) [147889-1](#) [1489165-4](#) [EBT156-12B1X](#) [EBT15622B2X](#) [EBT156-22R2W](#) [1-582587-1](#) [1-582589-1](#) [2-6437275-9](#) [284-0102-12100](#) [306022901000000](#) [307-012-502-202](#) [307-024-526-201](#) [307-056-520-300](#) [307-080-526-208](#) [245-062-520-350](#) [287-0032-12101](#) [306-010-500-112](#) [306-028-525-102](#) [306-240-318](#) [307-036-502-202](#) [307-036-521-301](#) [307-072-526-202](#) [345-060-559-303](#) [368-004-520-201](#) [392-008-559-201](#) [534671-1](#) [5-530501-5](#) [341-240-317](#) [345-029-520-300](#) [345-030-500-301](#) [345-044-500-300](#) [345-220-058](#) [346-240-318](#) [357-030-526-201](#) [387-012-523-300](#) [395-044-520-300](#) [395-100-524-300](#) [50-12B-10](#) [50-6SN-5](#) [09-07-2032](#) [10035388-106LF](#) [10035388-802LF](#) [10122859-009LF](#) [10127905-B04B24BLF](#) [530555-1](#) [EBT156-15A2X](#) [2007209-1](#)