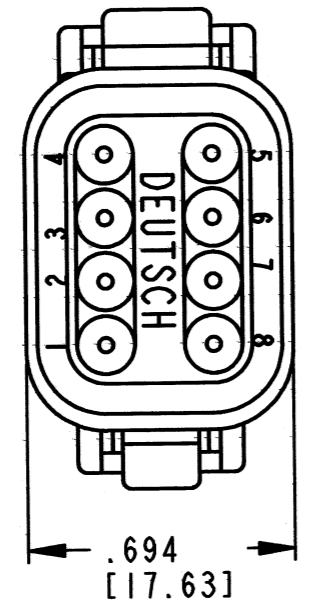
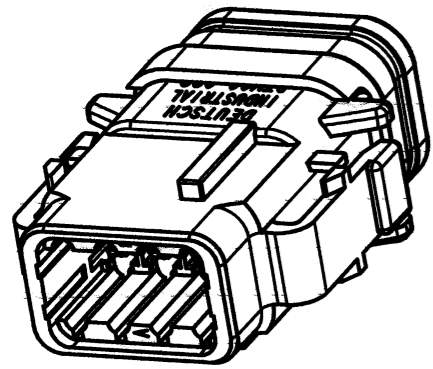
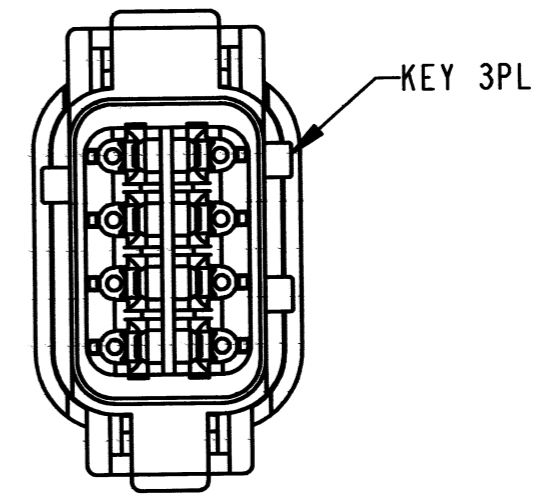
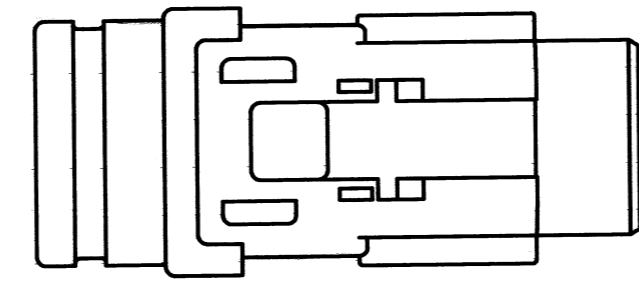
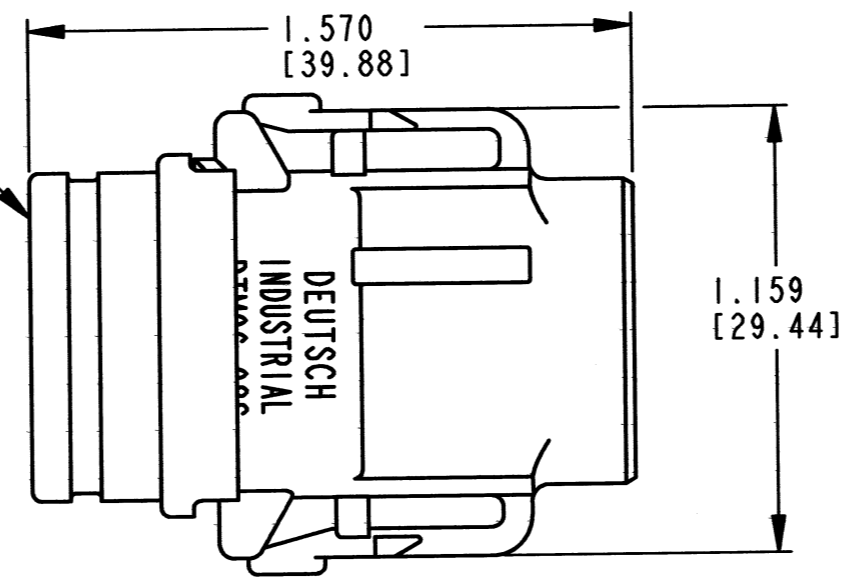
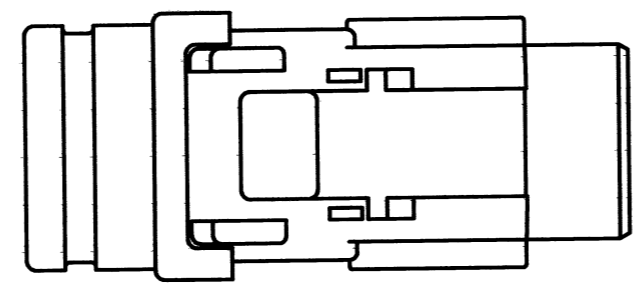


REV  
A DTM06-08S\*-E007

REVISIONS			
SYM	DESCRIPTION	DATE	APPROVED
NC	NEW RELEASE PER E.O. P17176	3/16/01	R.D.R.
A	REVISED PER E.O. P20732	3-25-11	RDR



8  
EXTENDED  
CAP



8. PART MODIFICATION.

- 7. SEE SHEET 2 FOR OTHER KEY ARRANGEMENT.
- 6. MATERIAL - HOUSING/EXTENDED CAP: PLASTIC; GROMMET: RUBBER.
- 5. THIS PLUG MATES WITH DTM04-08P\*-\*\*\*\* RECEPTACLE.  
(\* = A,B,C,D KEYS; \*\*\*\* = ALL MODIFICATIONS)

4. FOR CONTACT AND WIRE PERFORMANCE AND APPLICATION CHARACTERISTICS SEE ENVELOPE DRAWING 0425-015-0000.

- 3. SECONDARY WEDGE LOCK SOLD SEPARATELY: WM-8S.
  - 2. DIMENSION TOLERANCE: ±.025 [.64].
  - 1. DIMENSIONS ARE IN INCHES [mm].
- NOTES: UNLESS OTHERWISE SPECIFIED

CONTACT SIZE	MIN. INSUL. O.D.	MAX. INSUL. O.D.	WIRE RANGE [mm <sup>2</sup> ] REF ONLY
20	.053 [1.35]	.120 [3.05]	16-20 AWG [1.0-0.5]

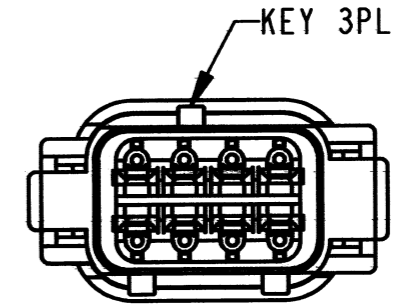
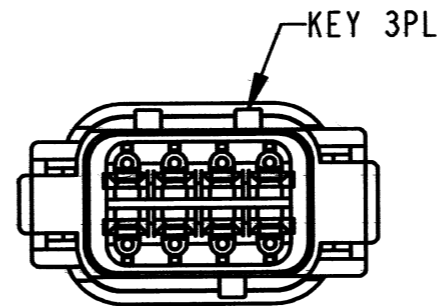
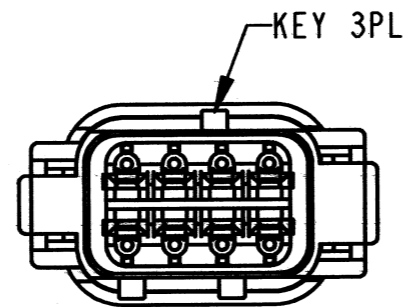
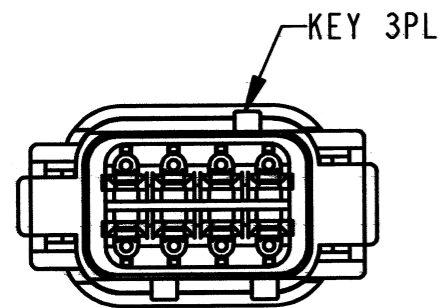
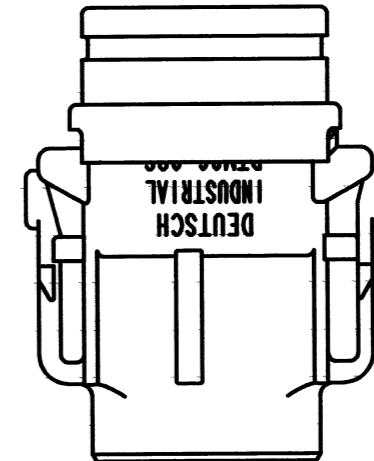
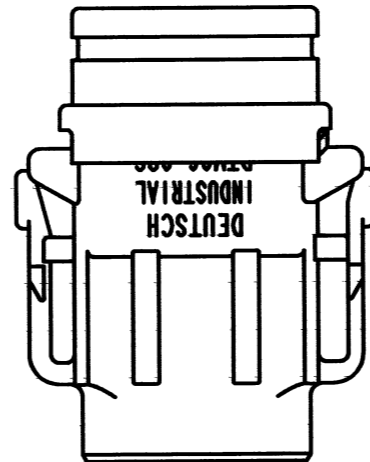
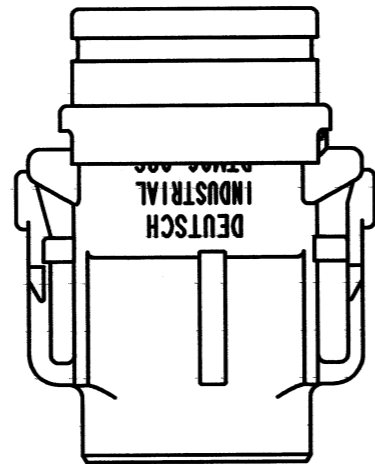
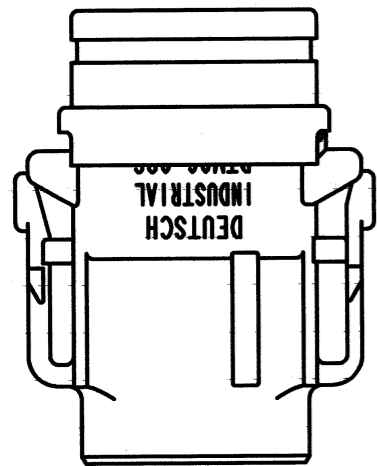
SIGNATURE & DATE	
DR	D. MEYER 03/09/01
CHK	<i>[Signature]</i> 3/23/2011
PE	<i>[Signature]</i> 3/16/11
APPD	<i>[Signature]</i> 3/18/11
SCALE	NONE WT _____

PLUG W/EXTENDED CAP  
8 CONTACTS, SIZE 20  
A,B,C,D KEYS  
-E007 MOD  
DTM SERIES

ENVELOPE

EP	MATL. CODE
3850 INDUSTRIAL AVE. HEMET, CA 92545	
<b>B</b> DTM06-08S*-E007	
DWG SIZE	CODE 11139 SHEET 1 OF 2

REV A	DTM06-08S*-E007	REVISIONS			
		SYM	DESCRIPTION	DATE	APPROVED
		A	SEE SHEET 1	3-25-11	RDR



**DTM06-08SA-E007**  
KEY -A-  
COLOR: GREY

**DTM06-08SB-E007**  
KEY -B-  
COLOR: BLACK

**DTM06-08SC-E007**  
KEY -C-  
COLOR: GREEN

**DTM06-08SD-E007**  
KEY -D-  
COLOR: BROWN

NOTES:

SIGNATURE & DATE		PLUG W/EXTENDED CAP 8 CONTACTS, SIZE 20 A, B, C, D KEYS -E007 MOD DTM SERIES	EP	MATL. CODE
DR	D. MEYER 03/09/01		3850 INDUSTRIAL AVE. HEMET, CA 92545	
CHK	B. Boyd 3/23/2011		DEUTSCH INDUSTRIAL	
PE	R. Milligan 3/16/11		B DTM06-08S*-E007	
APPD	S. Beard 3/18/11		DWG SIZE	CODE 11139
SCALE	NONE	WT	ENVELOPE	

## X-ON Electronics

Largest Supplier of Electrical and Electronic Components

*Click to view similar products for [Automotive Connectors](#) category:*

*Click to view products by [TE Connectivity](#) manufacturer:*

Other Similar products are found below :

[003-018-000](#) [600858](#) [60403001](#) [60993906-B](#) [60993913-B](#) [629515004020001](#) [M902-2131](#) [M902-2161](#) [M902-2344](#) [72.330.1035.1](#)  
[73.353.4028.0](#) [F118010](#) [F119300-B](#) [F132210](#) [F132210-B](#) [F166900](#) [F180100](#) [F258300](#) [F258300-B](#) [F294300-B](#) [F339100](#) [F339700](#) [F358300-](#)  
[B](#) [F374110](#) [F407400](#) [F412210](#) [F427600](#) [F444110](#) [F487000](#) [F495100-B](#) [F500900-B](#) [F509500B-B](#) [770444-1](#) [776880-1](#) [827153-1](#) [881735-1](#)  
[8N1515-32-24P](#) [9-1326729-8](#) [925467-1](#) [925474-1](#) [928905-1](#) [936398-2](#) [964562-1](#) [964562-4](#) [964731-2](#) [965051-1](#) [968782-1](#) [GT17SA-8DS-](#)  
[HU](#) [GT17VS-10DP-5.2CF](#) [98315-0001](#)