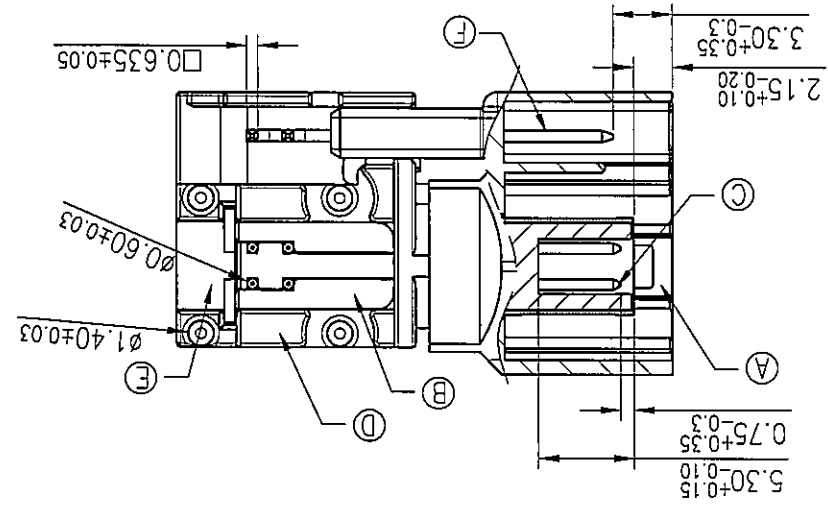
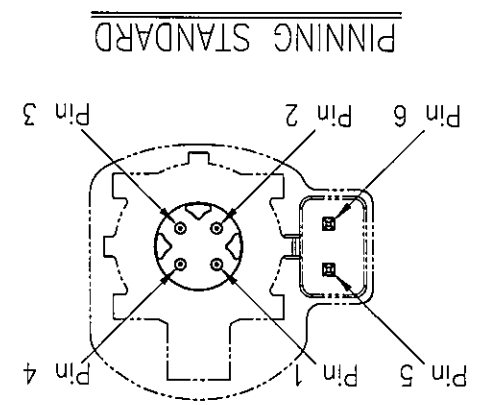
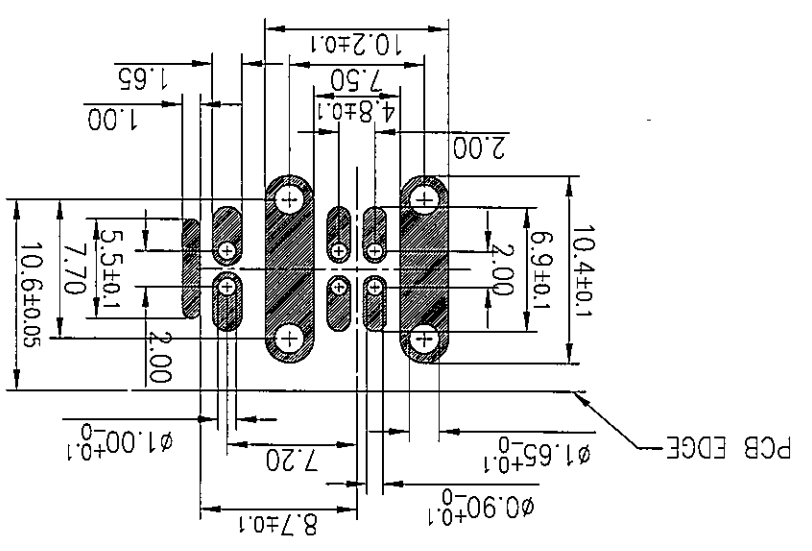
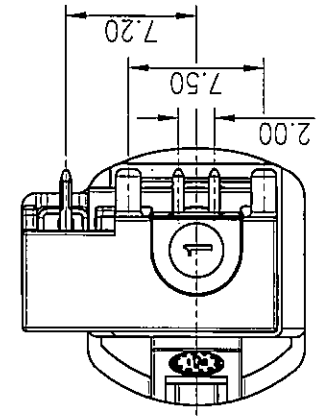
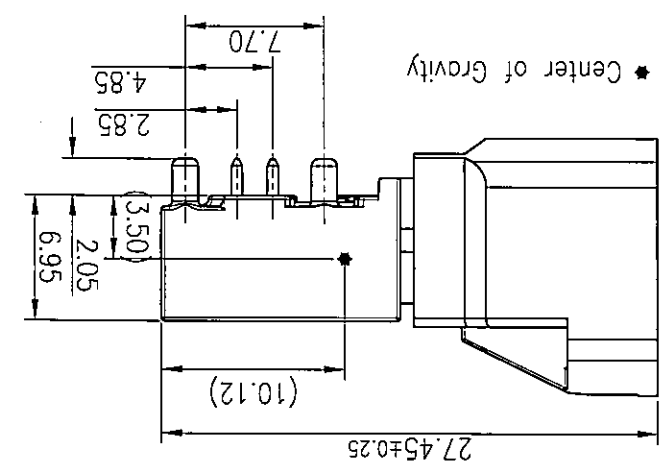
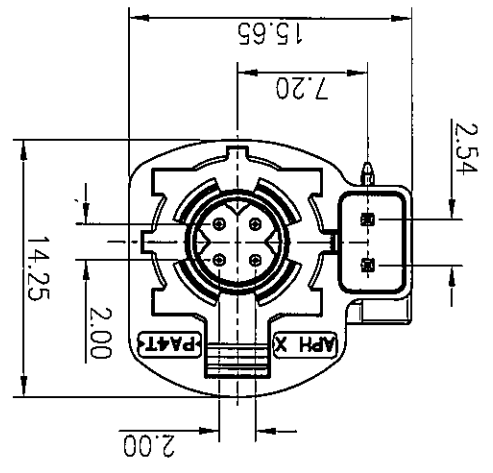


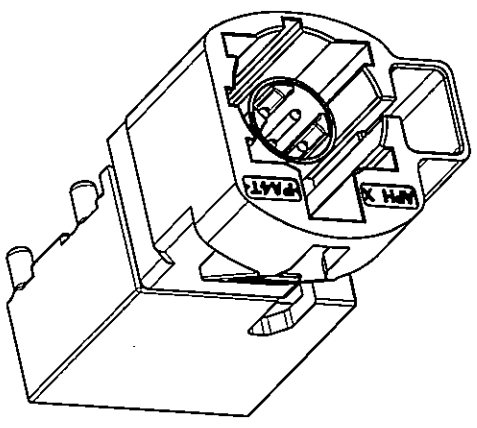
This document is the property of Amphenol Corporation and is delivered on the express condition that it is not to be disclosed, reproduced or used, in whole or in part, for manufacture or sale by anyone other than Amphenol Corporation without its prior consent, & that no right is granted to disclose or to use any information in this document.

CUSTOMER DRAWING

REVISIONS			
SYM	ECN	DESCRIPTION	DATE
5	HK7310	new design	1/25/16
			APPROVED
			IP



Plug	Coding	Color	Rai
A	Black	9005	
B	White	9001	
C	Blue	5005	
D	Claret	4004	
E	Green	6002	
F	Brown	8011	
Z	Waterblue	5021	



UNLESS OTHERWISE SPECIFIED	
TOLERANCES	U.S. METRIC
	ANGLES +/−
	FRACTIONS +/−
	DECIMALS +/−
	ANGLES +/−
	FRACTIONS +/−
	DECIMALS +/−
	U.S. METRIC

DRAWING FILE :	
DATE	APPROVAL
1/25/16	Koko Yang
CHECKED	with
1/28/16	

TITLE	
HSD + 2MS R/A PLUG NORTH LOCATION	
SIZE	A3
DRAWING NO.	HSDNXXRPPCB7X
REV.	5
SCALE 1:1	
SHEET 1 OF 1	

- Notes:
- Material:
 - Finish:
 - Center contact: Gold plated at mating area;
 - Outer contact: Tin plated;
 - MOS contact: Tin plated;
 - Order P/N system:
 - RoHS compliant;
 - Center contact: Copper alloy;
 - Outer contact: Zinc alloy;
 - Cover: Zinc alloy;
 - MOS contact: Copper alloy;
 - Center contact: Copper alloy;
 - Outer contact: Zinc alloy;
 - Dielectric: High temperature thermoplastic,color black.
 - Housing: High temperature thermoplastic,color see table 1.
- Packing method:
 A- Packing by tape & reel
 B- Packing by tray
 C- Single Packing

Table 1

RECOMMENDED PCB LAYOUT TOP VIEW
 TOLERANCE:±0.05(PCB THICKNESS=1.6±0.15mm)

Coding: See table 1
 HSD NXXRP PCB 7X

Amphenol

3D PROFILE

X-ON Electronics

Largest Supplier of Electrical and Electronic Components

Click to view similar products for [Automotive Connectors](#) category:

Click to view products by [Amphenol](#) manufacturer:

Other Similar products are found below :

[003-018-000](#) [600858](#) [60403001](#) [60993906-B](#) [60993913-B](#) [629515004020001](#) [M902-2131](#) [M902-2161](#) [M902-2344](#) [72.330.1035.1](#)
[73.353.4028.0](#) [F118010](#) [F119300-B](#) [F132210](#) [F132210-B](#) [F166900](#) [F180100](#) [F258300](#) [F258300-B](#) [F294300-B](#) [F339100](#) [F339700](#) [F358300-](#)
[B](#) [F374110](#) [F407400](#) [F412210](#) [F427600](#) [F444110](#) [F487000](#) [F495100-B](#) [F500900-B](#) [F509500B-B](#) [770444-1](#) [776880-1](#) [827153-1](#) [881735-1](#)
[8N1515-32-24P](#) [9-1326727-8](#) [9-1326729-8](#) [925467-1](#) [925474-1](#) [928905-1](#) [936398-2](#) [964562-1](#) [964562-4](#) [964731-2](#) [965051-1](#) [968782-1](#)
[GT17SA-8DS-HU](#) [GT17VS-10DP-5.2CF](#)