

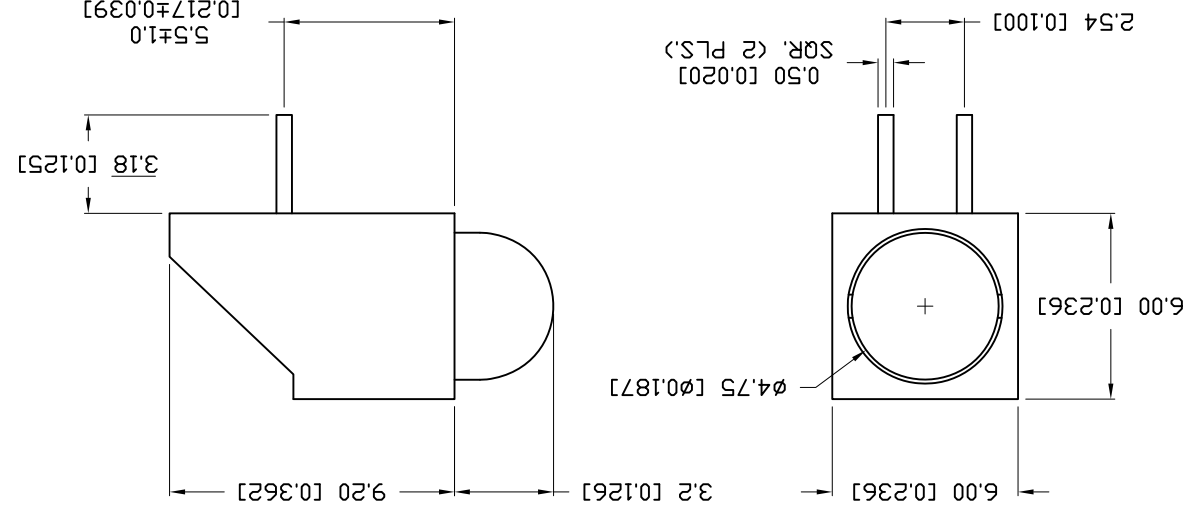
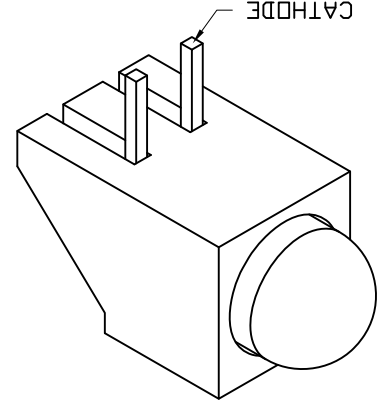
UNLESS OTHERWISE SPECIFIED TOLERANCES PER DECIMAL PRECISION ARE: X±1 (±0.039), XX±0.5 (±0.020), XXX±0.25 (±0.010), XXXX±0.127 (±0.005), LEAD SIZE±0.05 (±0.002), LEAD LENGTH±0.75 (±0.030), MIN±0.00
 *DECIMAL PRECISION MAX.= ±0.00
 -0.00

CONFIDENTIAL INFORMATION
 THE INFORMATION CONTAINED IN THIS DOCUMENT IS THE PROPERTY OF LUMEX INC. EXCEPT AS SPECIFICALLY AUTHORIZED IN WRITING BY LUMEX INC., THE HOLDER OF THIS DOCUMENT SHALL KEEP ALL INFORMATION CONTAINED HEREIN CONFIDENTIAL AND SHALL PROTECT SAME IN WHOLE OR IN PART FROM DISCLOSURE AND DISSEMINATION TO ALL THIRD PARTIES.
 THE SPECIFICATIONS MAY CHANGE AT ANY TIME WITHOUT NOTICE DUE TO NEW MATERIALS OR PRODUCT IMPROVEMENT.

DATE: 01.16.13	DRAWN BY: MA
PAGE: 1 OF 1	CHKD BY: SS
SCALE: NTS	APRD BY: SS
UNIT: mm [INCH]	

UNCONTROLLED DOCUMENT

- NOTES:
 1. SSL-LX507F3GD, GREEN LED.
 2. SSH-LXH100, BLACK HOLDER.



LIMITS OF SAFE OPERATION AT 25°C

PARAMETER	MAX	UNITS
PEAK FORWARD CURRENT*	150	mA
STEADY CURRENT	25	mA
POWER DISSIPATION	105	mW
DERATE FROM 25°C	-1.2	mW/°C
OPERATING, STORAGE TEMP.	-40 TO +85	°C
SOLDERING TEMP.	+260	°C
2.0mm FROM BODY	3 SEC. MAX	

* $t < 10\mu s$

ELECTRO-OPTICAL CHARACTERISTICS $I_A=25°C$ $I_f=20mA$

PARAMETER	MIN	TYP	MAX	UNITS	TEST COND
PEAK WAVELENGTH	565			nm	
FORWARD VOLTAGE	2.2	2.6		V _f	
REVERSE VOLTAGE	5.0			V _r	$I_f=100\mu A$
AXIAL INTENSITY	30			mcd	$I_f=20mA$
VIEWING ANGLE	60			2x theta	
EMITTED COLOR:	GREEN				
EPOXY LENS FINISH:	GREEN DIFFUSED				

REV. A	DATE	E.C.N. NUMBER AND REVISION COMMENTS
REV. A	01.16.13	E.C.N. #10BRDR. & REDRAWN.
REV. A	PART NUMBER	SSF-LXH100GD-RP

UNCONTROLLED DOCUMENT

X-ON Electronics

Largest Supplier of Electrical and Electronic Components

Click to view similar products for [LED Circuit Board Indicators](#) category:

Click to view products by [Lumex](#) manufacturer:

Other Similar products are found below :

[568-0200-132F](#) [568-0701-841F](#) [568-0734-832F](#) [569-0312-300F](#) [591-2001-107F](#) [592-2222-302F](#) [592-2424-302F](#) [LTL-4221NH129](#) [LTL-42DGNMHDP1](#) [LTM-260-5HT](#) [H131CSRT-120](#) [HLMP1503108F](#) [HLMP1521101](#) [HLMP1523802F](#) [HLMP1700101F](#) [HLMP1700104F](#) [HLMP1790105F](#) [BHA-1564-G](#) [SMF-HM1530YD-305](#) [SSF-LXH103SUGD-04](#) [AM2520EHSGD](#) [HLMP1301104F](#) [HLMP1385101F](#) [HLMP1421101](#) [HLMP1503103F](#) [HLMP1503104F](#) [HLMP1700102F](#) [HLMP1700106F](#) [HLMP1700107F](#) [HLMP1790101F](#) [HLMP1790103F](#) [LTL-4211NHBP](#) [5320F7](#) [5330H7](#) [5350T7](#) [5352T1-5VLC](#) [5352T5-5VLC](#) [5370T7LC](#) [550-1112F](#) [550-3107-010F](#) [551-0206-003F](#) [551-0207-815F](#) [551-0212-801F](#) [551-2802F](#) [552-0794-810F](#) [552-0821F](#) [552-6033-200F](#) [553-0001-808F](#) [553-0122-818F](#) [553-0171F](#)