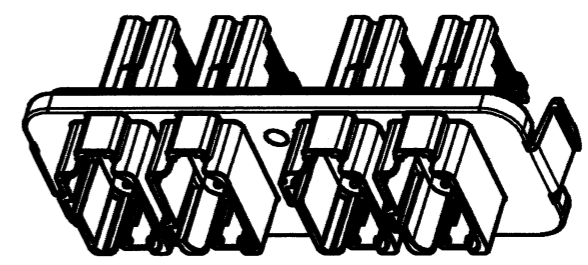
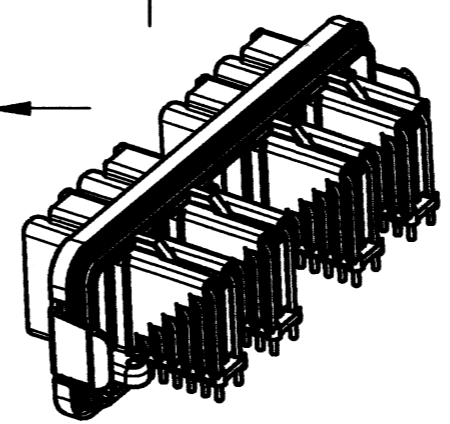
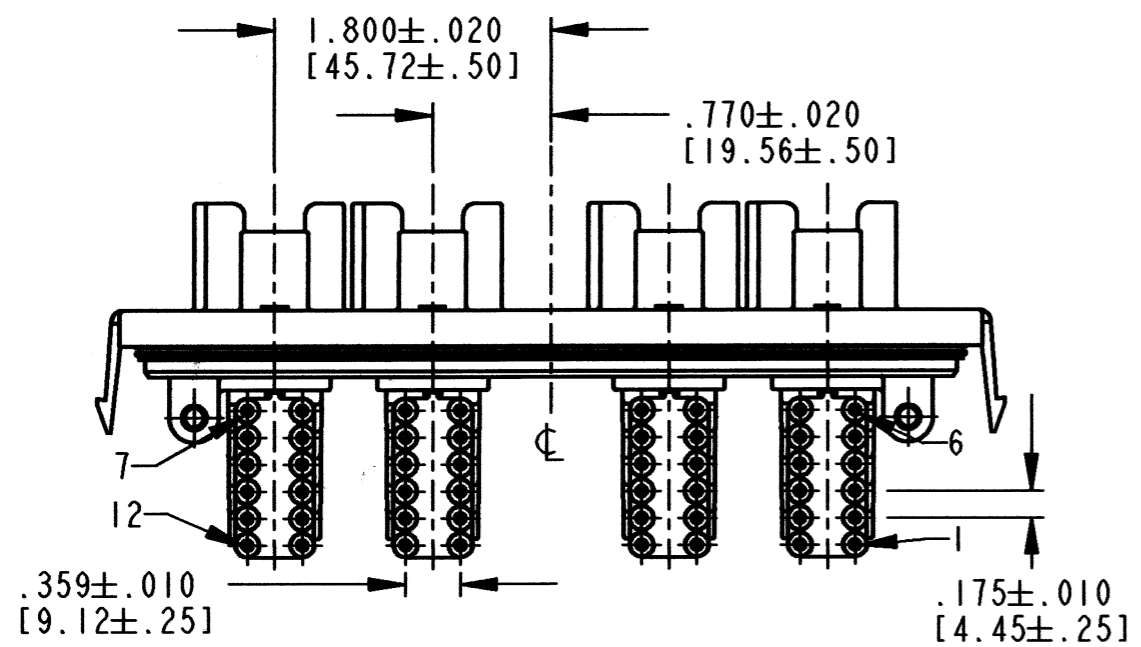
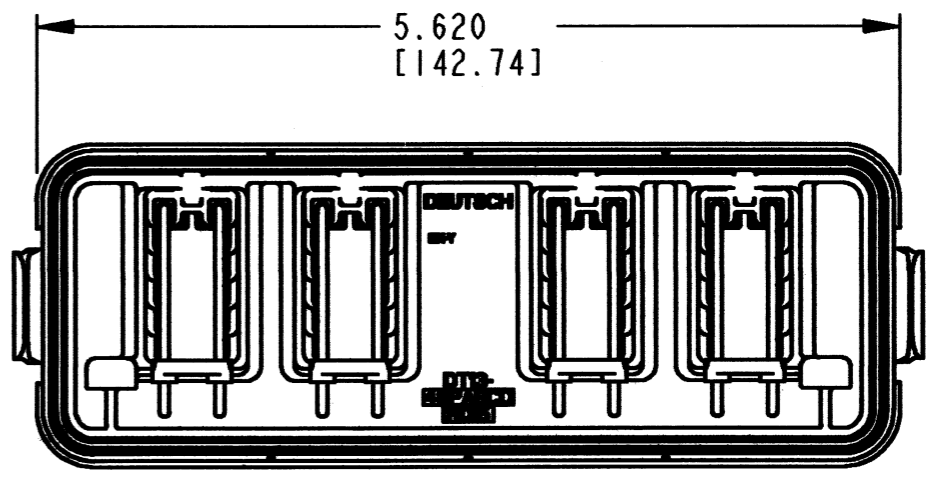
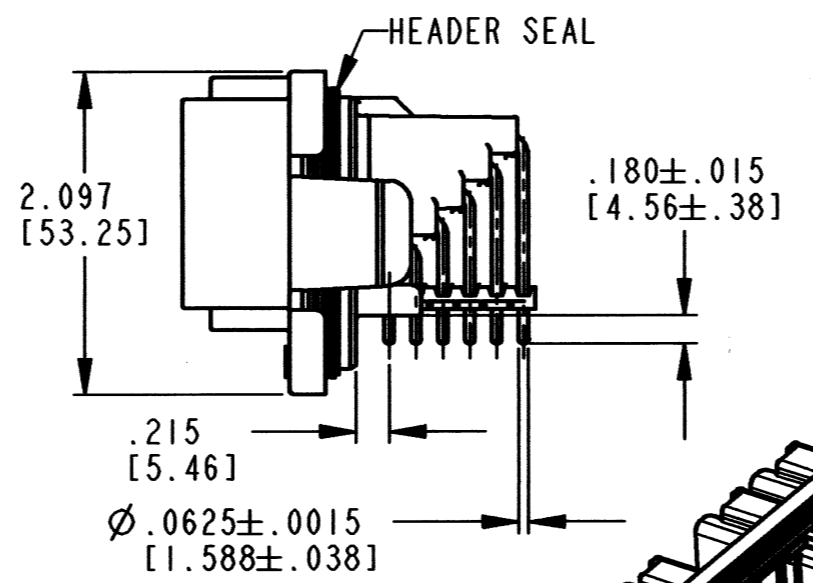
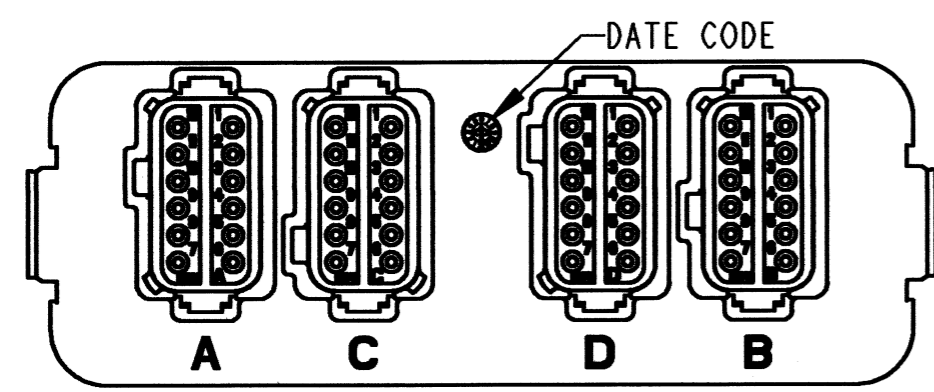
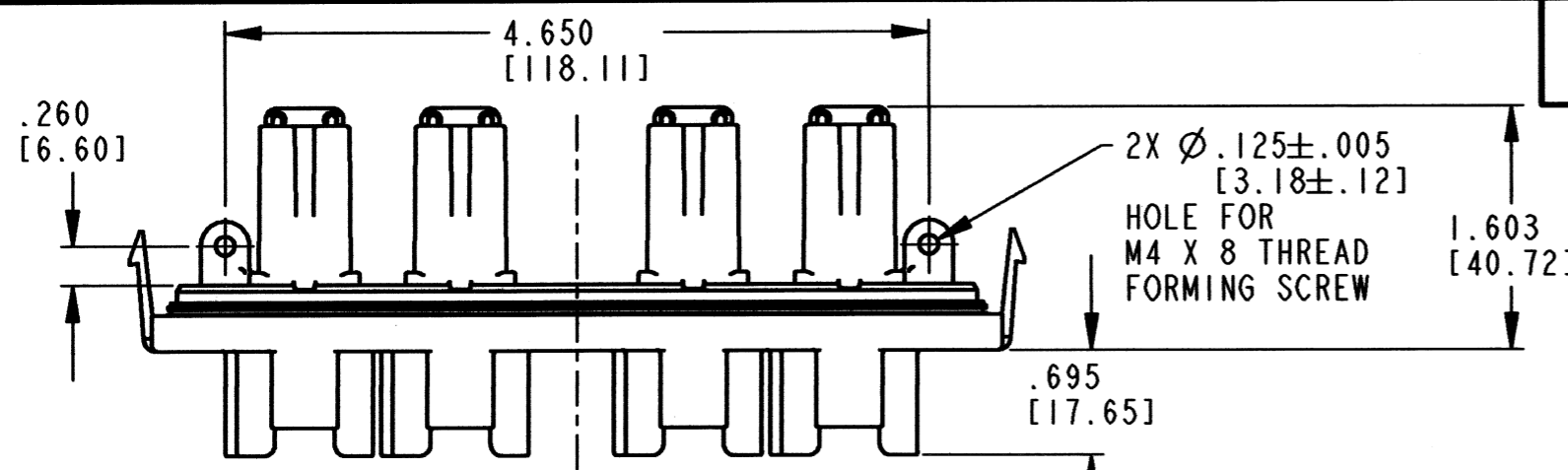


REV NC DT13-\*P\*-R015

| REVISIONS |                             |          |          |
|-----------|-----------------------------|----------|----------|
| SYM       | DESCRIPTION                 | DATE     | APPROVED |
| NC        | NEW RELEASE PER E.O. P20721 | 12-17-10 | RDR      |
|           |                             |          |          |
|           |                             |          |          |



7. DT13-48PABCD-R015, SHOWN FOR REFERENCE ONLY. DRAWING APPLIES TO ALL ARRANGEMENTS. (\* = PIN ARR. 12, 24, 36, 48; \*<sup>2</sup> = KEY ARR. A, B, C, D) OTHER ARRANGEMENTS WILL BE WITHOUT PINS OR PIN SPACER IN THE UNUSED KEYS. EX: DT13-12PA-R015 OR DT13-24PAB-R015.

6. THIS RECEPTACLE HEADER IS USED WITH EEC-5X650(A OR B) ENCLOSURE. SEE ENVELOPE DRAWING EEC-5X650A/B FOR ENCLOSURE INFORMATION.

- 5. THIS RECEPTACLE MATES WITH DT06-12S\*-\*\*\*\* PLUGS (\* = A, B, C, D KEYS; \*\*\*\* = ALL MODIFICATIONS). CONSULT FACTORY FOR MODIFICATIONS.
- 4. MATERIAL - PLASTIC (BLACK); SEAL: RUBBER.
- 3. CONTACT PLATING: TIN
- 2. DIMENSIONS ARE ±.025 [.64] UNLESS OTHERWISE SPECIFIED.

NOTES: 1. DIMENSIONS ARE IN INCHES [MILLIMETERS].

| SIGNATURE & DATE |                             |
|------------------|-----------------------------|
| DR               | R. MESSENGER 7/21/10        |
| CHK              | <i>[Signature]</i> 12/17/10 |
| PE               | <i>[Signature]</i> 12/10/10 |
| APPD             | <i>[Signature]</i> 12/17/10 |
| SCALE            | NONE WT                     |

RECEPTACLE HEADER  
4 X 12 #16 SIZE PINS  
DT SERIES  
ENVELOPE

|   |                       |
|---|-----------------------|
| EP 208  | MATL. CODE            |
| 3850 INDUSTRIAL AVE.<br>HEMET, CA 92545<br><b>DEUTSCH</b><br>INDUSTRIAL |                       |
| <b>B</b>  | <b>DT13-*P*-R015</b>  |
| DWG SIZE  | CODE 11139 SHEET   OF |

## X-ON Electronics

Largest Supplier of Electrical and Electronic Components

*Click to view similar products for [Automotive Connectors](#) category:*

*Click to view products by [TE Connectivity](#) manufacturer:*

Other Similar products are found below :

[003-018-000](#) [600858](#) [60403001](#) [60993906-B](#) [60993913-B](#) [629515004020001](#) [M902-2131](#) [M902-2161](#) [M902-2344](#) [72.330.1035.1](#)  
[73.353.4028.0](#) [F118010](#) [F119300-B](#) [F132210](#) [F132210-B](#) [F166900](#) [F180100](#) [F258300](#) [F258300-B](#) [F294300-B](#) [F339100](#) [F339700](#) [F358300-](#)  
[B](#) [F374110](#) [F407400](#) [F412210](#) [F427600](#) [F444110](#) [F487000](#) [F495100-B](#) [F500900-B](#) [F509500B-B](#) [770444-1](#) [776880-1](#) [827153-1](#) [881735-1](#)  
[8N1515-32-24P](#) [9-1326727-8](#) [9-1326729-8](#) [925467-1](#) [925474-1](#) [928905-1](#) [936398-2](#) [964562-1](#) [964562-4](#) [964731-2](#) [965051-1](#) [968782-1](#)  
[GT17SA-8DS-HU](#) [GT17VS-10DP-5.2CF](#)