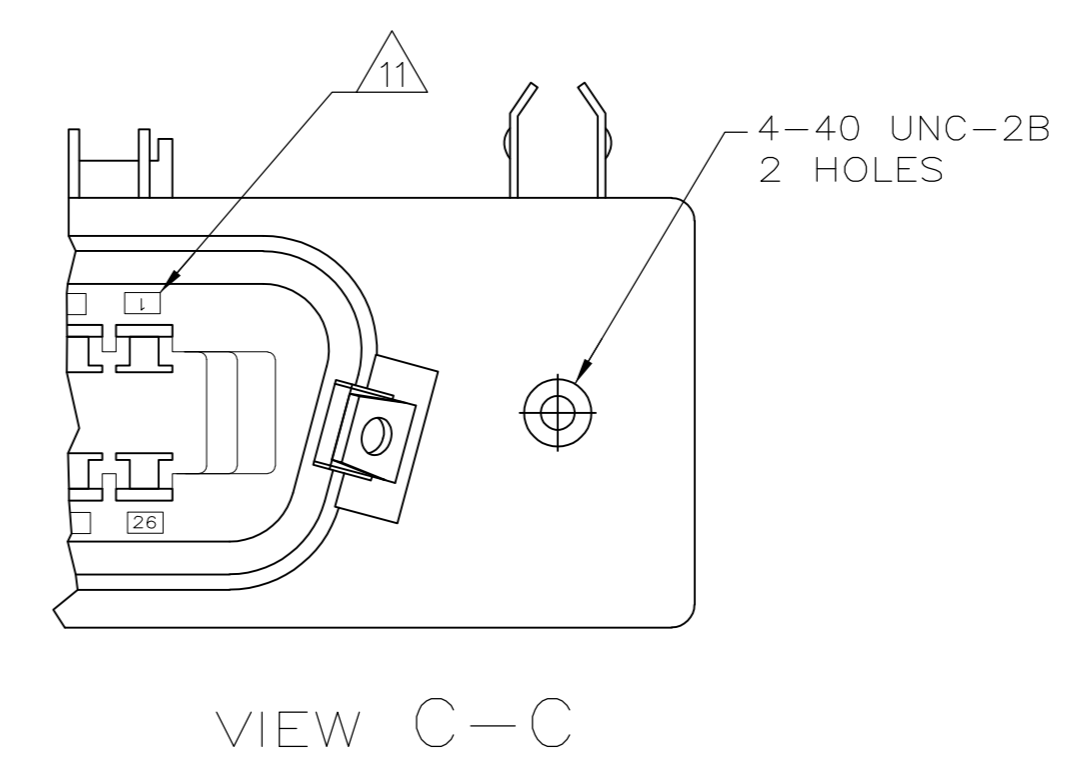
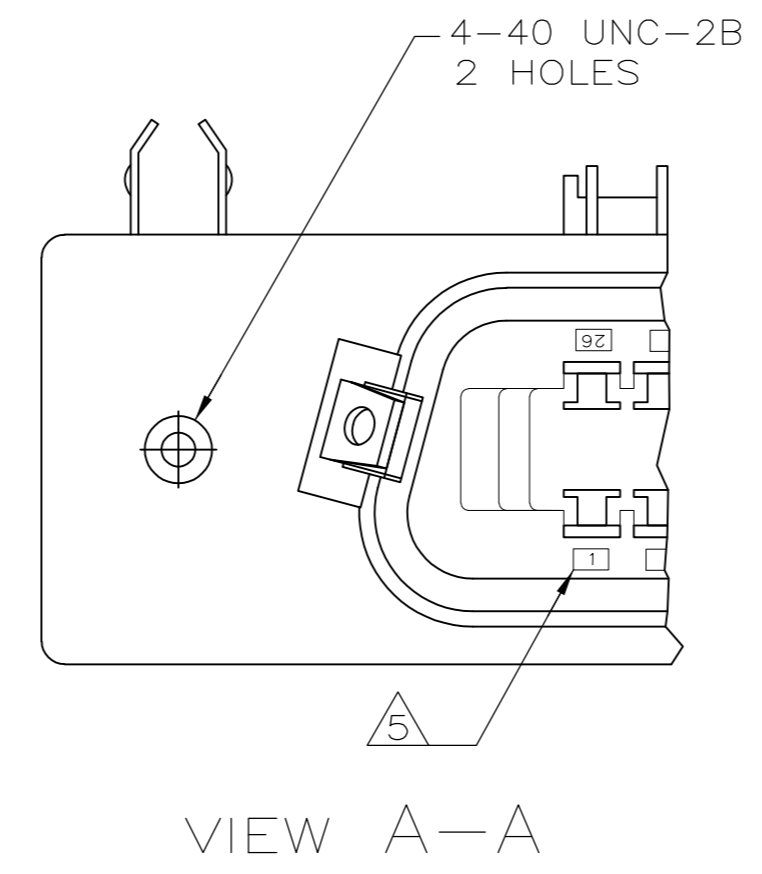
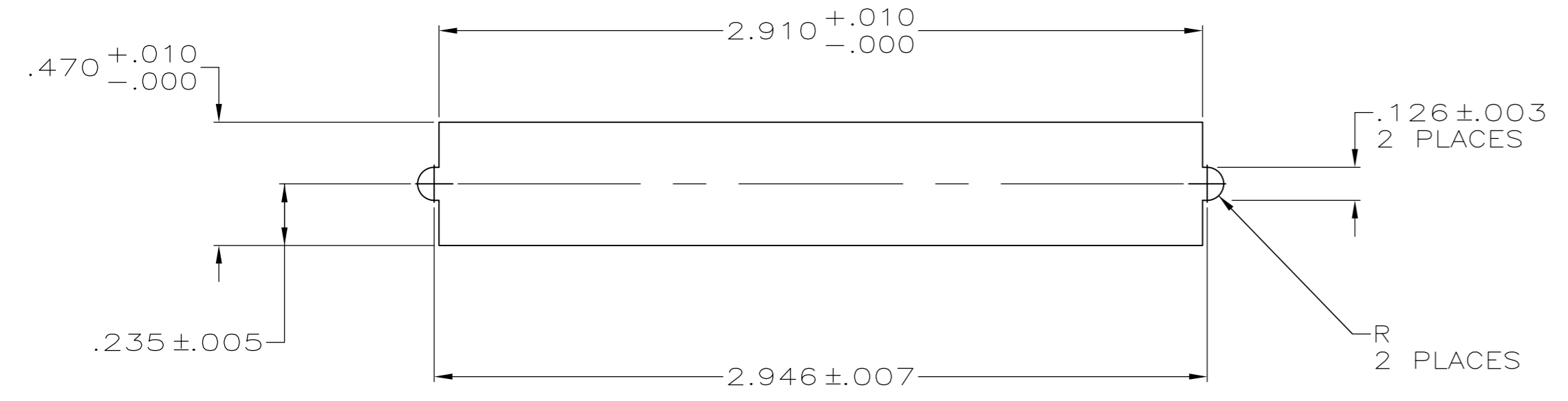


LOC		DIST		REVISIONS			
P	LTR	DATE	BY	APPD	DESCRIPTION	DATE	BY
C4		22OCT2012	CJV	PAR	REVISED PER ECO-12-018352		

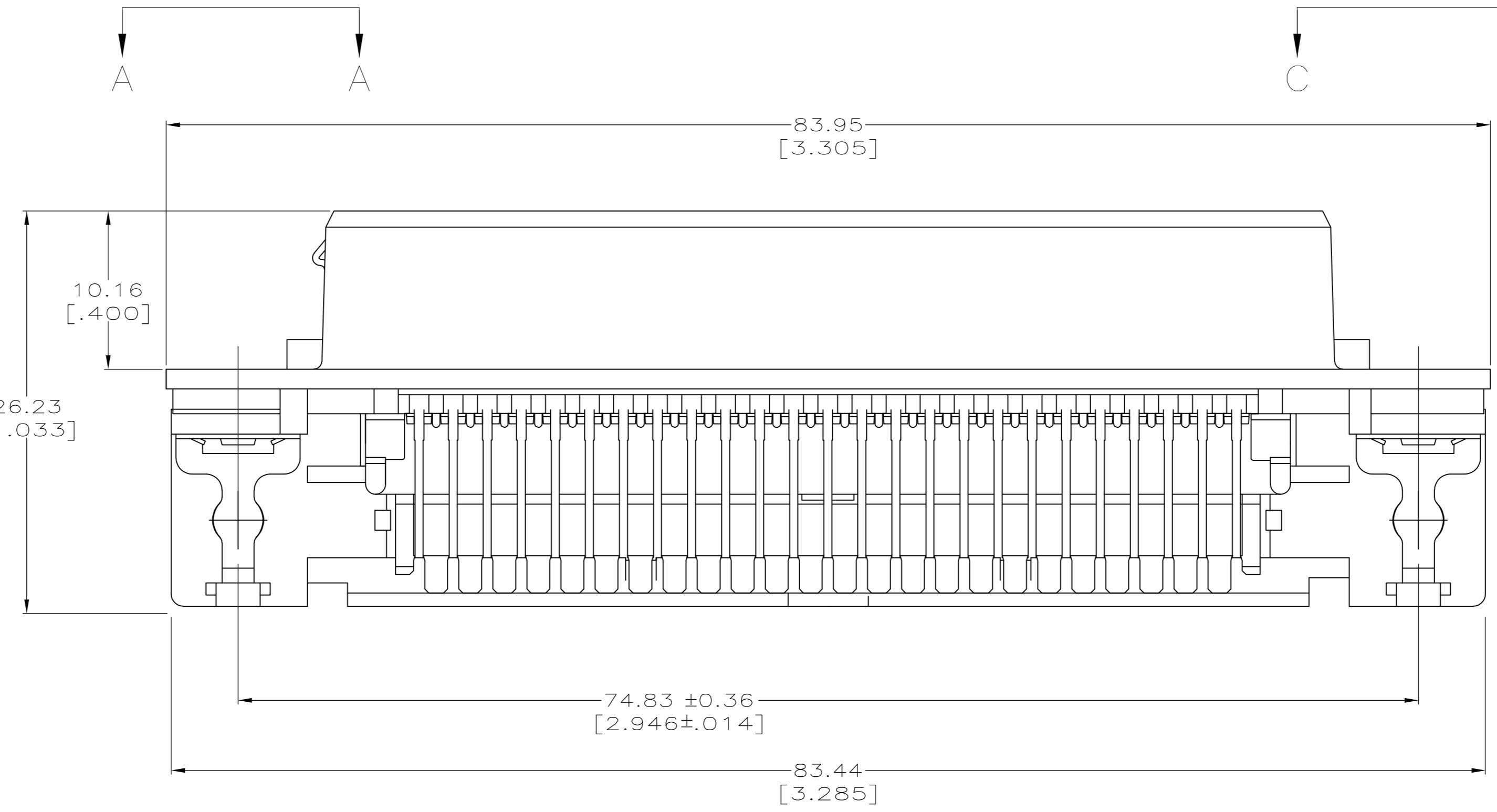
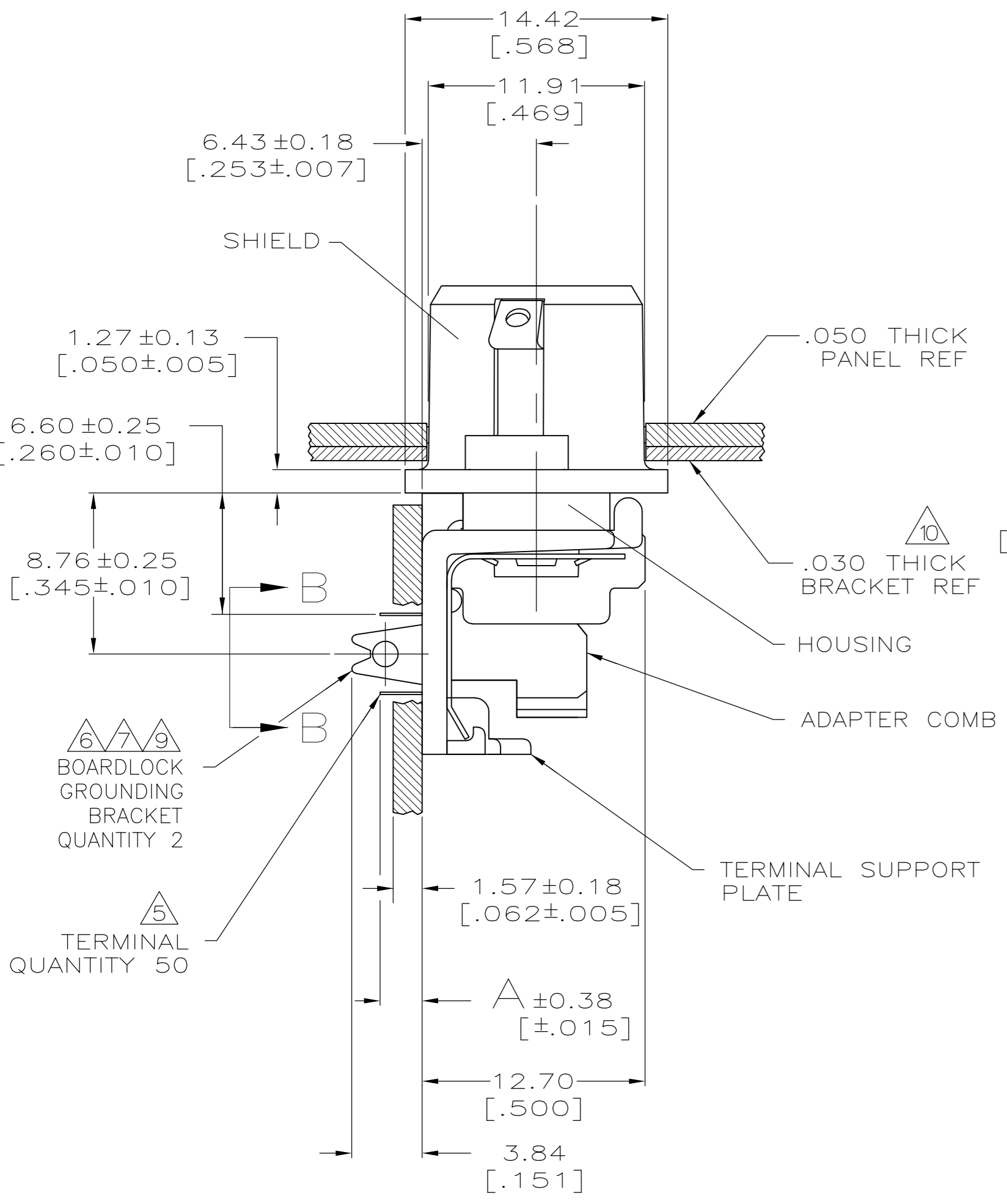


SUGGESTED BRACKET CUTOUT  
MOUNTING DIMENSIONS  
SCALE 2:1

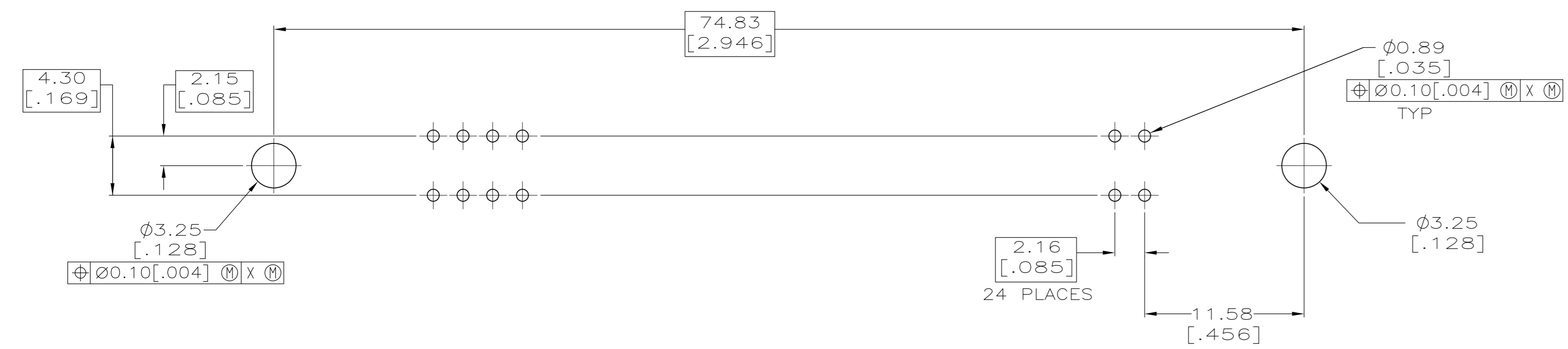
VIEW A-A

VIEW C-C

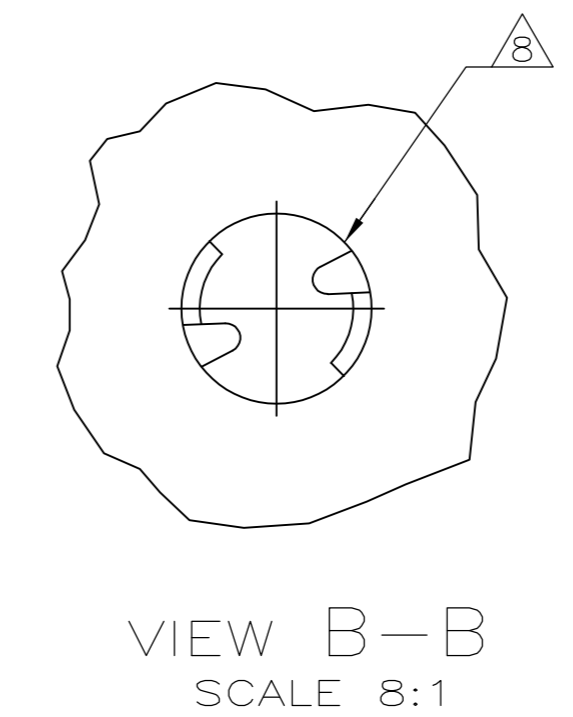
- 1 MATERIAL:  
HOUSING, ADAPTER COMB & SUPPORT PLATE - POLYESTER, BLACK. TERMINALS - HIGH STRENGTH COPPER ALLOY PLATED WITH EITHER 0.76µm [.000030] MIN GOLD PLATE OR GOLD FLASH OVER PALLADIUM NICKEL PLATE, 0.76µm [.000030] MIN TOTAL ON MATING SURFACE. 3.05µm [.000120] MIN TIN PLATE ON TAILS. ALL OVER 1.27µm [.000050] MIN NICKEL UNDERPLATE OVER ENTIRE TERMINAL.  
SHIELD - BRIGHT NICKEL OVER COPPER PLATED ZINC.  
BOARDLOCK GROUND BRACKET - TIN PLATED CARBON STEEL.
- 2. THE CONTACT SURFACES OF THE TERMINALS ARE COATED WITH LUBRICANT.
- 3. CENTER-TO-CENTER SPACING OF TERMINALS IS 2.16 [.085] NOMINAL.
- 4 ALL DIMENSIONS SHOWN ARE MAXIMUM UNLESS OTHERWISE SPECIFIED.
- 5 TERMINAL 1 LOCATED IN THIS ROW FOR STANDARD ORIENTATION, SEE VIEW A-A.
- 6 BOARDLOCK GROUNDING BRACKET RETAINS CONNECTOR IN 1.58 [.062] THICK PC BOARD WITHOUT ADDITIONAL HARDWARE.
- 7 BOARDLOCK GROUNDING BRACKET LOCATES CONNECTOR FLUSH WITH TOP OF PC BOARD AND SPRING LOCKS BENEATH.
- 8 CYLINDRICAL SHAPE OFFERS 180° OF SOLDERING SURFACE.
- 9 SURFACE AREA OF BOARDLOCK GROUNDING BRACKET BELOW PC BOARD SHALL PASS SOLDERABILITY REQUIREMENTS IN ACCORDANCE WITH AMP SPEC 109-11-2. DISCOLORATION, SCRATCHES, SPOTS AND OTHER COSMETIC DEFICIENCIES TYPICAL OF BARREL PLATING PROCESSES ARE ACCEPTABLE PROVIDING PARTS PASS 24 HOUR EXPOSURE AT 95% RH AT 40°C WITHOUT EVIDENCE OF CORROSION.
- 10 OPTIONAL BRACKET SUPPLIED BY CUSTOMER.
- 11 TERMINAL 1 LOCATED IN THIS ROW FOR REVERSE ORIENTATION, SEE VIEW C-C.
- 12 OBSOLETE PARTS: OBSOLETE CIS STREAMLINING PER D.RENAUD/D.SINISI



6339447-1 AS SHOWN



SUGGESTED PRINTED CIRCUIT BOARD  
MOUNTING DIMENSIONS



VIEW B-B  
SCALE 8:1

REV	DESCRIPTION	DATE	BY	APPD
1	STANDARD, VIEW A-A			
2	REVERSE, VIEW C-C			
3	REVERSE, VIEW C-C			
4	STANDARD, VIEW A-A			
5	REVERSE, VIEW C-C			
6	REVERSE, VIEW C-C			
7	STANDARD, VIEW A-A			
8	REVERSE, VIEW C-C			
9	STANDARD, VIEW A-A			
10	REVERSE, VIEW C-C			
11	STANDARD, VIEW A-A			
12	REVERSE, VIEW C-C			

THIS DRAWING IS A CONTROLLED DOCUMENT.

DIMENSIONS: mm [INCHES]

TOLERANCES UNLESS OTHERWISE SPECIFIED:

0. PLC	± .005
1. PLC	± .004
2. PLC	± .003
3. PLC	± .002
4. PLC	± .001
ANGLES	± .001

MATERIAL: 1

FINISH: 1

STE TE Connectivity

RECEPTACLE ASSEMBLY, LOW PROFILE, SHIELDED, RIGHT ANGLE, 50 POSITION, BOARD LOCK, INTEGRAL LOCKING LATCH, CHAMP

SIZE: A1 CAGE CODE: 00779 DRAWING NO: 6339447

SCALE: 4:1 SHEET: 1 OF 1 REV: C4

## X-ON Electronics

Largest Supplier of Electrical and Electronic Components

*Click to view similar products for [D-Sub Standard Connectors](#) category:*

*Click to view products by [TE Connectivity](#) manufacturer:*

Other Similar products are found below :

[DCM37S732N](#) [DAM15P500](#) [DEV09S364GTLF](#) [DEM09P032N](#) [DDM50P732N](#) [DAM15S332N](#) [173109-2218](#) [173109-2466](#) [173109-2436](#)  
[173109-2435](#) [56F706-005-LI](#) [56F711-015](#) [015-0341-000](#) [015-0372-008](#) [015-8544-011](#) [017041-0005](#) [020419-0104](#) [012-0515-000](#) [012-9507-](#)  
[034](#) [012-9507-114](#) [012-9534-001](#) [020745-0008](#) [609-25P](#) [M24308/2-23Z](#) [M243082310F](#) [M243082410F](#) [M243082411F](#) [M24308/4-21](#)  
[CT1A18-11PSA206](#) [CT1N36-5SC](#) [CT2-16S-17PS](#) [CT2-20-15PCAU](#) [CT2-24-12PS](#) [CT2-24-28PSF127A206](#) [CT2-32-9PC](#) [CT6F9767-14-4-](#)  
[14S-5PC](#) [CT6FA10SL-4PS](#) [CT7-18-10SC](#) [CT7-18-10SCAU](#) [CT7-18-12SCAU](#) [CT7-18-1PC](#) [CT7-18-1PCAU](#) [CT7-18-21SCAU](#) [M83513/01-](#)  
[FC](#) [M83723/76W24619 L/C](#) [M85049/48-3-2F](#) [69001-865](#) [6STD09PCM99B70X](#) [6STD09SCM99B30X](#) [6STD09SCT99S40X](#)