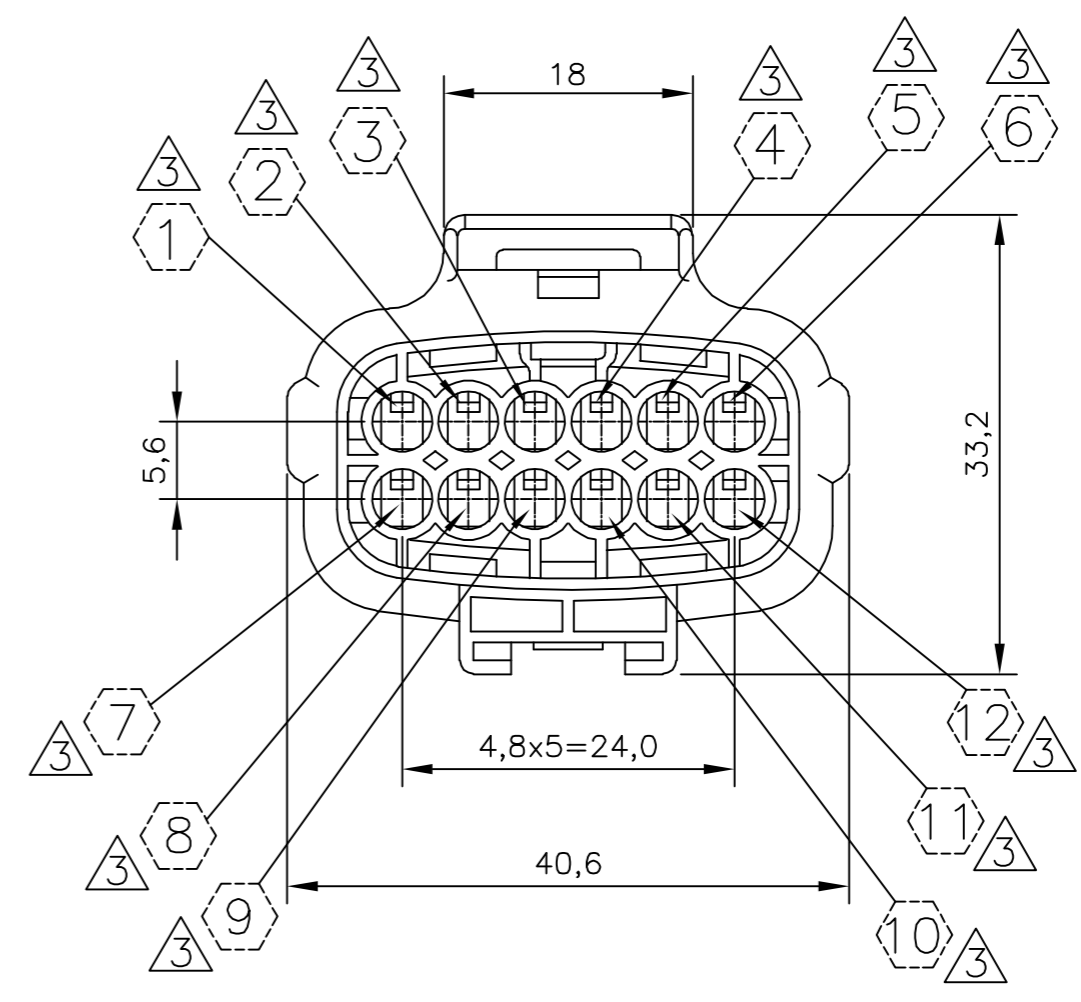
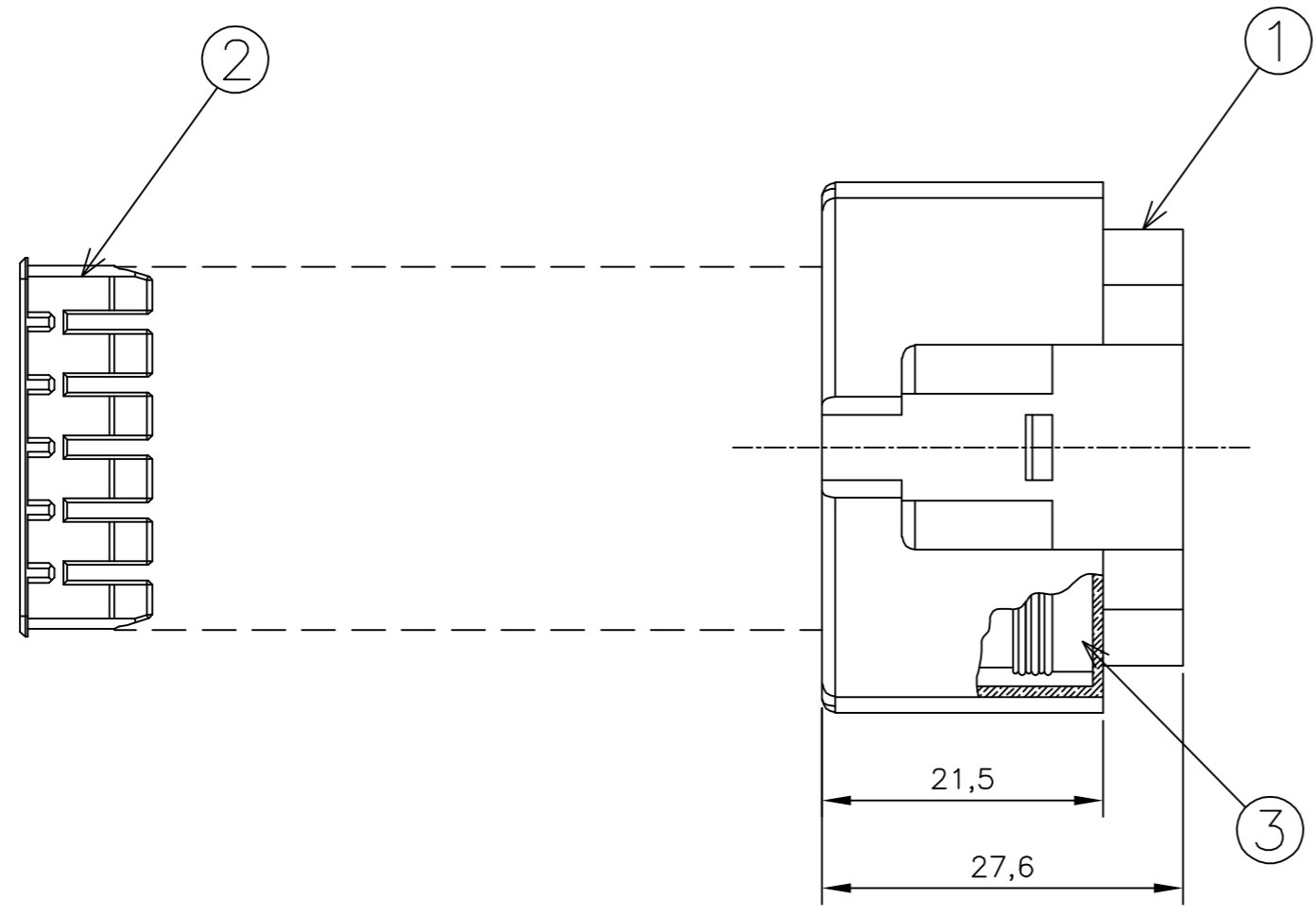
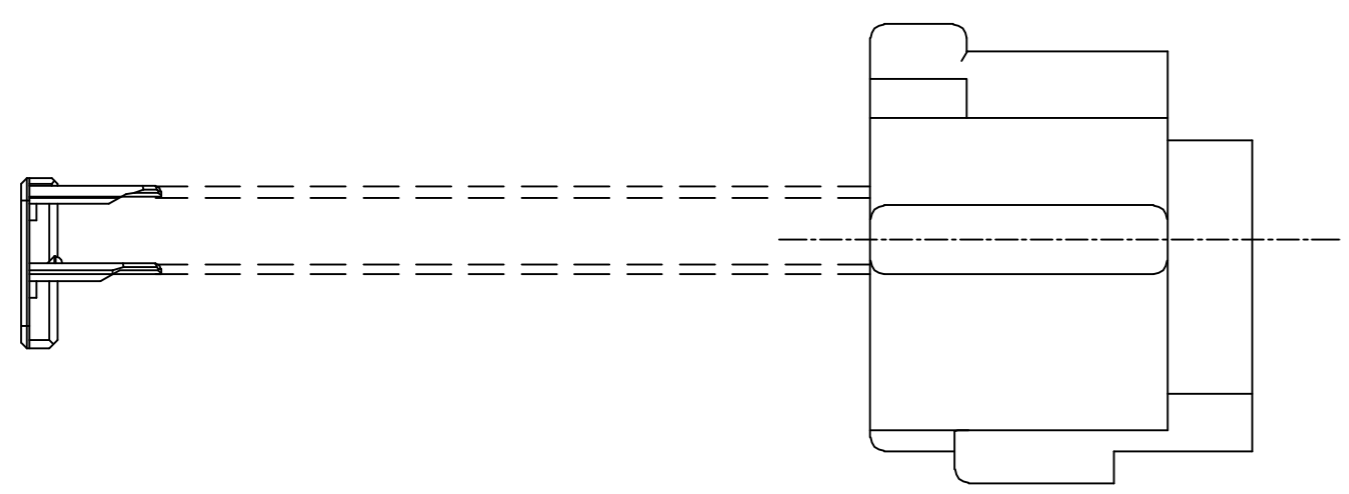


LOC		DIST		REVISIONS			
P	LTR	DESCRIPTION	DATE	DWN	APVD		
AP	-	B1	REVISED DESIGN ECO-12-009649	23MAY2012	NCL	GOJ	



- 1 - OS ITENS 1 e 2 DEVEM SER FORNECIDOS DESMONTADOS  
ITEMS 1 AND 2 MUST BE SUPPLIED NOT ASSEMBLED
- 2 - OS ITENS 1 e 3 DEVEM SER FORNECIDOS MONTADOS  
ITEMS 1 AND 3 MUST BE SUPPLIED ASSEMBLED
- 3 - INDICAÇÃO DOS CIRCUITOS SOMENTE ORIENTATIVO: NÃO CONSTAM COMO GRAVAÇÃO NA PEÇA FÍSICA  
CIRCUIT INDICATION IS ONLY ORIENTATIVE: DON'T HAVE MARKING IN THE PHYSICAL PART
- 4 - CONTRA-PEÇA: VER DESENHO PN 444010  
COUNTER-PART: SEE DRAWING PN 444010

SELOS RECOMENDADOS RECOMMENDED WIRE SEALS					
PART NUMBER	DESCRIÇÃO DESCRIPTION	WIRE RANGE	INSULATION RANGE	MATERIAL	ACABAMENTO FINISH
172748-1	SINGLE WIRE SEAL	CAVITY PLUG	CAVITY PLUG	SILICONE / SILICON	PRETO/BLACK
172748-2	SINGLE WIRE SEAL	CAVITY PLUG	CAVITY PLUG	SILICONE / SILICON	CINZA/GRAY
444430-1	SINGLE WIRE SEAL	0,5 TO 1,5mm <sup>2</sup>	∅ 1,4 TO 2,4mm	SILICONE / SILICON	MARROM/BROWN

TERMINAIS RECOMENDADOS RECOMMENDED TERMINALS						
PART NUMBER	DESCRIÇÃO DESCRIPTION	WIRE RANGE	INSULATION RANGE	MATERIAL	ACABAMENTO FINISH	
880694-1	TERMINAL 1.8 ECONOSEAL "J" SERIES MARKII REC	0,5 TO 1,0mm <sup>2</sup>	∅ 1,4 TO 2,0mm	LATÃO/BRASS	PRÉ ESTANHADO/PRE TIN	
880694-2	TERMINAL 1.8 ECONOSEAL "J" SERIES MARKII REC	0,5 TO 1,0mm <sup>2</sup>	∅ 1,4 TO 2,0mm	BRONZE	PRÉ ESTANHADO/PRE TIN	
880697-1	TERMINAL 1.8 ECONOSEAL "J" SERIES MARKII REC	0,5 TO 1,0mm <sup>2</sup>	∅ 1,4 TO 2,4mm	LATÃO/BRASS	PRÉ ESTANHADO/PRE TIN	
880697-2	TERMINAL 1.8 ECONOSEAL "J" SERIES MARKII REC	0,5 TO 1,0mm <sup>2</sup>	∅ 1,4 TO 2,4mm	BRONZE	PRÉ ESTANHADO/PRE TIN	
880697-3	TERMINAL 1.8 ECONOSEAL "J" SERIES MARKII REC	0,5 TO 1,0mm <sup>2</sup>	∅ 1,4 TO 2,4mm	LATÃO/BRASS	PRÉ PRATEADO/PRE SILVER	
880698-1	TERMINAL 1.8 ECONOSEAL "J" SERIES MARKII REC	1,0 TO 1,5mm <sup>2</sup>	∅ 1,4 TO 2,4mm	LATÃO/BRASS	PRÉ ESTANHADO/PRE TIN	
880698-2	TERMINAL 1.8 ECONOSEAL "J" SERIES MARKII REC	1,0 TO 1,5mm <sup>2</sup>	∅ 1,4 TO 2,4mm	BRONZE	PRÉ ESTANHADO/PRE TIN	

REQ. PER ASSY	ITEM NO	DESCRIÇÃO DESCRIPTION	MATERIAL	ACABAMENTO FINISH
1	3	SEAL RING	SILICON	PRETO/ /BLACK
1	2	DOUBLE LOCK 12 POSN. ECONOSEAL J-MARK II	PBT	AMARELO/YELLOW
1	1	PLUG HSG. 12 POSN. ECONOSEAL J-MARK II	PBT	PRETO/BLACK
444011	-1			

THIS DRAWING IS A CONTROLLED DOCUMENT. DWN: NCLapresa 09MAY2011  
 CHK: José R. Goldschmidt 11MAY2011  
 APVD: Mauricio Gisoldi 11MAY2011

**STE** TE Connectivity

NAME: -  
 PRODUCT SPEC: -  
 APPLICATION SPEC: -  
 WEIGHT: -

SIZE: A2 CAGE CODE: 00779 DRAWING NO: 444011 RESTRICTED TO: -  
 SCALE: 2:1 SHEET: 1 OF 1 REV: B1

CUSTOMER DRAWING

DO NOT REVISE EXCEPT BY CAD

## X-ON Electronics

Largest Supplier of Electrical and Electronic Components

*Click to view similar products for [Automotive Connectors](#) category:*

*Click to view products by [TE Connectivity](#) manufacturer:*

Other Similar products are found below :

[003-018-000](#) [600858](#) [60403001](#) [60993906-B](#) [60993913-B](#) [629515004020001](#) [M902-2131](#) [M902-2161](#) [M902-2344](#) [72.330.1035.1](#)  
[73.353.4028.0](#) [F118010](#) [F119300-B](#) [F132210](#) [F132210-B](#) [F166900](#) [F180100](#) [F258300](#) [F258300-B](#) [F294300-B](#) [F339100](#) [F339700](#) [F358300-](#)  
[B](#) [F374110](#) [F407400](#) [F412210](#) [F427600](#) [F444110](#) [F487000](#) [F495100-B](#) [F500900-B](#) [F509500B-B](#) [770444-1](#) [776880-1](#) [827153-1](#) [881735-1](#)  
[8N1515-32-24P](#) [9-1326729-8](#) [925467-1](#) [925474-1](#) [928905-1](#) [936398-2](#) [964562-1](#) [964562-4](#) [964731-2](#) [965051-1](#) [968782-1](#) [GT17SA-8DS-](#)  
[HU](#) [GT17VS-10DP-5.2CF](#) [98315-0001](#)