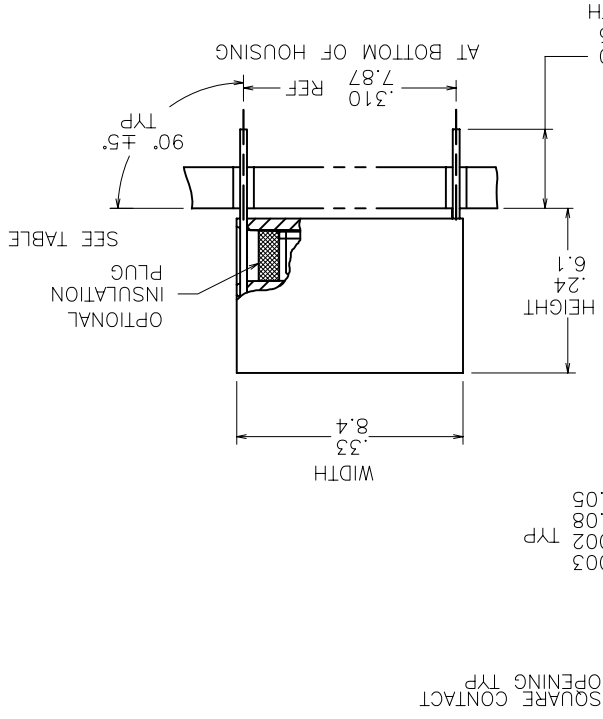
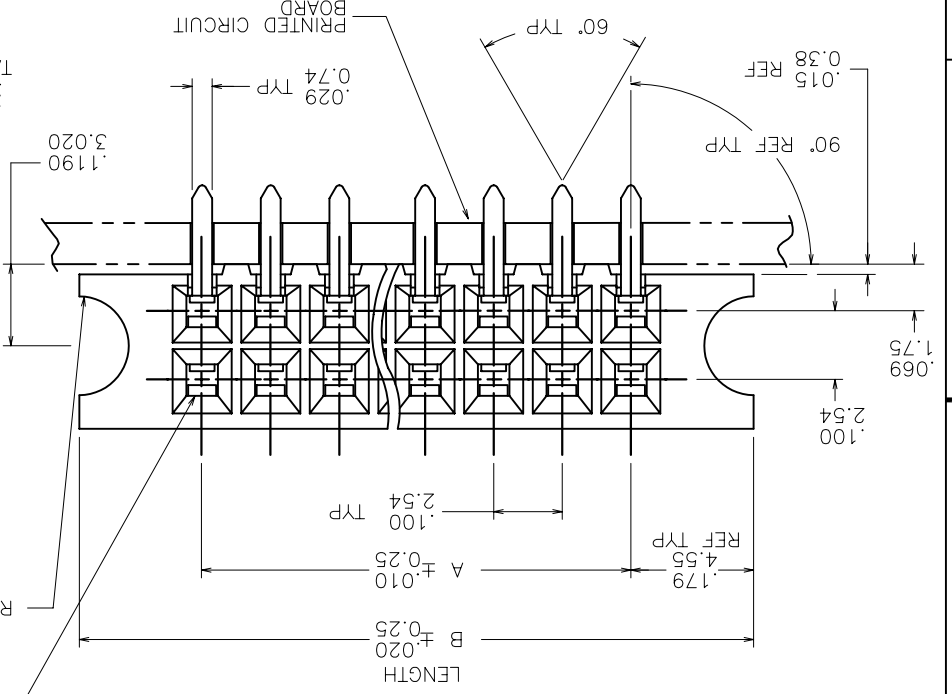
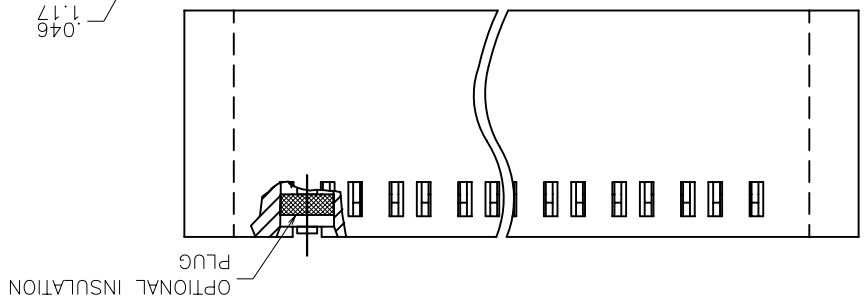


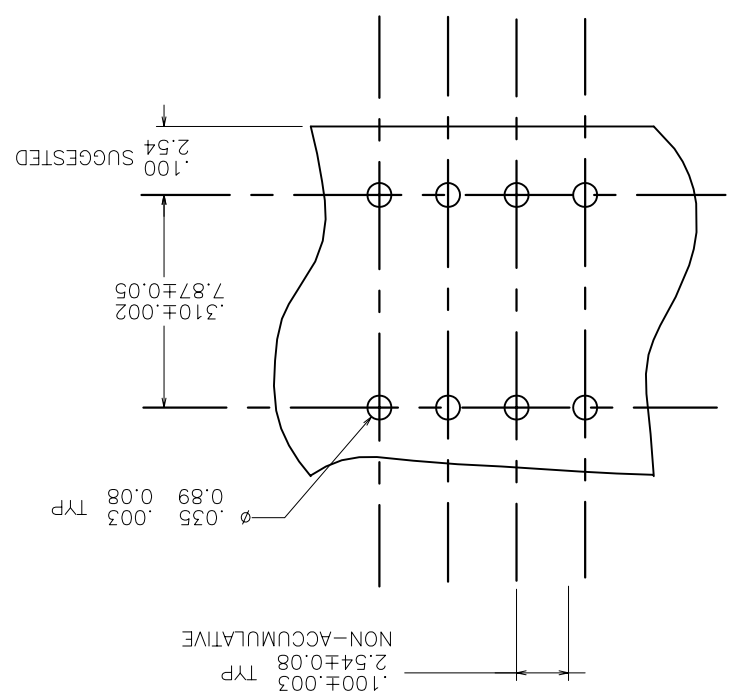
PRODUCT NO.
SEE TABLE



product family CARD CONN.		projection 		surface ISO 1302		tolerance ISO 406 ISO 1101		material code	
title CARD GUIDE PIN		INCH/MM		linear XXX ±.006/XXX±0.13		angles XX ±0.1/XX±0.3		date 9/17/90	
scale 4:1		R V02523 AZ 10/24/00		P V70994 JM 10/19/97		R V02523 AZ 10/24/00		date 9/17/90	
dwg no 66527		S V21783 CGD 11/18/02		R V02523 AZ 10/24/00		R V02523 AZ 10/24/00		date 9/17/90	
sheet 1 of 6 size A3		T M05-0113 MHT 6/14/05		R V02523 AZ 10/24/00		R V02523 AZ 10/24/00		date 9/17/90	
Product Customer Drawing		U M07-0137 MHT 2/26/07		R V02523 AZ 10/24/00		R V02523 AZ 10/24/00		date 9/17/90	
type Product Customer Drawing		V M08-0232 MHT 8/14/08		R V02523 AZ 10/24/00		R V02523 AZ 10/24/00		date 9/17/90	
revision V		V		R		R		date	
sheet 1		2		3		4		5	
index		3		4		5		6	

6
5
4
3
2
1
0

PRODUCT NO.
SEE TABLE



NOTES:

1. HOUSING MATERIAL:
FILLED HIGH TEMPERATURE NYLON
PER UL 94V-0
COLOR: BLACK
2. TERMINAL MATERIAL:
BODY: BRASS; .010/0.25 THICK
SPRING: BE-CU, HEAT TREATED
BODY PLATING DUPLEX:
30 MICRONCH/0.76 MICRON GOLD OR GXT
OVER 50 MICRONCH/1.27 MICRON NICKEL
IN CONTACT AREA
SOLDER TAIL: 100u"/2.54um PURE TIN MIN
OVER 050u"/1.27um NICKEL
SPRING PLATING: GOLD FLASH

FIGURE 1

3. MARK "FCI", FCI PART NUMBER AND DATE CODE.
LEGIBLE ON TUBE LABEL.
4. APPLICATION INFORMATION:
A. RECOMMENDED MOUNTING HOLE PATTERN IS SHOWN IN FIGURE "1"
B. ALL MATING PINS TO BE .025/.64 SQUARE ON TRUE CENTER OF GIVEN TERMINAL
C. SPACINGS WITHIN .015/0.38 DIA.
C. SUGGESTED MATING PIN LENGTH .350±.020/8.89±0.51
5. MARK IN .060/1.52 HIGH LETTERS:(CONTRASTING COLORS) - 9113 4445
FCI XXXX
DATE CODE
6. .003/0.08 THICK TERMINAL SPRING.
7. PACKAGING: STANDARD 24" LONG TUBES.
8. 550mm LONG SPECIAL SHORT TUBE PACKAGING:
ADD SUFFIX "A" TO PART DASH NUMBER. EXAMPLE: 66527-001A
9. ADD "LF" SUFFIX AT THE END OF PART NUMBER FOR LEAD FREE OPTION.
10. THIS PRODUCT MEETS EUROPEAN UNION DIRECTIVES AND OTHER COUNTRY REGULATION AS DESCRIBED IN GS-22-008.
11. THE HOUSING WILL WITHSTAND EXPOSURE TO 260°C PEAK TEMPERATURE FOR 15 SECONDS IN A WAVE SOLDER APPLICATION WITH A 1.5mm MINIMUM THICK CIRCUIT BOARD. SEE APPLICATION NOTES/PROCEDURES IF THEY ARE AVAILABLE.
12. PLATING OPTIONS:
MAY BE EITHER GOLD OR GXT PLATED AT MANUFACTURER'S OPTION.

part code	surface	ISO 1302	ISO 406	ISO 1101	tolerance unless otherwise specified	XX ±.01/XX±0.3	linear	XXX ±.005/XXX±0.13	XXX ±.0020/XXX±0.061	scale	4:1	projection	product family	CARD CONN.
lit	ecn no	dr	date	tolerances unless otherwise specified	angles	linear	XXX ±.005/XXX±0.13	XXX ±.0020/XXX±0.061	scale	4:1	projection	product family	CARD CONN.	
dr	C.DAILY	11/18/02	dr	C.DAILY	11/18/02	dr	C.DAILY	11/18/02	dr	C.DAILY	11/18/02	dr	C.DAILY	11/18/02
eng	H.SUNDY	11/18/02	eng	H.SUNDY	11/18/02	eng	H.SUNDY	11/18/02	eng	H.SUNDY	11/18/02	eng	H.SUNDY	11/18/02
chr	H.SUNDY	11/18/02	chr	H.SUNDY	11/18/02	chr	H.SUNDY	11/18/02	chr	H.SUNDY	11/18/02	chr	H.SUNDY	11/18/02
appt	H.SUNDY	11/18/02	appt	H.SUNDY	11/18/02	appt	H.SUNDY	11/18/02	appt	H.SUNDY	11/18/02	appt	H.SUNDY	11/18/02
sheet	revision	sheet	revision	sheet	revision	sheet	revision	sheet	revision	sheet	revision	sheet	revision	sheet
index	revision	sheet	revision	sheet	revision	sheet	revision	sheet	revision	sheet	revision	sheet	revision	sheet

title
CARD CONNECTOR

dwg no
66527

sheet 2 of 6 size
A3

type
Product Customer Drawing

6 5 4 3 2 1 0

6 5 4 3 2 1 0

PRODUCT NO. NOTE 9	NO. OF POS.	A DIM	B DIM	INSUL. PLUG	SPECIAL
66527-001					
UNAVAILABLE					
2X2	100/2.54				NO
002					
003	200/5.08				
004	300/7.62				
005	400/10.16				
006	500/12.70				
007	600/15.24				
008	700/17.78				
009	800/20.32				
010	900/22.86				
011	1,000/25.4				
012	1,100/27.94				
013	1,200/30.48				
014	1,300/33.02				
015	1,400/35.56				
016	1,500/38.10				
017	1,600/40.64				
018	1,700/43.18				
019	1,800/45.72				
020	1,900/48.26				
021	2,000/50.80				
022	2,100/53.34				
023	2,200/55.88				
024	2,300/58.42				
025	2,400/60.96				
026	2,500/63.50				
027	2,600/66.04				
028	2,700/68.58				
029	2,800/71.12				
030	2,900/73.66				
031	3,000/76.20				
032	3,100/78.74				
033	3,200/81.28				
034	3,300/83.82				
035	3,400/86.36				
036	3,500/88.90				
037	3,600/91.44				
038	3,700/93.98				
039	3,800/96.52				
2X40	3,900/99.06				
66527-040					

mat'l code	surface	ISO 1302	projection	ISO 406	ISO 1001
ltf	ecn no	dr	date	tolerances unless otherwise specified	XX ±0.1/XX0.3
angles	linear	XXX ±0.05/XXX0.13	INCH/MM	scale	4:1
dr	C.DAILY	11/18/02	dwg no	66527	
engr	H.SUNDRY	11/18/02	type	Product Customer Drawing	
chr	H.SUNDRY	11/18/02	sheet	3 of 6 size	
appt	H.SUNDRY	11/18/02	revision	Sheet	
revision	revision	revision	revision	revision	
sheet	sheet	sheet	sheet	sheet	
index	index	index	index	index	

product family	CARD CONN.
title	GUIDE PIN CARD CONNECTOR
projection	
tolerances unless otherwise specified	XX ±0.1/XX0.3
linear	XXX ±0.05/XXX0.13
scale	4:1
dwg no	66527
type	Product Customer Drawing
sheet	3 of 6 size
revision	Sheet
revision	revision
sheet	sheet
index	index
index	index

6 5 4 3 2 1 0

6 5 4 3 2 1 0

PRODUCT NO.	NO. OF POS.	A DIM	B DIM	INSUL. PLUG	SPECIAL
66527-041	2X41	4.000/101.60	4.358/110.69		
	2X42	4.100/104.14	4.458/113.23		
	2X43	4.200/106.68	4.558/115.77		
	2X44	4.300/109.22	4.658/118.31		
	2X45	4.400/111.76	4.758/120.85		
	2X46	4.500/114.30	4.858/123.39		
	2X47	4.600/116.84	4.958/125.93		
	2X48	4.700/119.38	5.058/128.47		
	2X49	4.800/121.92	5.158/131.01		
	2X50	4.900/124.46	5.258/133.55		
	2X51	5.000/127.00	5.358/136.09		
	2X52	5.100/129.54	5.458/138.63		
	2X53	5.200/132.08	5.558/141.17		
	2X54	5.300/134.62	5.658/143.71		
	2X55	5.400/137.16	5.758/146.25		
	2X56	5.500/139.70	5.858/148.79		
	2X57	5.600/142.24	5.958/151.33		
	2X58	5.700/144.78	6.058/153.87		
	2X59	5.800/147.32	6.158/156.41		
	2X60	5.900/149.86	6.258/158.95		
	2X61	6.000/152.40	6.358/161.49		
	2X62	6.100/154.94	6.458/164.03		
	2X63	6.200/157.48	6.558/166.57		
	2X64	6.300/160.02	6.658/169.11		
66527-065	2X65	6.400/162.56	6.758/171.65		
				NO	
					NO

OBSELETE

mat'l code		surface		ISO 1302		tolerance		ISO 406		ISO 101		projection		product family					
-		-		-		-		-		-		-		CARD CONN.					
lfr	ecn no	dr	date	tolerances unless otherwise specified	linear	angles	o ±.2	dr	C.DAILY	11/18/02	engr	H.SUNDRY	11/18/02	chr	H.SUNDRY	11/18/02	appt	H.SUNDRY	11/18/02
v				XX ±.01/XX.03	XXX ±.005/XXX.03	INCH/MM	4:1	scale	4:1	dwg no	66527	sheet 4 of 6	size	A3	type	Product Customer Drawing	revision	sheet	index
CARD CONN.		CARD CONNECTOR		GAGE		FCJ		FCJ		FCJ		FCJ		FCJ		FCJ		FCJ	

6 0 5 4 3 2 1 0

PRODUCT NO. NOTE 9	NO. OF POS.	A DIM	B DIM	INSUL. PLUG	SPECIAL
66527-501					
UNAVAILABLE					
502	2X2	.100/2.54	.458/11.63	YES	OBS
503	2X3	.200/5.08	.558/14.17		OBS
504	2X4	.300/7.62	.658/16.71		OBS
505	2X5	.400/10.16	.758/19.25		
506	2X6	.500/12.70	.858/21.79		
507	2X7	.600/15.24	.958/24.33		
508	2X8	.700/17.78	1.058/26.87		
509	2X9	.800/20.32	1.158/29.41		
510	2X10	.900/22.86	1.258/31.95		
511	2X11	1.000/25.4	1.358/34.49		
512	2X12	1.100/27.94	1.458/37.03		
513	2X13	1.200/30.48	1.558/39.57		
514	2X14	1.300/33.02	1.658/42.11		
515	2X15	1.400/35.56	1.758/44.65		
516	2X16	1.500/38.10	1.858/47.19		
517	2X17	1.600/40.64	1.958/49.73		
518	2X18	1.700/43.18	2.058/52.27		
519	2X19	1.800/45.72	2.158/54.81		
520	2X20	1.900/48.26	2.258/57.35		
521	2X21	2.000/50.80	2.358/59.89		
522	2X22	2.100/53.34	2.458/62.43		
523	2X23	2.200/55.88	2.558/64.97		
524	2X24	2.300/58.42	2.658/67.51		
525	2X25	2.400/60.96	2.758/70.05		
526	2X26	2.500/63.50	2.858/72.59		
527	2X27	2.600/66.04	2.958/75.13		
528	2X28	2.700/68.58	3.058/77.67		
529	2X29	2.800/71.12	3.158/80.21		
530	2X30	2.900/73.66	3.258/82.75		
531	2X31	3.000/76.20	3.358/85.29		
532	2X32	3.100/78.74	3.458/87.83		
533	2X33	3.200/81.28	3.558/90.37		
534	2X34	3.300/83.82	3.658/92.91		
535	2X35	3.400/86.36	3.758/95.45		
536	2X36	3.500/88.90	3.858/97.99		
537	2X37	3.600/91.44	3.958/100.53		
538	2X38	3.700/93.98	4.058/103.07		
539	2X39	3.800/96.52	4.158/105.61		
66527-540	2X40	3.900/99.06	4.258/108.15	YES	

mat'l code	ISO 1302	surface	tolerance	ISO 406	ISO 1001	projection	product family	CARD CONN.
lit	ecn no	dr	date	tolerances unless otherwise specified	XX ±.01/XX.03	INCH/MM	title	CARD CONNECTOR
angles	0 ±.2°	linear	XXX ±.005/XXX.03	scale	4:1	dwg no	sheet 5 of 6 size	A3
dr	C.DAILY	11/18/02	engr	H.SUNDY	11/18/02	chk	H.SUNDY	11/18/02
appt	H.SUNDY	11/18/02	revision	sheet	index	revision	sheet	index
Product Customer Drawing	type	Product Customer Drawing	type	Product Customer Drawing	type	Product Customer Drawing	type	Product Customer Drawing

PRODUCT NO.	NO. OF POS.	A DIM	B DIM	INSUL. PLUG	SPECIAL
66527-541	2X41	4.000/101.60	4.358/110.69	YES	
66527-542	2X42	4.100/104.14	4.458/113.23		
543	2X43	4.200/106.68	4.558/115.77		
544	2X44	4.300/109.22	4.658/118.31		
545	2X45	4.400/111.76	4.758/120.85		
546	2X46	4.500/114.30	4.858/123.39		
547	2X47	4.600/116.84	4.958/125.93		
548	2X48	4.700/119.38	5.058/128.47		
549	2X49	4.800/121.92	5.158/131.01		
550	2X50	4.900/124.46	5.258/133.55		
551	2X51	5.000/127.00	5.358/136.09		
552	2X52	5.100/129.54	5.458/138.63		
553	2X53	5.200/132.08	5.558/141.17		
554	2X54	5.300/134.62	5.658/143.71		
555	2X55	5.400/137.16	5.758/146.25		
556	2X56	5.500/139.70	5.858/148.79		
557	2X57	5.600/142.24	5.958/151.33		
558	2X58	5.700/144.78	6.058/153.87		
559	2X59	5.800/147.32	6.158/156.41		
560	2X60	5.900/149.86	6.258/158.95		
561	2X61	6.000/152.40	6.358/161.49		
562	2X62	6.100/154.94	6.458/164.03		
563	2X63	6.200/157.48	6.558/166.57		
564	2X64	6.300/160.02	6.658/169.11		
66527-565	2X65	6.400/162.56	6.758/171.65	YES	
566 THRU					
600					
66527-800	2X50	4.900/124.46	5.258/133.55	NO	SEE NOTE 9
801	2X30	2.900/73.66	3.258/82.75	NO	SEE NOTE 6
802	2X40	3.900/99.066	4.258/108.15	NO	SEE NOTE 6
66527-803	2X25	2.400/60.96	2.758/70.05	YES	SEE NOTE 6

OBsolete

mat'l code		ISO 1302	surface	tolerance	ISO 406	ISO 1101	projection	product family	CARD CONN.
lit	ecn no	dr	date	tolerances unless otherwise specified	XX ±.01/XX.03	XXX ±.005/XXX.03	INCH/MM	title	CARD CONNECTOR
angles	linear	linear	linear	linear	XXX ±.005/XXX.03	XXX ±.005/XXX.03	scale	4:1	
dr	C.DAILY	11/18/02	11/18/02	11/18/02	11/18/02	11/18/02	11/18/02	11/18/02	11/18/02
engr	H.SUNDRY	11/18/02	11/18/02	11/18/02	11/18/02	11/18/02	11/18/02	11/18/02	11/18/02
chr	H.SUNDRY	11/18/02	11/18/02	11/18/02	11/18/02	11/18/02	11/18/02	11/18/02	11/18/02
appt	H.SUNDRY	11/18/02	11/18/02	11/18/02	11/18/02	11/18/02	11/18/02	11/18/02	11/18/02
sheet	revision	sheet	revision	sheet	revision	sheet	revision	sheet	revision
index	sheet	index	sheet	index	sheet	index	sheet	index	sheet

dwg no 66527
sheet 6 of 6 size A3

type Product Customer Drawing



product family CARD CONN.

6 0 5 4 3 2 1 0

6 0 5 4 3 2 1 0

X-ON Electronics

Largest Supplier of Electrical and Electronic Components

Click to view similar products for [Headers & Wire Housings](#) category:

Click to view products by [Amphenol](#) manufacturer:

Other Similar products are found below :

[95000-104TRLF](#) [10135584-644402LF](#) [DF62W-EP2022PCA](#) [95000-106TRLF](#) [DF62W-2022SCA](#) [DF62W-EP2022PC](#) [2203348](#) [DF62W-2022SC](#) [1084018](#) [1029039](#) [1084017](#) [802-10-012-10-002000](#) [1112640](#) [1112639](#) [000-34000](#) [0009482033](#) [0009507031](#) [57102-S06-03LF](#) [57202-S52-04LF](#) [PCN6-15S-2.5E](#) [0039019024](#) [58102-G61-06LF](#) [582553-1](#) [0009485154](#) [0009508121](#) [0022285053](#) [0050291907](#) [018731A](#) [LY20-4P-DT1-P1E-BR](#) [02.125.8002.8](#) [60101931](#) [60598-1 \(Cut Strip\)](#) [M1625-3R/100](#) [61062-3](#) [61082-181009](#) [636-1427](#) [638009-1](#) [641938-9](#) [641991-4](#) [644168-1](#) [647662-1](#) [65039-019ELF](#) [65817-002LF](#) [65817-015LF](#) [65863-015LF](#) [66207-023LF](#) [67016-026LF](#) [67046-001LF](#) [67095-007LF](#) [67230-005LF](#)