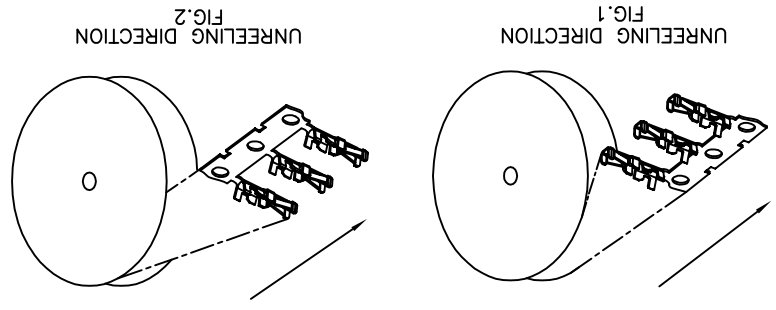
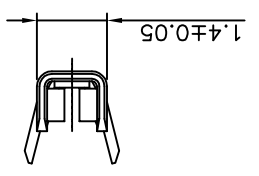
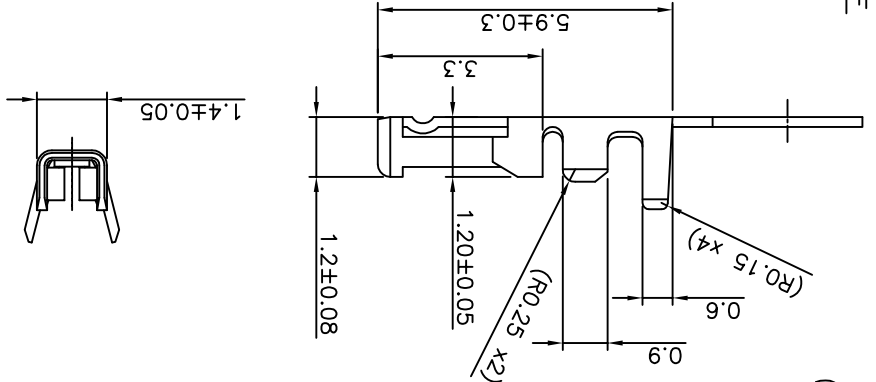
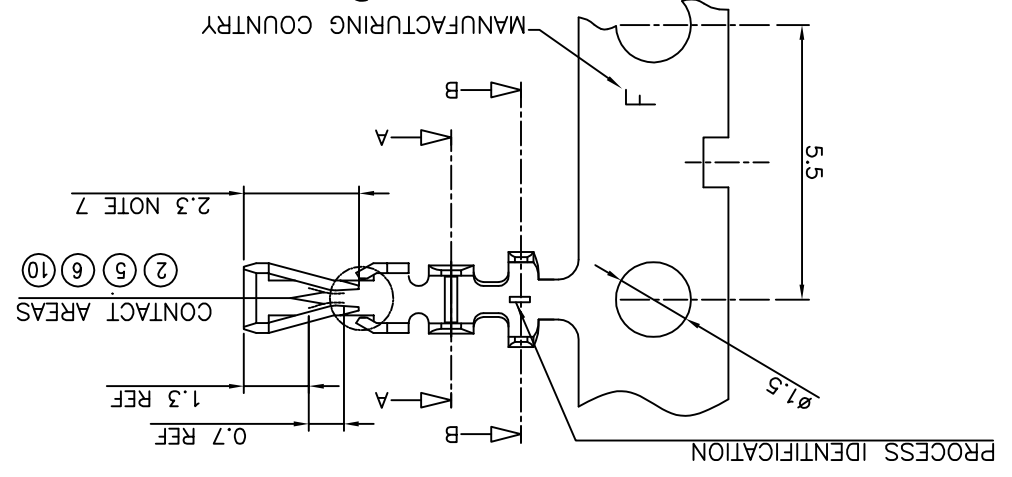


PRODUCT NO.	FINISH	REELING DIRECTION
77138-001LF	NOTE 2	FIG.1
77138-101LF	NOTE 6	FIG.1
77138-201LF	NOTE 5	FIG.1
77138-001REF	NOTE 2	FIG.2
77138-101REF	NOTE 6	FIG.2
77138-101LF	NOTE 10	FIG.1



- NOTES
- MATERIAL : PHOSPHOR BRONZE
 - FINISH : SELECTIVE GOLD PLATING 0.2µm MIN (CONTACT AREA) OVER 1.27µm N: MIN
 - WIRE RANGE : AWG 26-30
 - GENERAL TOLERANCE : ±0.25
 - FINISH : SELECTIVE GOLD PLATING 0.5µm MIN (CONTACT AREA) OVER 1.27µm N: MIN
 - FINISH : SELECTIVE GOLD PLATING 0.76µm MIN (CONTACT AREA) OVER 1.27µm N: MIN
 - REMAINDER : - GOLD FLASH FOR (2) (5) (6) - 2.0-5.0µm TIN FOR (10)
 - UNDERPLATING 1.27µm N: MIN ALL OVER
 - THIS PRODUCT MEETS EUROPEAN UNION DIRECTIVES AND OTHER COUNTRY REGULATIONS AS DESCRIBED IN GS-47-0004
 - CRIMP SPECIFICATION AS PER GS-20-058
 - FINISH : 2.0-5.0µm TIN ON CONTACT AREA
 - UNDERPLATING 1.27µm N: MIN ALL OVER
 - PRODUCT SPECIFICATION : GS-12-415

mat'l. code		SEE NOTES		ISO 1302	surface	tolerance unless otherwise specified	projection	product family	MINITEK
lfr	ecn no	dr	date	ISO 1302	surface	tolerance unless otherwise specified	projection	product family	MINITEK
S	F-22846	AMA	15.12.21	angles	linear	x ±0.25	mm	title	
L	F08-0174	JCO	08.05.20	linear	xxx ±0.15	mm	scale 5:1	title	
M	F12-0004	JCO	12.01.04	angles	linear	xxx ±0.15	mm	title	
N	F12-0088	JCO	12.07.23	linear	xxx ±0.15	mm	scale 5:1	title	
P	B-19188	LMU	14.10.24	linear	xxx ±0.15	mm	scale 5:1	title	
R	F-21704	AMA	15.08.18	linear	xxx ±0.15	mm	scale 5:1	title	
sheet	revision								
index	sheet								

6	5	4	3	2	1
---	---	---	---	---	---

X-ON Electronics

Largest Supplier of Electrical and Electronic Components

Click to view similar products for [Headers & Wire Housings](#) category:

Click to view products by [Amphenol](#) manufacturer:

Other Similar products are found below :

[95000-104TRLF](#) [10135584-644402LF](#) [DF62W-EP2022PCA](#) [95000-106TRLF](#) [DF62W-2022SCA](#) [DF62W-EP2022PC](#) [2203348](#) [DF62W-2022SC](#) [1084018](#) [1029039](#) [1084017](#) [802-10-012-10-002000](#) [1112640](#) [1112639](#) [000-34000](#) [0008550134](#) [0009482033](#) [0009507031](#) [57102-F02-18ULF](#) [57102-S06-03LF](#) [57202-S52-04LF](#) [PCN6-15S-2.5E](#) [0039019024](#) [58102-G61-06LF](#) [582553-1](#) [0009485154](#) [0009508121](#) [009176003701906](#) [0022285053](#) [0050291907](#) [018731A](#) [LY20-4P-DT1-P1E-BR](#) [02.125.8002.8](#) [60101931](#) [60598-1 \(Cut Strip\)](#) [M1625-3R/100](#) [61062-3](#) [61082-181009](#) [CSU011177004](#) [636-1427](#) [638009-1](#) [641938-9](#) [641991-4](#) [644168-1](#) [644827-2](#) [647662-1](#) [65039-019ELF](#) [65692-001LF](#) [65781-018](#) [65781-047](#)