

CMPZ4614
THRU
CMPZ4627

SURFACE MOUNT
LOW NOISE
SILICON ZENER DIODE
350mW, 5% TOLERANCE



www.centrasemi.com

DESCRIPTION:

The CENTRAL SEMICONDUCTOR CMPZ4614 Series types are high quality silicon zener diodes designed for low leakage, low current and low noise applications.

MARKING CODE: CONSULT FACTORY



SOT-23 CASE

MAXIMUM RATINGS:	(T _A =25°C unless otherwise noted)	SYMBOL	UNITS
Power Dissipation		P _D	350 mW
Operating and Storage Junction Temperature		T _J , T _{stg}	-65 to +150 °C

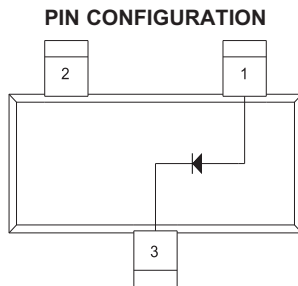
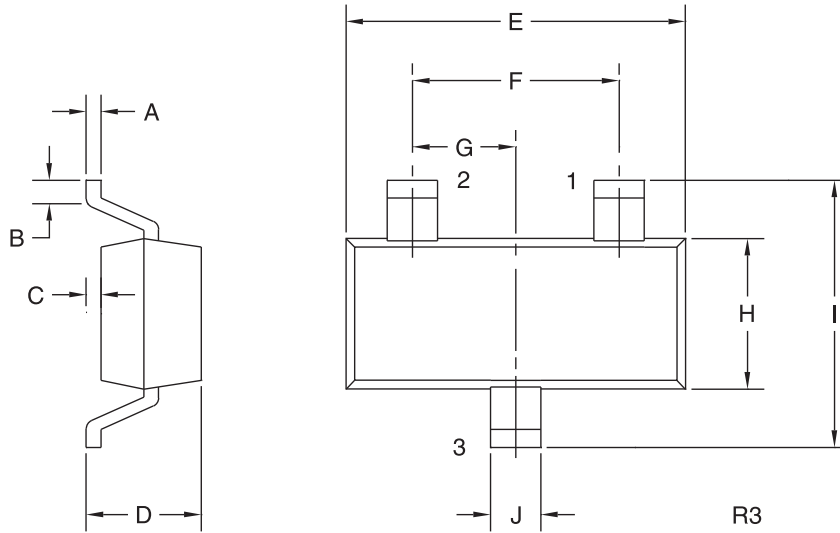
ELECTRICAL CHARACTERISTICS: (T_A=25°C unless otherwise noted) V_F=1.0V MAX @ I_F=200mA (for all types)

TYPE	NOMINAL ZENER VOLTAGE V _Z @ I _{ZT}	TEST CURRENT I _{ZT}	MAXIMUM ZENER IMPEDANCE Z _{ZT} @ I _{ZT}	MAXIMUM REVERSE LEAKAGE CURRENT		MAXIMUM ZENER CURRENT I _{ZM}	MAXIMUM NOISE DENSITY N _D @ I _{ZT}
	V	µA	Ω	I _R @ V _R	µA V	mA	µV/√Hz
CMPZ4614	1.8	250	1200	7.5	1.0	120	1.0
CMPZ4615	2.0	250	1250	5.0	1.0	110	1.0
CMPZ4616	2.2	250	1300	4.0	1.0	100	1.0
CMPZ4617	2.4	250	1400	2.0	1.0	95	1.0
CMPZ4618	2.7	250	1500	1.0	1.0	90	1.0
CMPZ4619	3.0	250	1600	0.8	1.0	85	1.0
CMPZ4620	3.3	250	1650	7.5	1.5	80	1.0
CMPZ4621	3.6	250	1700	7.5	2.0	75	1.0
CMPZ4622	3.9	250	1650	5.0	2.0	70	1.0
CMPZ4623	4.3	250	1600	4.0	2.0	65	1.0
CMPZ4624	4.7	250	1550	10	3.0	60	1.0
CMPZ4625	5.1	250	1500	10	3.0	55	2.0
CMPZ4626	5.6	250	1400	10	4.0	50	4.0
CMPZ4627	6.2	250	1200	10	5.0	45	5.0

CMPZ4614
 THRU
 CMPZ4627
 SURFACE MOUNT
 LOW NOISE
 SILICON ZENER DIODE
 350mW, 5% TOLERANCE



SOT-23 CASE - MECHANICAL OUTLINE



LEAD CODE:
 1) Anode
 2) No Connection
 3) Cathode

MARKING CODE:
 CONSULT FACTORY

SYMBOL	INCHES		MILLIMETERS	
	MIN	MAX	MIN	MAX
A	0.003	0.007	0.08	0.18
B	0.006	-	0.15	-
C	-	0.005	-	0.13
D	0.035	0.043	0.89	1.09
E	0.110	0.120	2.80	3.05
F	0.075		1.90	
G	0.037		0.95	
H	0.047	0.055	1.19	1.40
I	0.083	0.098	2.10	2.49
J	0.014	0.020	0.35	0.50

SOT-23 (REV: R3)

R7 (3-February 2010)



OUTSTANDING SUPPORT AND SUPERIOR SERVICES

PRODUCT SUPPORT

Central's operations team provides the highest level of support to insure product is delivered on-time.

- Supply management (Customer portals)
- Inventory bonding
- Consolidated shipping options
- Custom bar coding for shipments
- Custom product packing

DESIGNER SUPPORT/SERVICES

Central's applications engineering team is ready to discuss your design challenges. Just ask.

- Free quick ship samples (2nd day air)
- Online technical data and parametric search
- SPICE models
- Custom electrical curves
- Environmental regulation compliance
- Customer specific screening
- Up-screening capabilities
- Special wafer diffusions
- PbSn plating options
- Package details
- Application notes
- Application and design sample kits
- Custom product and package development

REQUESTING PRODUCT PLATING

1. If requesting Tin/Lead plated devices, add the suffix " TIN/LEAD" to the part number when ordering (example: 2N2222A TIN/LEAD).
2. If requesting Lead (Pb) Free plated devices, add the suffix " PBFREE" to the part number when ordering (example: 2N2222A PBFREE).

CONTACT US

Corporate Headquarters & Customer Support Team

Central Semiconductor Corp.
145 Adams Avenue
Hauppauge, NY 11788 USA
Main Tel: (631) 435-1110
Main Fax: (631) 435-1824
Support Team Fax: (631) 435-3388
www.centrasemi.com

Worldwide Field Representatives:
www.centrasemi.com/wwreps

Worldwide Distributors:
www.centrasemi.com/wwdistributors

For the latest version of Central Semiconductor's **LIMITATIONS AND DAMAGES DISCLAIMER**, which is part of Central's Standard Terms and Conditions of sale, visit: www.centrasemi.com/terms

X-ON Electronics

Largest Supplier of Electrical and Electronic Components

Click to view similar products for [Zener Diodes](#) category:

Click to view products by [Central Semiconductor](#) manufacturer:

Other Similar products are found below :

[MMSZ5245BS-7-F](#) [RKZ13B2KG#P1](#) [RKZ5.6B2KJ#R1](#) [EDZTE6113B](#) [EDZTE6116B](#) [EDZTE616.8B](#) [1N747A](#) [1N966B](#) [NTE5116A](#)
[NTE5121A](#) [NTE5139A](#) [NTE5147A](#) [NTE5152A](#) [NTE5156A](#) [NTE5164A](#) [JANS1N4974US](#) [SMAJ4764A-TP](#) [RKZ5.1BKU#P6](#)
[3SMAJ5946B-TP](#) [3SMAJ5950B-TP](#) [3SMBJ5920B-TP](#) [3SMBJ5925B-TP](#) [TDZTR24](#) [441774C](#) [MMSZ4678-TP](#) [BZG04-36](#) [BZG05C9V1-](#)
[HE3-TR](#) [HZM30NBTR-E](#) [UDZTE-175.1B](#) [3SMAJ5945B-TP](#) [3SMAJ5947B-TP](#) [3SMBJ5941B-TP](#) [DL4746A-TP](#) [RKZ18B2KK#R1](#)
[RKZ10B2KL#R1](#) [RKZ6.8B2KL#R1](#) [RKZ8.2B2KL#R1](#) [DZ2S240M0L](#) [SMAZ27-TP](#) [SMBZ5920B-E3/52](#) [ZMM3.0](#) [RD16UM-T1-A](#) [RD39S-](#)
[T1-A](#) [RD9.1S-T1-A](#) [RD10S-T1-A](#) [RD20S-T1-A](#) [RD2.2S-T1-A](#) [RD2.7UM-T1-A](#) [HZM24NB1TL-E](#) [HZM2.7NB2TL-E](#)