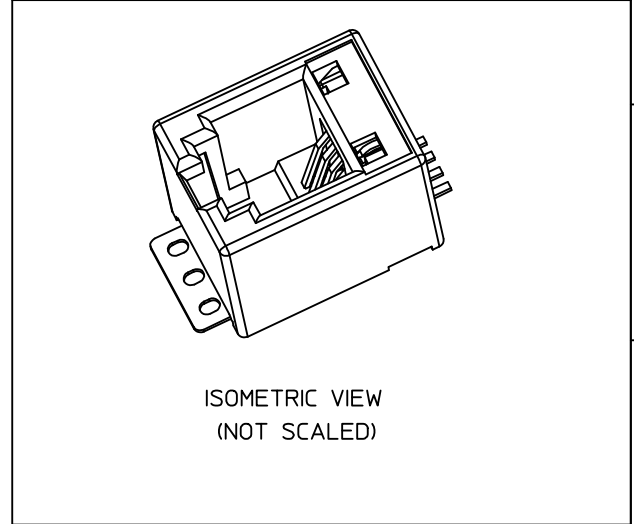
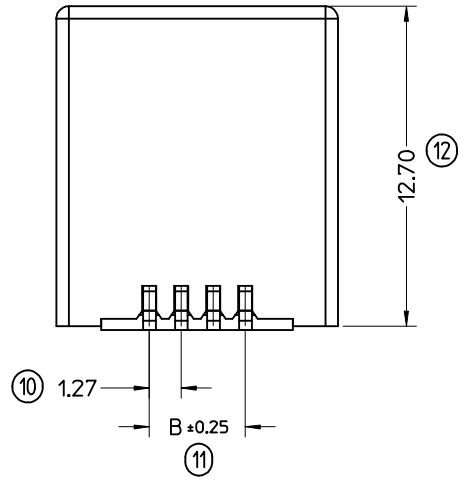
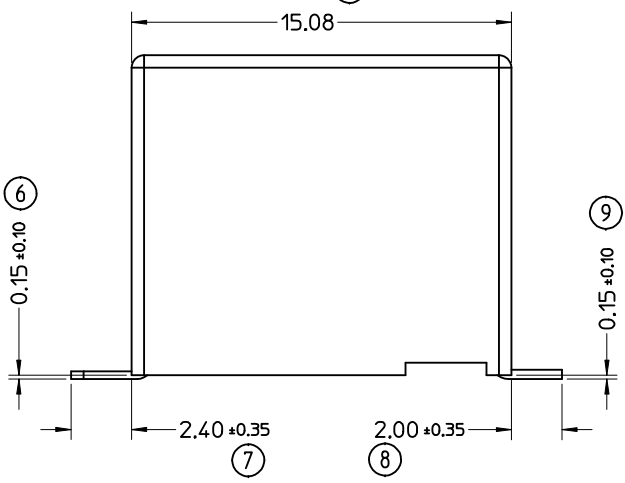


**NOTES:**

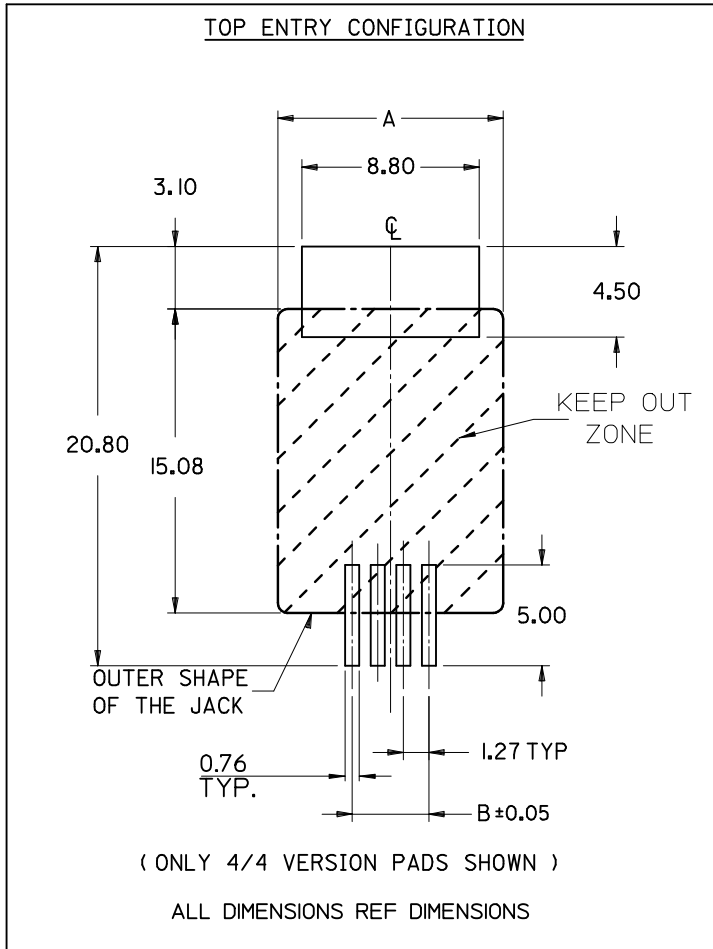
- 1- MATERIAL:  
 -HOUSING: LCP GLASS FILLED UL 94-V0, COLOUR BLACK.  
 -TERMINAL: COPPER ALLOY PLATED WITH:  
 BASE FINISH: NICKEL  
 CONTACT SURFACE FINISH:  
 GOLD,  
 OR  
 GOLD FLASH OVER PALLADIUM NICKEL.  
 EXCEEDS PRODUCT REQUIREMENTS BASED ON PS-85513-002
- 2- JACK FOR MATING WITH IEC 60603-7 AND TIA-1096-A PLUGS (MOLEX 90075 SERIES).
- 3- PRODUCT SPECIFICATION: PS-85513-002.
- 4- PACKAGING SPECIFICATION (SEE CHART SHEET2):  
 PK-85513-001 SHEET 3 (BLISTER ON REEL 13")  
 PK-85133-001 SHEET 1 (BLISTER ON REEL 15")  
 PK-85513-001 SHEET 2 (BLISTER ON REEL 22")
- 5- FLAT SURFACE ON BOTH SIDES FOR PICK AND PLACE PURPOSE
- (13) 6- COPLANARITY OF LEADS AND TABS: 0.10 MAX
- 7- SEE RECOMMENDED PCB LAYOUT ON SHEET 2
- 8- FOR DRAWING PURPOSE, ONLY 4/4 VERSION SHOWN.
- 9- MANUFACTURING ID CAN BE EITHER MXF, MG OR MXI.
- 10- APPLICATION SPEC AS-85513-001
- 11- OPTIONAL PICK&PLACE TAPE

LAST INSPECTION No: 14



REMOVED OPTION UPDATE DIM C EC NO: IPG2015-0192 DRWN: JKEARNS 2014/05/06 CHKD: APPR: STGRIFFIN 2014/08/29	QUALITY SYMBOLS	GENERAL TOLERANCES (UNLESS SPECIFIED)		DIMENSION STYLE MM ONLY		SCALE 5:1	DESIGN UNITS METRIC	THIRD ANGLE PROJECTION	
	▽=0 Ⓢ=0	mm	INCH	DRAWN BY DBYRNES	DATE 2006/08/17	TITLE LOW PROFILE TOP ENTRY TRUE SMT JACK WITH P&P SURFACE(SHORT VERSION)			
		4 PLACES ± --- ± ---	3 PLACES ± --- ± ---	CHECKED BY EOMAHONY	DATE 2006/08/17	MOLEX INCORPORATED DOCUMENT NO. SD-85513-010 SHEET NO. 1 OF 2			
		2 PLACES ± 0.15 ± ---	1 PLACE ± 0.25 ± ---	APPROVED BY EOMAHONY	DATE 2006/08/17				
	ANGULAR ± 2 °		MATERIAL NO.		SEE SHEET 2				
	DRAFT WHERE APPLICABLE MUST REMAIN WITHIN DIMENSIONS		SIZE A3	THIS DRAWING CONTAINS INFORMATION THAT IS PROPRIETARY TO MOLEX INCORPORATED AND SHOULD NOT BE USED WITHOUT WRITTEN PERMISSION					

RECOMMENDED PCB LAYOUTS  
(SEE FROM COMPONENT SIDE)



PART No.	PICK&PLACE TAPE	HOUSING SIZE	LOADED CKTS	TOOLED	A	B	C	PACKAGING	PACKAGING SPEC.
85513-5013	NO	8	8	YES	15.24	8.89	14.40	BLISTER ON REEL 13'	PK-85513-001 SHEET 3
85513-5113	YES			YES					
85513-5001	NO			YES					
85513-5009	NO			YES					
85513-5109	YES	6	6	YES	13.21	6.35	12.40	BLISTER ON REEL 13'	PK-85513-001 SHEET 3
85513-5014	NO			YES					
85513-5114	YES			YES					
85513-5002	NO			YES					
85513-5010	NO	6	4	YES	13.21	3.81	12.40	BLISTER ON REEL 15'	PK-85513-001 SHEET 1
85513-5110	YES			YES					
85513-5015	NO			YES					
85513-5115	YES			YES					
85513-5003	NO	4	4	YES	11.18	3.81	10.40	BLISTER ON REEL 22'	PK-85513-001 SHEET 2
85513-5011	NO			YES					
85513-5111	YES			YES					
85513-5016	NO			YES					
85513-5116	YES	4	4	YES	11.18	3.81	+4	BLISTER ON REEL 15'	PK-85513-001 SHEET 1
85513-5004	NO			YES					
85513-5012	NO			YES					
85513-5112	YES			YES					

SEE SHEET 1 EC NO: IPG2015-0192 DRWN: JKEARNS 2014/05/06 CHKD: APPR: STORIFFIN 2014/08/29	QUALITY SYMBOLS	GENERAL TOLERANCES (UNLESS SPECIFIED)	DIMENSION STYLE MM ONLY	SCALE 1:1	DESIGN UNITS METRIC	THIRD ANGLE PROJECTION	
	▼=0 ◻=0	mm    INCH 4 PLACES ± --- ± --- 3 PLACES ± --- ± --- 2 PLACES ± 0.15 ± --- 1 PLACE ± 0.25 ± --- ANGULAR ± 2 °	DRAWN BY: DBYRNES    DATE: 2006/08/17 CHECKED BY: EOMAHONY    DATE: 2006/08/17 APPROVED BY: EOMAHONY    DATE: 2006/08/17	TITLE	LOW PROFILE TOP ENTRY TRUE SMT JACK WITH P&P SURFACE(SHORT VERSION)		
	DRAFT WHERE APPLICABLE MUST REMAIN WITHIN DIMENSIONS	SEE CHART	MATERIAL NO.	MOLEX INCORPORATED DOCUMENT NO. SD-85513-010			
		SIZE A3	THIS DRAWING CONTAINS INFORMATION THAT IS PROPRIETARY TO MOLEX INCORPORATED AND SHOULD NOT BE USED WITHOUT WRITTEN PERMISSION				

## X-ON Electronics

Largest Supplier of Electrical and Electronic Components

*Click to view similar products for [Modular Connectors](#) / [Ethernet Connectors](#) category:*

*Click to view products by [Molex](#) manufacturer:*

Other Similar products are found below :

[RJE231881317T](#) [MP1010RX-1000](#) [MP44RX-1000](#) [GAX-3-66](#) [GAX-8-62](#) [93606-0253](#) [GD-A-44](#) [GDCX-PA-66-50](#) [GDCX-PN-64](#) [GDCX-PN-66](#) [GDCX-PN-66-50](#) [GDLX-A-66](#) [GDLX-A-88](#) [GDLX-N-66](#) [GDLX-S-88K](#) [GDTX-S-88-50](#) [GDX-PA-1010](#) [GLX-N-1010M-BLK](#) [GLX-N-44M](#) [GLX-S-88M-BLK](#) [GMX-N-1010](#) [GMX-S-1010](#) [GMX-S-66](#) [GMX-SMT2-N-1010](#) [GMX-SMT2-N-64-50](#) [GMX-SMT2-S6-88](#) [GMX-SMT4-N-88](#) [GPX-2-64](#) [GRT1-BT1-5](#) [GSGX-N-2-88](#) [GSX-NS2-88-3.05](#) [GSX-NS2-88-3.05-50](#) [GSX-NS-88-3.05-30](#) [GSX-NS-88-3.05-50](#) [GSX-NS-88-3.68](#) [1-1775629-2](#) [GWLX-S-88-GR](#) [GWLX-S9-88-YG](#) [1300500326](#) [1300500227](#) [1300530003](#) [1300570002](#) [1324640-4](#) [RJ11FTVC2G](#) [RJ11FTVC2N](#) [RJFTVX2SA1G](#) [132764-001](#) [1400000](#) [1413235](#) [MP88X-1000](#)