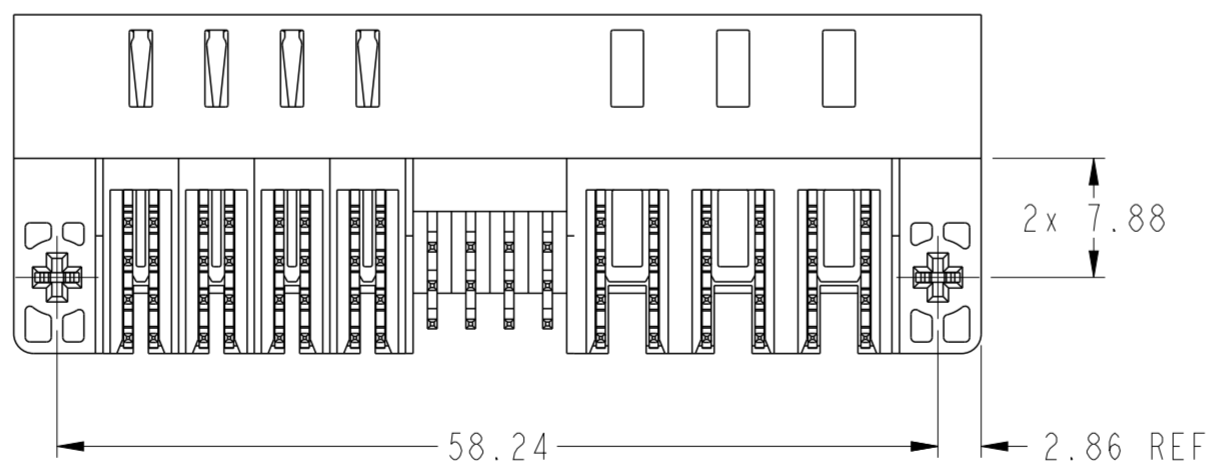
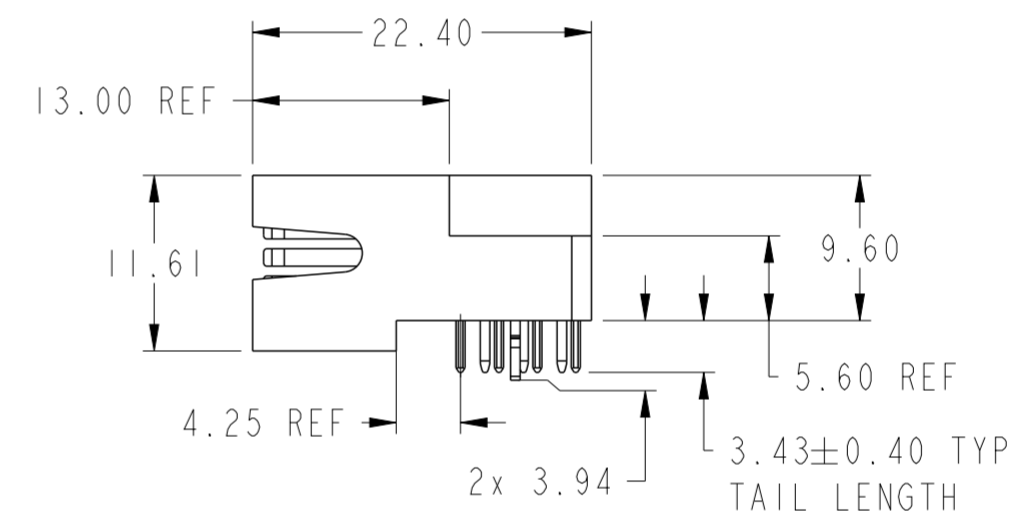
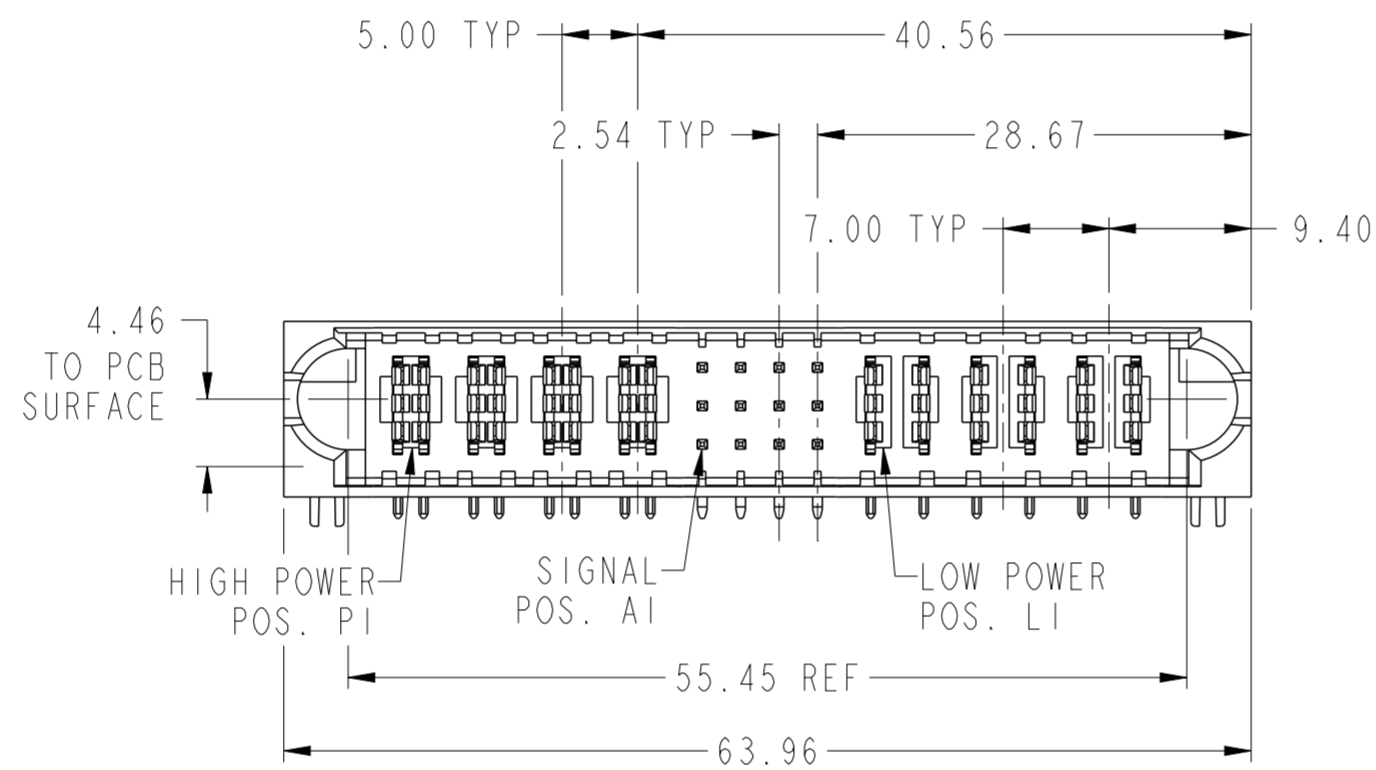
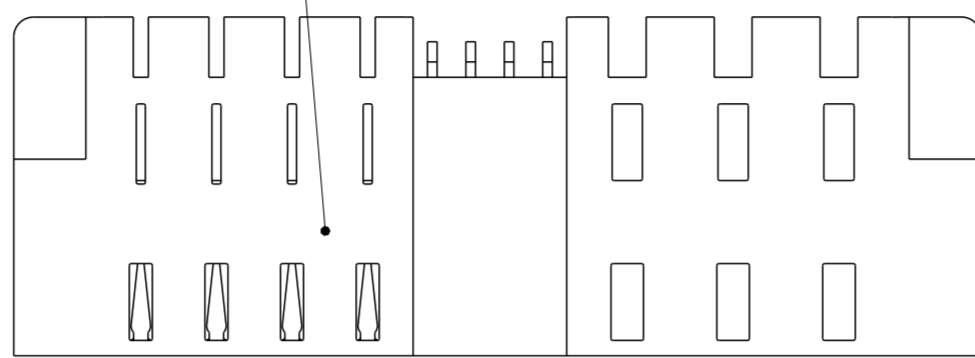


PRODUCT NUMBER
10127397-01HI420LF

SEE NOTE 1



Copyright FCI.

spec ref	-	dr	T Brungard	2014/05/06	projection	mm	size	A2	scale	2:1
tolerance std	ASME Y14.5	eng	De-Ming Lu	2015/12/29			ecn no	-	rel level	Released
TOLERANCES UNLESS OTHERWISE SPECIFIED		chr	Fancy Zhang	2015/12/29						
surface		appr	Pei-Ming Zheng	2015/12/29						
linear	0.X ±0.5 0.XX ±0.25 0.XXX ±0.130			4HP+12S+6LP, SOLDER-TO-BOARD R/A PLUG, PwrBlade ULTRA	10127397-01HI420	rev A				
angular	0° ±2°	www.fci.com	cat. no.	-	Product - Customer Drw	sheet 1 of 3				

PRODUCT NO.

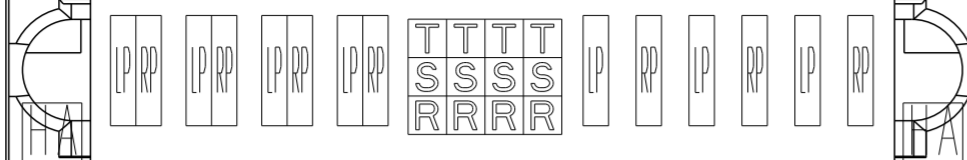
ROWS

HIGH POWER SIGNAL LOW POWER

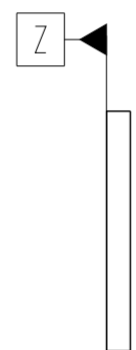
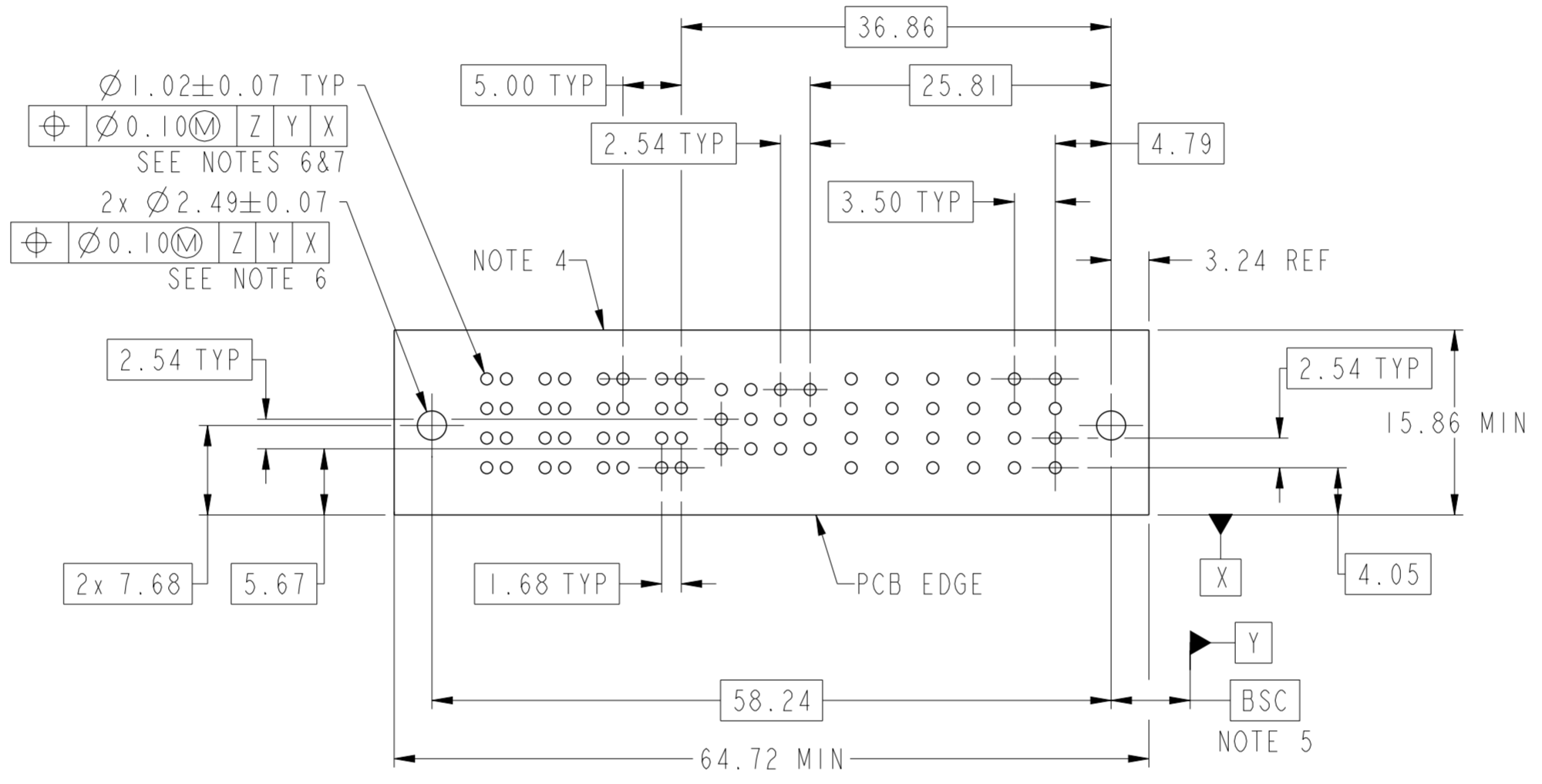
E1 P1 P2 P3 P4 1 2 3 4 L1 L2 L3 L4 L5 L6 E2

10127397-01HI420LF

C
B
A



CODE	DESCRIPTION
RP	RIGHT POWER CONTACT
LP	LEFT POWER CONTACT
R	SIGNAL CONTACT
S	SIGNAL CONTACT
T	SIGNAL CONTACT
HA	HOLD DOWN



Copyright FCI.

spec ref	-	dr	T Brungard	2014/05/06	projection	mm	size	A2	scale	2:1	
tolerance std	ASME Y14.5	eng	De-Ming Lu	2015/12/29			ecn no	-	rel level	Released	
TOLERANCES UNLESS OTHERWISE SPECIFIED		chr	Fancy Zhang	2015/12/29							
TOLERANCES UNLESS OTHERWISE SPECIFIED		appr	Pei-Ming Zheng	2015/12/29							
surface	ASME Y14.5	linear	0.X	±0.5	0.XX	±0.25	0.XXX	±0.130	angular	0°	±2°
www.fci.com				title 4HP+12S+6LP, SOLDER-TO-BOARD R/A PLUG, PwrBlade ULTRA		cat. no. 10127397-01HI420		rev A		Product - Customer Drw sheet 2 of 3	

PDS: Rev :A

STATUS:Released

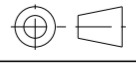
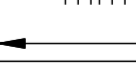

Printed: Dec 30, 2015

PRODUCT NUMBER

10127397-01HI420LF

NOTES:

1. "FCI", PART NUMBER AND DATE CODE TO BE MARKED ON THIS SURFACE.
THE P/N CAN BE OMITTED IF THERE IS NOT ENOUGH SPACE ON THIS SURFACE.
2. MATERIALS:
HOUSING: GLASS FILLED WITH HIGH TEMP POLYAMIDE, UL94V-0.
POWER CONTACTS: COPPER ALLOY.
SIGNAL CONTACTS: COPPER ALLOY.
HOLD DOWN: COPPER ALLOY.
3. PLATING SPECIFICATION: FCI 10135186.
4. DENOTES CONNECTOR KEEP OUT ZONE.
5. DATUM AND BASIC DIMENSION ARE ESTABLISHED BY CUSTOMER.
6. ALL HOLE DIAMETERS ARE FINISHED HOLE SIZES.
7. 1.150±0.025mm DRILLED HOLE PLATED WITH 7.62µm MIN Sn OVER
25.4µm-76.2µm Cu PLATING TO ACHIEVE A 1.02±0.07mm FINISHED HOLE.
8. PRODUCT SPECIFICATION: FCI GS-12-1176.
APPLICATION SPECIFICATION: FCI GS-20-0389.
PRODUCT PACKAGE SPECIFICATION: FCI GS-14-2354.

spec ref	-	dr	T Brungard	2014/05/06	projection	mm	size	A2	scale	2:1							
tolerance std	-	eng	De-Ming Lu	2015/12/29			ecn no	-	rel level	Released							
ASME Y14.5	TOLERANCES UNLESS OTHERWISE SPECIFIED	chr	Fancy Zhang	2015/12/29													
		appr	Pei-Ming Zheng	2015/12/29													
surface	<table border="1"> <tr> <td>linear</td> <td>0.X</td> <td>±0.5</td> </tr> <tr> <td></td> <td>0.XX</td> <td>±0.25</td> </tr> <tr> <td></td> <td>0.XXX</td> <td>±0.130</td> </tr> <tr> <td>angular</td> <td>0°</td> <td>±2°</td> </tr> </table>	linear	0.X	±0.5		0.XX	±0.25		0.XXX	±0.130	angular	0°	±2°		title 4HP+12S+6LP, SOLDER-TO-BOARD R/A PLUG, PwrBlade ULTRA	dwg no 10127397-01HI420	rev A
linear	0.X	±0.5															
	0.XX	±0.25															
	0.XXX	±0.130															
angular	0°	±2°															
ASME Y14.5		www.fci.com	cat. no.	-	Product - Customer Drw	sheet 3 of 3											

Copyright FCI. FCI

X-ON Electronics

Largest Supplier of Electrical and Electronic Components

Click to view similar products for [Power to the Board](#) category:

Click to view products by [Amphenol](#) manufacturer:

Other Similar products are found below :

[10131318-08512GRLF](#) [6450171-4](#) [6450552-7](#) [6600323-8](#) [6643429-1](#) [6646040-2](#) [6651939-1](#) [6766604-1](#) [120959-1](#) [1393557-2](#) [1393532-2](#)
[1393532-3](#) [1393532-4](#) [1393557-1](#) [1600812-5](#) [1-6450861-2](#) [1645595-1](#) [1743490-1](#) [1744132-7](#) [1761122-1](#) [1766169-1](#) [1766250-1](#) [18362](#)
[1892109-1](#) [1-967627-6](#) [2226808-1](#) [2-6450860-5](#) [2-6450860-6](#) [2-6450870-0](#) [93003-0502](#) [953552-1](#) [1-6450161-4](#) [1-6450850-6](#) [1645526-2](#) [1-](#)
[6600130-0](#) [1743419-1](#) [1766150-1](#) [2005243-2](#) [211110-1](#) [2-6600130-2](#) [TE34-12-16P-F0](#) [5-6450830-6](#) [5646956-4](#) [36662-0005](#) [40585-3000](#) [4-](#)
[6450830-9](#) [4-6600333-3](#) [51142-0214](#) [10134048-911LF](#) [10130248-005LF](#)