

THIS IS ISSUED IN STRICT CONFIDENCE THAT IT IS NOT USED AS A BASIS FOR MANUFACTURE OR SALE AND THAT IT IS NOT COPIED, REPRINTED OR DISCLOSED TO A THIRD PARTY EITHER WHOLLY OR IN PART WITHOUT THE PRIOR WRITTEN CONSENT OF CAL TEST ELECTRONICS, INC.

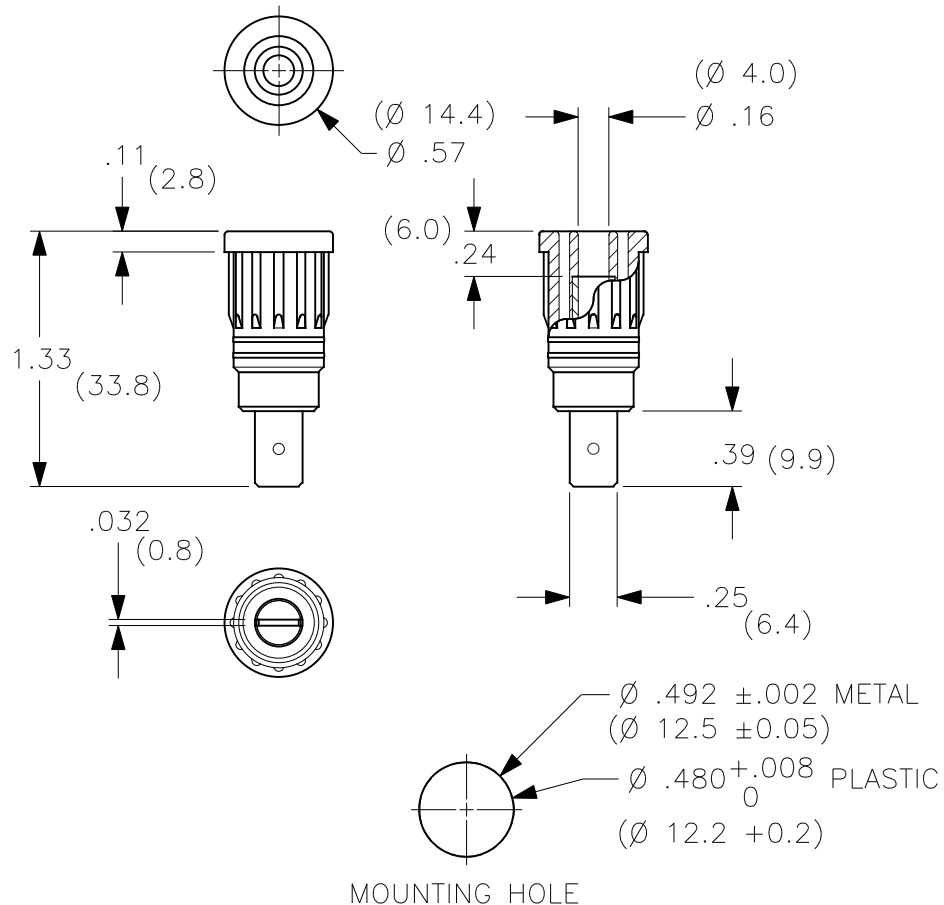
- PUSH-IN SAFETY SOCKET w/.25" FASTON TERMINAL.
- SPECIFICATIONS:
INSULATOR: POLYAMIDE (NYLON)
CONTACT: BRASS, NICKEL PLATED
- RATING:
VOLTAGE: 1,000 V CAT III/600 V CAT IV P2 (IEC 61010-031)
CURRENT: 36A MAX.
RESISTANCE: <5mΩ.
TEMPERATURE: -20° C TO +80° C.
- MOUNTING HOLE: REF. DIAGRAM.
- SUGGESTED PANEL THICKNESS FOR PRESS-FIT SUPPORT:
PLASTIC: >0.080" (2).
METAL: >0.062" (1.5).

PART NUMBER

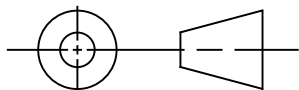
CT2911-#

- COLOR:
- 0 - BLACK
 - 1 - BROWN
 - 2 - RED
 - 3 - ORANGE
 - 4 - YELLOW
 - 5 - GREEN
 - 6 - BLUE
 - 7 - PURPLE
 - 8 - GRAY
 - 9 - WHITE

REVISIONS			
REV.	DESCRIPTIONS	DATE	APPROVED
-	CLASS A RELEASED	7/12/99	
A	BODY CONFIGURATION CHANGE; DIM. 1.33 WAS 1.30; ADDED NOTE 5.	3/1/05	



THIRD ANGLE PROJECTION



UNLESS OTHERWISE SPECIFIED DIMENSIONS ARE IN INCHES TOLERANCES ARE:
FRACTIONS DECIMALS
 $\pm 1/32$.XX $\pm .02$
 .XXX $\pm .005$
DO NOT SCALE DRAWING

CONTRACT NO.

APPROVALS

DATE

DRAWN WDH

7/12/99

CHECKED

ENGR.

DESIGN ACTIVITY

Cal Test Electronics

22820 Savi Ranch Parkway
Yorba Linda, CA 92887-4610

TITLE

**4mm PUSH-IN SAFETY SOCKET,
w/.25 FAST-ON TERMINAL**

SIZE
A

CAGE CODE
43F45

DWG. NO.

P291100

REV.
A

SCALE 1:1

SHEET 1 OF 1

NEXT ASSY

USED ON

APPLICATION

MATERIAL

FINISH

X-ON Electronics

Largest Supplier of Electrical and Electronic Components

Click to view similar products for [Test Plugs & Test Jacks](#) category:

Click to view products by [Cal Test](#) manufacturer:

Other Similar products are found below :

[579-0400](#) [66000-7](#) [R644543000](#) [R921923000](#) [R921930000](#) [R941344000](#) [R948161000](#) [R999351000](#) [1408-4](#) [1533-1](#) [174-R825B-EX](#)
[NYS508-BU](#) [1680](#) [174-R819B-EX](#) [R644543003](#) [R644543004](#) [R644543020](#) [R644543021](#) [R921926000](#) [R921931000](#) [R921932000](#)
[R921934000](#) [R929991000](#) [R941460000](#) [R941461000](#) [R941463600](#) [R941920600](#) [R948160000](#) [31B-2-RED](#) [032-0016-023](#) [105-1106-001](#)
[108-1000-106](#) [108-2301-621](#) [66001-9](#) [7013](#) [1395080-1](#) [930166100](#) [NYS508-GR](#) [NYS508-W](#) [NYS508-Y](#) [NYS511-R](#) [BP30-2BR10-B PKG](#)
[BP30-10-WT](#) [BP30-2BR-B PKG](#) [BP30Y-1 PKG](#) [R941049000](#) [R941340000](#) [R948141029](#) [R921922000](#) [R644543022](#)