

PRODUCT NUMBER
10072354-X01-XXXLF

PLATING

S = 0.38µm GOLD/GXT ON CONTACT AREA

G = 0.76µm GOLD/GXT ON CONTACT AREA

TIN ON TAIL

2µm MIN MATE

F = GOLD FLASH ON CONTACT AREA

1.27µm MIN NICKEL UNDERPLATING

TOTAL NB OF POSITIONS, 04 TO 50

2µm MIN MATE

TIN ON TAIL

COLOR OPTION, NOTE 1

ROHS COMPATIBLE, SEE NOTE 6

PACKAGING (SEE NOTE 5)

MEETS GWT 850°C 960°C

- = STANDARD COLOR CREAM

B = OPTIONAL COLOR BLACK

1. MATERIAL HOUSING: HIGH TEMP. THERMOPLASTIC UL94V-0

2. MATERIAL TERMINAL: COPPER ALLOY

3. TO DETERMINE DIMENSIONS:

N = NUMBER OF POSITIONS PER ROW

4. 7N MIN. PIN RETENTION IN EITHER DIRECTION.

5. PACKAGING:

= PLASTIC BOX

U = TUBE AVAILABLE FROM 06 TO 50 POS

K = TAPE & REEL WITHOUT PICK UP CAP, AS AVAILABLE

6. ROHS COMPATIBLE PRODUCT SPECIFICATIONS

PLATING:

"LF" MEANS THE PRODUCT IS LEAD-FREE.

2µm MINIMUM MATE TIN OVER 1.27µm

MINIMUM NICKEL UNDERPLATE.

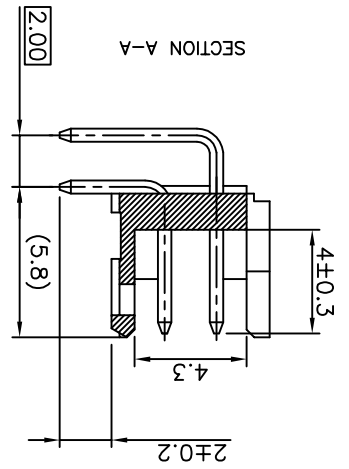
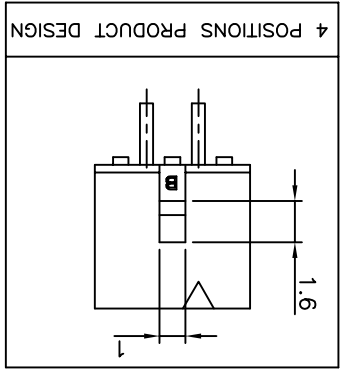
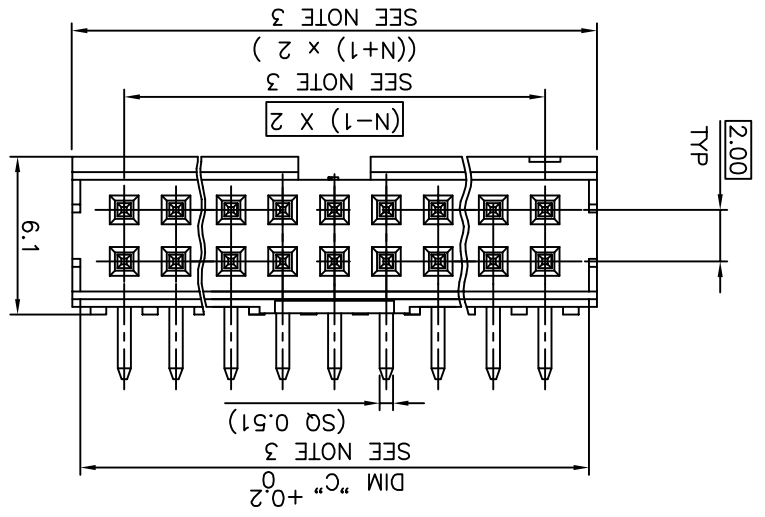
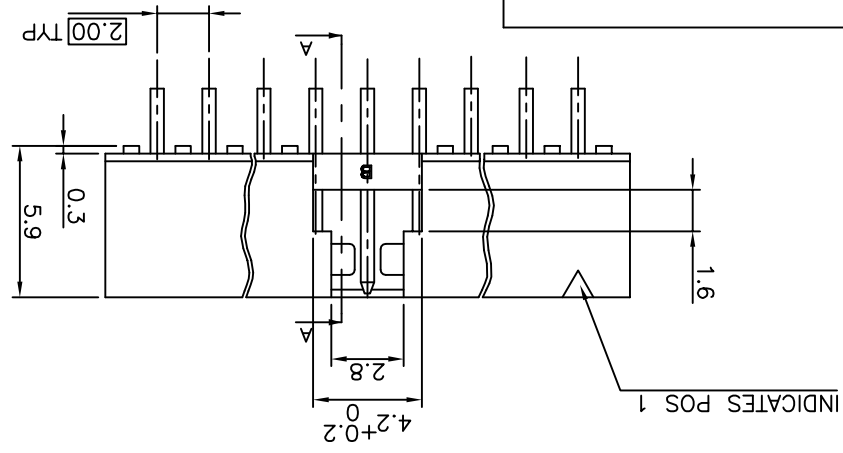
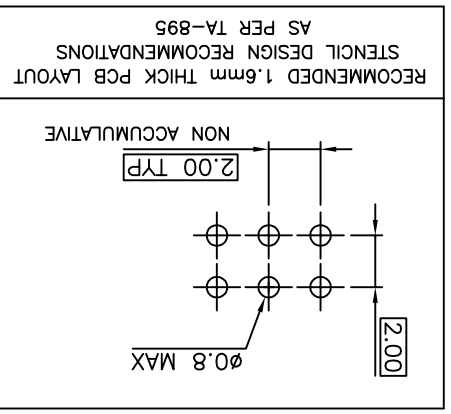
MANUFACTURING PROCESS COMPATIBILITY

THE HOUSING WITHSTAND EXPOSURE TO 260°C PEAK TEMPERATURE FOR 30 SECONDS MAX IN A CONVECTION, INRA-RED OR VAPOR PHASE OR REFLOW OVEN.

MEETS PACKAGING SPECS AS PER GS-14-920

THIS PRODUCT MEETS EUROPEAN DIRECTIVES AND OTHER COUNTRY REGULATIONS AS DESCRIBED

IN GS-47-0004



mat'l. code	SEE NOTES	surface	ISO 1302	tolerance	ISO 406 ISO 101	projection	product family	MINITEK
ltf	ecn no	dr	date	tolerances unless otherwise specified	mm	title	SHR HEADER	
H	B-19190	LMU	14.10.24	angle	X.X ±0.13	scale	1:1	
J	B-20110	BVE	15.01.28	linear	X.XX ±0.05	dwg no	10072354	sheet 1 of 1 size A3
K	B-20254	LMU	15.02.16	±Z		customer drawing	CUSTOMER Drawing	
L	B-20611	AMA	15.03.31	dr	L.MULIN	06.09.14		
M	F-23051	AMA	16.01.15	eng	J.COMPAGNON	06.09.14		
G	B-17745	JCO	21.05.14	ppd	J.M.C	06.09.14		
sheet revision								
index sheet								

X-ON Electronics

Largest Supplier of Electrical and Electronic Components

Click to view similar products for [Headers & Wire Housings](#) category:

Click to view products by [Amphenol](#) manufacturer:

Other Similar products are found below :

[95000-104TRLF](#) [10135584-644402LF](#) [DF62W-EP2022PCA](#) [95000-106TRLF](#) [DF62W-2022SCA](#) [DF62W-EP2022PC](#) [2203348](#) [DF62W-2022SC](#) [1084018](#) [1029039](#) [1084017](#) [802-10-012-10-002000](#) [1112640](#) [1112639](#) [000-34000](#) [0009482033](#) [0009507031](#) [57102-S06-03LF](#) [57202-S52-04LF](#) [PCN6-15S-2.5E](#) [0039019024](#) [58102-G61-06LF](#) [582553-1](#) [0009485154](#) [0009508121](#) [0022285053](#) [0050291907](#) [018731A](#) [LY20-4P-DT1-P1E-BR](#) [02.125.8002.8](#) [60101931](#) [60598-1 \(Cut Strip\)](#) [M1625-3R/100](#) [61062-3](#) [61082-181009](#) [636-1427](#) [638009-1](#) [641938-9](#) [641991-4](#) [644168-1](#) [647662-1](#) [65039-019ELF](#) [65817-002LF](#) [65817-015LF](#) [65863-015LF](#) [66207-023LF](#) [67016-026LF](#) [67046-001LF](#) [67095-007LF](#) [67230-005LF](#)