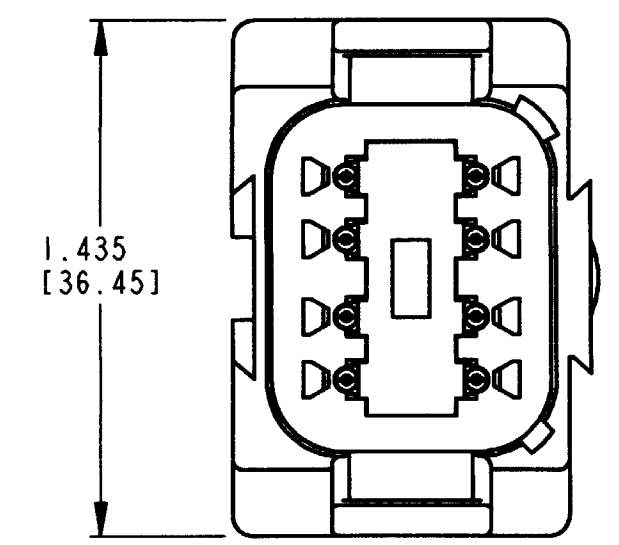
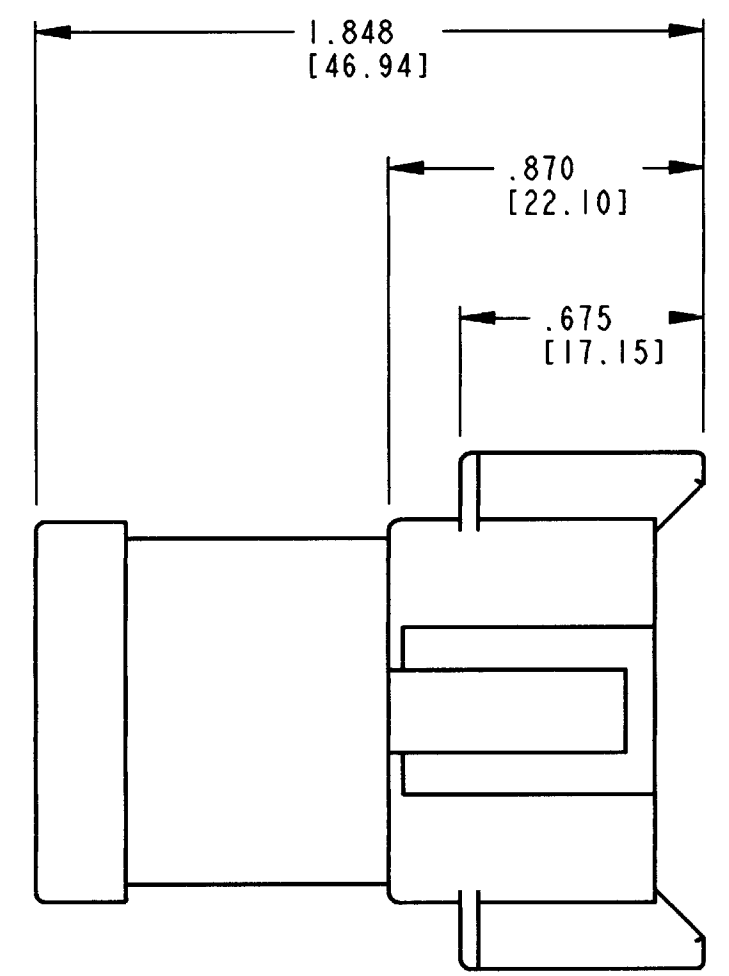
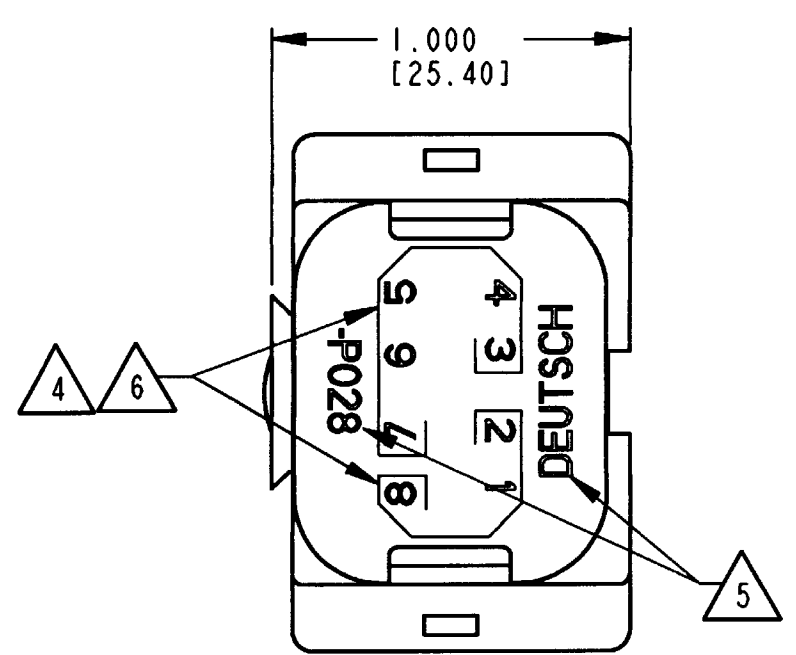


3D VIEW



REV	DT04-08PA-P028	REVISIONS		
NC	SYM	DESCRIPTION	DATE	APPROVED
	NC	NEW RELEASE PER E.O. PI6830	9-1-00	RDR

- 5. ORIENTATION OF "DEUTSCH" AND "-P028" TO BE OPTIONAL.
- 4. BORDER SIGNIFIES THAT PINS 3,4,5,6,7 ARE BUSSED TOGETHER WITH A 5 PIN BUSBAR AND PINS 1,2,8 ARE BUSSED TOGETHER WITH A 3 PIN BUSBAR.
- 3. THIS DT04-08PA-P028 MATES WITH DT06-08SA-**** (**** = ALL MODIFICATIONS). CONSULT FACTORY FOR MODIFICATIONS.
- 2. DIMENSIONS ARE ±.025[0.63] UNLESS OTHERWISE SPECIFIED.
- 1. DIMENSIONS ARE IN INCHES [MILLIMETERS].

- 6. THE 3 PIN BUSBAR HAS A MAXIMUM CURRENT RATING OF 13 AMPS. THE 5 PIN BUSBAR HAS A MAXIMUM CURRENT RATING OF 26 AMPS.

NOTES:

SIGNATURE & DATE		DT 8 WAY RECEPTACLE KEY ARRANGEMENT -A- 5 & 3 PIN BUSBAR-NICKEL PLATED COLOR: GREY	CP	MATL. CODE
DR	P. BURKE 8/25/00		The Deutch Company	
CHK	L. Pulkh 9/1/00		DEUTSCH I.P.D. 3850 INDUSTRIAL AVE. HEMET, CALIF. 92545	
PE	W. Burke 8/31/00		DT04-08PA-P028	
APPD	S. Beard 8/31/00	ENVELOPE	DWG. SIZE	CODE 11139
SCALE	NONE	WT	SHEET	OF

X-ON Electronics

Largest Supplier of Electrical and Electronic Components

Click to view similar products for [Automotive Connectors](#) category:

Click to view products by [TE Connectivity](#) manufacturer:

Other Similar products are found below :

[003-018-000](#) [600858](#) [60403001](#) [60993906-B](#) [60993913-B](#) [629515004020001](#) [M902-2131](#) [M902-2161](#) [M902-2344](#) [72.330.1035.1](#)
[73.353.4028.0](#) [F118010](#) [F119300-B](#) [F132210](#) [F132210-B](#) [F166900](#) [F180100](#) [F258300](#) [F258300-B](#) [F294300-B](#) [F339100](#) [F339700](#) [F358300-](#)
[B](#) [F374110](#) [F407400](#) [F412210](#) [F427600](#) [F444110](#) [F487000](#) [F495100-B](#) [F500900-B](#) [F509500B-B](#) [770444-1](#) [776880-1](#) [827153-1](#) [881735-1](#)
[8N1515-32-24P](#) [9-1326729-8](#) [925467-1](#) [925474-1](#) [928905-1](#) [936398-2](#) [964562-1](#) [964562-4](#) [964731-2](#) [965051-1](#) [968782-1](#) [GT17SA-8DS-](#)
[HU](#) [GT17VS-10DP-5.2CF](#) [98315-0001](#)