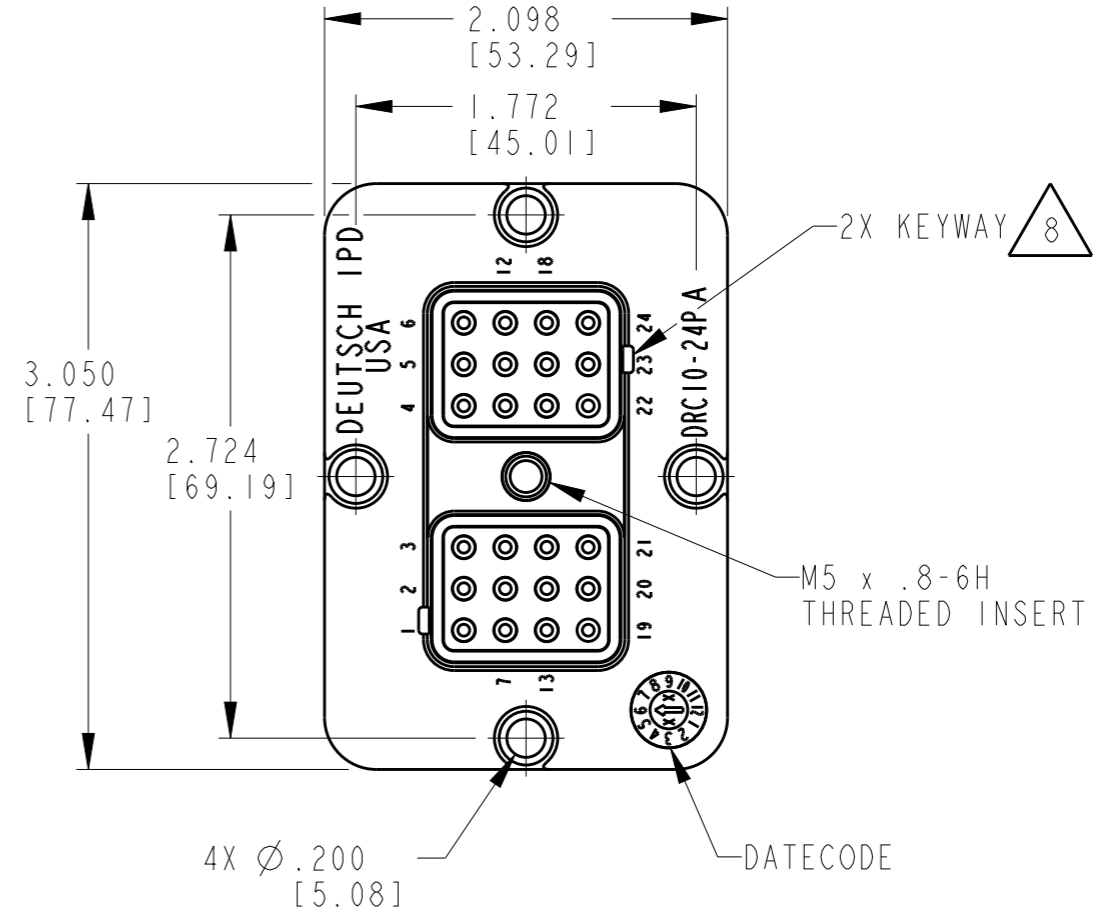
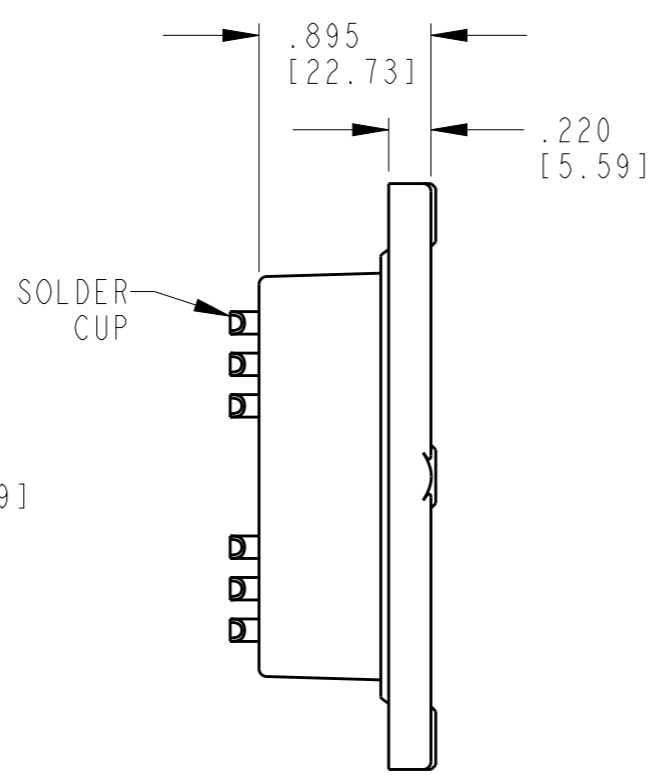
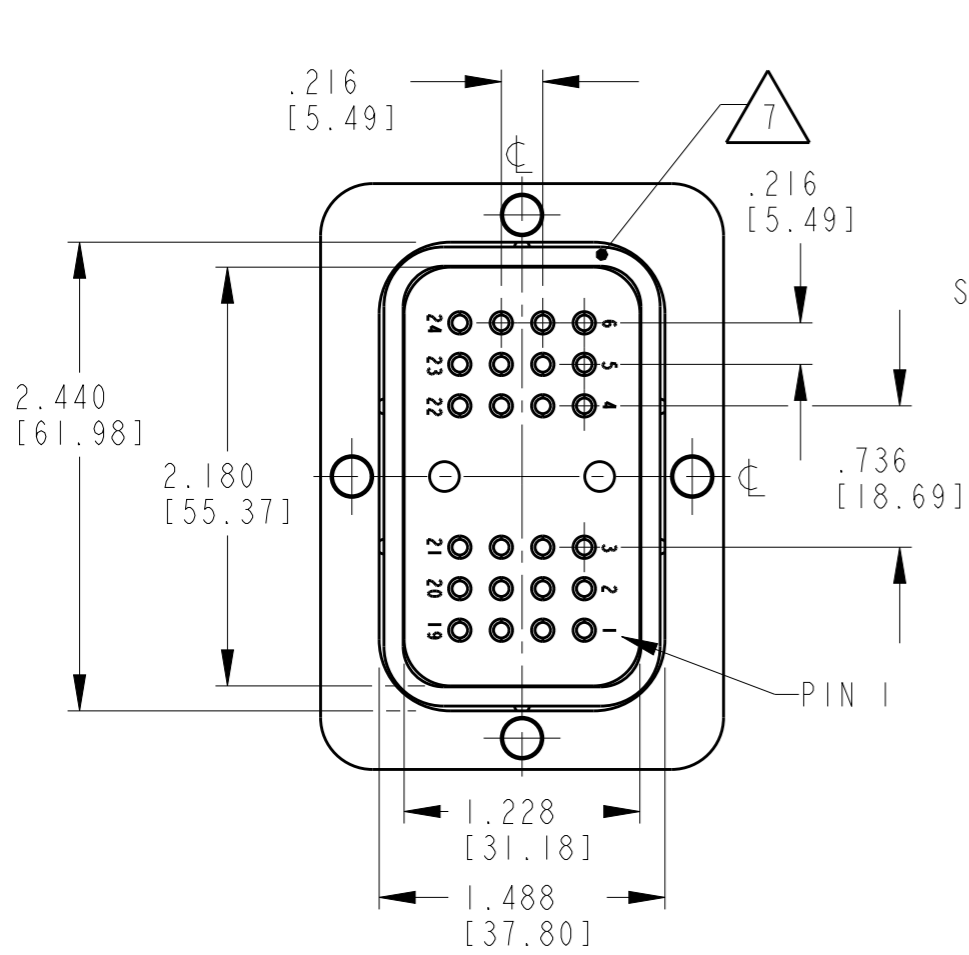


| REVISIONS | | | | | |
|-----------|-----|-----------------------------|-----------|-----|------|
| P | LTR | DESCRIPTION | DATE | DWN | APVD |
| | C | REVISED PER PCN-E-16-016968 | 09JAN2017 | MGM | DM |
| | | | | | |
| | | | | | |

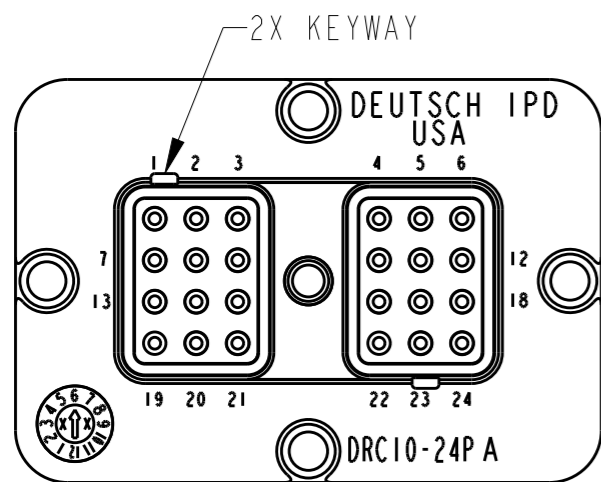


- 8 SEE SHEET 2 FOR OTHER KEY ARRANGEMENTS.
 - 7 FLANGE SEAL (0510-014-2406) IS SOLD SEPARATELY.
 - 6 SURFACE FINISH: 32 RMS OR BETTER; .005 [.12]
 - 5. THIS RECEPTACLE MATES WITH DRC16-24SX-XXXX PLUG; (X=A,B,C,D KEYS) (XXXX = ALL MODIFICATIONS). CONSULT FACTORY FOR MODS.
 - 4. CONTACT PLATING - MATING AND SOLDER CUP SIDE: TIN.
 - 3. MATERIAL - HOUSING: PLASTIC; SEAL: RUBBER; THREADED INSERT: STEEL.
 - 2. RECEPTACLE IS SUPPLIED WITH DUST CAP (NOT SHOWN).
 - 1. DIMENSION TOLERANCE: ±.025 [.64]; CUTOUT: ±.010 [.25].
- NOTES: UNLESS OTHERWISE SPECIFIED

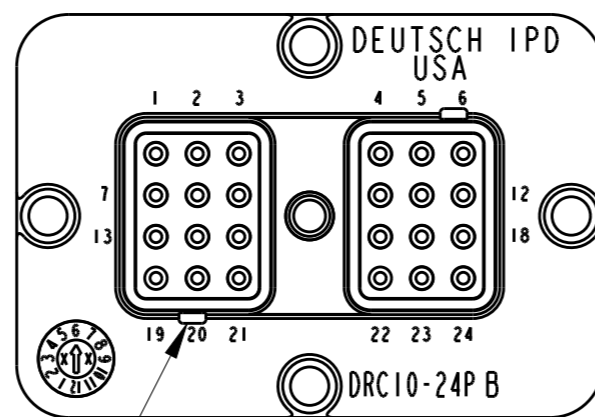
| TE INTERNAL PN | DEUTSCH PN |
|----------------|------------|
| DRC10-24PA | DRC10-24PA |
| DRC10-24PB | DRC10-24PB |
| DRC10-24PC | DRC10-24PC |
| DRC10-24PD | DRC10-24PD |

| | | | | | | | | | | | | | | | | | | | |
|--|---|-------------------------|--|------------------------|-------|---|-------|---|-------|---|-------|---|--|--------|---|--|----------------|---------|--|
| THIS DRAWING IS A CONTROLLED DOCUMENT. | | DWN D. MEYER 16MAY2002 | | | | | | | | | | | | | | | | | |
| DIMENSIONS: IN [mm] | | CHK R. MCCORD 03AUG2006 | | | | | | | | | | | | | | | | | |
| TOLERANCES UNLESS OTHERWISE SPECIFIED: | | APVD R. REED 03AUG2006 | NAME RECEPTACLE, FLANGED 24 #16 SIZE CONTACTS COLOR: BLACK | | | | | | | | | | | | | | | | |
| <table border="0"> <tr> <td>0 PLC</td> <td>±</td> <td rowspan="4"></td> </tr> <tr> <td>1 PLC</td> <td>±</td> </tr> <tr> <td>2 PLC</td> <td>±</td> </tr> <tr> <td>3 PLC</td> <td>±</td> </tr> <tr> <td>4 PLC</td> <td>±</td> <td></td> </tr> <tr> <td>ANGLES</td> <td>±</td> <td></td> </tr> </table> | | 0 PLC | ± | | 1 PLC | ± | 2 PLC | ± | 3 PLC | ± | 4 PLC | ± | | ANGLES | ± | | PRODUCT SPEC - | SIZE A3 | |
| 0 PLC | ± | | | | | | | | | | | | | | | | | | |
| 1 PLC | ± | | | | | | | | | | | | | | | | | | |
| 2 PLC | ± | | | | | | | | | | | | | | | | | | |
| 3 PLC | ± | | | | | | | | | | | | | | | | | | |
| 4 PLC | ± | | | | | | | | | | | | | | | | | | |
| ANGLES | ± | | | | | | | | | | | | | | | | | | |
| MATERIAL | | APPLICATION SPEC - | CAGE CODE 4AFU8 | DRAWING NO. DRC10-24PX | | | | | | | | | | | | | | | |
| FINISH | | WEIGHT 79.3 (g) | RESTRICTED TO - | | | | | | | | | | | | | | | | |
| | | CUSTOMER DRAWING | SCALE 1:1 | SHEET 1 OF 2 | | | | | | | | | | | | | | | |
| | | | REV C | | | | | | | | | | | | | | | | |

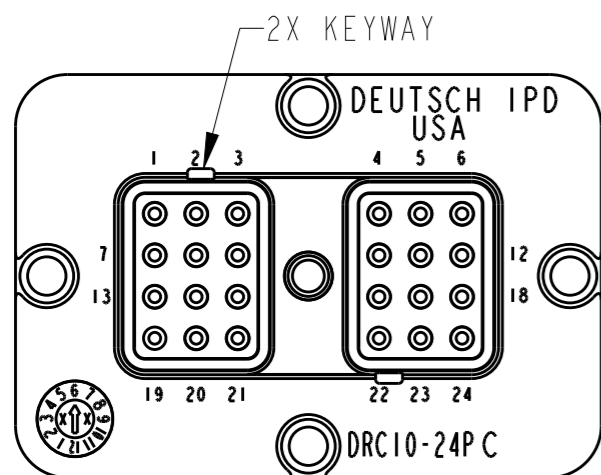
| REVISIONS | | | | | |
|-----------|-----|-------------|------|-----|------|
| P | LTR | DESCRIPTION | DATE | DWN | APVD |
| - | - | SEE SHEET 1 | - | - | - |



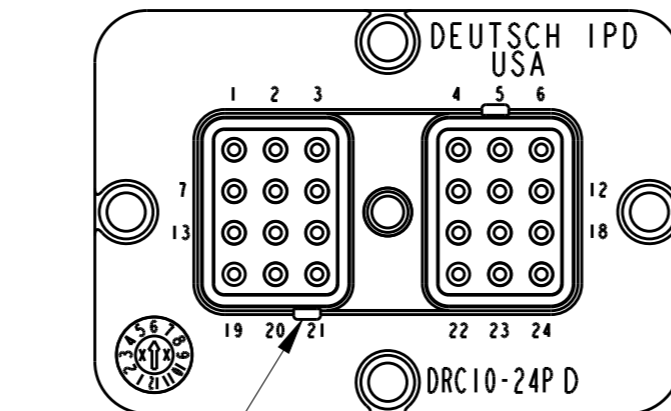
**DRC10-24PA
KEY -A-**



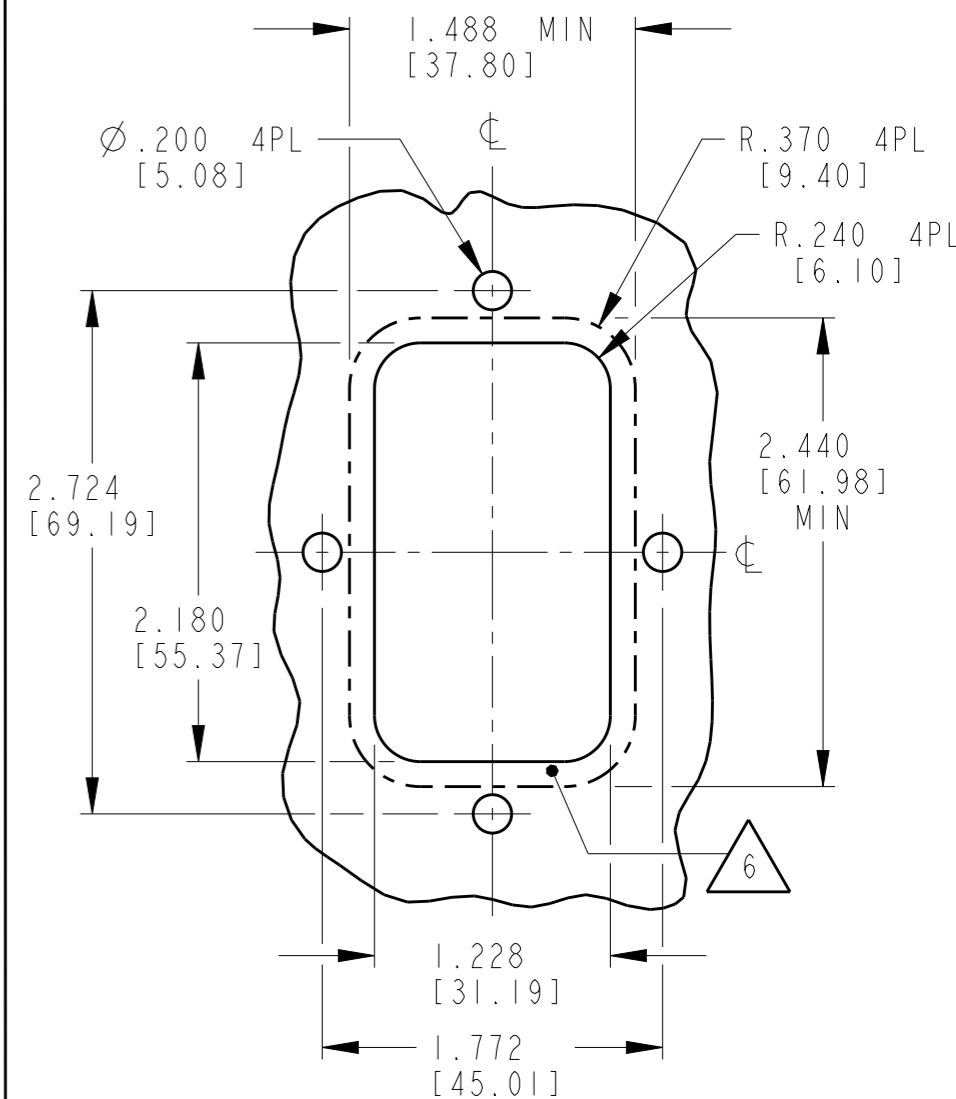
**DRC10-24PB
KEY -B-**



**DRC10-24PC
KEY -C-**



**DRC10-24PD
KEY -D-**



RECOMMENDED CUTOUT

| | | | | | | | | | | | | | | | | | | | |
|---|---|-------------------------------|---|--------------------------|--------------------|---|-------|---|-------|---|-------|---|--|--------|---|--|-------------------|------------|--|
| THIS DRAWING IS A CONTROLLED DOCUMENT. | | DWN D. MEYER 16MAY2002 | | | | | | | | | | | | | | | | | |
| DIMENSIONS: IN [mm] | | CHK R. MCCORD 03AUG2006 | | | | | | | | | | | | | | | | | |
| TOLERANCES UNLESS OTHERWISE SPECIFIED: | | APVD R. REED 03AUG2006 | NAME RECEPTACLE, FLANGED 24 #16 SIZE CONTACTS COLOR: BLACK | | | | | | | | | | | | | | | | |
| <table border="0"> <tr> <td>0 PLC</td> <td>±</td> <td rowspan="4"> </td> </tr> <tr> <td>1 PLC</td> <td>±</td> </tr> <tr> <td>2 PLC</td> <td>±</td> </tr> <tr> <td>3 PLC</td> <td>±</td> </tr> <tr> <td>4 PLC</td> <td>±</td> <td></td> </tr> <tr> <td>ANGLES</td> <td>±</td> <td></td> </tr> </table> | | 0 PLC | ± | | 1 PLC | ± | 2 PLC | ± | 3 PLC | ± | 4 PLC | ± | | ANGLES | ± | | PRODUCT SPEC - | SIZE A3 | |
| 0 PLC | ± | | | | | | | | | | | | | | | | | | |
| 1 PLC | ± | | | | | | | | | | | | | | | | | | |
| 2 PLC | ± | | | | | | | | | | | | | | | | | | |
| 3 PLC | ± | | | | | | | | | | | | | | | | | | |
| 4 PLC | ± | | | | | | | | | | | | | | | | | | |
| ANGLES | ± | | | | | | | | | | | | | | | | | | |
| MATERIAL | | APPLICATION SPEC - | CAGE CODE 4AFU8 | DRAWING NO DRC10-24PX | RESTRICTED TO - | | | | | | | | | | | | | | |
| FINISH | | WEIGHT 79.3 (g) | SCALE 1:1 | SHEET 2 OF 2 | REV C | | | | | | | | | | | | | | |
| CUSTOMER DRAWING | | | | | | | | | | | | | | | | | | | |

X-ON Electronics

Largest Supplier of Electrical and Electronic Components

Click to view similar products for [Automotive Connectors](#) category:

Click to view products by [TE Connectivity](#) manufacturer:

Other Similar products are found below :

[003-018-000](#) [600858](#) [60403001](#) [60993906-B](#) [60993913-B](#) [629515004020001](#) [M902-2131](#) [M902-2161](#) [M902-2344](#) [72.330.1035.1](#)
[73.353.4028.0](#) [F118010](#) [F119300-B](#) [F132210](#) [F132210-B](#) [F166900](#) [F180100](#) [F258300](#) [F258300-B](#) [F294300-B](#) [F339100](#) [F339700](#) [F358300-](#)
[B](#) [F374110](#) [F407400](#) [F412210](#) [F427600](#) [F444110](#) [F487000](#) [F495100-B](#) [F500900-B](#) [F509500B-B](#) [770444-1](#) [776880-1](#) [827153-1](#) [881735-1](#)
[8N1515-32-24P](#) [9-1326729-8](#) [925467-1](#) [925474-1](#) [928905-1](#) [936398-2](#) [964562-1](#) [964562-4](#) [964731-2](#) [965051-1](#) [968782-1](#) [GT17SA-8DS-](#)
[HU](#) [GT17VS-10DP-5.2CF](#) [98315-0001](#)