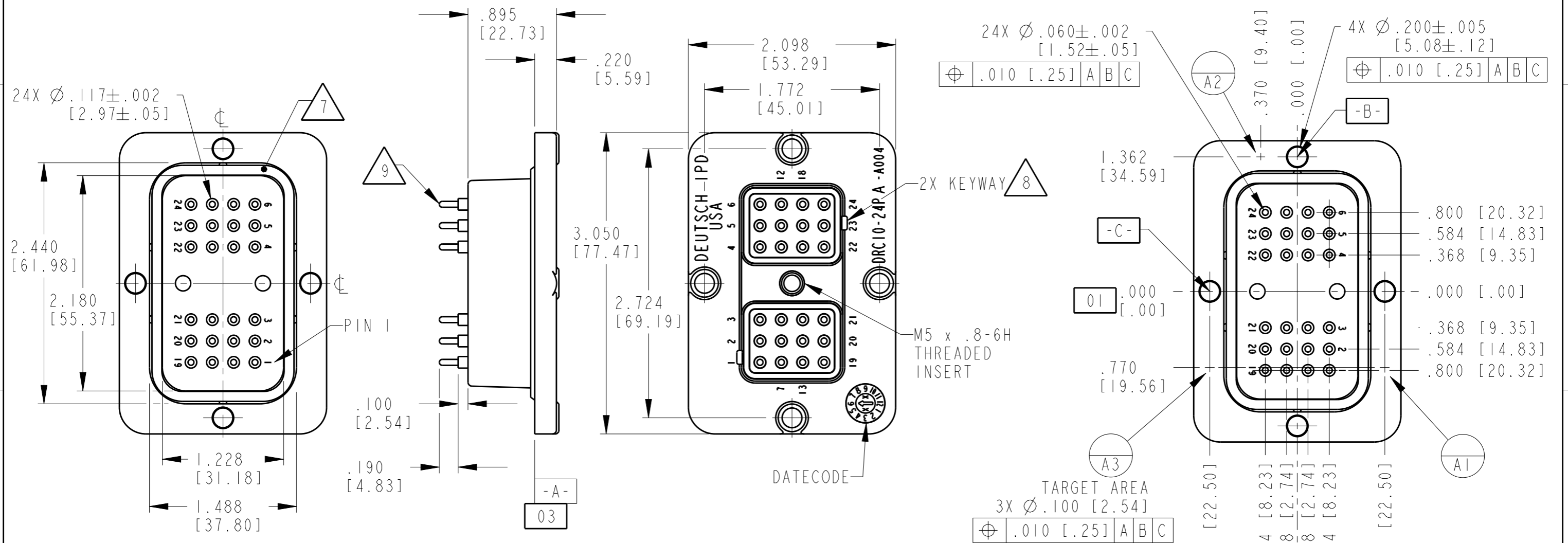


REVISIONS					
P	LTR	DESCRIPTION	DATE	DWN	APVD
	C	REVISED PER PCN-E-16-016968	12JAN2017	MGM	DM



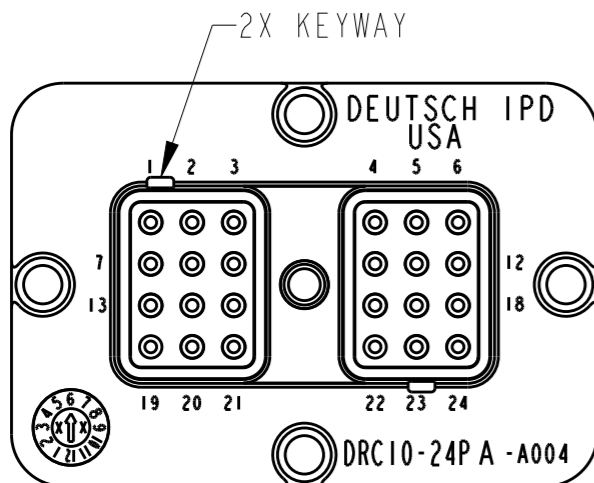
- 6 SURFACE FINISH: 32 RMS OR BETTER; \square .005 [.12]
- 5. THIS RECEPTACLE MATES WITH DRC16-24SX-XXXX PLUG; (X=A,B,C,D KEYS) (XXXX = ALL MODIFICATIONS). CONSULT FACTORY FOR MODS.
- 4. CONTACT PLATING - MATING AND PIN TAIL SIDE: TIN.
- 3. MATERIAL - HOUSING: PLASTIC; SEAL: RUBBER; THREADED INSERT: STEEL.
- 2. RECEPTACLE IS SUPPLIED WITH DUST CAP (NOT SHOWN).
- 1. DIMENSION TOLERANCE: $\pm .025$ [.64]; CUTOUT: $\pm .010$ [.25] UNLESS OTHERWISE SPECIFIED

- 9 PART MODIFICATION: PIN CONTACT TAILS.
- 8 SEE SHEET 2 FOR OTHER KEY ARRANGEMENTS.
- 7 FLANGE SEAL (0510-014-2406) IS SOLD SEPARATELY.

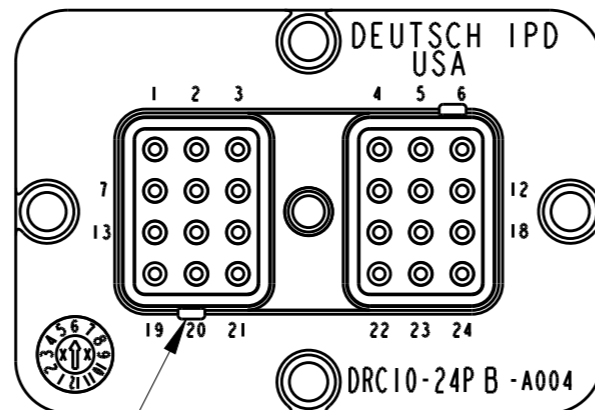
TE INTERNAL PN	DEUTSCH PN
DRC10-24PA-A004	DRC10-24PA-A004
DRC10-24PB-A004	DRC10-24PB-A004
DRC10-24PC-A004	DRC10-24PC-A004
DRC10-24PD-A004	DRC10-24PD-A004

THIS DRAWING IS A CONTROLLED DOCUMENT.		DWN D. MEYER 17MAY2002	TE Connectivity	
DIMENSIONS: IN [mm]		CHK D. MEYER 28JUL2006		
TOLERANCES UNLESS OTHERWISE SPECIFIED:		APVD R. REED 03AUG2006	NAME RECEPTACLE, FLANGED 24 #16 SIZE CONTACTS COLOR: BLACK -A004 MOD	
0 PLC \pm 1 PLC \pm 2 PLC \pm 3 PLC \pm 4 PLC \pm ANGLES $\pm 30'0''$ FINISH \pm		PRODUCT SPEC -	SIZE A3 CAGE CODE 4AFU8 DRAWING NO. DRC10-24PX-A004 RESTRICTED TO -	
MATERIAL \triangle 3		APPLICATION SPEC -	SCALE 1:1 SHEET 1 OF 2 REV C	
CUSTOMER DRAWING		WEIGHT		

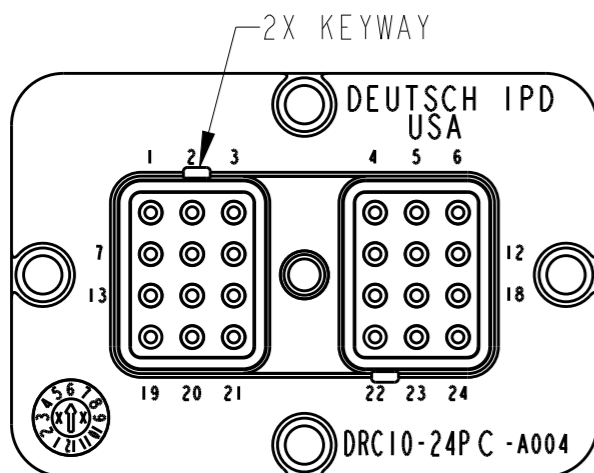
REVISIONS					
P	LTR	DESCRIPTION	DATE	DWN	APVD
-	-	SEE SHEET 1	-	-	-



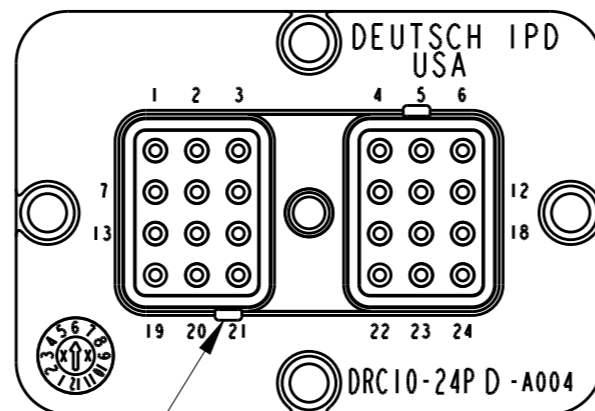
**DRC10-24PA-A004
KEY -A-**



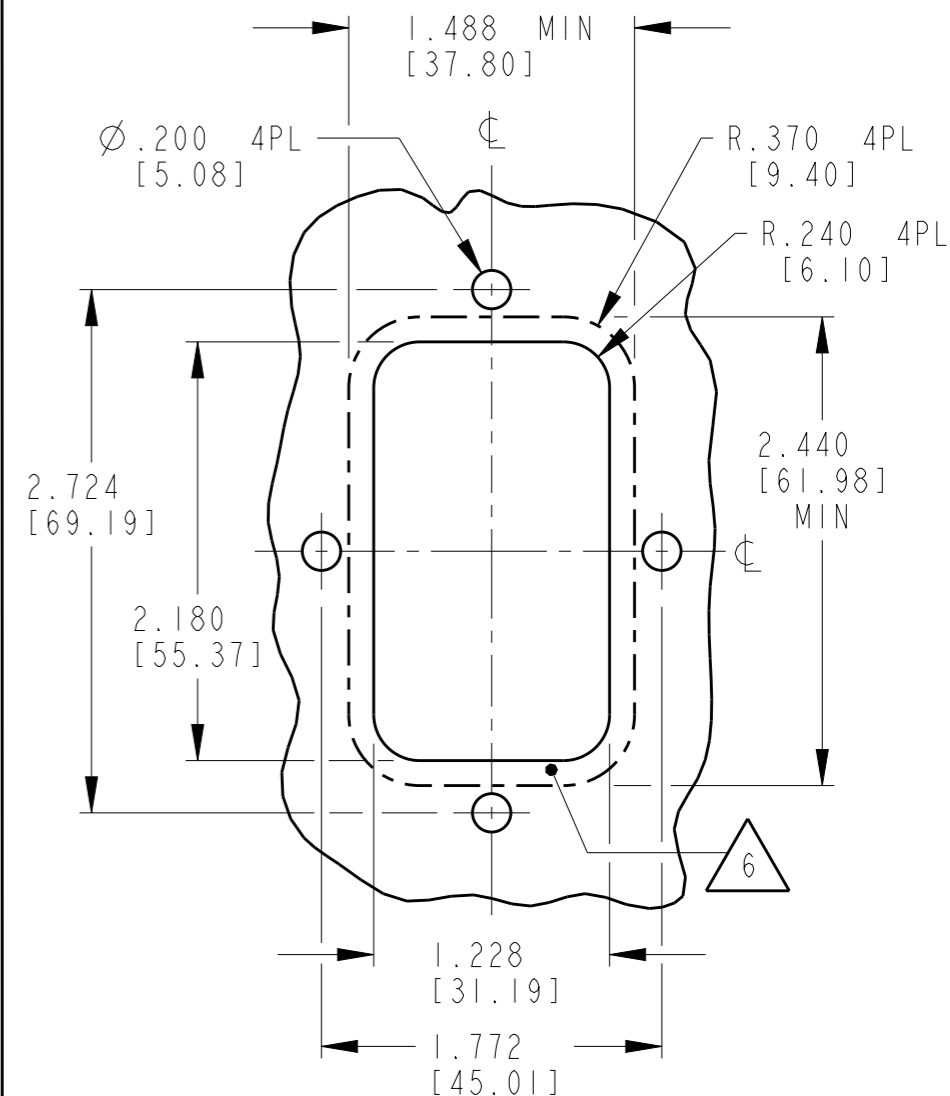
**DRC10-24PB-A004
KEY -B-**






**DRC10-24PC-A004
KEY -C-**



**DRC10-24PD-A004
KEY -D-**



RECOMMENDED CUTOUT

THIS DRAWING IS A CONTROLLED DOCUMENT.		DWN D. MEYER 17MAY2002	 TE Connectivity	
DIMENSIONS: IN [mm]		CHK D. MEYER 28JUL2006		
TOLERANCES UNLESS OTHERWISE SPECIFIED:		APVD R. REED 03AUG2006	NAME RECEPTACLE, FLANGED 24 #16 SIZE CONTACTS COLOR: BLACK -A004 MOD	
0 PLC ± 1 PLC ± 2 PLC ± 3 PLC ± 4 PLC ± ANGLES ±0°30'0"		PRODUCT SPEC -	SIZE A3	
MATERIAL		APPLICATION SPEC -	CAGE CODE 4AFU8	DRAWING NO DRC10-24PX-A004
FINISH		WEIGHT	RESTRICTED TO -	
		CUSTOMER DRAWING		SCALE 1:1
		SHEET 2 OF 2		REV C

X-ON Electronics

Largest Supplier of Electrical and Electronic Components

Click to view similar products for [Automotive Connectors](#) category:

Click to view products by [TE Connectivity](#) manufacturer:

Other Similar products are found below :

[003-018-000](#) [600858](#) [60403001](#) [60993906-B](#) [60993913-B](#) [629515004020001](#) [M902-2131](#) [M902-2161](#) [M902-2344](#) [72.330.1035.1](#)
[73.353.4028.0](#) [F118010](#) [F119300-B](#) [F132210](#) [F132210-B](#) [F166900](#) [F180100](#) [F258300](#) [F258300-B](#) [F294300-B](#) [F339100](#) [F339700](#) [F358300-](#)
[B](#) [F374110](#) [F407400](#) [F412210](#) [F427600](#) [F444110](#) [F487000](#) [F495100-B](#) [F500900-B](#) [F509500B-B](#) [770444-1](#) [776880-1](#) [827153-1](#) [881735-1](#)
[8N1515-32-24P](#) [9-1326729-8](#) [925467-1](#) [925474-1](#) [928905-1](#) [936398-2](#) [964562-1](#) [964562-4](#) [964731-2](#) [965051-1](#) [968782-1](#) [GT17SA-8DS-](#)
[HU](#) [GT17VS-10DP-5.2CF](#) [98315-0001](#)