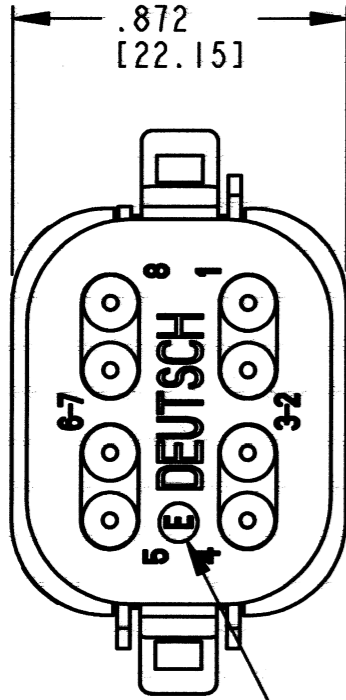


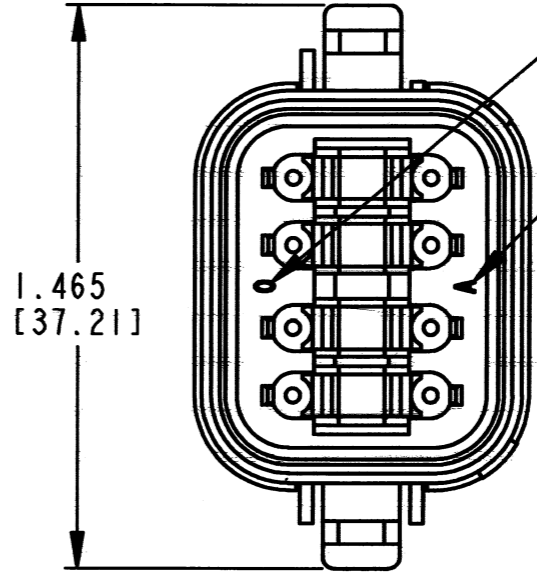
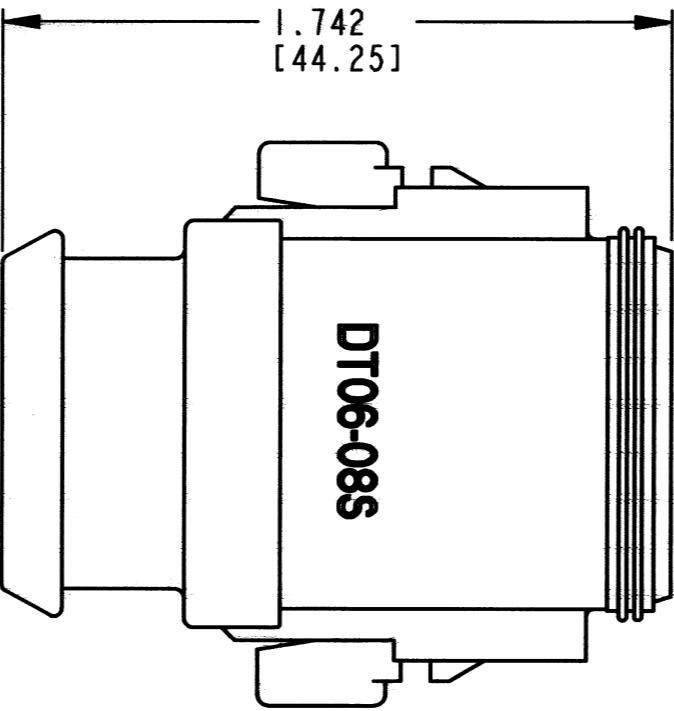
REV
NC DT06-08S*CE13

REVISIONS			
SYM	DESCRIPTION	DATE	APPROVED
NC	NEW RELEASE PER E.O. P21047	8-1-11	RDR

DATE CODE: YEAR TO BE REPRESENTED BY LAST NUMERICAL DIGIT. EX: 0 = 2010
MONTH USES SEQUENTIAL ALPHA CHARACTERS. EX: A = JANUARY



--E- SYMBOL DESIGNATES REDUCED WIRE SEAL



- 5. MATERIAL: SHELL: PLASTIC; SEAL: RUBBER
- 4. THIS PLUG MATES WITH DT04-08P*-**** RECEPTACLE. (* = A,B,C,D, KEY ARRANGEMENT; **** = ALL MODIFICATIONS).
- 3. FOR WIRE AND CONTACT SPECIFICATION AND APPLICATION SEE ENVELOPE DRAWING 0425-015-0000 AND 0425-017-0000.
- 2. ALL DIMENSIONS ARE ±.025 [1.64] UNLESS OTHERWISE SPECIFIED.
- 1. ALL DIMENSIONS ARE IN INCHES [MILLIMETERS].

NOTES:

CONTACT SIZE	MIN. INSUL. O.D.	MAX. INSUL. O.D.	WIRE RANGE [mm ²] REF. ONLY
16	.053 [1.35]	.120 [3.05]	14-20 AWG [2.0-0.5]

SIGNATURE & DATE	
DR	R. MESSENGER 7/21/11
CHK	[Signature] 7/29/11
PE	[Signature] 7/29/11
APPD	[Signature] 7/29/11
SCALE	NONE WT

8 WAY PLUG
E SEAL, SHRINK BOOT
SEAL RETENTION
DT SERIES

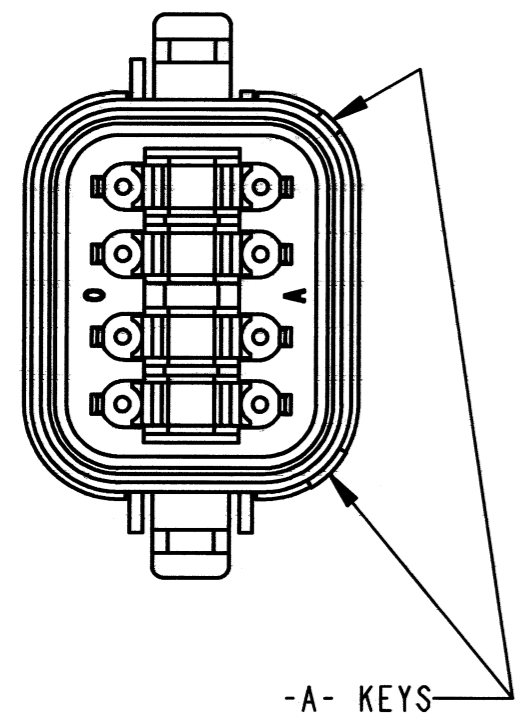
ENVELOPE

EP	MATL. CODE
3850 INDUSTRIAL AVE. HEMET, CA 92545	
B	DT06-08S*CE13
DWG SIZE	CODE 11139 SHEET 1 OF 2

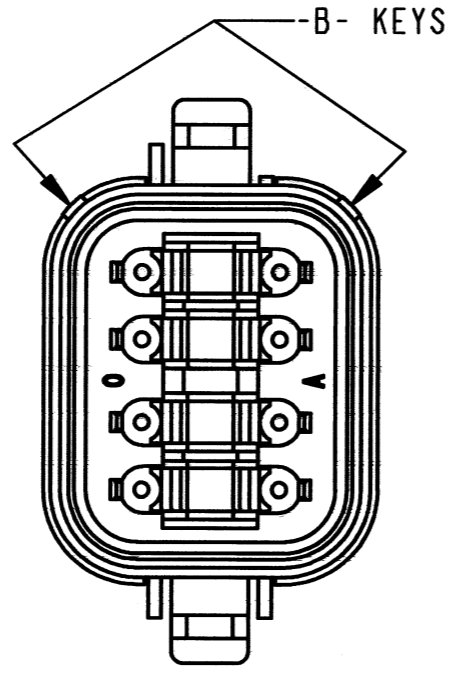
REV
NC DT06-08S*-CE13

REVISIONS			
SYM	DESCRIPTION	DATE	APPROVED
NC	SEE SHEET 1	8-1-11	RDR

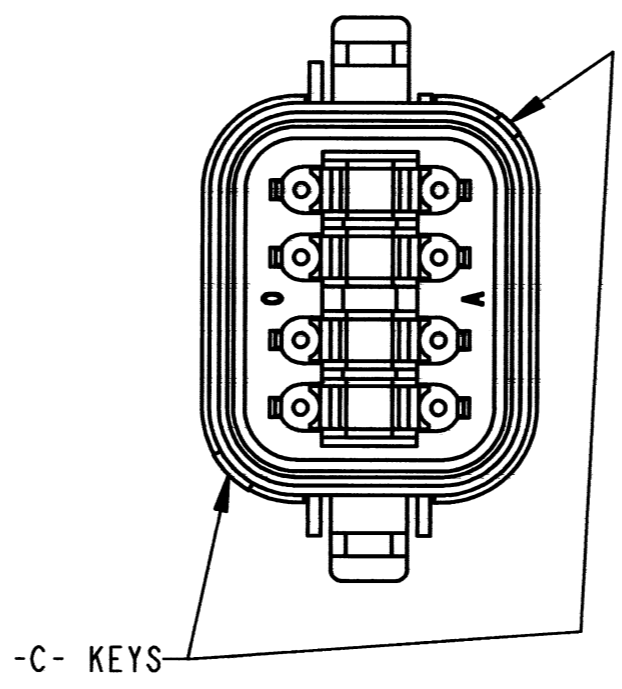
DT06-08SA-CE13
-A- KEY
COLOR: GRAY



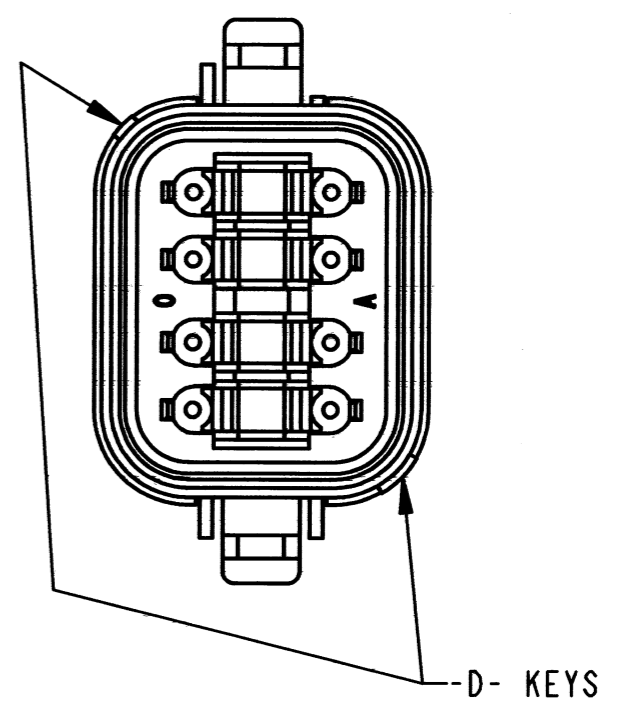
DT06-08SB-CE13
-B- KEY
COLOR: BLACK



DT06-08SC-CE13
-C- KEY
COLOR: GREEN



DT06-08SD-CE13
-D- KEY
COLOR: BROWN



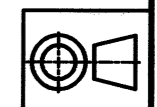
NOTES:

SIGNATURE & DATE	
DR	R. MESSENGER 7/21/11
CHK	<i>[Signature]</i> 7/29/2011
PE	R. messenger 7/25/11
APPD	<i>[Signature]</i> 7/28/11
SCALE	NONE WT

8 WAY PLUG
E SEAL, SHRINK BOOT
SEAL RETENTION
DT SERIES

ENVELOPE

EP	MATL. CODE
3850 INDUSTRIAL AVE. HEMET, CA 92545	
B	DT06-08S*-CE13
DWG SIZE	CODE 11139 SHEET 2 OF 2



X-ON Electronics

Largest Supplier of Electrical and Electronic Components

Click to view similar products for [Automotive Connectors](#) category:

Click to view products by [TE Connectivity](#) manufacturer:

Other Similar products are found below :

[003-018-000](#) [600858](#) [60403001](#) [60993906-B](#) [60993913-B](#) [629515004020001](#) [M902-2131](#) [M902-2161](#) [M902-2344](#) [72.330.1035.1](#)
[73.353.4028.0](#) [F118010](#) [F119300-B](#) [F132210](#) [F132210-B](#) [F166900](#) [F180100](#) [F258300](#) [F258300-B](#) [F294300-B](#) [F339100](#) [F339700](#) [F358300-](#)
[B](#) [F374110](#) [F407400](#) [F412210](#) [F427600](#) [F444110](#) [F487000](#) [F495100-B](#) [F500900-B](#) [F509500B-B](#) [770444-1](#) [776880-1](#) [827153-1](#) [881735-1](#)
[8N1515-32-24P](#) [9-1326729-8](#) [925467-1](#) [925474-1](#) [928905-1](#) [936398-2](#) [964562-1](#) [964562-4](#) [964731-2](#) [965051-1](#) [968782-1](#) [GT17SA-8DS-](#)
[HU](#) [GT17VS-10DP-5.2CF](#) [98315-0001](#)