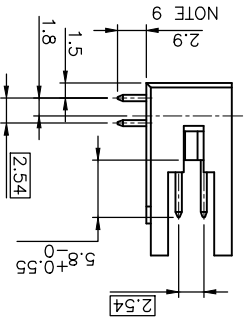
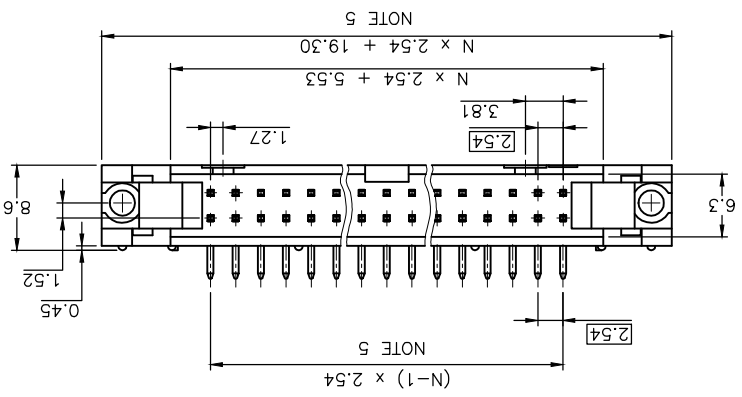
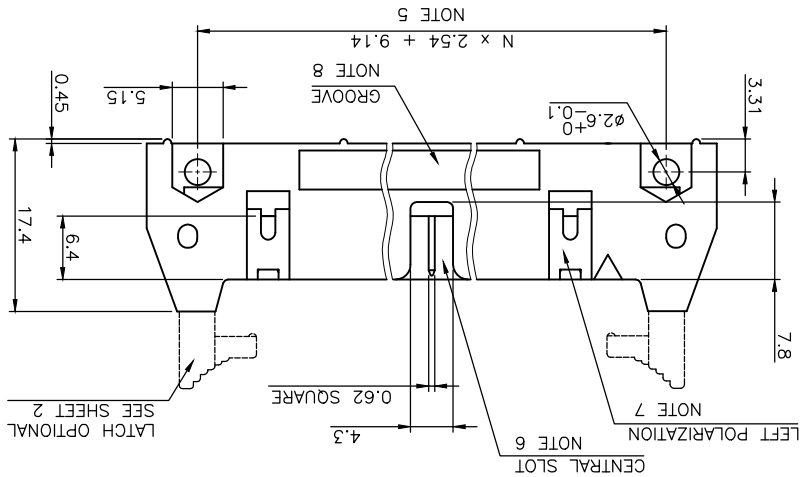
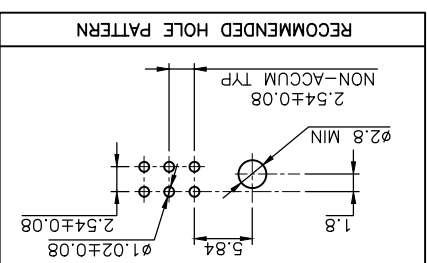


PRODUCT NUMBER  
71922-XXXXLF

- RoHS COMPATIBLE, SEE NOTE 10
- = STANDARD HOUSING COLOR GREY (WITHOUT OPTIONAL LETTER)
- B= OPTIONAL HOUSING COLOR BLACK
- S= SPECIFIC CUSTOMER PLATING OPTION
- = HOUSING COLOR GREY
- LATCHING
- 0= WITHOUT LATCH
- 1= STANDARD LATCH
- 2= LOW PROFILE LATCH
- TOTAL NB OF POSITIONS, SEE SHEET 2

NOTES:  
1 - HOUSING MAT'L: GLASS FILLED THERMOPLASTIC, UL94V-0  
2 - PIN MATERIAL: PHOSPHOR BRONZE  
3 - PRODUCT PACKAGED IN TUBES  
4 - 40N MIN LATCH RETENTION FORCE AT FIRST EXTRACTION  
5 - TO DETERMINE DIMENSIONS: N = NUMBER OF POSITIONS PER ROW EXAMPLE: 8 POS N x 2.54 = 20.32mm  
6 - NO CENTRAL SLOT ON POSITIONS 6 & 8  
7 - NO LEFT POLARIZATION ON POSITIONS 06, 08, 10, 14.  
8 - NO GROOVE ON POSITIONS 06, 08, 10, 14, 30, 34  
9 - 4.5mm SOLDER TAIL ORDER 71922-4XX (WITH STANDARD LATCH ONLY) ORDER 71922-5XX (WITH LOW PROFILE LATCH ONLY)  
10 - RoHS COMPATIBLE PRODUCT SPECIFICATIONS

- a - PLATING:
- "LF" MEANS THE PRODUCT IS LEAD-FREE, 2µm MINIMUM MATTE TIN OVER 1.27µm MINIMUM NICKEL UNDERPLATE.
- b - MANUFACTURING PROCESS COMPATIBILITY
- THE HOUSING WILL WITHSTAND EXPOSURE TO 260°C ±5°C SOLDER BATH TEMPERATURE FOR 5 SECONDS IN A WAVE SOLDER APPLICATION WITH A 1.6mm MIN THICK CIRCUIT BOARD.
- c - LABELING:
- MEETS PACKAGING SPECS AS PER GS-14-920
- d - LEGAL STATEMENT: SEE GS-47-0004.

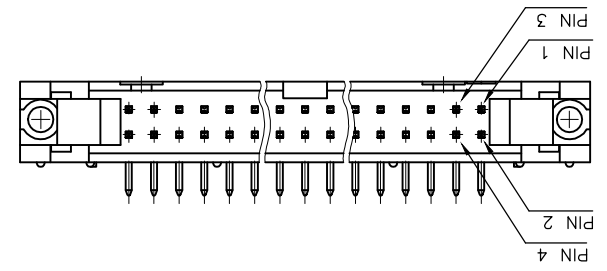
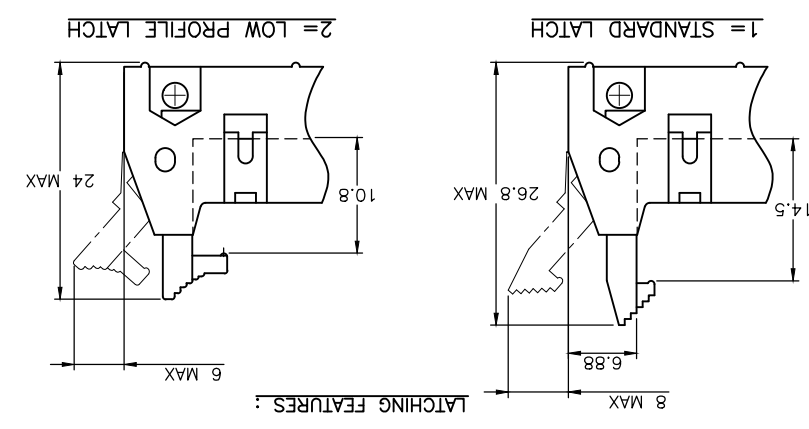


mat'l. code		SEE NOTES		ISO 1302		tolerance		ISO 406 ISO 1101		projection		product family	
AB	B-20349	BVE	15.03.02	chf	JFN	01.01.24	JMC	01.01.24	appd	JMC	01.01.24	type	CUSTOMER Drawing
AA	B-19092	LMU	14.10.16	engr	JMC	01.01.24	JMC	01.01.24	dr	DLE	01.01.24	dwg no	71922
Y	B-18236	LMU	14.07.08	dr	JMC	01.01.24	JMC	01.01.24	dr	DLE	01.01.24	sheet 1 of 2 size	A3
X	B-18018	JCO	14.06.19	dr	JMC	01.01.24	JMC	01.01.24	dr	DLE	01.01.24	RA DR TMT	
W	B-16776	LMU	14.01.23	angles	JMC	01.01.24	JMC	01.01.24	dr	DLE	01.01.24	SHR.EL.HEADER	
V	F10-0054	LMU	10.05.19	linea	JMC	01.01.24	JMC	01.01.24	dr	DLE	01.01.24	QUICKIE	
SURFACE TOLERANCES UNLESS OTHERWISE SPECIFIED		TOLERANCES UNLESS OTHERWISE SPECIFIED		TOLERANCES UNLESS OTHERWISE SPECIFIED		TOLERANCES UNLESS OTHERWISE SPECIFIED		TOLERANCES UNLESS OTHERWISE SPECIFIED		TOLERANCES UNLESS OTHERWISE SPECIFIED		QUICKIE	

index	sheet	revision	AB	T
1	2			

PRODUCT NUMBER	SIZE	LATCHING AVAILABILITY	MISSING PIN POSITIONS
71922-X06(B)LF	2x3	0/1/2	
71922-X08(B)LF	2x4	0/1/2	
71922-X10(B)LF	2x5	0/1/2	
71922-X14(B)LF	2x7	0/1/2	
71922-X16(B)LF	2x8	0/1/2	
71922-X18(B)LF	2x9	0/1/2	
71922-X20(B)LF	2x10	0/1/2	
71922-X26(B)LF	2x13	0/1/2	
71922-X28(B)LF	2x13	0/1/2	PIN 5 TO 12
71922-X30(B)LF	2x15	0/1/2	
71922-X34(B)LF	2x17	0/1/2	
71922-X35(B)LF	2x17	0/1/2	PIN 2 & 3
71922-X39(B)LF	2x20	0/1/2	PIN 20
71922-X40(B)LF	2x20	0/1/2	
71922-X44(B)LF	2x22	0/1/2	
71922-X50(B)LF	2x25	0/1/2	
71922-X60(B)LF	2x30	0/1/2	
71922-X64(B)LF	2x32	0/1/2	

PLATING :  
 - 0.76µm GOLD/GX1  
 (PANI WITH GOLD FLASH) ON CONTACT AREA  
 2µm MIN MATTE TIN ON TAIL  
 UNDERPLATE : 1.27µm NI MIN



mat'l. code	ISO 1302	surface tolerance	ISO 406 ISO 1101	projection	product family	QUICKIE
ltr ecn no	dr	date	tolerances unless otherwise specified	projection	title	SHR.EL.HEADER
M F06-0229	LMU	06.07.17		mm	RA DR TMT	71922
N F07-0195	LMU	07.05.25	angles	linear	RA DR TMT	71922
P F08-0146	YOV	08.04.11		scale 2:1	RA DR TMT	71922
R B-16776	LMU	14.01.23	dr	D.LE	01.01.24	01.01.24
S B-19092	LMU	14.10.16	engr	J.M.C	01.01.24	01.01.24
T B-20349	BVE	15.03.02	chr	J.F.N	01.01.24	01.01.24
appd	J.M.C					
sheet	revision					
index	sheet					

## X-ON Electronics

Largest Supplier of Electrical and Electronic Components

*Click to view similar products for [Headers & Wire Housings](#) category:*

*Click to view products by [Amphenol](#) manufacturer:*

Other Similar products are found below :

[95000-104TRLF](#) [10135584-644402LF](#) [DF62W-EP2022PCA](#) [95000-106TRLF](#) [DF62W-2022SCA](#) [DF62W-EP2022PC](#) [2203348](#) [DF62W-2022SC](#) [1084018](#) [1029039](#) [1084017](#) [802-10-012-10-002000](#) [1112640](#) [1112639](#) [891-007-9SS-BST1T](#) [000-34000](#) [0008550134](#) [0009482033](#) [0009507031](#) [57102-F02-18ULF](#) [57102-S06-03LF](#) [57202-S52-04LF](#) [PCN6-15S-2.5E](#) [0039019024](#) [58102-G61-06LF](#) [582553-1](#) [0009485154](#) [0009508121](#) [009176003701906](#) [0022285053](#) [0050291907](#) [018731A](#) [LY20-4P-DT1-P1E-BR](#) [02.125.8002.8](#) [60101931](#) [60598-1 \(Cut Strip\)](#) [M1625-3R/100](#) [61062-3](#) [61082-181009](#) [CSU011177004](#) [636-1427](#) [638009-1](#) [641938-9](#) [641991-4](#) [644168-1](#) [644827-2](#) [647662-1](#) [65039-019ELF](#) [65692-001LF](#) [65781-018](#)