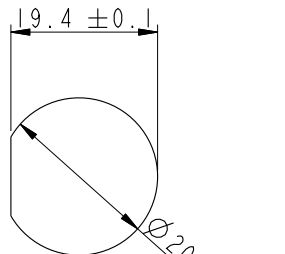
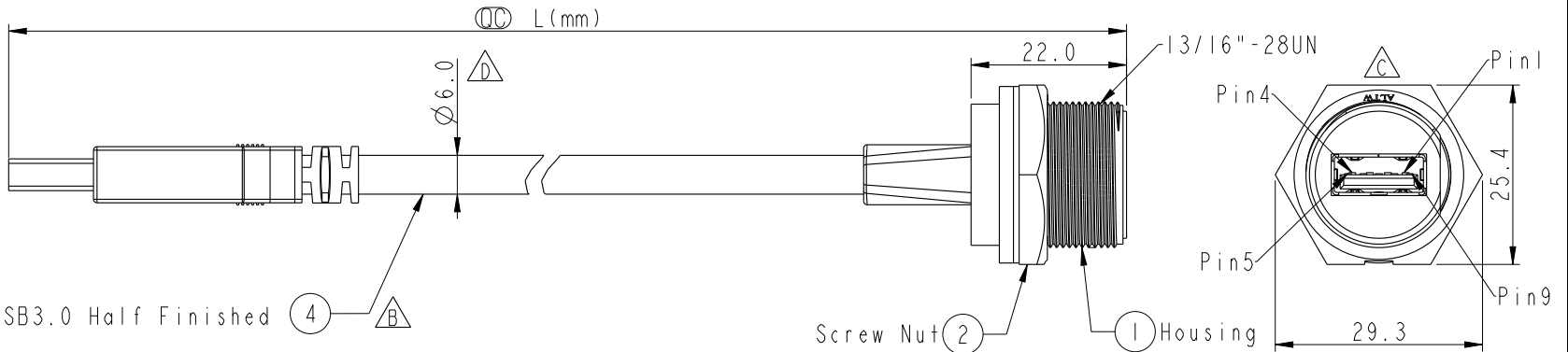
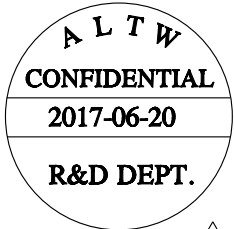
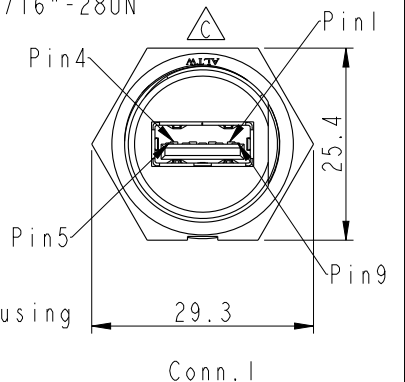
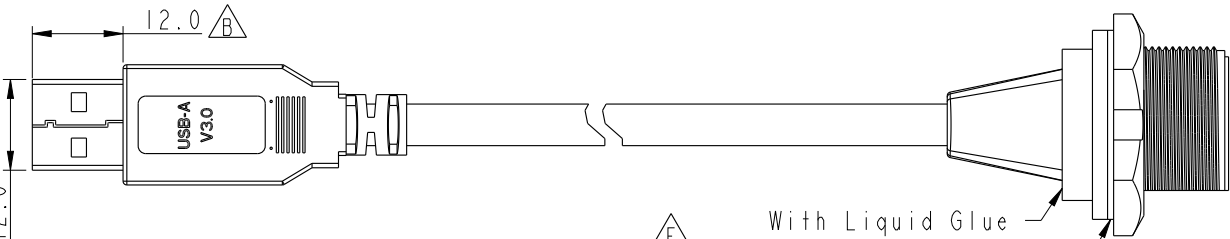


THIS DOCUMENT IS SUBJECT TO CHANGE WITHOUT NOTICE. IT IS CONFIDENTIAL AND A PROPERTY OF Amphenol LTW. DISCLOSURE TO THIRD PARTY HAS TO BE AUTHORIZED BY Amphenol LTW.

REV.	ECN NO.	DATE	SIGN	DESCRIPTION
C	LEN1570126~8	2015/06/24	Jason.Yu	Add Conn.2 Pin Out & LOGO
D	LEN1670201~203	2016/07/13	Jinhai	Change Supplier
E	LEN1760405-407	2017-07-07	Ouyang	Update Pin Out



USB3.0 Half Finished



Waterproof Rate: IP67

UA-30PMF-SD7BXX

XX	: 150~300mm
15	: 150mm
20	: 200mm
30	: 300mm

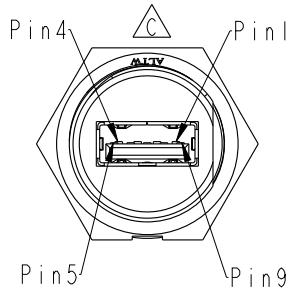
Cable Length(L): 150~300mm

Shield	Braid	編織	Shield	Shield	
9	Orange	28AWG 橙	SDP2+	9	Twist
8	Purple	28AWG 紫	SDP2-	8	
7	Drain	28AWG	SDP2_Drain	7	Twist
6	Yellow	28AWG 黃	SDP1+	6	
5	Blue	28AWG 藍	SDP1-	5	Twist
7	Drain	28AWG	SDP1_Drain	7	
4	Black	28AWG 黑	GND_PWRrt	4	Twist
3	Green	28AWG 綠	UTP_D+	3	
2	White	28AWG 白	UTP_D-	2	Twist
1	Red	28AWG 紅	PWR	1	
Jack	Wire Color		Signal Name	Plug	

With Liquid Glue

Gasket

- Note:
- * Ⓞ Important Dimension.
 - * Housing: ABS, Black
 - * Screw Nut: Nylon+GF, Black
 - * Gasket: Silicone, Gray
 - * Jack: USB3.0-A Female Solder
 - * Cable: UL2725 (IP*28#+DMA)*2C+IP*28#+2C*28#+ADB, PVC, UV Resistant, OD=6.0mm, Black
 - * Cable Length Tolerance: 150~300mm: ±15mm
 - * Use with waterproof cap or dust cap
Panel Thickness max: 2.8mm
 - * Use without waterproof cap or dust cap
Panel Thickness max: 4.0mm
 - * All of Drain twisted together.



Pin Assignments Front View

UNIT:mm

TOLERANCE ±0.5

TITLE USB3.0 Male A Type			
SCALE 1:1	SIZE A4	SHEET 1 OF 1	
REV. E	WC-REV. B.5	Ⓞ : Inspection item	

Amphenol LTW
安費諾亮泰企業股份有限公司

ITEM NO	DRAWN BY	DATE
DWG NO UA-30PMF-SD7BXX	Ouyang	2017-07-07
CUSTOMER ALTW	CHECKED BY Feng-Li	DATE 2017-07-07
	APPROVED BY Jerry	DATE 2017-07-07

X-ON Electronics

Largest Supplier of Electrical and Electronic Components

Click to view similar products for [USB Cables / IEEE 1394 Cables category](#):

Click to view products by [Amphenol manufacturer](#):

Other Similar products are found below :

[68768-0173](#) [FNY-W6003-01](#) [88764-0800](#) [148700-1](#) [17-200621](#) [17-250051P](#) [954](#) [AC102012-2](#) [IP-USB1\(C10\)S-RW](#) [CABLE/RTP/USB/DT](#)
[RS232-GTD](#) [USBFTVX2SA2N03A](#) [USBFTV2SA2N03A](#) [1689404-1](#) [FTP-629Y401](#) [FTP-628Y402](#) [943301-001](#) [FNY-W6022](#) [FNY-W6003-](#)
[03](#) [1310-1015-05](#) [1310-1018-04](#) [1310-1019-04](#) [UA-30AMFM-SL7B02](#) [UA-30AMFM-SL7B01](#) [UA-30AFM-LD7B03](#) [UA-30AMFM-](#)
[SL7B03](#) [USBAPSCC7202A](#) [UES-1001A160](#) [UES-1003A160](#) [USBFTVX7SA2N20A](#) [USBFTVX2SA2N20A](#) [USBFTV2PEMSA2N10A](#)
[FTP-629Y602](#) [USBCAMCM100](#) [USB A/F*2 to 2.54 2*5P-SH L=400mm](#) [EP-CBUSB10P2FLT](#) [1310-1037-04](#) [ASR-USB](#) [68784-0075](#) [17-](#)
[241361](#) [17-230471](#) [217B-BC02](#) [USB-29](#) [19800-010500-200-RS](#) [USB+MINI DIN 6P WITH BKT](#) [84729-0025](#) [088738-8100](#) [106413-4410](#)
[106413-4405](#) [CP30206NM3B](#)