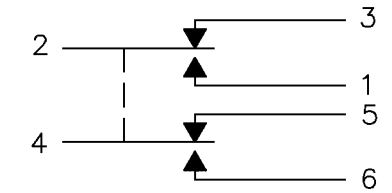


MICRO SWITCH
a Honeywell Division

FED. MFG. CODE 91929

SWITCH-ENCLOSED

CATALOG LISTING
602HE5-RB1



CIRCUIT DIAGRAM

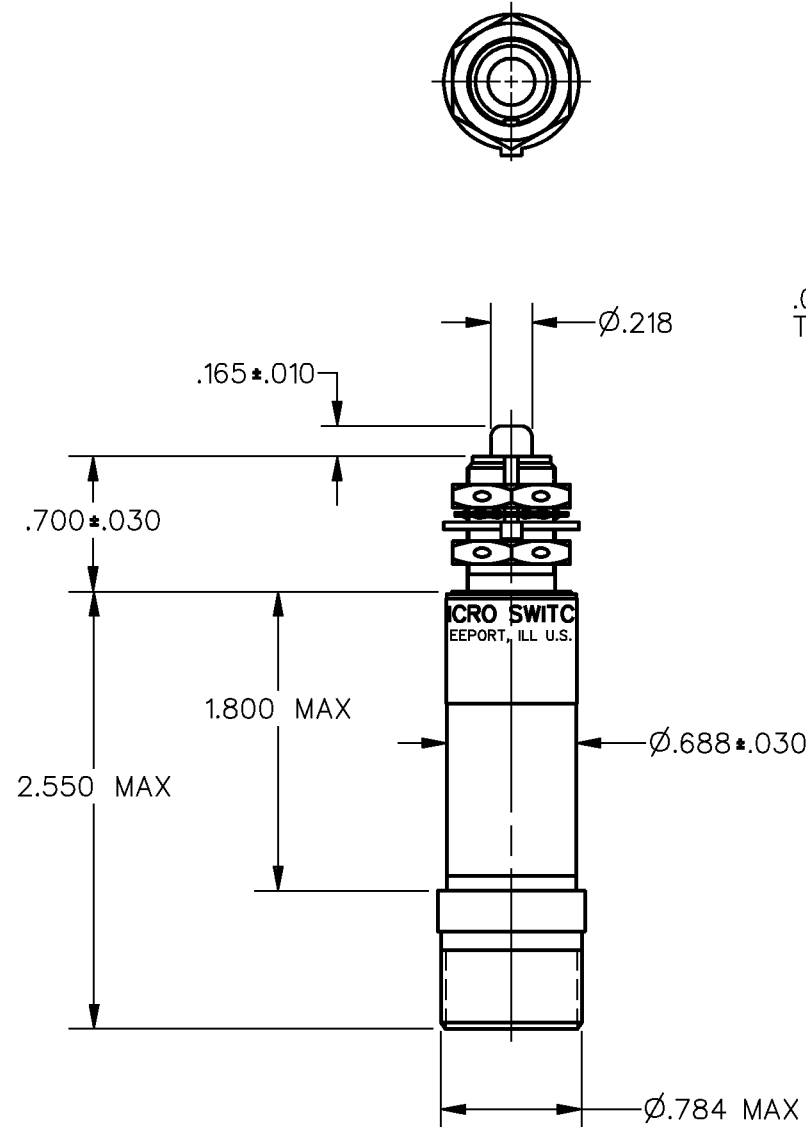
CATALOG LISTING
602HE5-RB1
PAGE 1 OF 1

REPLACES
RELEASE NO. PR-21990

ISSUE
2

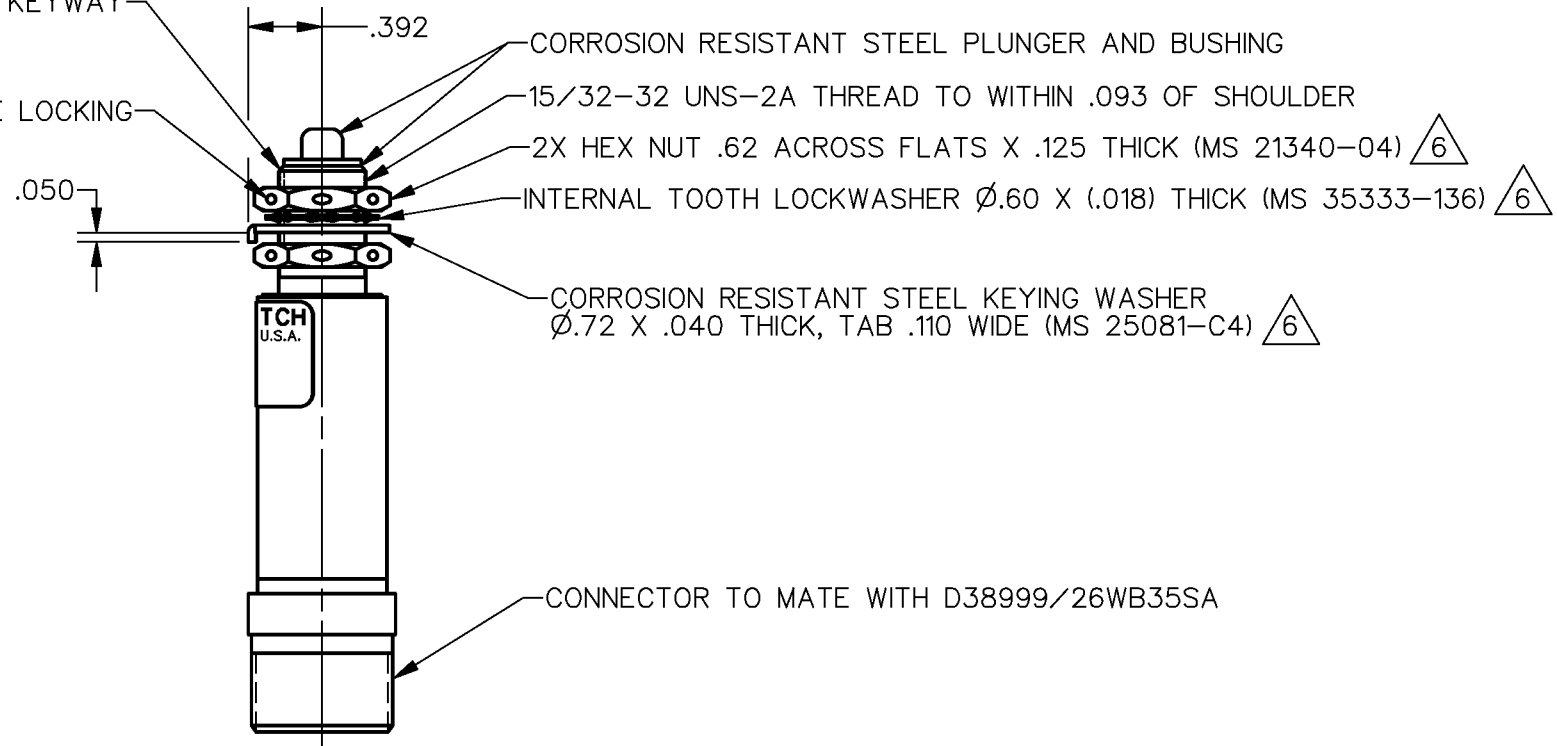
REVISIONS	CHECK
A PR-21990	
K D R 6 FEB 96	

DDM/CAD
DRAWN
K D R 6 FEB 96



.072 ± .004 WIDE X ∇ .031 ± .003 KEYWAY
TO WITHIN .250 OF SHOULDER

Ø.047 HOLE FOR WIRE LOCKING

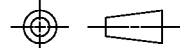


NOTES

- 1 - CORROSION RESISTANT STEEL ENCLOSURE
- 2 - SWITCH SEALED PER MIL-S-8805 SYMBOL 5 (1×10^{-8} ATM CM³/S)
- 3 - COINCIDENCE OF OPERATING AND RELEASING POINTS:
.010 INCH OF PLUNGER TRAVEL
- 4 - CIRCUIT DIAGRAM AND CATALOG LISTING ARE SHOWN ON NAMEPLATE
- 5 - FOR OPERATION IN TEMPERATURE RANGE OF -65° F (-55° C) TO +257° F (+125° C)
- 6 - HARDWARE MAY BE PACKAGED UNASSEMBLED PER MIL-S-8805
- 7 - WEIGHT OF MOUNTING HARDWARE NOT INCLUDED. MOUNTING HARDWARE WEIGHT EQUALS .3 OZ MAX
- 8 - MECHANICAL LIFE - 50,000 OPERATIONS REFERENCE
ELECTRICAL LIFE - 25,000 OPERATIONS REFERENCE
- 9 - DIELECTRIC STRENGTH: OPEN CIRCUIT TERMINALS - 800 VRMS
TERMINAL TO CASE - 1000 VRMS

THIS DRAWING COVERS A PROPRIETARY ITEM AND IS THE PROPERTY OF MICRO SWITCH, A DIVISION OF HONEYWELL. THIS DRAWING IS NOT TO BE COPIED OR USED WITHOUT THE APPROVAL OF MICRO SWITCH

THIRD ANGLE PROJECTION



CHARACTERISTICS	ELECTRICAL DATA
OPERATING FORCE ——— 10 LB MAX	CONTACT ARRANGEMENT 2X SPDT
RELEASE FORCE ——— 1 LB MIN	
PRETRAVEL ——— .020-.030	LOAD 28 VDC
DIFFERENTIAL TRAVEL — .020 MAX	SEA LEVEL 70,000 FT
OVERTRAVEL ——— .125 MIN	RES 4 4
FULL OVERTRAVEL FORCE — 30 LB MAX	IND 1 1
	LAMP 2 2

SCALE	DO NOT SCALE PRINT
FULL	
UNLESS OTHERWISE SPECIFIED TOLERANCES ARE	
ONE PLACE (.0) ± .030	
TWO PLACE (.00) ± .015	
THREE PLACE (.000) ± .005	
ANGLES ±	
WEIGHT 3.0 OZ MAX 7	

ANSI Y14.5M-1982 APPLIES

X-ON Electronics

Largest Supplier of Electrical and Electronic Components

Click to view similar products for [Basic / Snap Action Switches](#) category:

Click to view products by [Honeywell](#) manufacturer:

Other Similar products are found below :

[83228001](#) [01.098.1358.1](#) [602EN1-6B](#) [602EN532](#) [602EN535-RB](#) [602HE5-RB1](#) [604HE162](#) [604HE223-6B](#) [624HE17-RB](#) [6HM89](#) [6PA78-JM](#)
[6SE1](#) [6SX1-H58](#) [70500840](#) [MBD5B1](#) [MBH2731](#) [73-316-0012](#) [79211759](#) [79211923](#) [79218589](#) [7AS12](#) [ML-1155](#) [ML-1376](#) [831010C3.0](#)
[831060C3.TL](#) [831090C2.EL](#) [83131904](#) [84212012](#) [8AS239](#) [8HM73-3](#) [903VB1-PG](#) [914CE1-6G](#) [PL-100](#) [11SM1077-H4](#) [11SM1077-H58](#)
[11SM1-TN107](#) [11SM405](#) [11SM703-T](#) [11SM8423-H2](#) [11SX37-T](#) [11SX48-H58](#) [11SX55-H58](#) [11SM2442-T](#) [11SM76-T](#) [11SM77-H58](#)
[11SM77-T](#) [11SM863-T](#) [11SM866](#) [11SX47-H58](#) [A7CN-1M-1-LEFT](#)