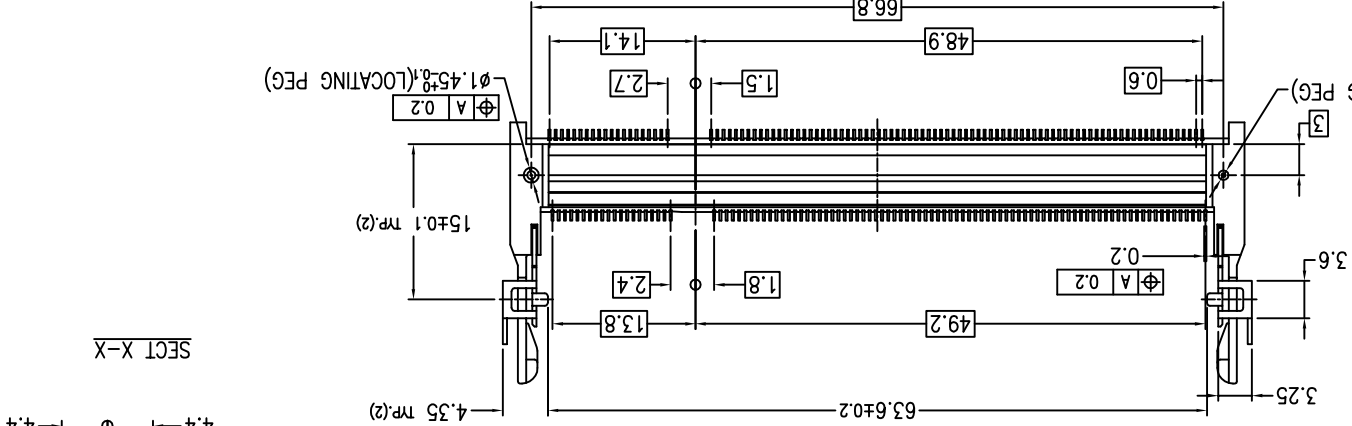
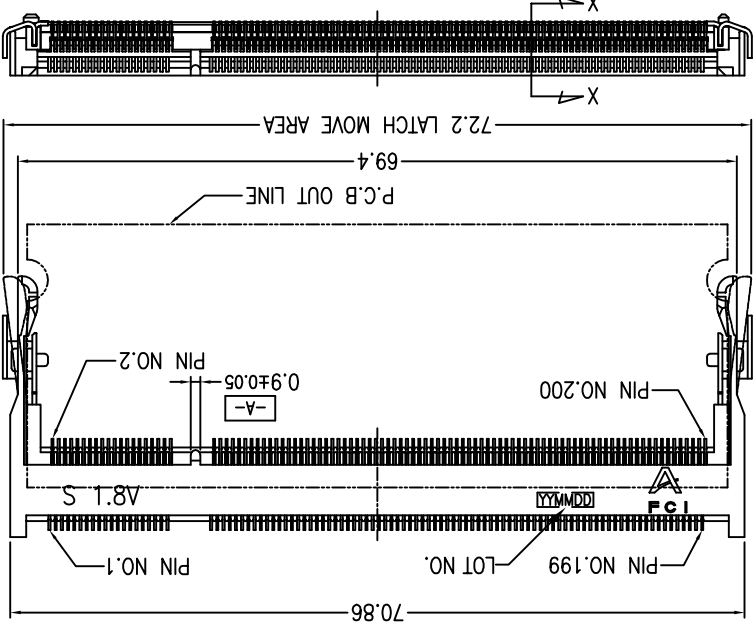
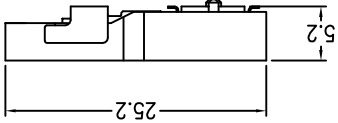


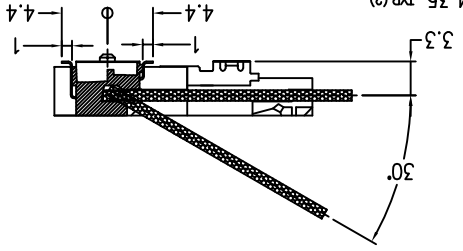


PRODUCT NO.
10033853-*52**

- NOTE
1. PRODUCT SPEC. : GS-12-195
 2. PACKAGING SPEC. : GS-14-786
 3. MATERIAL
 - 1) HOUSING : LCP, UL94V-0, COLOR BLACK
 - 2) CONTACT : COPPER ALLOY
 - 3) HOLD DOWN : BRASS
 4. FINISH
 - 1) TERMINAL : SEE TABLE
 - 2) HOLD DOWN : SEE TABLE
 5. CO-PLANARITY : 0.1 MAX.(INCLUDE HOLD DOWN)
 6. THIS PRODUCT MEETS EUROPEAN UNION DIRECTIVES AND OTHER COUNTRY REGULATIONS AS DESCRIBED IN GS-22-008.
 7. THE HOUSING WILL WITHSTAND EXPOSURE TO 260° PEAK TEMPERATURE FOR 10 SECONDS IN A REFLOW SOLDER APPLICATION.



SECT X-X



- 1) PRODUCT SPEC. : GS-12-195
- 2) CONTACT : COPPER ALLOY
- 3) HOLD DOWN : BRASS
4. FINISH
- 1) TERMINAL : SEE TABLE
- 2) HOLD DOWN : SEE TABLE
5. CO-PLANARITY : 0.1 MAX.(INCLUDE HOLD DOWN)
6. THIS PRODUCT MEETS EUROPEAN UNION DIRECTIVES AND OTHER COUNTRY REGULATIONS AS DESCRIBED IN GS-22-008.
7. THE HOUSING WILL WITHSTAND EXPOSURE TO 260° PEAK TEMPERATURE FOR 10 SECONDS IN A REFLOW SOLDER APPLICATION.

mat'l. code		tolerances unless otherwise specified		CUSTOMER COPY		FCI	
lt	ecn no	dr	date	.X ± 0.20	projection	title	www.fciconnect.com
2	M H	M H	8/28/'03	linear	0.XX ± 0.10	DDR II 0.6 mm PITCH 200 POS. STANDARD TYPE ASSY	
3	M H	M H	4/2/'04	angles	0° ± 5'		
4	M H	M H	6/29/'04	angles	0° ± 5'		
A	04-0401	M H	9/28/'04	dr	M Hasegawa	product family 50UF SO-DIMM	code JP
B	05-0022	R C	11/9/'04	engr	M Hasegawa	size dwg no	10033853
C	05-0229	R C	10/12/'08	chr		scale	2:1
D	0608-0333	B L	12/1/'08	appd			
sheet	revision	sheet	index				

ACAD

PDM: Rev:D

STATUS: Released

Printed: May 25, 2011

1 | 2

3

4

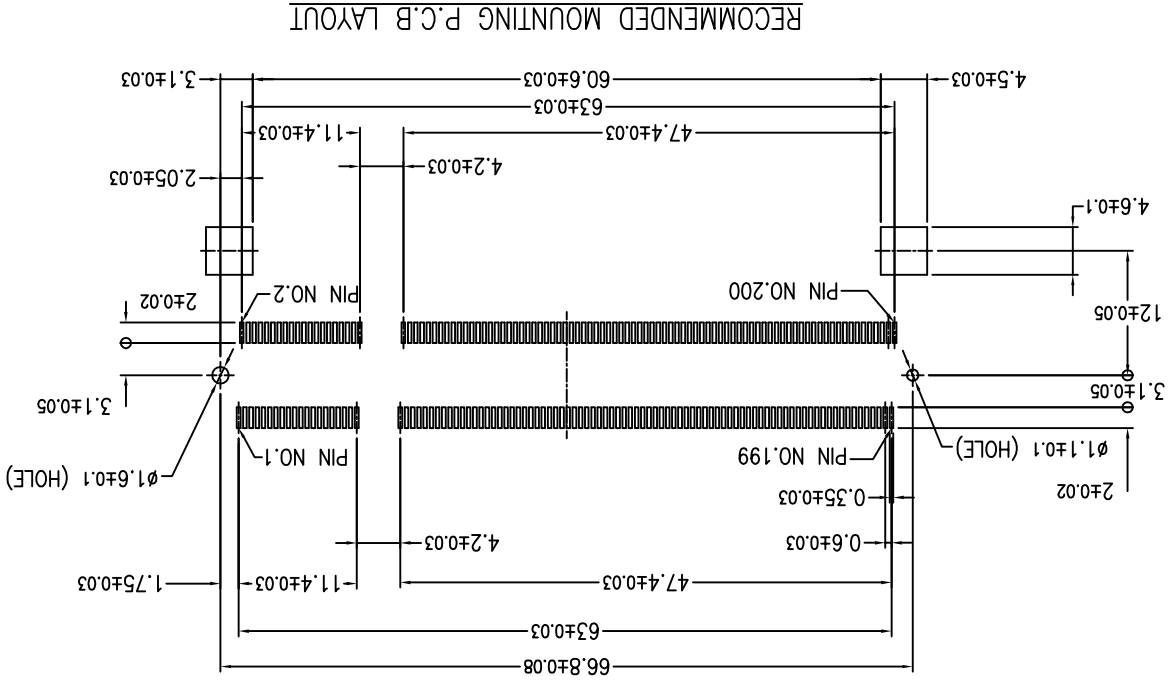
1 | 2

3

4



PRODUCT NO.
10033853-52**



mat'l. code		tolerances unless otherwise specified		CUSTOMER COPY		FCI		www.fciconnect.com	
ltr	ecn no	dr	date	linear	angles	dr	engr	chr	appd
				.X ± 0.20	.XX ± 0.10	M.Hasegawa	M.Hasegawa		
					0° ± 5'	6/29/04	6/29/04		
						MM	scale		
						projection	2:1		
						title	product family	size	code
						DDR II 0.6 mm PITCH 200 POS. STANDARD TYPE ASS'Y	50UF SO-DIMM	dwg no	JP
							10033853	sheet	2 of
							B		

RECOMMENDED MOUNTING P.C.B LAYOUT

1 | 2

3

4

ACAD

PDM: Rev:D

STATUS: Released

Printed: May 25, 2011

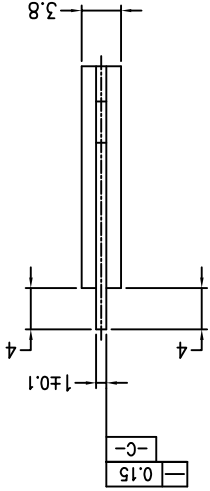
1 | 2

3

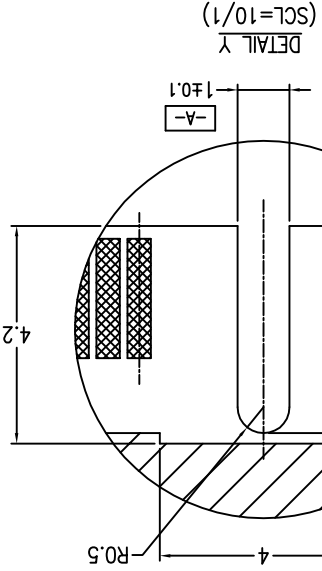
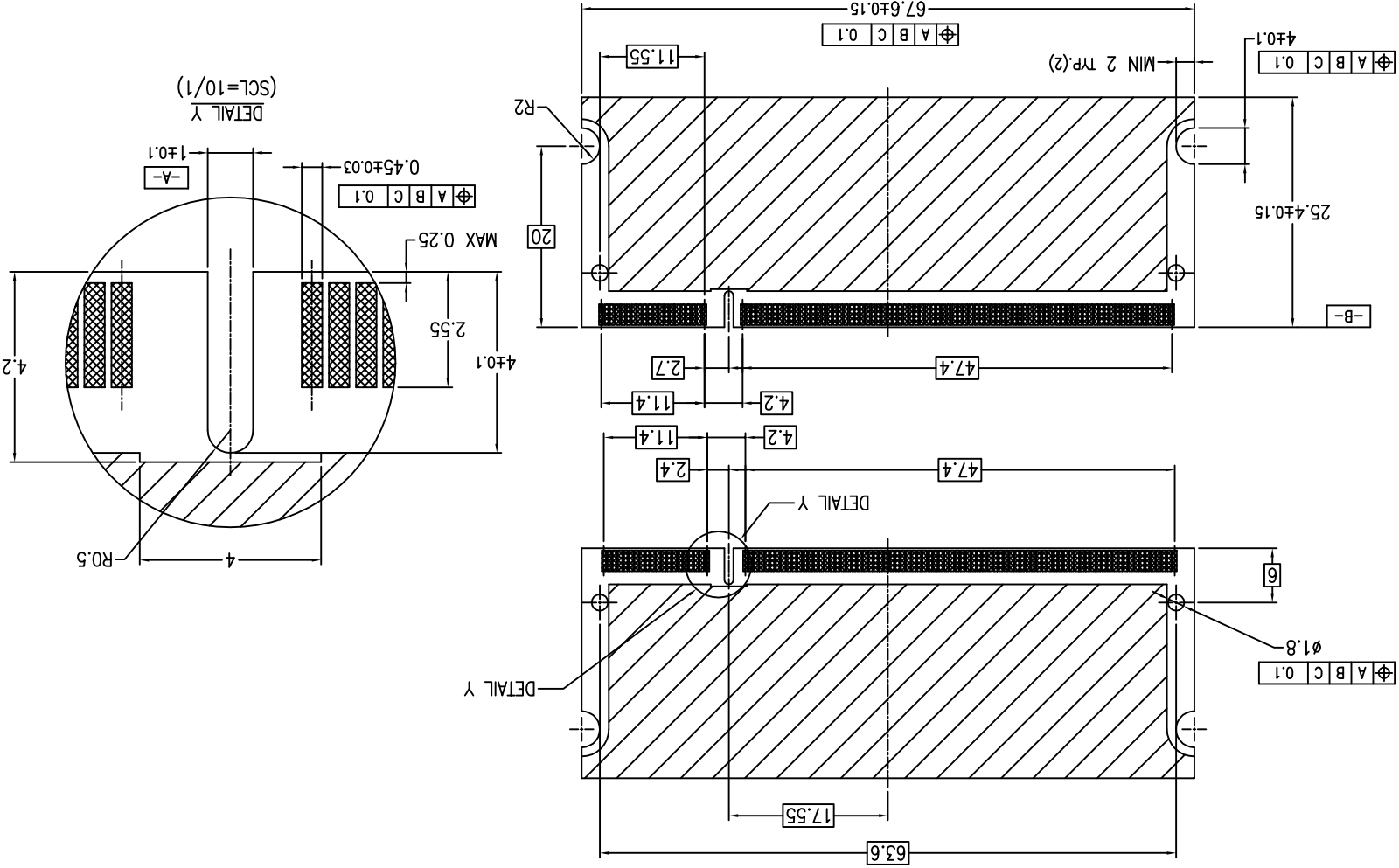
4



PRODUCT NO.
10033853-52**



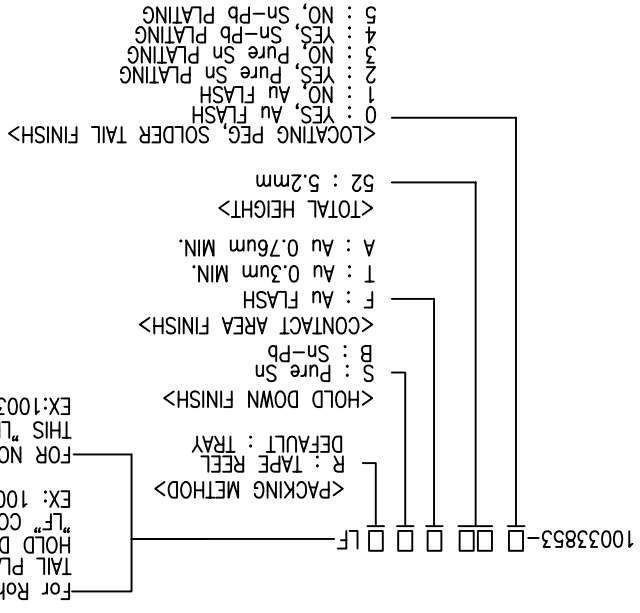
RECOMMENDED MODULE P.C.B. LAYOUT



mat'l. code		tolerances unless otherwise specified		CUSTOMER COPY		www.fciconnect.com	
ltr	ecn no	dr	date	linear	angles	dr	engr
.X ± 0.20		.XX ± 0.10		0° ± 5°		M.Hasegawa	M.Hasegawa
						6/29/04	6/29/04
						chr	appd
						scale	2:1
						product family	50UF SO-DIMM
						size	dwg no
						code	JP
						sheet	3 of
						sheet	10033853
						index	
						revision	



PRODUCT NO.	LOCATING PEG	TERMINAL CONTACT	HOLD DOWN	AREA FINISH	FINISH	SOLDER TAIL
10033853-052SFL	YES	10033853-052SFL	NO	Au FLASH	10033853-052SFL	
10033853-152SFL	NO	10033853-152SFL	NO	Au FLASH	10033853-152SFL	
10033853-052TSLF	YES	10033853-052TSLF	NO	Au 0.3um MIN.	10033853-052TSLF	
10033853-152TSLF	NO	10033853-152TSLF	NO	Au 0.76um MIN.	10033853-152TSLF	
10033853-352SFL	NO	10033853-352SFL	NO	Au FLASH	10033853-352SFL	
10033853-252TSLF	YES	10033853-252TSLF	NO	Au FLASH	10033853-252TSLF	
10033853-352TSLF	NO	10033853-352TSLF	NO	Au 0.3um MIN.	10033853-352TSLF	
10033853-252TSLF	YES	10033853-252TSLF	NO	Au FLASH	10033853-252TSLF	
10033853-352TSLF	NO	10033853-352TSLF	NO	Au 0.76um MIN.	10033853-352TSLF	
10033853-252AB	YES	10033853-252AB	NO	Au 0.3um MIN.	10033853-252AB	
10033853-352AB	NO	10033853-352AB	NO	Au 0.76um MIN.	10033853-352AB	
10033853-452AB	YES	10033853-452AB	NO	Au FLASH	10033853-452AB	
10033853-552AB	NO	10033853-552AB	NO	Au 0.3um MIN.	10033853-552AB	
10033853-452TB	YES	10033853-452TB	NO	Au FLASH	10033853-452TB	
10033853-552TB	NO	10033853-552TB	NO	Au 0.3um MIN.	10033853-552TB	
10033853-452TB	YES	10033853-452TB	NO	Au 0.76um MIN.	10033853-452TB	
10033853-552TB	NO	10033853-552TB	NO	Au FLASH	10033853-552TB	
10033853-452AB	YES	10033853-452AB	NO	PURE Sn	10033853-452AB	
10033853-552AB	NO	10033853-552AB	NO	PURE Sn	10033853-552AB	
10033853-452TB	YES	10033853-452TB	NO	PURE Sn	10033853-452TB	
10033853-552TB	NO	10033853-552TB	NO	PURE Sn	10033853-552TB	
10033853-452TB	YES	10033853-452TB	NO	Sn-Pb	10033853-452TB	
10033853-552TB	NO	10033853-552TB	NO	Sn-Pb	10033853-552TB	



For Rohs OPTIONS:
 TAIL PLATING CODE MUST BE 0~3.
 HOLD DOWN PLATING CODE MUST BE "S".
 "LF" CODE IS EXIST IN THE END.
 EX: 10033853-252TSLF
 FOR NOT Rohs COMPATIBLE:
 R : TAPE REEL
 DEFAULT : TRAY
 <PACKING METHOD>
 S : Pure Sn
 B : Sn-Pb
 <CONTACT AREA FINISH>
 F : Au FLASH
 T : Au 0.3um MIN.
 A : Au 0.76um MIN.
 <TOTAL HEIGHT>
 52 : 5.2mm
 <LOCATING PEG, SOLDER TAIL FINISH>
 0 : YES, Au FLASH
 1 : NO, Au FLASH
 2 : YES, Pure Sn PLATING
 3 : NO, Pure Sn PLATING
 4 : YES, Sn-Pb PLATING
 5 : NO, Sn-Pb PLATING

mat'l. code		tolerances unless otherwise specified		CUSTOMER COPY		www.fciconnect.com	
ltr	ecn no	dr	date	linear	angles	dr	engr
				.X ± 0.20	.XX ± 0.10	MHasegawa	6/29/04
						chr	appd
						scale	2:1
						product family	50UF SO-DIMM
						size	dwg no
						code	JP
						sheet	4 of
						revision	
						sheet	
						index	

FCI logo
 title: DDR II 0.6 mm PITCH 200 POS. STANDARD TYPE ASSY
 projection: 2D
 scale: 2:1
 product family: 50UF SO-DIMM
 size: dwg no
 code: JP
 sheet: 4 of

X-ON Electronics

Largest Supplier of Electrical and Electronic Components

Click to view similar products for [DIMM Connectors](#) category:

Click to view products by [Amphenol](#) manufacturer:

Other Similar products are found below :

[1-1932649-2](#) [1-1761024-0](#) [2309411-5](#) [1932180-2](#) [0783590111](#) [0783590001](#) [0877051053](#) [10079248-11103LF](#) [10086891-052TSLF](#)
[10116658-252ASLF](#) [59355-052FSLF](#) [5390471-1](#) [10074146-13211LF](#) [10079248-10202LF](#) [2309407-3](#) [10033853-052ASLF](#) [87782-6003](#) [KIT-](#)
[SODIMM-1X16GB/01](#) [0780350001](#) [0878030012](#) [75.963AT.G020C](#) [78.B1GDE.AF1](#) [10078239-11103LF](#) [6-390322-1](#) [2013311-1](#) [2309410-1](#)
[10116658-052FSLF](#) [10116658-152FSLF](#) [1-1735438-3](#) [78730-1002](#) [78726-1002](#) [2013310-1](#) [390111-1](#) [1735438-3](#) [78373-0011](#) [2308107-1](#) [2-](#)
[2308107-1](#) [2309411-1](#) [5-1746530-4](#) [2309408-1](#) [2309409-1](#) [2309412-1](#) [151134-0001](#) [2309413-1](#) [296406200001856+](#) [2309407-1](#) [FCN-](#)
[074J240-G/1D](#) [FCN-074B288-G/2D](#) [2309414-1](#) [10081530-12208LF](#)