

92mm sq.

San Ace 92

25mm thick (9GA type), 25mm thick (9S type)
 25mm thick (9P type), 25mm thick (San Cooler) (9A type)
 32mm thick (9G type), 38mm thick (9GA type)
 38mm thick (9HV type), 38mm thick (9GV type)
 38mm thick (9G type)



General Specifications

- Material Frame: Plastics (Flammability: UL94V-0), Impeller: Plastics (Flammability: UL94V-1)
- Expected Life Refer to specifications (L10:Survival rate:90% at 60°C , rated voltage, and continuously run in a free air state)
- Lead Wire ⊕red ⊖black or blue (Sensor) yellow
- Storage Temperature -30°C to +70°C (Non-condensing)

92×92×25mm (Mass : 150g) **9P type**

Specifications

The following nos. **have pulse sensors and ribs**. For ribless, append "1" to the model no.

| Model No. | Rated Voltage [V] | Operating Voltage Range [V] | Rated Current [A] | Rated Input [W] | Rated Speed [min ⁻¹] | Max. Airflow [m ³ /min] [CFM] | Max. Static Pressure [Pa] [inchH ₂ O] | SPL [dB(A)] | Operating Temperature [°C] | Expected Life [h] |
|--------------|-------------------|-----------------------------|-------------------|-----------------|----------------------------------|------------------------------------------|--------------------------------------------------|-------------|----------------------------|-------------------|
| 109P0912J401 | 12 | 6 to 13.8 | 0.56 | 6.72 | 4,300 | 2.03 71.6 | 92.2 0.37 | 47 | -20 to +60 | 40,000 |
| 109P0912W401 | | 6 to 16 | 0.21 | 2.52 | 2,850 | 1.45 51.2 | 45 0.181 | 33 | | |
| 109P0912H401 | | 10.2 to 13.8 | 0.21 | 2.52 | 2,850 | 1.45 51.2 | 45 0.181 | 33 | | |
| 109P0912F401 | | | 0.14 | 1.68 | 2,450 | 1.24 43.8 | 32.3 0.130 | 30 | | |
| 109P0912M401 | | | 0.1 | 1.2 | 2,100 | 1.04 36.7 | 23.5 0.094 | 27 | | |
| 109P0912L401 | | | 0.07 | 0.84 | 1,700 | 0.8 28.3 | 16.6 0.067 | 23 | | |
| 109P0924W401 | 24 | 12 to 30 | 0.12 | 2.88 | 2,850 | 1.45 51.2 | 45 0.181 | 33 | -20 to +70 | |
| 109P0924H401 | | 20.4 to 27.6 | 0.12 | 2.88 | 2,850 | 1.45 51.2 | 45 0.181 | 33 | | |
| 109P0924F401 | | | 0.08 | 1.92 | 2,450 | 1.24 43.8 | 32.3 0.130 | 30 | | |
| 109P0924M401 | | | 0.06 | 1.44 | 2,100 | 1.04 36.7 | 23.5 0.094 | 27 | | |
| 109P0924L401 | | | 0.05 | 1.2 | 1,700 | 0.8 28.3 | 16.6 0.067 | 23 | | |
| 109P0948H401 | | 48 | 43 to 53 | 0.06 | 2.88 | 2,850 | 1.45 51.2 | 45 0.181 | | |

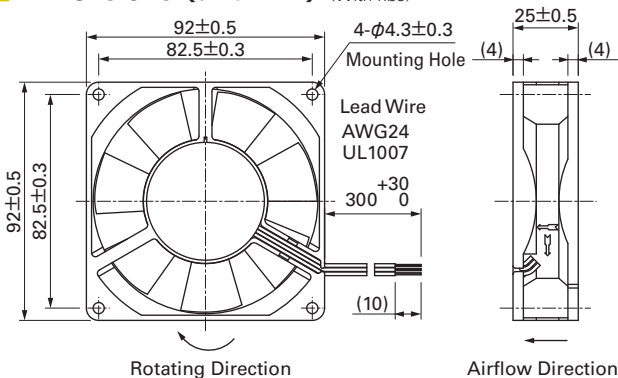
Some models can also be equipped without sensors as an option. Please refer to the index (pp. 417 to 437).

Set Models

- The set models listed below can be ordered as a single order.
- Set configuration items: Fan (without sensor), finger guard, screws (with flat washer and spring washer), hex nuts, operation manual

| Model Number to Order | Fan Model | Sensor Specifications | Finger Guard Model | Mounting Screws |
|-----------------------|------------------------------------------------------|-----------------------|--------------------|---------------------------------|
| 9U-109P0912H402 | 109P0912H402 (performs the same as the 109P0912H401) | Without sensor | 109-099E | M4 screws (40 mm) x 4, Nuts x 4 |
| 9U-109P0924H402 | 109P0924H402 (performs the same as the 109P0924H401) | | | |

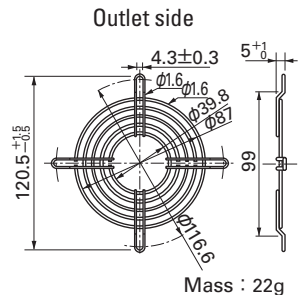
Dimensions (unit : mm) (With ribs)



Options (unit : mm)

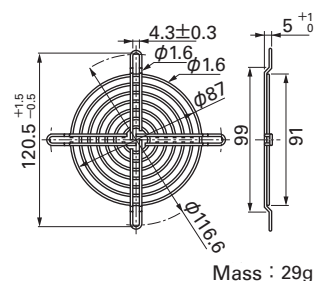
Finger Guards

Model : 109-099C Surface treatment : Nickel-chrome plating (silver) Color

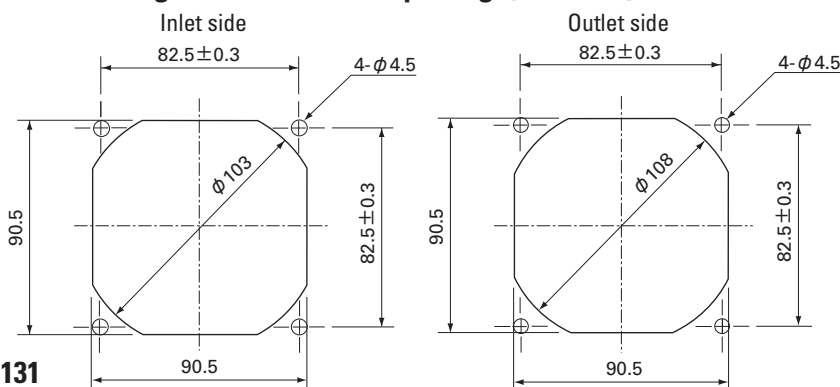


Model : 109-099E Surface treatment : Nickel-chrome plating (silver) Color
 : 109-099H : Cation electropainting (black)

Inlet side, Outlet side



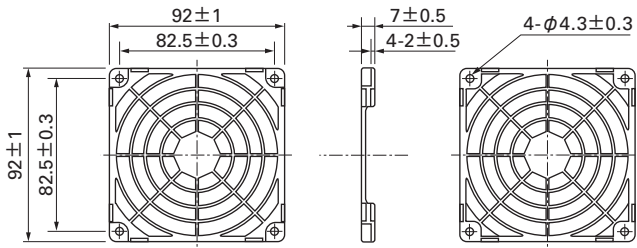
Reference Dimension of Mounting Holes and Vent Opening (unit : mm)



Options (unit : mm)

Resin Finger Guards

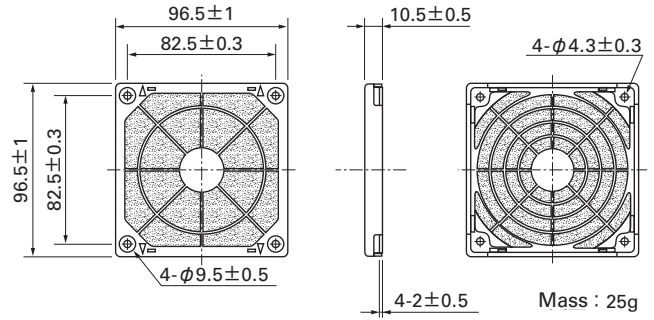
Model : 109-1001G



Mass : 12g

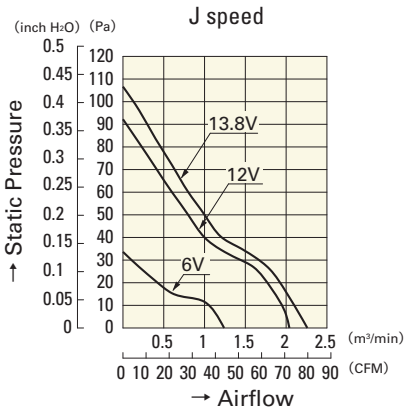
Resin Filter Kits

Model : 109-1001F13 (13PPI), 109-1001F20 (20PPI)
: 109-1001F30 (30PPI), 109-1001F40 (40PPI)

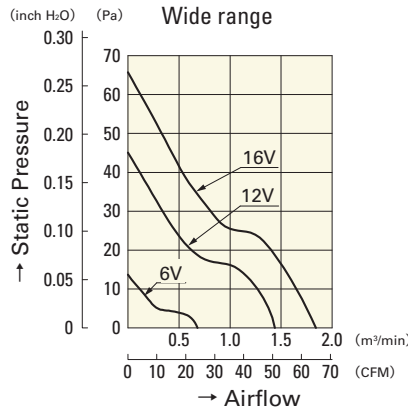


Mass : 25g

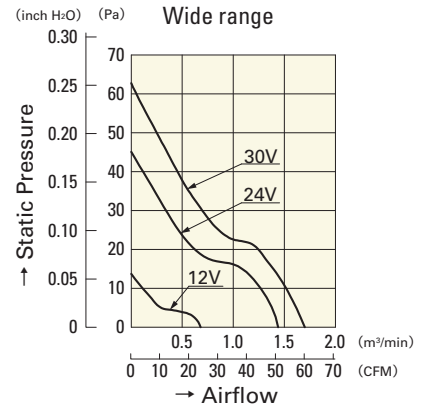
Airflow - Static Pressure Characteristics



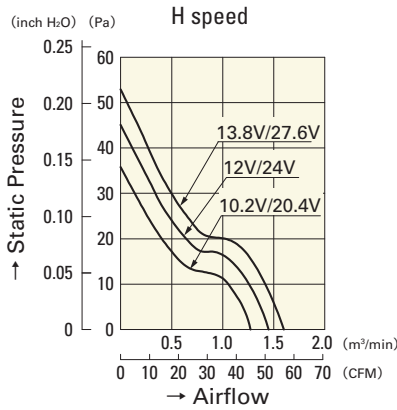
109P0912J401



109P0912W401

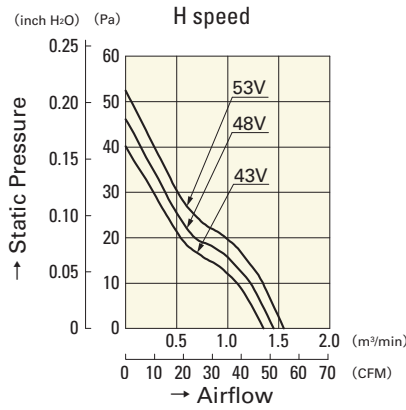


109P0924W401

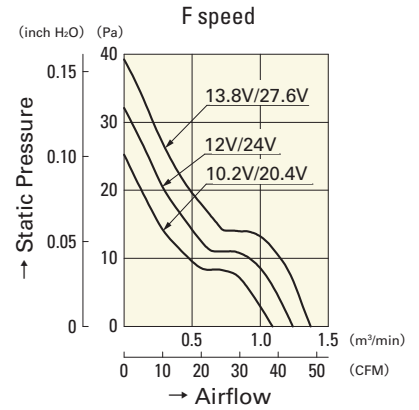


109P0912H401

109P0924H401

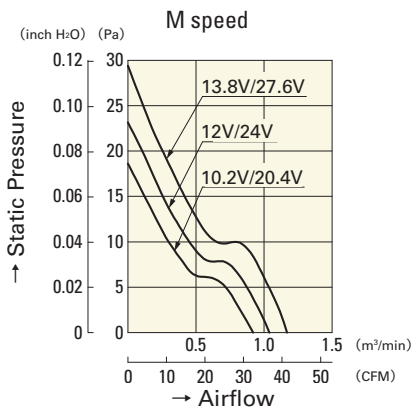


109P0948H401



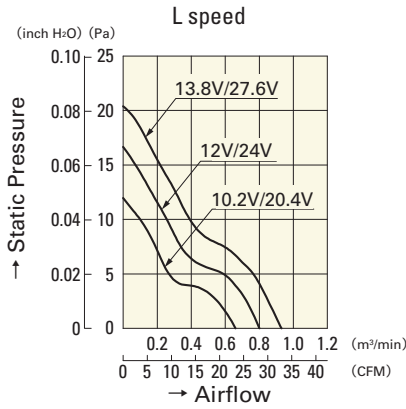
109P0912F401

109P0924F401



109P0912M401

109P0924M401



109P0912L401

109P0924L401

X-ON Electronics

Largest Supplier of Electrical and Electronic Components

Click to view similar products for [DC Fans](#) category:

Click to view products by [Sanyo Denki](#) manufacturer:

Other Similar products are found below :

[614R](#) [6424/2HP-210](#) [8312R](#) [DV4118/2NP-183](#) [AFB0948HH-S687](#) [PFB0824DHE-8B72](#) [G2E085-AA05-10](#) [RD20S-4/210660](#) [4318/12T](#)
[4418HH](#) [AUB0912H-F00](#) [3412N/2ME](#) [K2E225-RA92-09](#) [4184N/2XR](#) [5214N2HH](#) [614J2HHPR-010](#) [8412NGL-12](#) [4114N/12HHR-297](#)
[4656](#) [ZWR-903](#) [4112N12GL-175](#) [KD2406PKB2.\(2\).GN](#) [AFB1248HHE](#) [AFB1212LE-F00](#) [FAN-SCH-1](#) [MF60151V1-1000U-G99](#)
[PF80252V1-1000U-G99](#) [PF92252V1-1000U-G99](#) [4112N/2H6P](#) [4114N/17-251](#) [6212NH](#) [622/2N](#) [712F-011](#) [8218J/2NP-181](#) [W1G180-AB47-](#)
[15](#) [FAA1-12038NBKW31-A](#) [6318N/2TDP](#) [6318N/2H3PU](#) [6318HU](#) [424JMU](#) [PMD1206PTVX-A.U.GN](#) [PF80251B2-000U-F99](#)
[EF40101BX-1000U-G99](#) [AD1224LB-A71GL](#) [9GA0924L4021](#) [9GA0924M4021](#) [9GA0924M4011](#) [9GA0824B20011](#) [9GA0812A2D0011](#)
[9GA0912M4D011](#) [9GA0924W4D01](#)