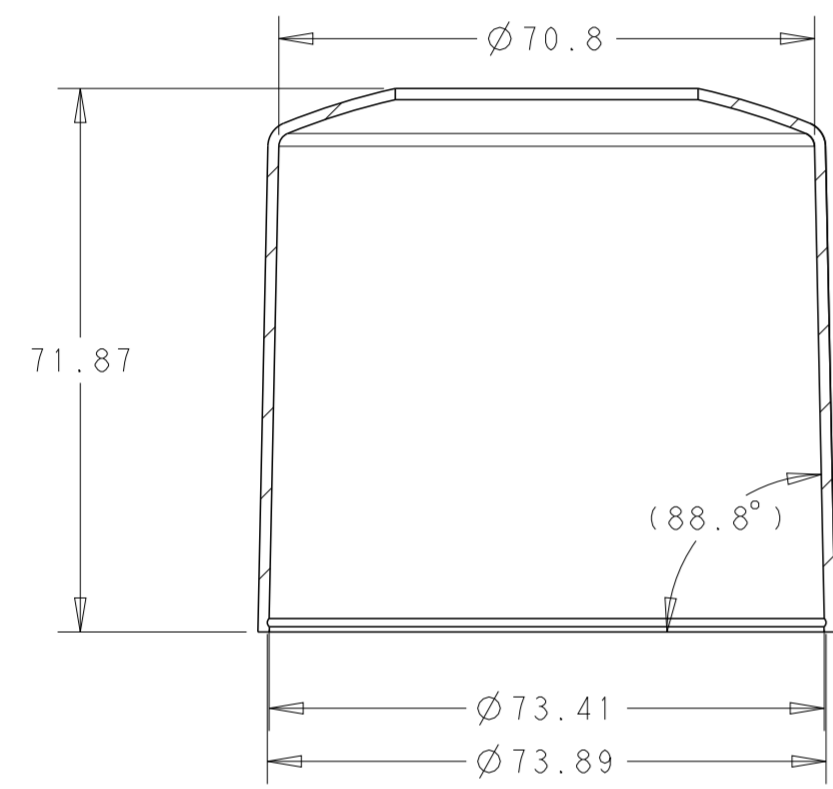
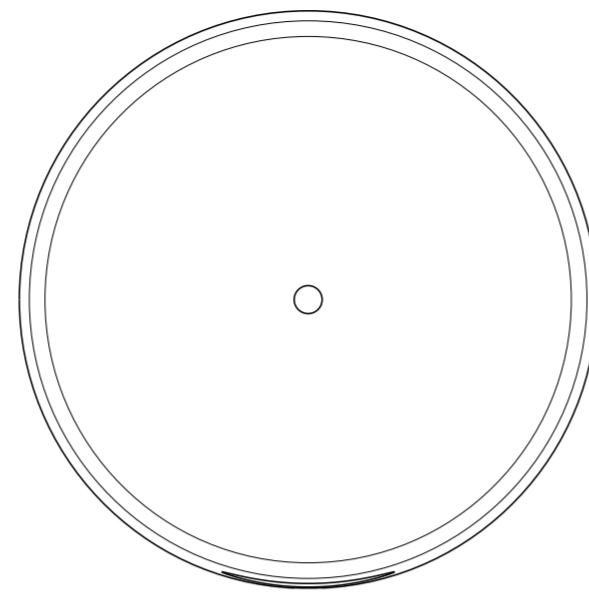
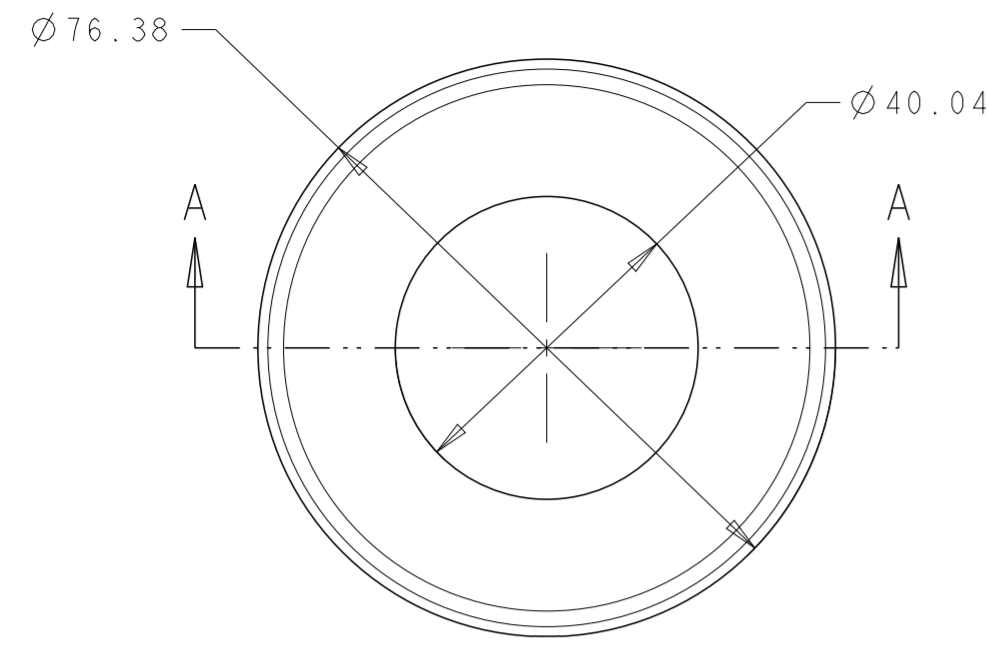
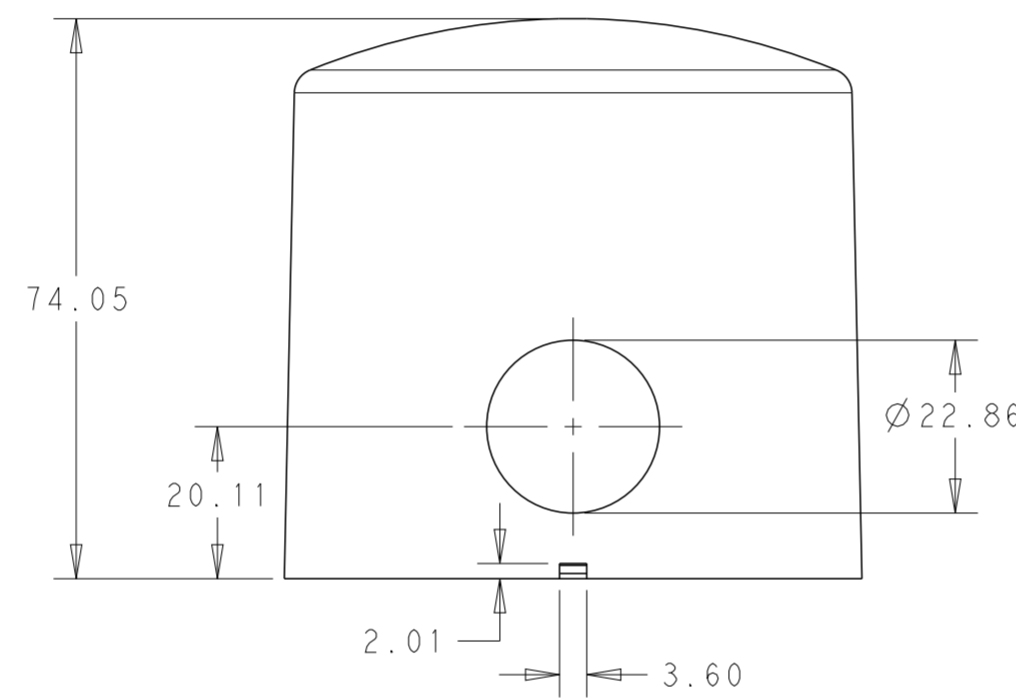


REVISIONS				
P	LTR	DESCRIPTION	DATE	APVD
A		REVISED PER ECO-17-010648	21JUL2017	RK DD
A1		REVISED PER ECO-17-014846	12OCT2017	RK DD

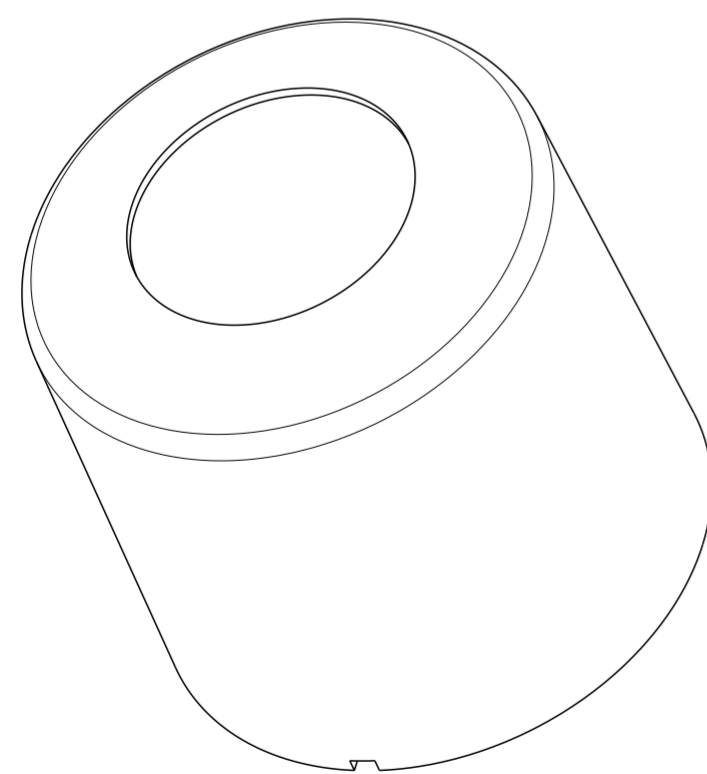


SECTION A - A

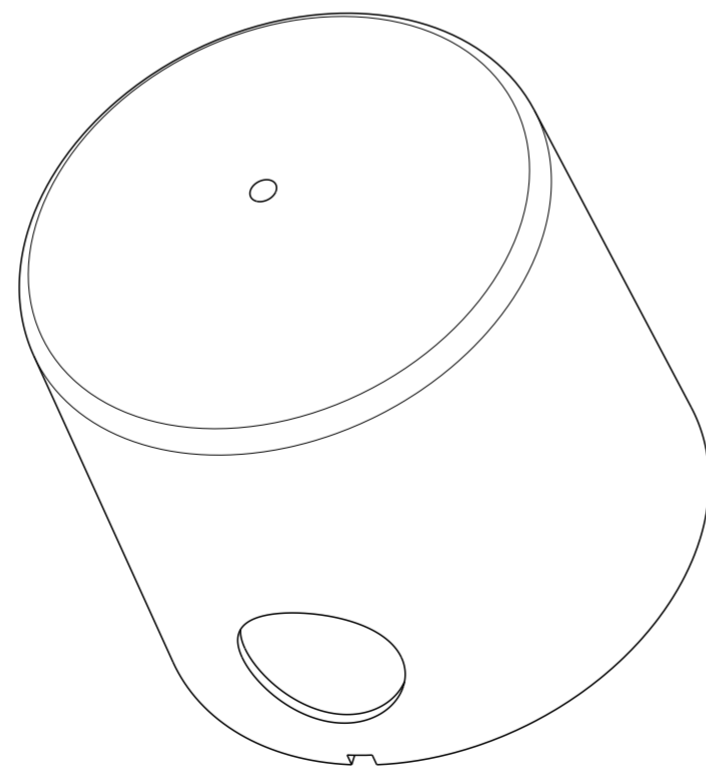


NOTES:

- 1 MATERIAL: PBT
- 2 MATING LIGHT CONTROLLER BASE ASSEMBLY TE P/N 2213871-2 AND 1-2213871-2.
- 3. THIS PRODUCT HAS NOT COMPLETED VALIDATION TESTING.
- 4 DOME P/N 2306130-1 OR 1-2306130-1 TO BE USED WITH SLEEVE P/N 2213996.
- 5 MAX ALLOWABLE PCB DIAMETER=  $\varnothing$ 72.00



2213996-1  
SHOWN



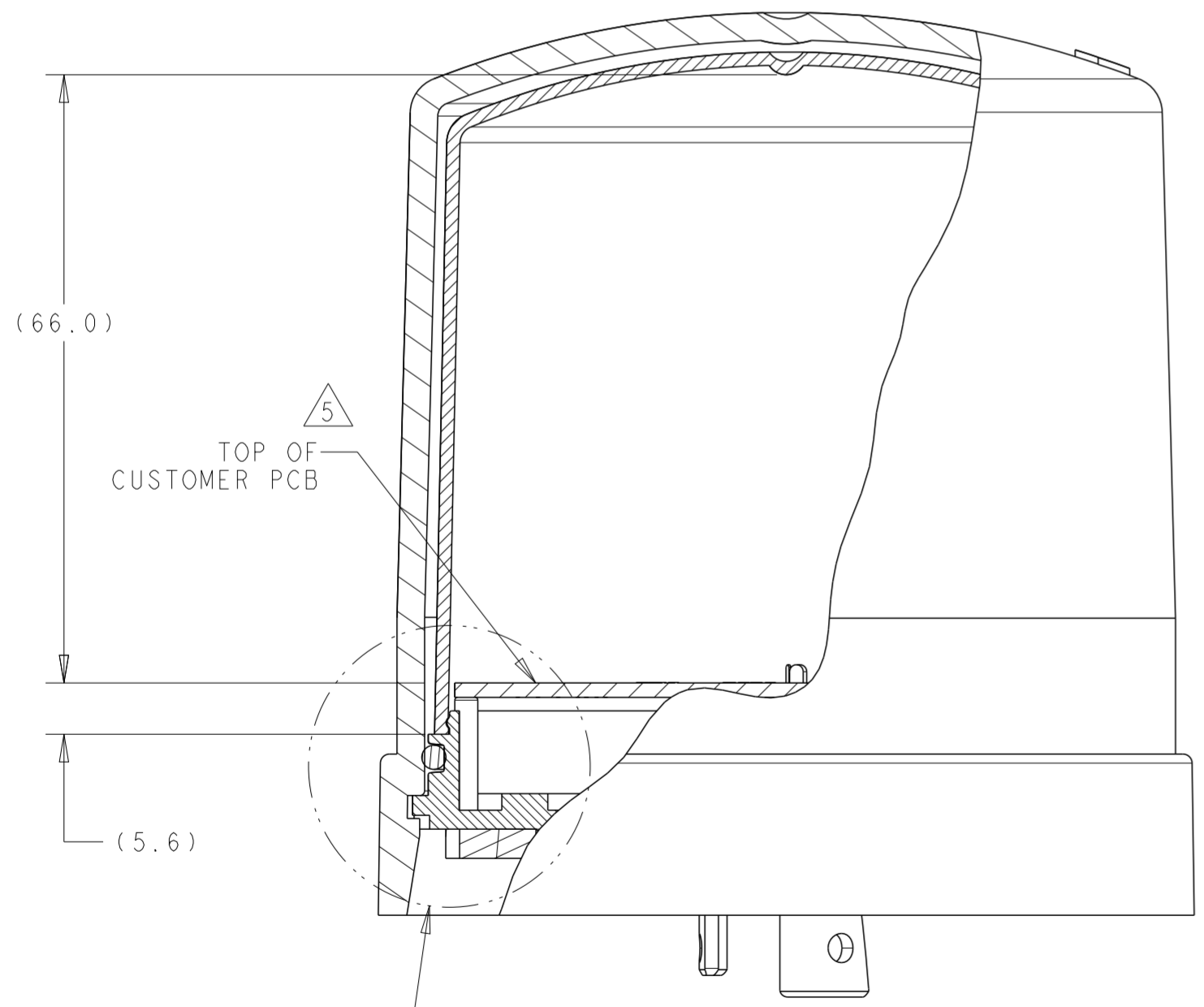
1-2213996-1  
SHOWN

SIDE HOLE	JET BLACK	1-2213996-1
TOP HOLE	JET BLACK	2213996-1
DESCRIPTION	COLOR	PART NO.

THIS DRAWING IS A CONTROLLED DOCUMENT.		DWN J. SHAFFER 13JUN2016	TE Connectivity	
		CHK E. HOWARD 13JUN2016		
DIMENSIONS:	TOLERANCES UNLESS OTHERWISE SPECIFIED:	APVD	NAME	
mm	0 PLC ± 1 PLC ±0.3 2 PLC ±0.25 3 PLC ± 4 PLC ±	-	SLEEVE, CONTROLLER, LIGHT BASE, 81MM DIA	
	ANGLES ±	PRODUCT SPEC	SIZE	CAGE CODE
	FINISH -	108-32125	A2	-
MATERIAL	1	APPLICATION SPEC	DRAWING NO	RESTRICTED TO
		114-32159	G-2213996	-
		WEIGHT	SCALE	SHEET
		-	1:1	1 OF 2
		CUSTOMER DRAWING	REV	A1

THIS DRAWING IS UNPUBLISHED. RELEASED FOR PUBLICATION 20  
 © COPYRIGHT 20 BY - ALL RIGHTS RESERVED.

REVISIONS					
P	LTR	DESCRIPTION	DATE	DWN	APVD
-	-	SEE SHEET 1	-	-	-



DETAIL A  
SCALE 3:1

SECTION B-B  
SCALE 3:2

THIS DRAWING IS A CONTROLLED DOCUMENT.		DWN J. SHAFFER 13JUN2016	TE Connectivity		
		CHK E. HOWARD 13JUN2016			
DIMENSIONS: mm		TOLERANCES UNLESS OTHERWISE SPECIFIED:		APVD -	NAME SLEEVE, CONTROLLER, LIGHT BASE, 81MM DIA
		0 PLC ±	1 PLC ±0.3	PRODUCT SPEC 108-32125	SIZE A2
MATERIAL		2 PLC ±0.25	3 PLC ±	APPLICATION SPEC 114-32159	CAGE CODE -
		4 PLC ±	ANGLES ±	WEIGHT -	DRAWING NO C-2213996
		FINISH -		CUSTOMER DRAWING	RESTRICTED TO -
				SCALE 1:1	SHEET 2 OF 2
				REV A1	

## X-ON Electronics

Largest Supplier of Electrical and Electronic Components

*Click to view similar products for [LED Lighting Fixture Accessories](#) category:*

*Click to view products by [TE Connectivity](#) manufacturer:*

Other Similar products are found below :

[1301120110](#) [1301120137](#) [1301130007](#) [1301120130](#) [1301860719](#) [1301120131](#) [1301120144](#) [1301120196](#) [2702493](#) [1-2311664-1](#) [XVBC081](#)  
[2702492](#) [2213871-2](#) [2306132-1](#) [2213805-1](#) [1-2306133-1](#) [2702527](#) [2315539-1](#) [1-2306132-1](#) [2213871-1](#) [1-2306128-1](#) [2306128-1](#) [2213996-1](#)  
[1-2306129-1](#) [1-2213871-2](#) [1-2213871-1](#) [2306130-1](#) [2306133-1](#) [1-2315539-1](#) [2306129-1](#) [1-2213805-1](#) [180997-0002](#) [180997-0001](#) [1-](#)  
[2213996-1](#) [4803](#) [4821](#) [2702312](#) [4772](#) [4773](#) [4774](#) [4775](#) [5012](#) [5014](#) [LEDASM1](#) [LEDAMM](#) [LEDCPS4](#) [SSP-CN2CN](#) [SSP-MTCV1](#)  
[1301120097](#) [1301120099](#)