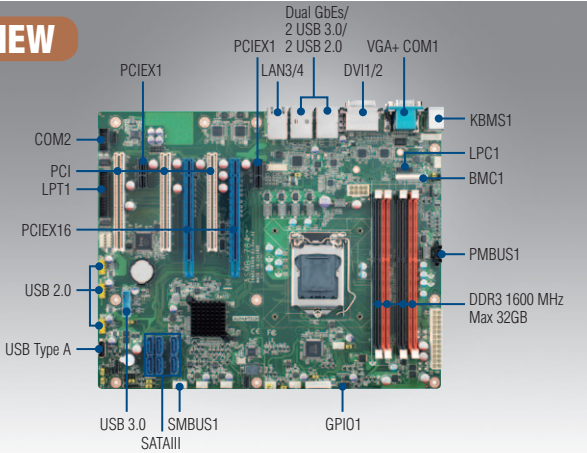


ASMB-784

LGA 1150 Intel® Xeon® E3 V3 ATX Server Board with 2 PCIe x16 slots (x8 link) or 1 PCIe x16 slot (x16 link), 3 PCI, USB 3.0, PCIe Gen III, Quad/Dual LANs

NEW



Features

- Supports LGA 1150 Intel® Xeon® E3-1200 v3 and 4th Generation Core i7/i5/i3 processors
- One Gen 3.0 PCIe x16 link or two PCIe x16 slots with x8 link, two PCIe x1 and three PCI slots
- DDR3 1600 MHz ECC/Non-ECC UDIMM up to 32GB
- Rackmount optimized placement with positive air flow design
- Support Intel vPro, AMT 9.0, IPMI (optional) and Embedded software APIs and utilities

Software APIs:



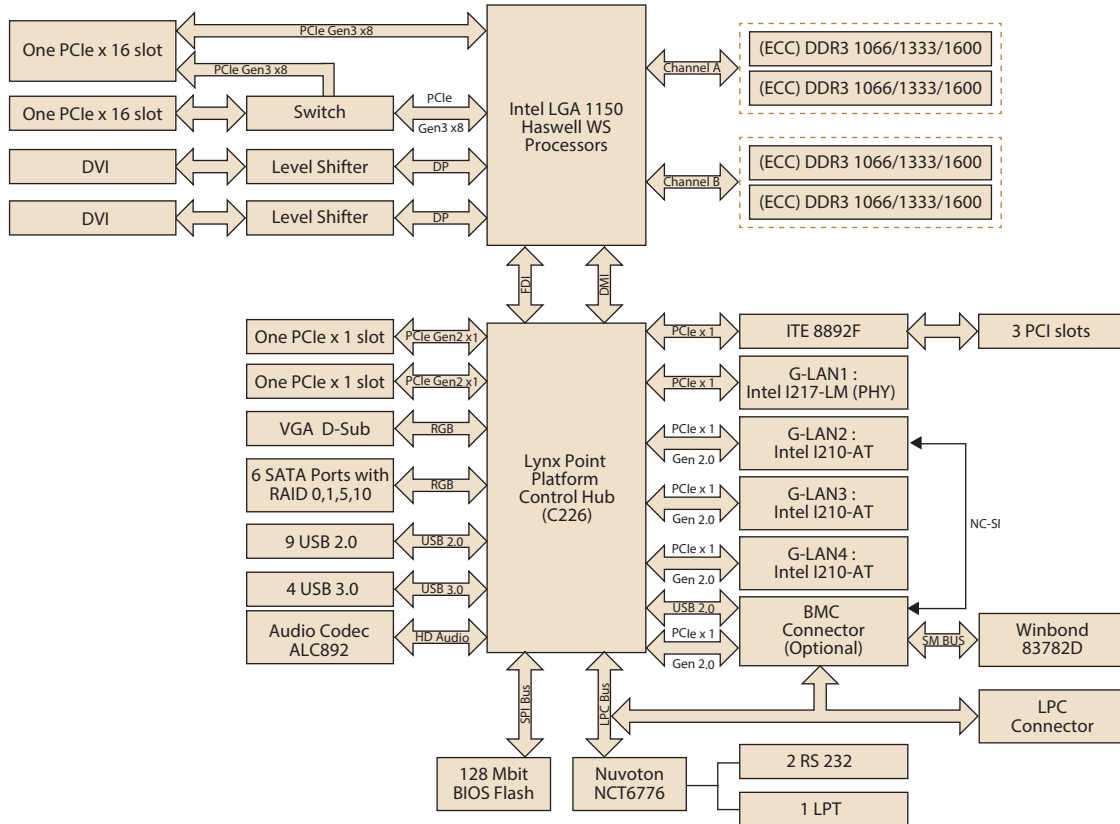
Utilities:



Specifications

Form Factor	ATX form factor												
Processor System	CPU	Xeon E3-1275 v3	Xeon E3-1225 v3	Xeon E3-1268 v3	Core i7-4770S	Core i7-4790S	Core i5-4570TE	Core i5-4590S	Core i5-4590T	Core i3-4330	Core i3-4360	Core i3-4350T	Core i3-4340TE
	Cores	4	4	4	4	4	2	4	4	2	2	2	2
	Speed	3.5	3.2	2.3	3.1	3.2	2.7	3.0	2.0	3.5	3.7	3.1	2.6
	L3 Cache	8 MB	8 MB	8 MB	8 MB	8 MB	4 MB	6 MB	6 MB	3 MB	4 MB	4 MB	4 MB
	Socket	LGA 1150											
	Chipset	Intel C226 chipset											
Memory	BIOS	AMI 128 Mbit SPI (UEFI)											
	Technology	Dual Channel DDR3 ECC/Non-ECC 1066/1333/1600 MHz (ECC function enable depends on processor supporting)											
	Max. Capacity	32 GB											
	Socket	4 x 240-pin DIMM											
Expansion Slots	Memory size	1 GB, 2 GB, 4 GB, 8 GB											
	PCI 32-bit/33 MHz	3 slots											
	PCIe x1 (Gen2)	2 slots											
Graphics	PCIe x16 (Gen3)	2 slots (One PCIe x16 link at PCIEX16_SLOT6 or switching one x16 link to two x8 links when PCIEX16_SLOT4 is occupied with jumper setting)											
	Controller	Intel HD Graphics											
Storage	VRAM	1 GB maximum shared memory with 2 GB and above system memory installed											
	SATA controller	Intel C226: 6 SATA3 6 Gb/s ports with Intel Matrix Storage support (for Windows only)											
Ethernet	SAS controller	-											
	Interface	10/100/1000 Mbps											
	Controller	GbE LAN1: Intel I217-LM; GbE LAN 2-4: Intel I210-AT											
Internal Connectors	Connector	RJ-45 x 2 for G2 version; RJ-45 x 4 for G4 version											
	Printer Port connector	1											
	PSU connector	24-pin SSI power connector + 8-pin SSI 12 V power connector											
	USB connector	2 USB 3.0; 7 USB 2.0 (1 x USB Type-A)											
	Fan header	5 x 4pin											
	SMBus	2											
	Chassis intruder	1											
	Front LAN LED	2											
	Serial port header	1 (RS-232)											
	Audio Connector	1 (ALC 892)											
Rear I/O Connectors	PS/2 KB/Mouse	1											
	External serial port	1											
	External USB port	4 (2 USB 3.0 and 2 USB 2.0)											
	VGA port	1											
	DVI	2											
	Display Port	-											
	RJ-45	2 for G2 version. 4 for G4 version											
Watchdog Timer	PS/2 KB/mouse	2											
	Output	System reset											
Power Requirement	Interval	Programmable 1 ~ 255 sec											
	Power On	Intel Xeon E3-1275v3 3.5GHz; DDR3 8G x4											
		3.3 V	5 V	12 V		12V_8P	5 Vsb		-12 V				
Environment		1.17A	2.30A	0.06A		4.33A	0.16A					0.01A	
	Operating	Non-operating											
	Temperature	0 ~ 60° C (32 ~ 140° F)						-40 ~ 85° C (-40 ~ 185° F)					
Physical Characteristics	Humidity	0% ~ 90%						5% ~ 95% (Non-condensing)					
	Dimensions	304.8 x 244 mm (12" x 9.6")											

Block Diagram



Ordering Information

Part Number	Chipset	LAN	USB 3.0	DVI	SATAIII	IPMI
ASMB-784G2-00A1E	C226	2	4	2	6	Optional
ASMB-784G4-00A1E	C226	4	4	2	6	Optional

Packing List

Part Number	Description	Quantity
2066S78402	Driver CD	x 1
2006S78410	Startup manual	x 1
1700003194	SATA data cables	x 2
1703150102	SATA power cables	x 2
19Z0000502T000	I/O shield	x 1

Bracket View



ASMB-784G4-00A1E



ASMB-784G2-00A1E

Optional Accessories

Part Number	Description
1700002204	Dual port USB 2.0 cable (27 cm) with bracket
1700008461	Four port USB 2.0 cable (30.5 cm) with bracket
1960047669N001	LGA 1150/1155/1156 CPU cooler for 4U and wallmount chassis
1960047831N001	LGA 1150/1155/1156 CPU cooler for 2U and wallmount chassis
1960052651N001	LGA 1150/1155/1156 CPU cooler for 2U and wallmount chassis
1700008809	Printer port cable kit (25 cm)
1700020294-01	Printer port cable kit (42 cm)
1701090401	COM port cable with bracket
1700020277-01	Dual port USB 3.0 cable with bracket
AIMB-AUDIO-HDA1E	HD Audio-Card
1960049408N001	LGA 1150/1155/1156 1U CPU Cooler and supports up to 73W processor
IPMI-1000-00A1E	IPMI 2.0 Module
PCA-TPM-00A1E	TPM Module with Infineon TPM 1.2 solution

Note 1: It's a must to install PCA-TPM-00A1E for enabling Intel vPro feature.

Note 2: Purchasing ASMB-784's proprietary CPU cooler from Advantech is a must. Other brands' CPU coolers are NOT compatible with ASMB-784.

X-ON Electronics

Largest Supplier of Electrical and Electronic Components

Click to view similar products for [USB Cables / IEEE 1394 Cables](#) category:

Click to view products by [Advantech](#) manufacturer:

Other Similar products are found below :

[68768-0173](#) [FNY-W6003-01](#) [88764-0800](#) [148700-1](#) [17-200621](#) [17-250051P](#) [954](#) [AC102012-2](#) [IP-USB1\(C10\)S-RW](#) [CABLE/RTP/USB/DT](#)
[RS232-GTD](#) [USBFTVX2SA2N03A](#) [USBFTV2SA2N03A](#) [1689404-1](#) [FTP-629Y401](#) [FTP-628Y402](#) [943301-001](#) [FNY-W6022](#) [FNY-W6003-](#)
[03](#) [1310-1015-05](#) [1310-1018-04](#) [1310-1019-04](#) [UA-30AMFM-SL7B02](#) [UA-30AMFM-SL7B01](#) [UA-30AFM-LD7B03](#) [UA-30AMFM-](#)
[SL7B03](#) [USBAPSCC7202A](#) [UES-1001A160](#) [UES-1003A160](#) [USBFTVX7SA2N20A](#) [USBFTVX2SA2N20A](#) [USBFTV2PEMSA2N10A](#)
[FTP-629Y602](#) [USBCAMCM100](#) [USB A/F*2 to 2.54 2*5P-SH L=400mm](#) [EP-CBUSB10P2FLT](#) [1310-1037-04](#) [ASR-USB](#) [68784-0075](#) [17-](#)
[241361](#) [17-230471](#) [217B-BC02](#) [USB-29](#) [19800-010500-200-RS](#) [USB+MINI DIN 6P WITH BKT](#) [84729-0025](#) [088738-8100](#) [106413-4410](#)
[106413-4405](#) [CP30206NM3B](#)