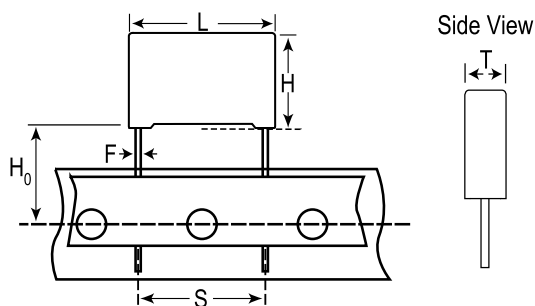


KEMET Part Number: PHE426MK4330JR17T0
(F426KG332J630L, PHE426MK4330JK01R17T0)

Capacitor, Film, Metallized Polypropylene, 3300 pF, +/-5% Tol, -55/+105C, Pulse, 630 VDC@85C, Lead Spacing=7.5 mm, Not For New Design, Please Check Possible Alternative Parts (AltPart)



General Information	
Supplier:	KEMET
Dielectric:	Metallized Polypropylene
Application:	Pulse
Style:	Radial Box
Lead Form:	Wire Leads
Features:	Pulse
RoHS:	Yes

Dimensions (mm)		
Symbol	Dimension	Tolerance
L	10	MAX
H	8	MAX
T	4	MAX
S	7.5	+/-0.4
F	0.6	NOM
H0	17	NOM

Specifications	
Capacitance:	3300 pF
Voltage:	630 VDC
Tolerance:	+/-5%
Voltage AC:	250 VAC
Voltage:	466 VDC (105C)
Rated Temperature:	85C
Temperature Range:	-55/+105C
Dissipation Factor @ 1 kHz:	0.05%
Dissipation Factor @ 100kHz:	0.25%
Insulation Resistance:	100 GOhm
Inductance:	6
Maximum dVdT:	200 v/us
Miscellaneous:	Not For New Design, Please Check Possible Alternative Parts (AltPart)

Packaging Specifications	
Package Kind:	T&R
Package Size:	Standard
Package Quantity:	1700

X-ON Electronics

Largest Supplier of Electrical and Electronic Components

Click to view similar products for [Film Capacitors](#) category:

Click to view products by [Kemet](#) manufacturer:

Other Similar products are found below :

[F339X134748MIP2T0](#) [F450KG153J250ALH0J](#) [750-1018](#) [FKP1-1500160010P15](#) [FKP1R031007D00JYSD](#) [FKP1R031507E00JYSD](#)
[FKP1U024707E00KYSD](#) [82DC4100CK60J](#) [82EC1100DQ50K](#) [PFR5101J100J11L16.5TA18](#) [PME261JB5220KR19T0](#) [A451GK223M040A](#)
[A561ED221M450A](#) [QXJ2E474KTPT](#) [QXL2B333KTPT](#) [R49AN347000A1K](#) [EEC2G505HQA406](#) [B25668A6676A375](#) [B25673A4282E140](#)
[BFC233868148](#) [BFC2370GC222](#) [C3B2AD44400B20K](#) [C4ASWBU3220A3EK](#) [CB027C0473J--](#) [CB177I0184J--](#) [CB182K0184J--](#) [23PW210](#)
[950CQW5H-F](#) [SBDC3470AA10J](#) [SCD105K122A3-22](#) [2N3155](#) [A571EH331M450A](#) [FKP1-2202KV5P15](#) [FKS3-680040010P10](#)
[QXL2E473KTPT](#) [445450-1](#) [B25669A3996J375](#) [46KI322000M1M](#) [46KR415050M1K](#) [4BSNBX4100ZBFJ](#) [MKP383510063JKP2T0](#)
[MKPY2-.02230020P15](#) [MKT 1813-368-015](#) [4055292001](#) [46KN410000N1K](#) [EEC2E106HQA405](#) [EEC2G205HQA402](#) [EEC2G805HQA415](#)
[P409CP224M250AH470](#) [82EC2150DQ50K](#)