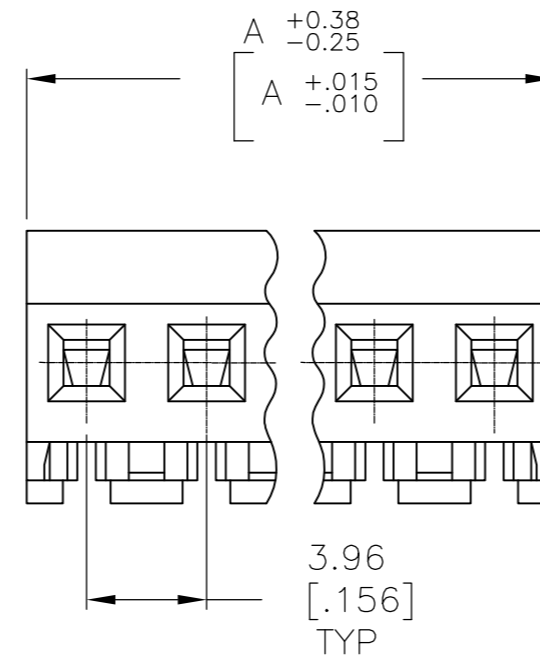
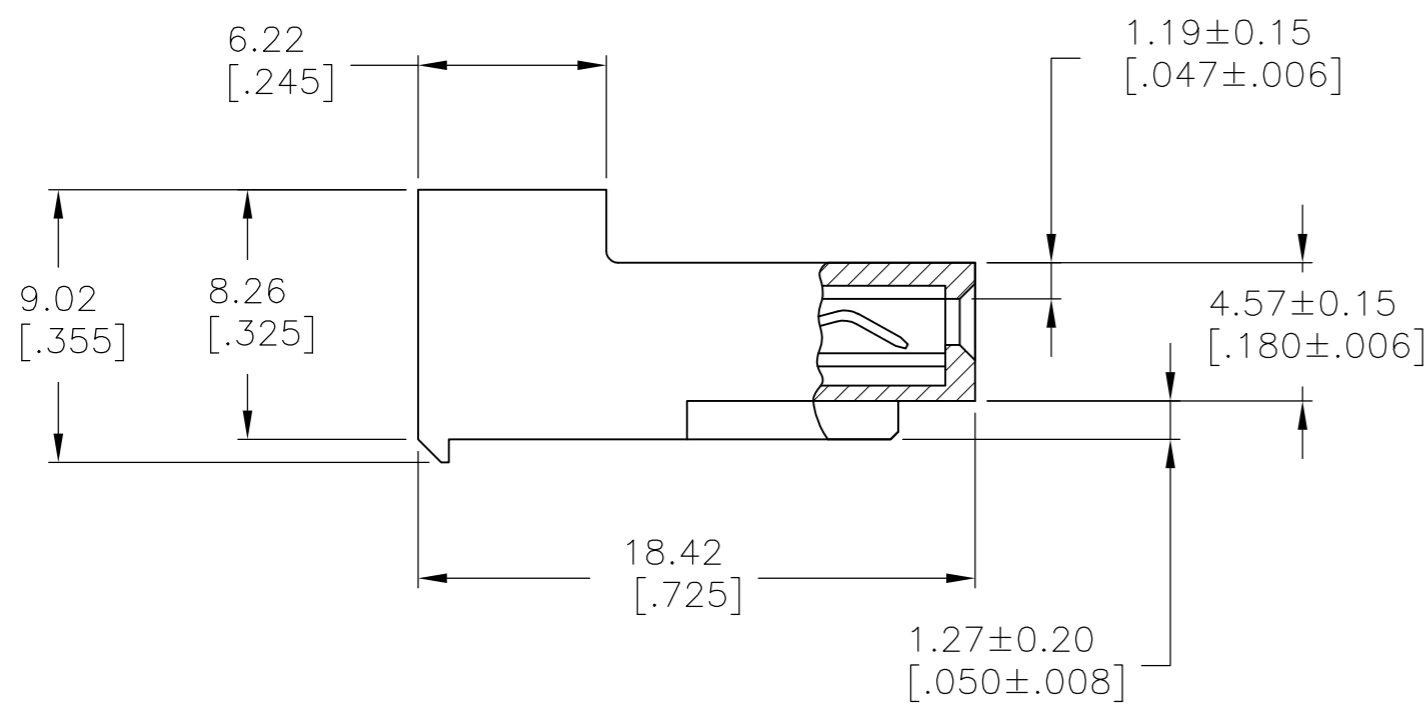
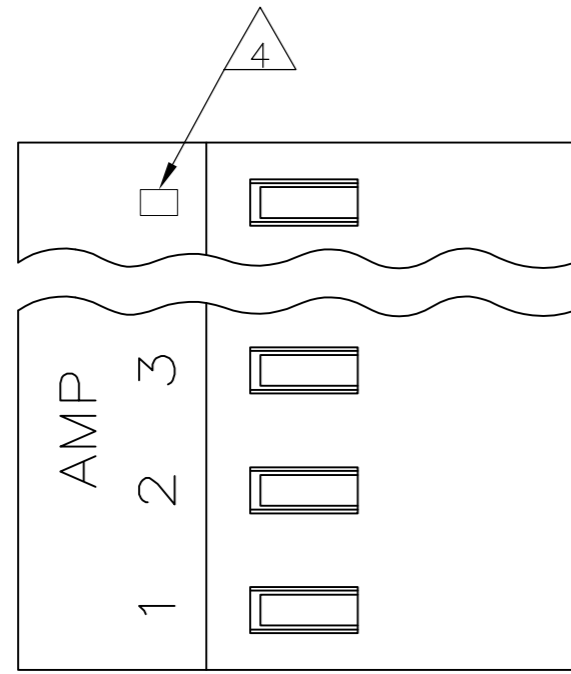


THIS DRAWING IS UNPUBLISHED. RELEASED FOR PUBLICATION  
 © COPYRIGHT - By - TE CONNECTIVITY ALL RIGHTS RESERVED.

LOC	DIST	REVISIONS			
P	LTR	DESCRIPTION	DATE	DWN	APVD
CM	54	U2	REVISED PER ECR-17-018319	12JAN2018	BDA SG



95.10	[3.744]	24	5-640435-4
91.14	[3.588]	23	5-640435-3
87.17	[3.432]	22	5-640435-2
83.21	[3.276]	21	5-640435-1
79.25	[3.120]	20	5-640435-0
75.29	[2.964]	19	4-640435-9
71.32	[2.808]	18	4-640435-8
67.36	[2.652]	17	4-640435-7
63.40	[2.496]	16	4-640435-6
59.44	[2.340]	15	4-640435-5
55.47	[2.184]	14	4-640435-4
51.51	[2.028]	13	4-640435-3
47.55	[1.872]	12	4-640435-2
43.59	[1.716]	11	4-640435-1
39.62	[1.560]	10	4-640435-0
35.66	[1.404]	9	3-640435-9
31.70	[1.248]	8	3-640435-8
27.74	[1.092]	7	3-640435-7
23.77	[.936]	6	3-640435-6
19.81	[.780]	5	3-640435-5
15.85	[.624]	4	3-640435-4
11.89	[.468]	3	3-640435-3
7.92	[.312]	2	3-640435-2

7	SUPERSEDED BY 5-640435-4	95.10	[3.744]	24	2-640435-4
7	SUPERSEDED BY 5-640435-3	91.14	[3.588]	23	2-640435-3
7	SUPERSEDED BY 5-640435-2	87.17	[3.432]	22	2-640435-2
7	SUPERSEDED BY 5-640435-1	83.21	[3.276]	21	2-640435-1
7	SUPERSEDED BY 5-640435-0	79.25	[3.120]	20	2-640435-0
7	SUPERSEDED BY 4-640435-9	75.29	[2.964]	19	1-640435-9
7	SUPERSEDED BY 4-640435-8	71.32	[2.808]	18	1-640435-8
7	SUPERSEDED BY 4-640435-7	67.36	[2.652]	17	1-640435-7
7	SUPERSEDED BY 4-640435-6	63.40	[2.496]	16	1-640435-6
7	SUPERSEDED BY 4-640435-5	59.44	[2.340]	15	1-640435-5
7	SUPERSEDED BY 4-640435-4	55.47	[2.184]	14	1-640435-4
7	SUPERSEDED BY 4-640435-3	51.51	[2.028]	13	1-640435-3
7	SUPERSEDED BY 4-640435-2	47.55	[1.872]	12	1-640435-2
7	SUPERSEDED BY 4-640435-1	43.59	[1.716]	11	1-640435-1
7	SUPERSEDED BY 4-640435-0	39.62	[1.560]	10	1-640435-0
7	SUPERSEDED BY 3-640435-9	35.66	[1.404]	9	640435-9
7	SUPERSEDED BY 3-640435-8	31.70	[1.248]	8	640435-8
7	SUPERSEDED BY 3-640435-7	27.74	[1.092]	7	640435-7
7	SUPERSEDED BY 3-640435-6	23.77	[.936]	6	640435-6
7	SUPERSEDED BY 3-640435-5	19.81	[.780]	5	640435-5
7	SUPERSEDED BY 3-640435-4	15.85	[.624]	4	640435-4
7	SUPERSEDED BY 3-640435-3	11.89	[.468]	3	640435-3
7	SUPERSEDED BY 3-640435-2	7.92	[.312]	2	640435-2

1 MATERIAL: CONNECTOR - NYLON UL94V-2 (BLUE).  
 CONTACTS - 0.30[.012] THICK COPPER ALLOY  
 BRIGHT TIN-LEAD 0.00203[.000080] MIN THICK  
 FOR CONTACT 640435-2 THRU 2-640435-4  
 MATTE WHISKER MITIGATED TIN 0.00203[.000080]  
 MIN THICKNESS OVER NICKEL UNDERPLATE FOR  
 3-640435-2 THRU 5-640435-4

2 CONTACTS ACCEPT 26 AWG WIRE WITH 2.41[.095] MAX INSULATION DIAMETER.  
 3 CONTACTS MUST ACCEPT 1.14±0.03[.045±.001] SQUARE POST AND REMAIN LOCKED IN POSITION.

4 IDENTIFICATION NUMBER FOR LAST CIRCUIT MAY NOT APPEAR ON ALL ASSEMBLIES.

5 DIMENSIONS IN BRACKETS ARE IN INCHES.

6 HOUSING FEATURES ARE: CLOSED END WITHOUT LOCKING RAMP.

7 OBSOLETE PARTS: OBSOLETE CIS STREAMLINING PER D.RENAUD/D.SINISI\

8 OBSOLETE PARTS

THIS DRAWING IS A CONTROLLED DOCUMENT.		DWN B.LEWIS 12-2-91				
DIMENSIONS: mm [INCHES]		CHK R.SWING 12-2-91				
TOLERANCES UNLESS OTHERWISE SPECIFIED:		APVD D.CLARK 19-2-91	NAME MTA-156 CONNECTOR ASSEMBLY, 26 AWG, STANDARD			
0 PLC ± -		PRODUCT SPEC 108-1051	SIZE A2	CAGE CODE 00779	DRAWING NO C=640435	RESTRICTED TO -
1 PLC ± -		APPLICATION SPEC 114-1020	SCALE 4:1		SHEET 1 OF 1	REV U2
2 PLC ± -		WEIGHT	CUSTOMER DRAWING			
3 PLC ± 0.13 [.005]						
4 PLC ± -						
ANGLES ± -						
FINISH 1						

## X-ON Electronics

Largest Supplier of Electrical and Electronic Components

*Click to view similar products for [Headers & Wire Housings](#) category:*

*Click to view products by [TE Connectivity](#) manufacturer:*

Other Similar products are found below :

[95000-104TRLF](#) [10135584-644402LF](#) [DF62W-EP2022PCA](#) [95000-106TRLF](#) [DF62W-2022SCA](#) [DF62W-EP2022PC](#) [2203348](#) [DF62W-2022SC](#) [1084018](#) [1029039](#) [1084017](#) [802-10-012-10-002000](#) [1112640](#) [1112639](#) [000-34000](#) [0009482033](#) [0009507031](#) [57102-S06-03LF](#) [57202-S52-04LF](#) [PCN6-15S-2.5E](#) [0039019024](#) [58102-G61-06LF](#) [582553-1](#) [0009485154](#) [0009508121](#) [0022285053](#) [0050291907](#) [018731A](#) [LY20-4P-DT1-P1E-BR](#) [02.125.8002.8](#) [60101931](#) [60598-1 \(Cut Strip\)](#) [M1625-3R/100](#) [61062-3](#) [61082-181009](#) [636-1427](#) [638009-1](#) [641938-9](#) [641991-4](#) [644168-1](#) [647662-1](#) [65039-019ELF](#) [65817-002LF](#) [65817-015LF](#) [65863-015LF](#) [66207-023LF](#) [67016-026LF](#) [67046-001LF](#) [67095-007LF](#) [67230-005LF](#)