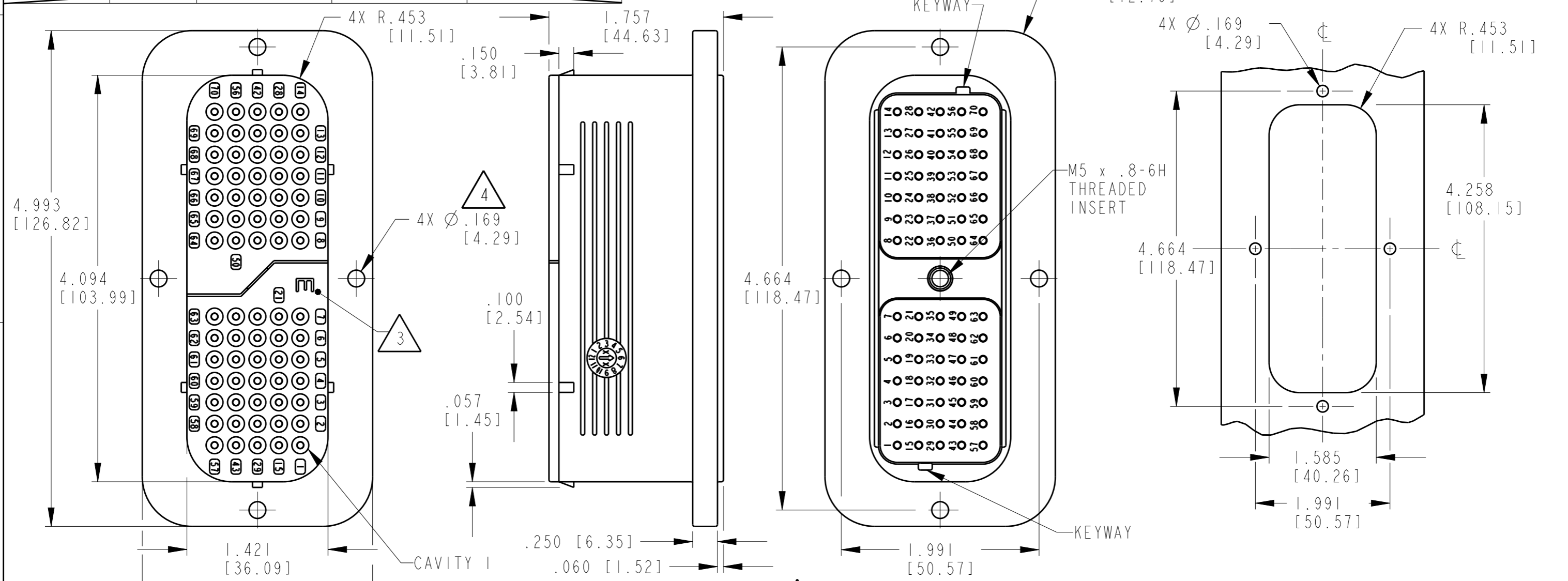


THIS DRAWING IS UNPUBLISHED  
 RELEASED FOR PUBLICATION 2017  
 © COPYRIGHT 2017 BY - TE CONNECTIVITY ALL RIGHTS RESERVED.

LOC		DIST		REVISIONS		
P	LTR	DESCRIPTION	DATE	DWN	APVD	
	E	REVISE PER ECO-13-013495	20JUN2013	JA	DH	
	F	REVISED PER PCN E-17-006278	13APR2017	CM	DM	

SEAL TYPE	CONTACT SIZE	MIN. INSUL. OD [mm]	MAX. INSUL. OD [mm]	WIRE RANGE [mm <sup>2</sup> ] REF ONLY
3	NORMAL	.100 [2.540]	.134 [3.404]	14-18 AWG [2.0-.75]
E	E	.053 [1.346]	.120 [3.048]	14-20 AWG [2.0-.50]
T	T	.088 [2.235]	.134 [3.404]	14-20 AWG [2.0-.50]



TE INTERNAL PN	DEUTSCH PN
DRC12-70PB	DRC12-70PB
DRC12-70PBE	DRC12-70PBE

4. RECOMMENDED SCREW: 8-32 [M4]. TORQUE: 20-25 IN-LB [2.26-2.82 Nm].

3. WHEN X = E: LETTER "E" IDENTIFIES "E" WIRE SEAL.  
 WHEN X = T: BROWN WELD CAPS IDENTIFIES "T" WIRE SEAL  
 WHEN X = BLANK: IDENTIFIES "NORMAL" WIRE SEAL

2. THIS PART MATES WITH DRC16-70SAX-XXXX.  
 (XXXX= ALL MODIFICATIONS) CONSULT FACTORY FOR MODS.

NOTES: 1. RECEPTACLE IS SUPPLIED WITH DUST CAP (NOT SHOWN).

5. MATERIAL:  
 HOUSING: PPS GF40 (BLACK)  
 GROMMET: VMQ (RED-ORANGE)  
 THREADED INSERT: STAINLESS STEEL.

THIS DRAWING IS A CONTROLLED DOCUMENT.		DWN 20JUN2013 JAIME C. APOSTOL			
DIMENSIONS: INCHES [mm]		CHK 20JUN2013 DANIEL HASIBUAN			
TOLERANCES UNLESS OTHERWISE SPECIFIED:		APVD 20JUN2013 DANIEL HASIBUAN		NAME RECEPTACLE, FLANGED, 70 PIN KEY B	
0 PLC ±		PRODUCT SPEC 0425-015-0000		SIZE A3	
1 PLC ±		APPLICATION SPEC 0425-015-0000		CAGE CODE 4AFU8	
2 PLC ±		WEIGHT 192.71g		DRAWING NO DRC12-70PBX	
3 PLC ±.025 [.64]		Customer Drawing		RESTRICTED TO -	
4 PLC ±		SCALE		SHEET OF REV F	
ANGLES ±0°30'0"					
MATERIAL 5					
FINISH					

## X-ON Electronics

Largest Supplier of Electrical and Electronic Components

*Click to view similar products for [Automotive Connectors](#) category:*

*Click to view products by [TE Connectivity](#) manufacturer:*

Other Similar products are found below :

[003-018-000](#) [600858](#) [60403001](#) [60993906-B](#) [60993913-B](#) [629515004020001](#) [M902-2131](#) [M902-2161](#) [M902-2344](#) [72.330.1035.1](#)  
[73.353.4028.0](#) [F118010](#) [F119300-B](#) [F132210](#) [F132210-B](#) [F166900](#) [F180100](#) [F258300](#) [F258300-B](#) [F294300-B](#) [F339100](#) [F339700](#) [F358300-](#)  
[B](#) [F374110](#) [F407400](#) [F412210](#) [F427600](#) [F444110](#) [F487000](#) [F495100-B](#) [F500900-B](#) [F509500B-B](#) [770444-1](#) [776880-1](#) [827153-1](#) [881735-1](#)  
[8N1515-32-24P](#) [9-1326729-8](#) [925467-1](#) [925474-1](#) [928905-1](#) [936398-2](#) [964562-1](#) [964562-4](#) [964731-2](#) [965051-1](#) [968782-1](#) [GT17SA-8DS-](#)  
[HU](#) [GT17VS-10DP-5.2CF](#) [98315-0001](#)